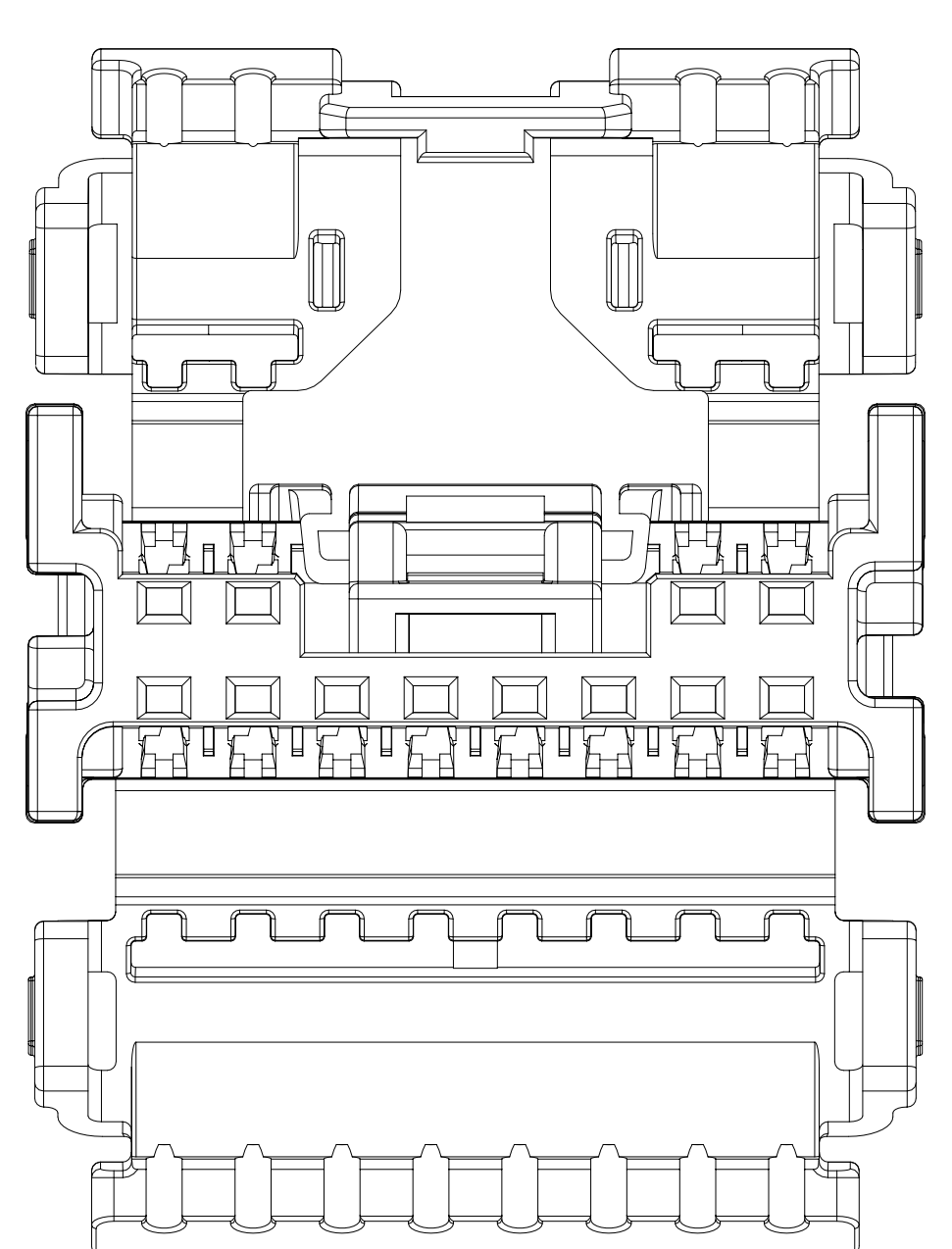
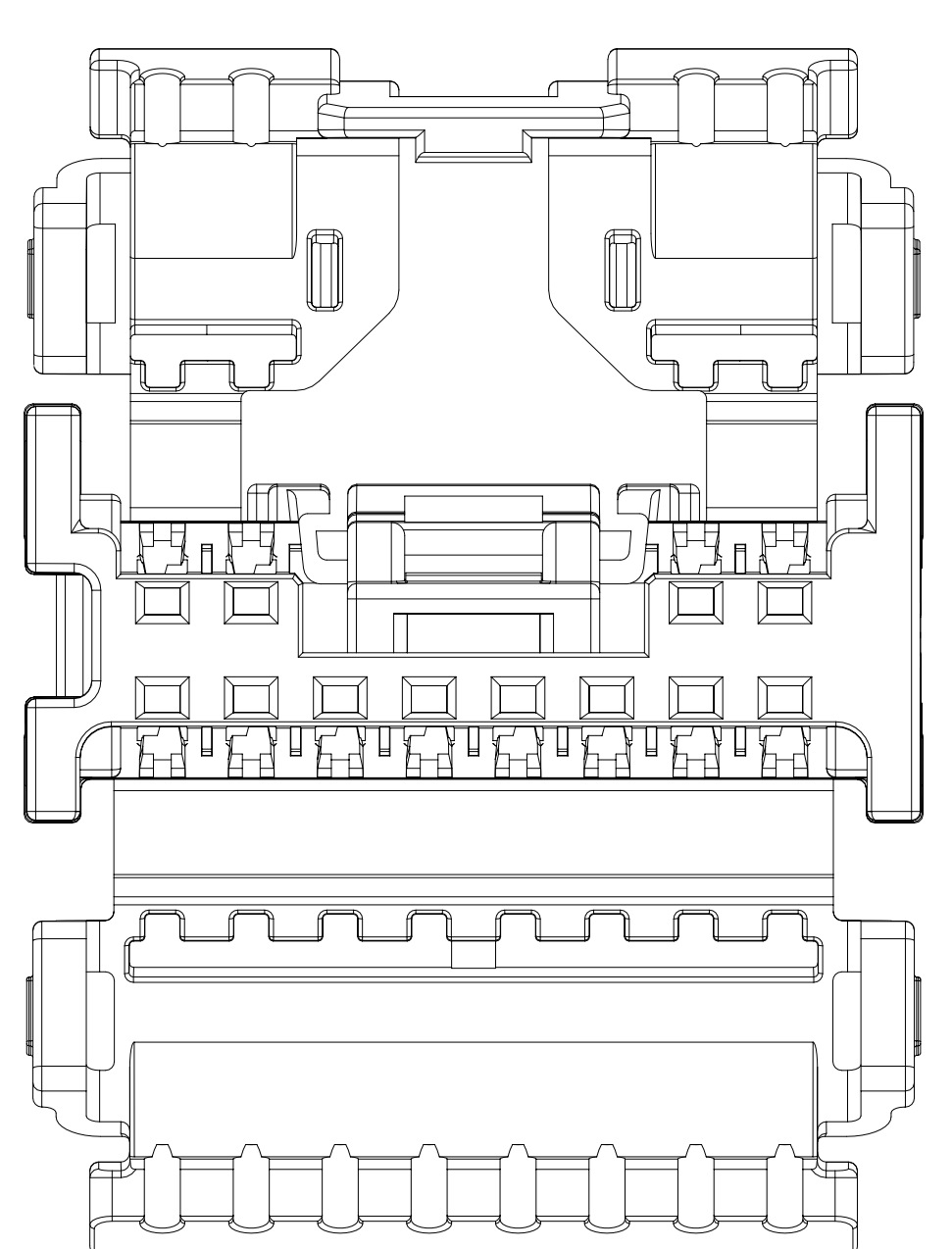


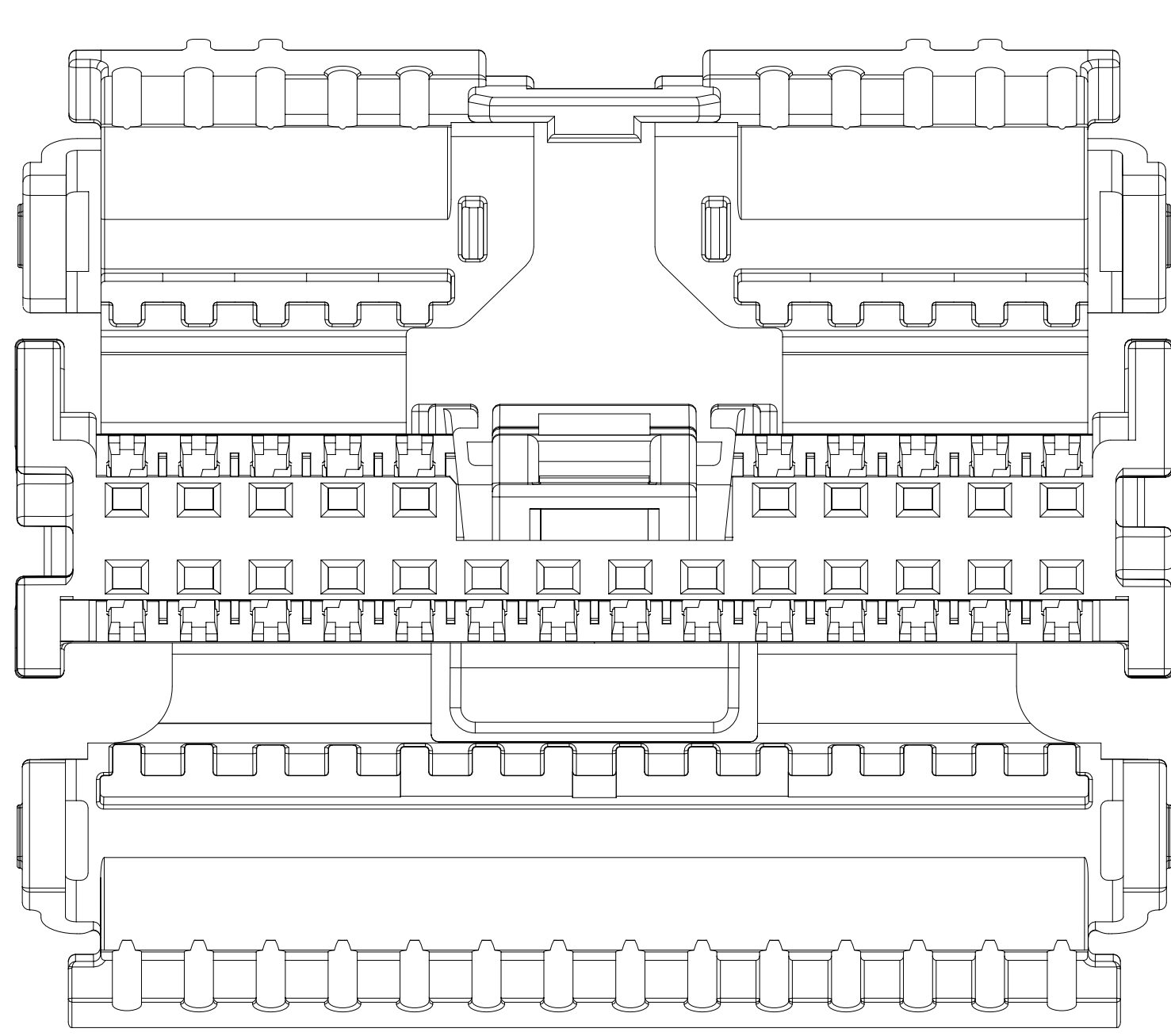
12 CIRCUIT POLARIZATION A



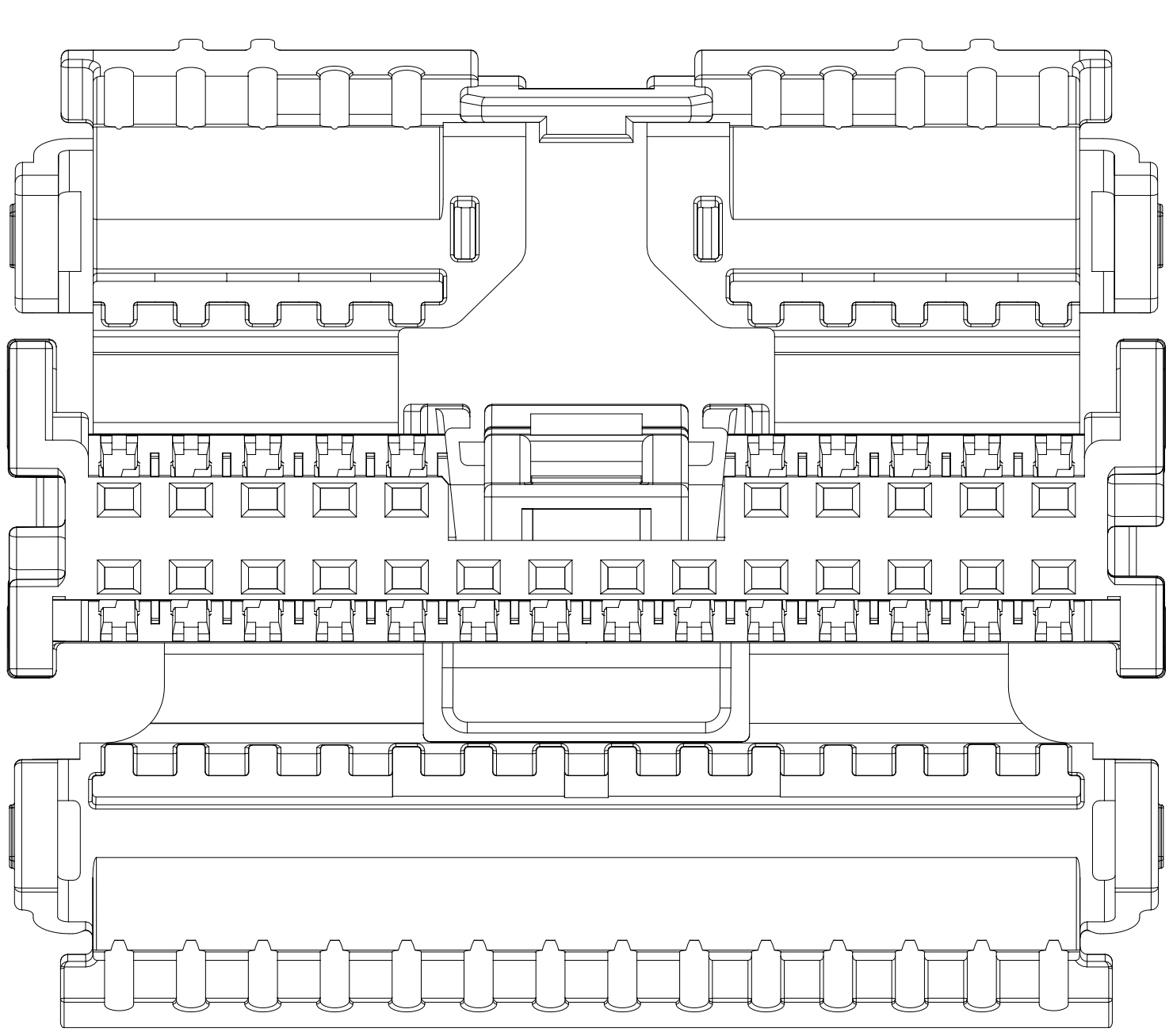
12 CIRCUIT POLARIZATION B



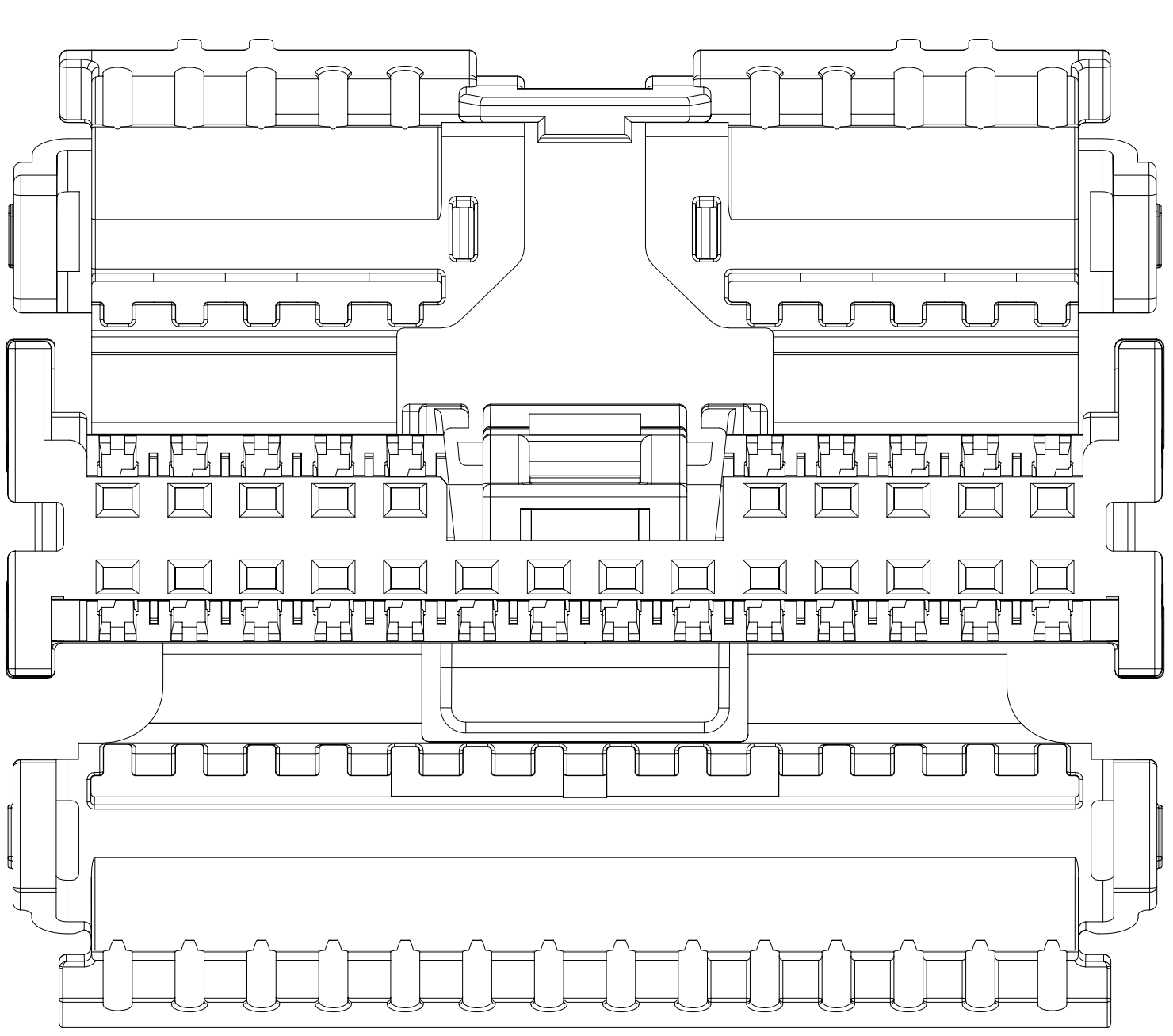
12 CIRCUIT POLARIZATION C



24 CIRCUIT POLARIZATION A



24 CIRCUIT POLARIZATION B

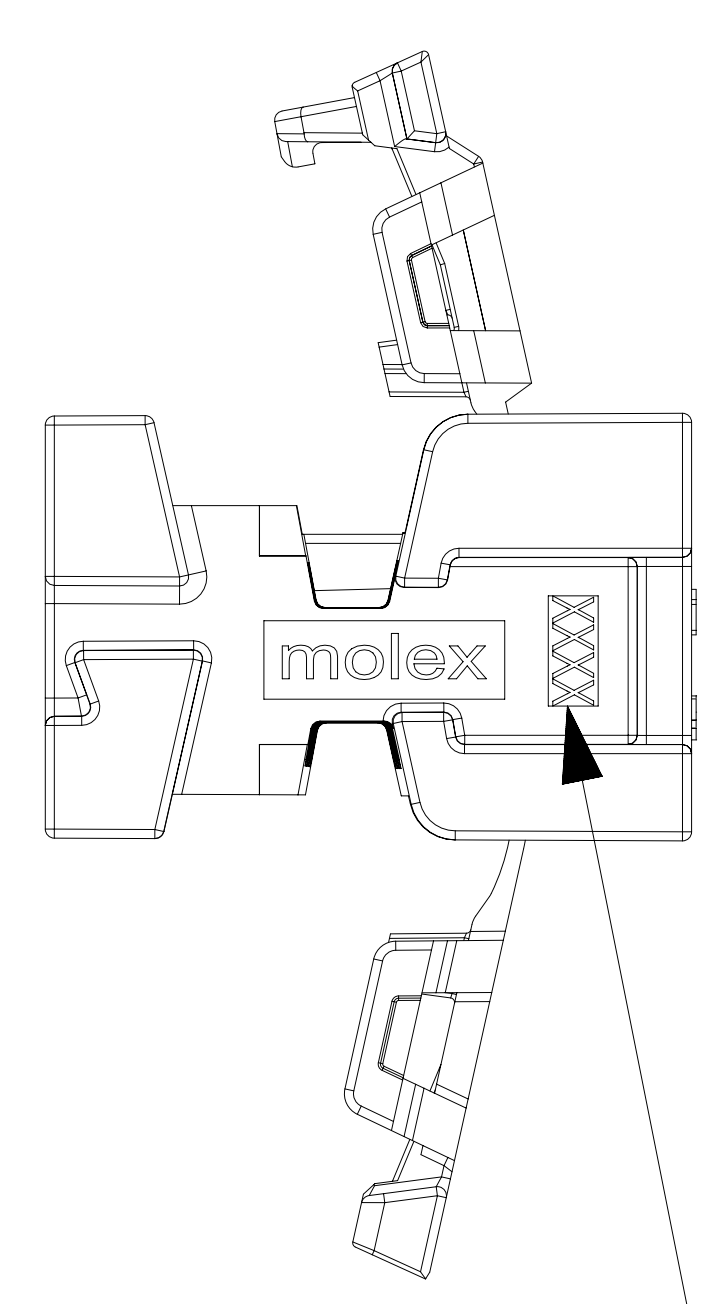


24 CIRCUIT POLARIZATION C

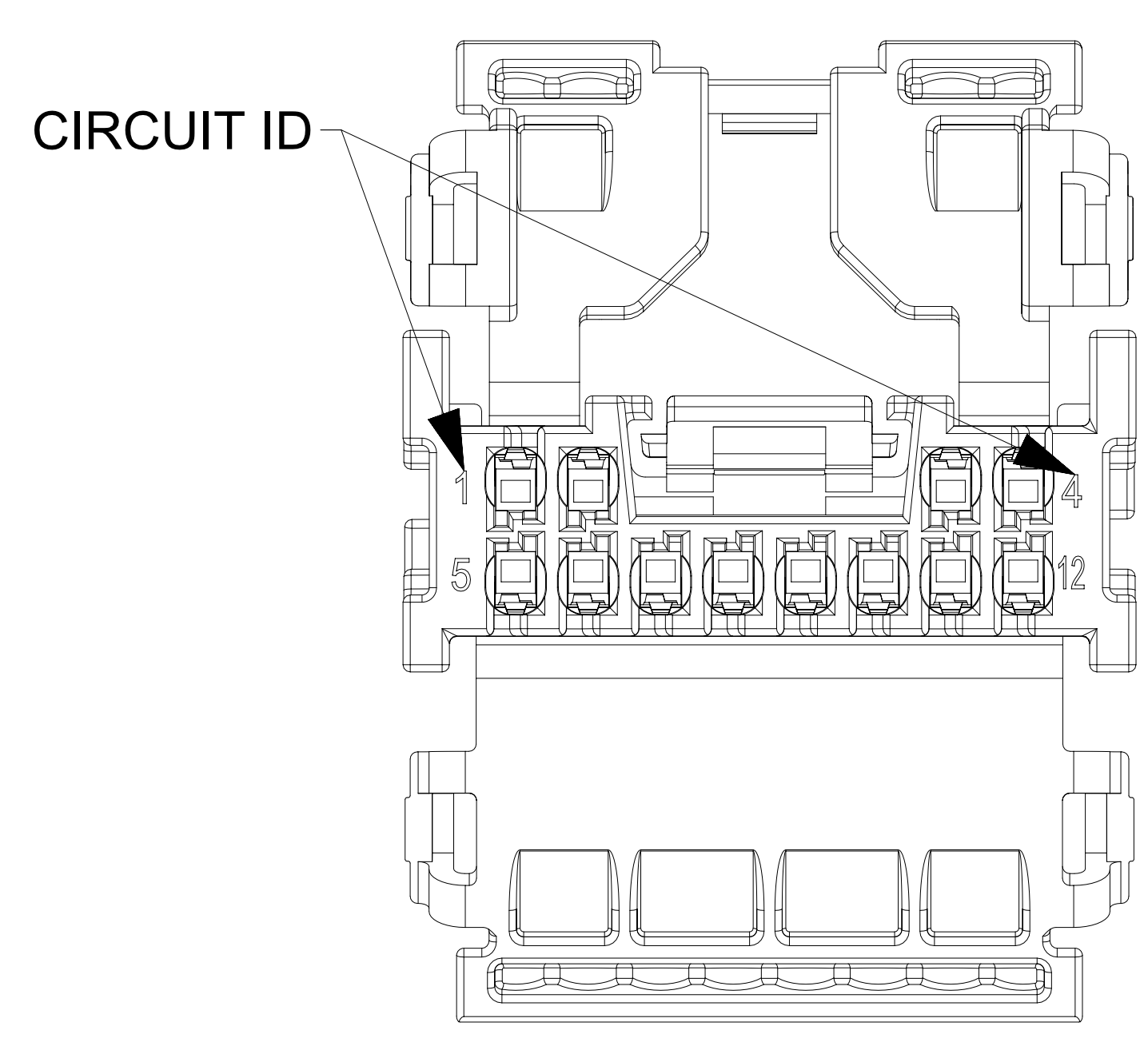
1. GENERAL:
 - a. APPLICATION SPECIFICATION SEE: AS-34791-020
 - b. PRODUCT SPECIFICATION SEE: PS-34791-020
 - c. PACKAGING SPECIFICATION PER MOLEX DRAWING: SEE CHART
 - d. PARTS MUST BE IN COMPLIANCE TO MOLEX CHEMICAL SUBSTANCES FOR PRODUCTS AND PACKAGING SPECIFICATION: QEHS-699000-301
 - e. DATA MUST BE SUBMITTED UNDER THE MOLEX PART NUMBER TO IMDS (COMPANY ID#13255)
 - f. FLAMMABILITY REQUIREMENT: PER ISO3795 OR GM3191
 1. BURN RATE 100 mm/MIN MAXIMUM
 2. MATERIAL MUST BE SELF EXTINGUISHING
 - g. VISUAL DEFECTS SHALL MEET COSMETIC STANDARD PS-45499-002 (Class B)
 - h. FOR TERMINAL USAGE, REFER TO MOLEX SALES DRAWING SD-560023-002 (PLAN OBSOLESCENCE IN 2024) AND 5600230800.
 - j. 16-24CKT PBT PARTS PLANNED FOR OBSOLESCENCE FEB 2021 ECOPAXX VERSIONS WILL SERVE AS REPLACEMENT

2. DESIGN - MATERIALS: SEE P/N TABLE

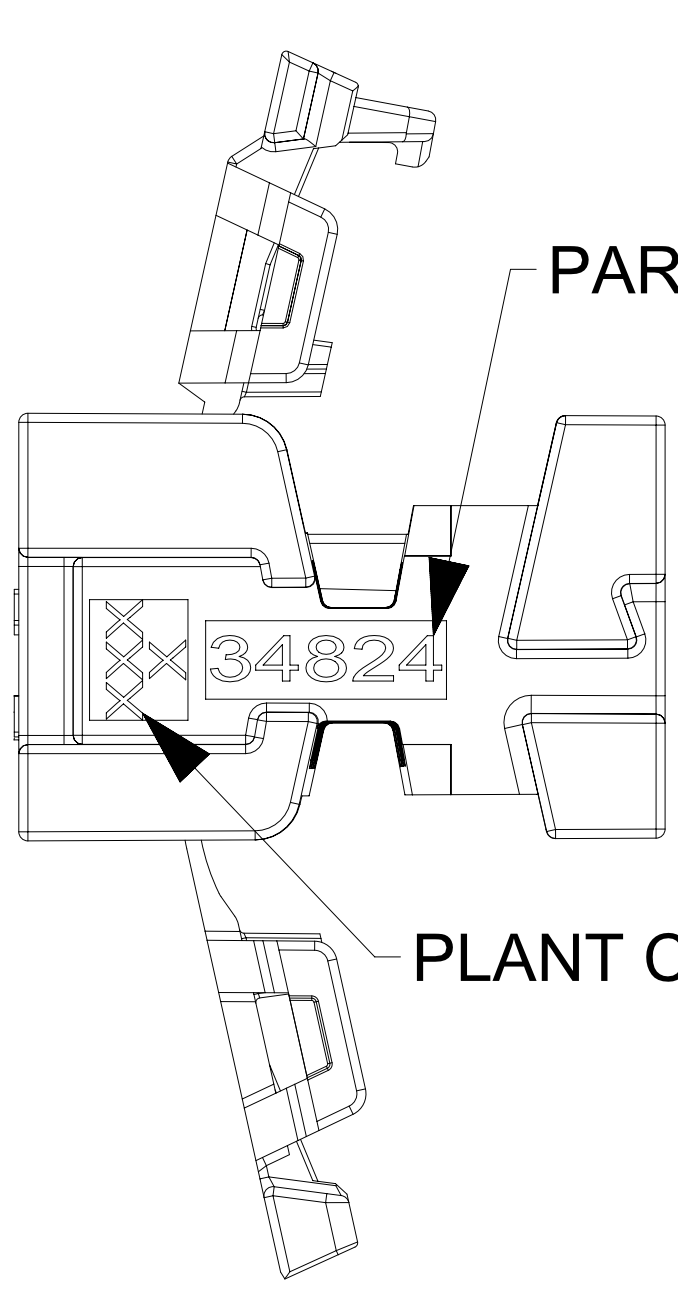
3. DESIGN - GEOMETRY:
 - a. THIS IS A 100% CAD GENERATED PART. THE CAD MATHEMATICAL DATA IS THE MASTER FOR THIS PART. FOR DIMENSIONAL OR ANY INFORMATION NOT SHOWN ON THIS DRAWING, ANALYZE THE CAD MODEL.
 - b. GEOMETRIC DIMENSIONS AND TOLERANCES PER ASME Y14.5M - 2009
 - c. GENERAL TOLERANCES:
 - LINEAR: PER DIN 16901 CODE B FOR PRECISION ENGINEERING (SEE TABLE)
 - ANGULAR: $\pm 3^\circ$
 - d. EDGES AND UNDIMENSIONED DETAILS PER ISO13715
 - e. CORNERS SHOWN AS SHARP TO BE R 0.2 MAX
 - f. LETTERING SHALL BE 0.1 MAX RAISED IN 0.15 MAX RECESS PAD AND NOT PROTRUDE THE SURFACE. THIS INCLUDES RECYCLING CODE, PLANT AND CAVITY ID, VENDOR ID, CIRCUIT ID, AND PART SERIES NUMBER.
 - g. DIMENSION APPLIES ONLY TO RECEPTACLES WITH LOCK BRIDGE OPTION.
 - h. DIM 9 & 12 TOLERANCE $+0.30/-0.15$ FOR ALL PA410 RECEPTACLES 16-24CKT.



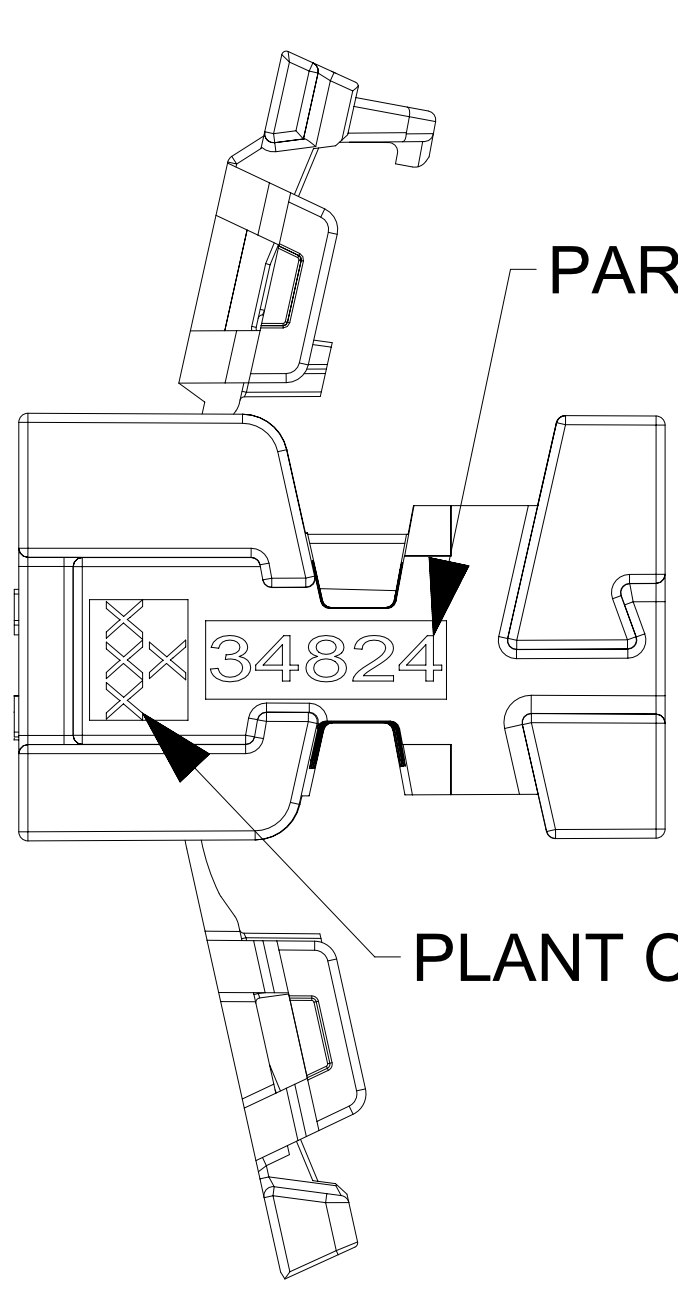
RECYCLING CODE
SEE BOM ON SHEET 3 FOR MATERIAL IDENTIFIER



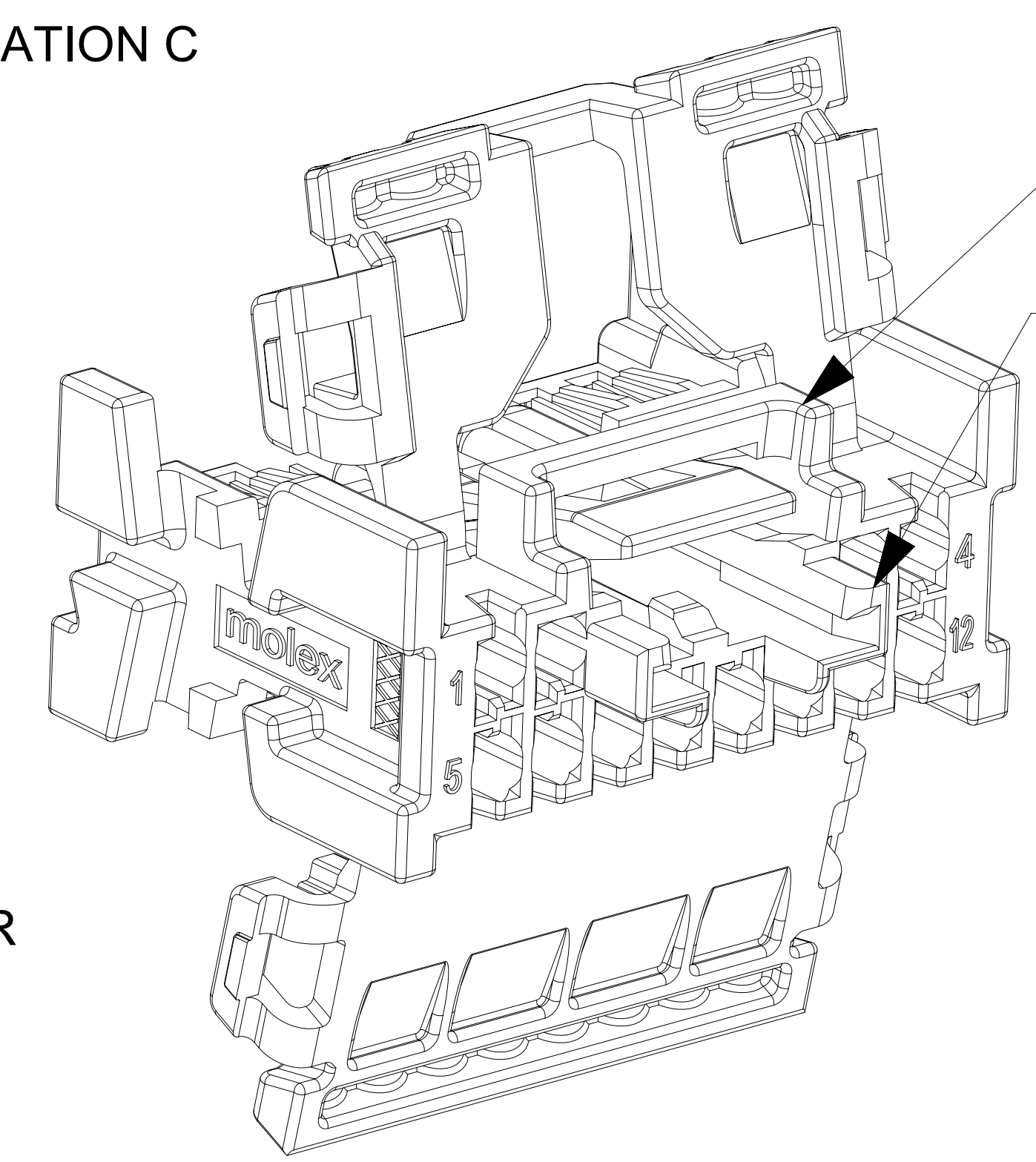
CIRCUIT ID



PART SERIES NUMBER



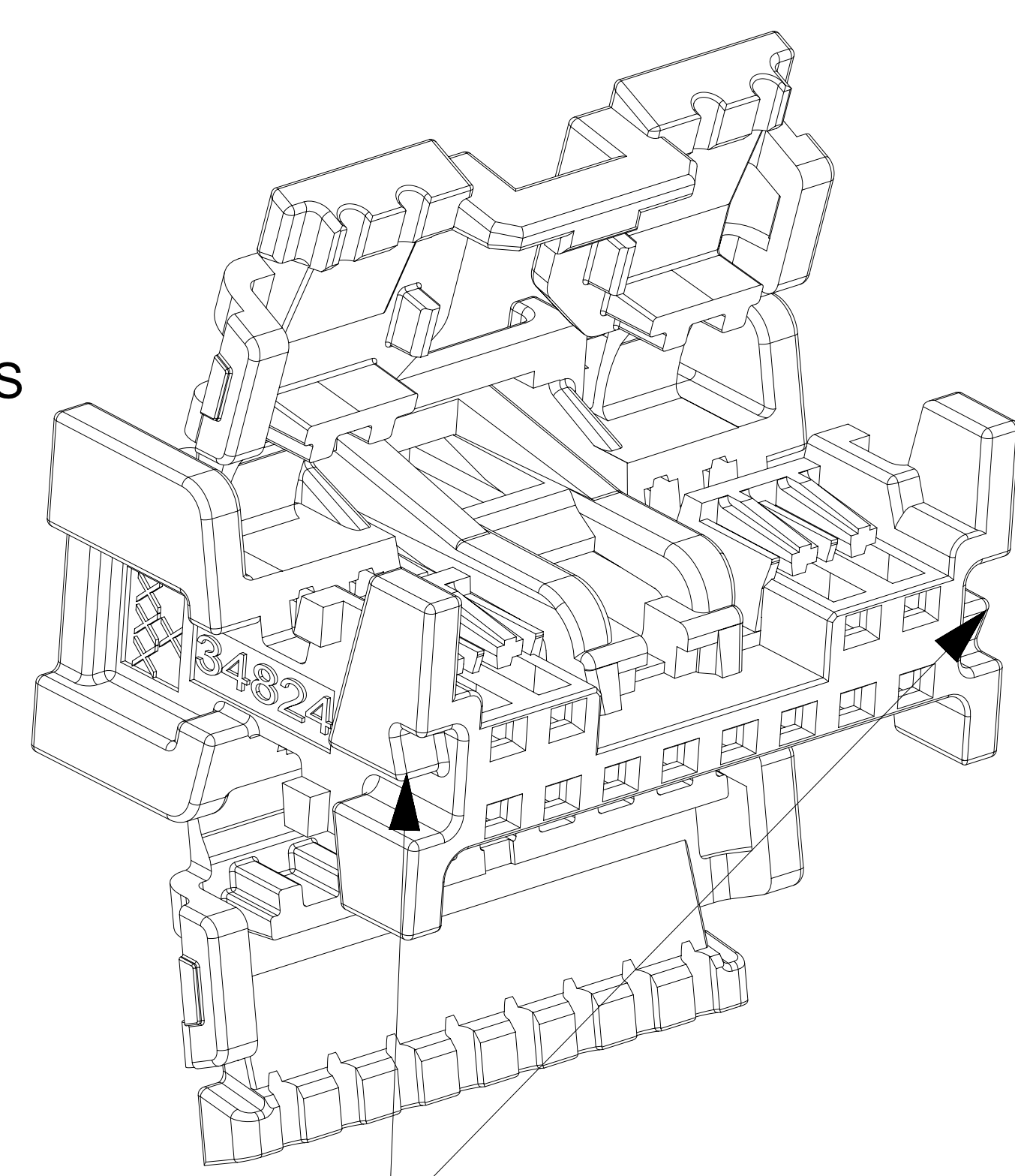
PLANT CODE & CAVITY ID



BRIDGED OPTION

CPA TRAY WITH BRIDGED OPTIONS

SCALE 7:1



POLARIZATION FEATURES

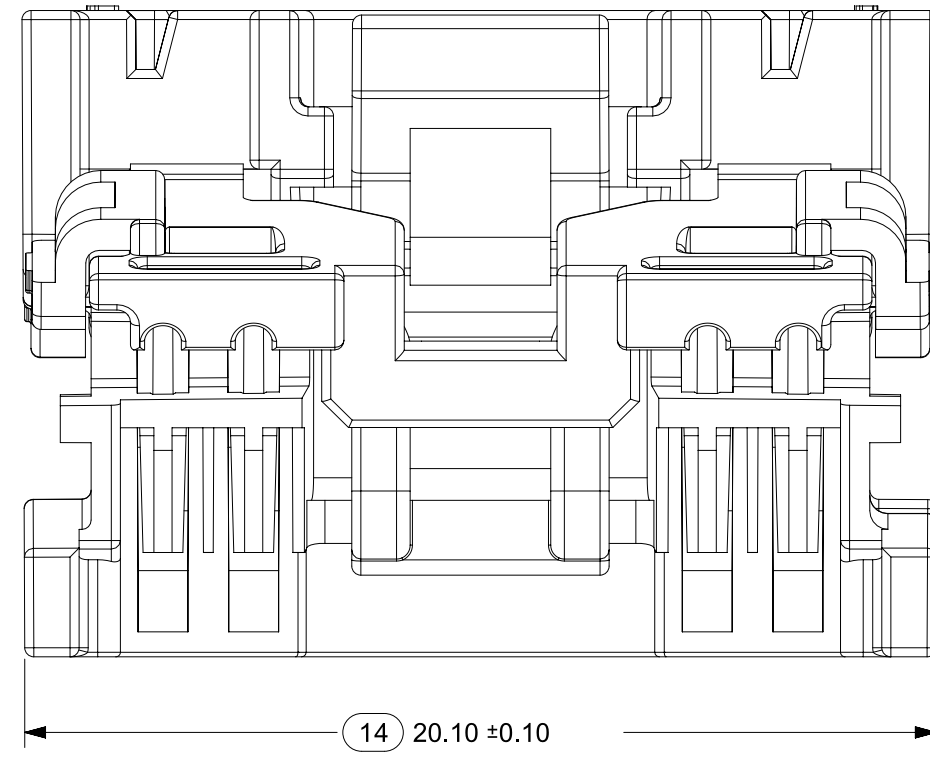
SCALE 7:1

INSPECTION BALLOON LOG	
PER DRAWING REVISION: L9	
LAST BALLOON USED: 17	
ADDED BALLOON NUMBERS:	
REMOVED BALLOON NUMBERS: 1-7	

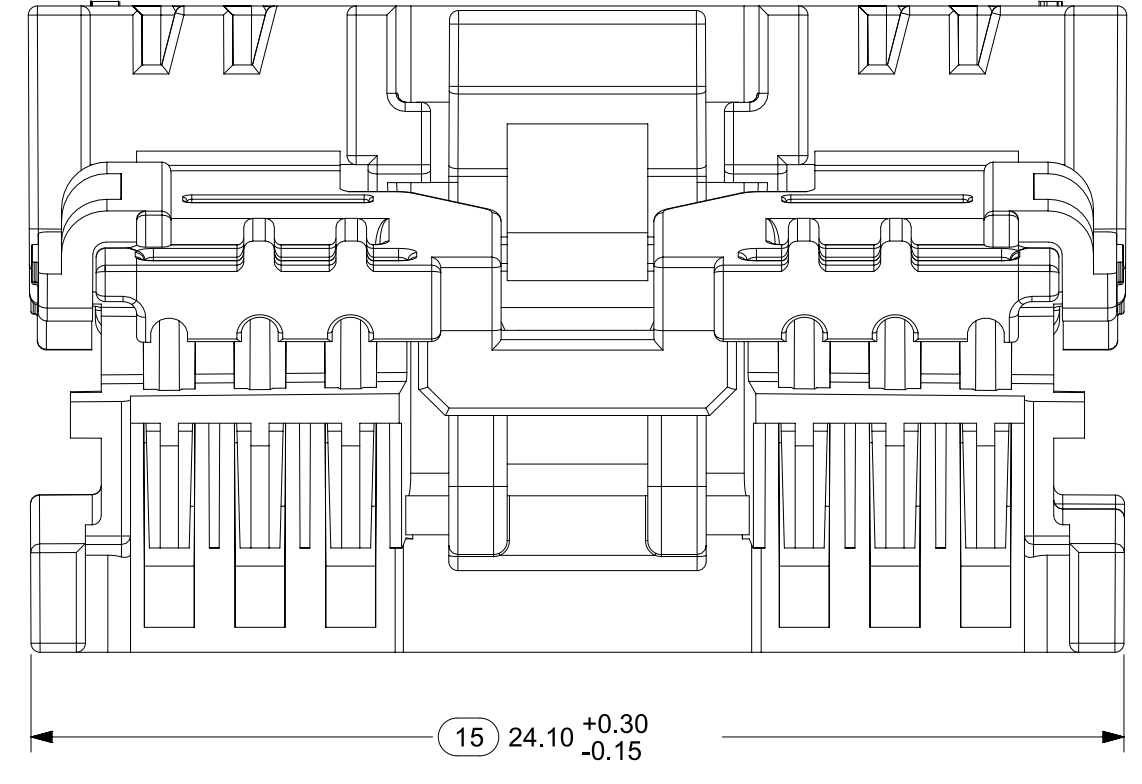
L9	ADDED TERMINAL SD-DRAWING 5600230800 AT NOTES 1-H ON SHEET 1
L8	CHANGED RECYCLING CODE TO "XXXX" WAS "PBT"
L7	OBSOLETE PART NUMBERS 348241200/01/02/40/41/42, 348241160/01/02, 348240160/01/02
L6	DRAWING REMASTERED
L5	PAGE 1: ADDED NOTE 1)
L4	PAGE 3: ADDED NOTE SYMBOL TO BOM
L3	VERTICAL PITCH DIMENSION ADDED
L2	UPDATED PIN TABLE TO SHOW MATERIAL
L1	
REV	DESCRIPTION

FUNCTIONAL SYMBOLS		THIS DRAWING CONTAINS INFORMATION THAT IS PROPRIETARY TO MOLEX ELECTRONIC TECHNOLOGIES, LLC AND SHOULD NOT BE USED WITHOUT WRITTEN PERMISSION		CURRENT REV DESC:			
MM	6:1	GENERAL TOLERANCES (UNLESS SPECIFIED)		STATUS: Production			
ANGULAR TOL	$\pm 0.5^\circ$	4 PLACES \pm		DRWN: Yann Chen		2023-10-20	
DIVISIONAL SYMBOLS	3 PLACES \pm	2 PLACES ± 0.100		CHK'D: Gang Li		2023-10-25	
	1 PLACE ± 0.20	0 PLACES \pm		APPR: Colin Zhang		2023-10-30	
DRAFT WHERE APPLICABLE MUST REMAIN WITHIN DIMENSIONS		THIRD ANGLE PROJECTION		DRAWING		SERIES	
				E-SIZE		34824	
				MATERIAL NUMBER		CUSTOMER	
				SD-34824-002		GENERAL MARKET	
				DOCUMENT NUMBER		REVISION	
				PSD 001		L9	
				SHEET NUMBER		1 OF 3	

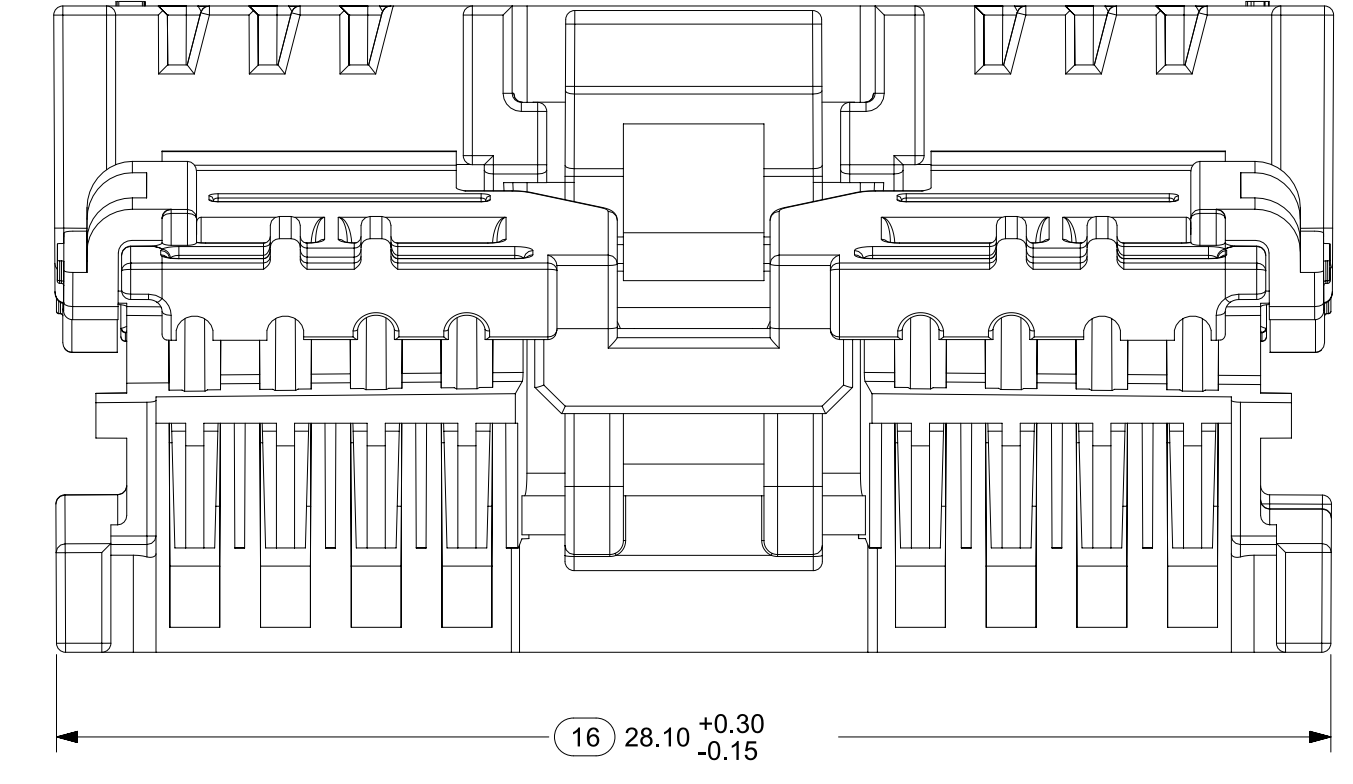
12 CIRCUIT



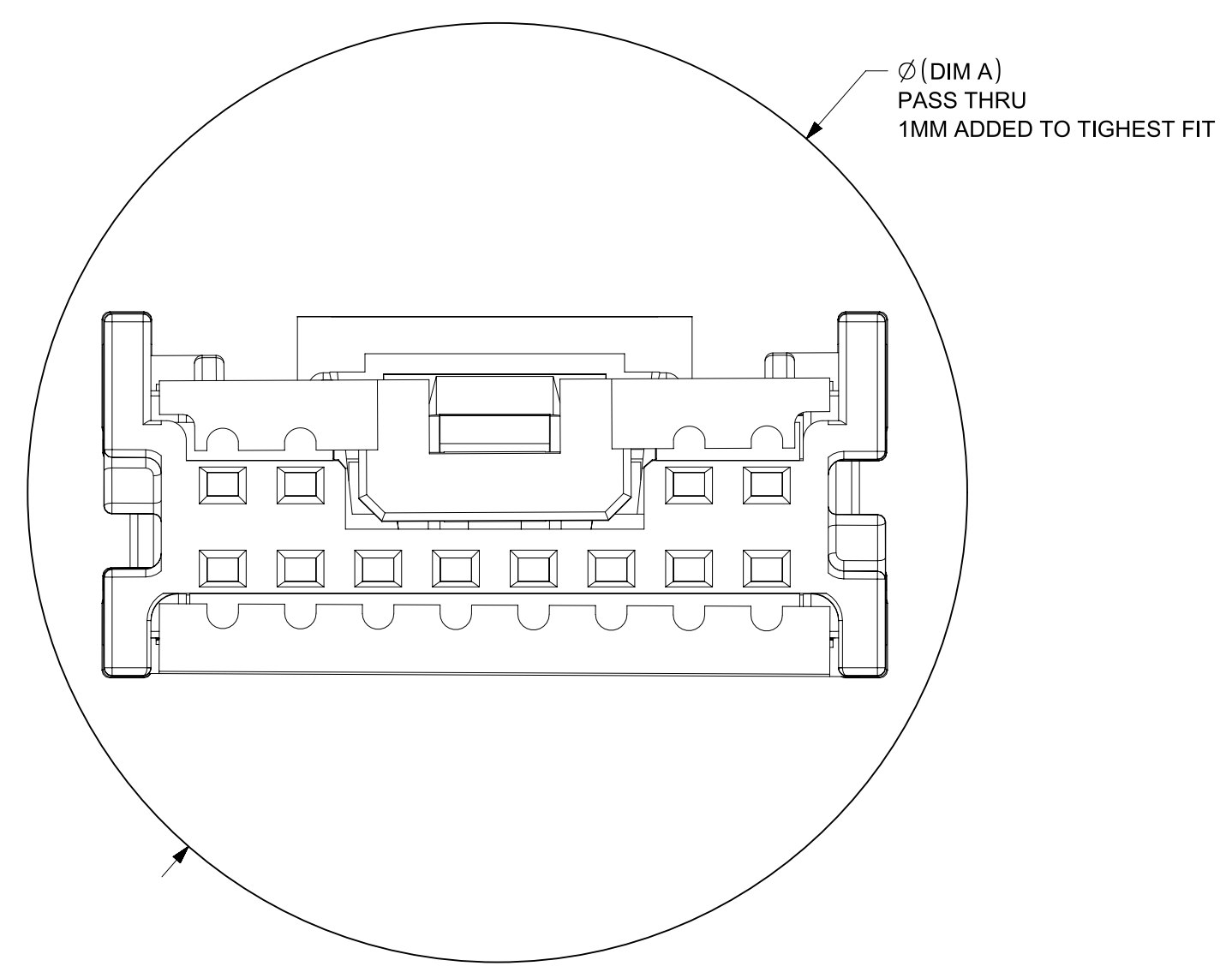
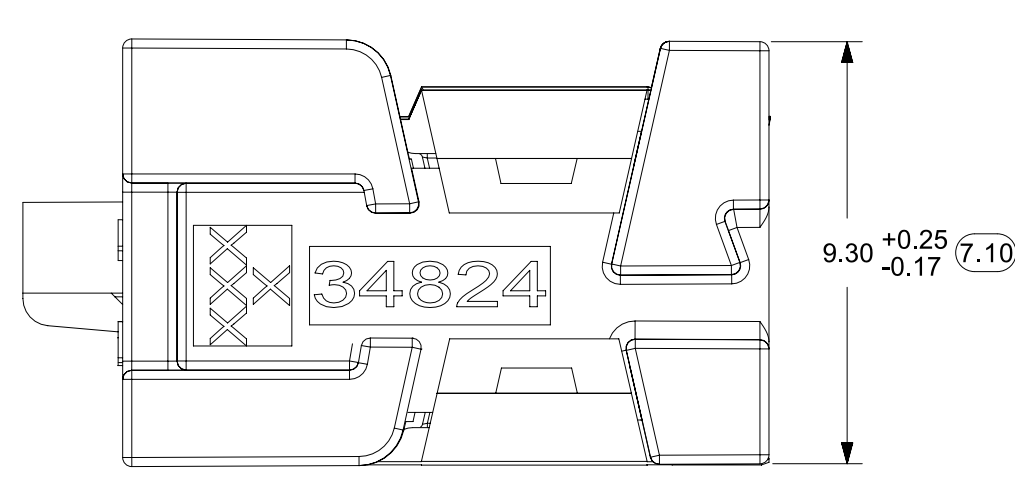
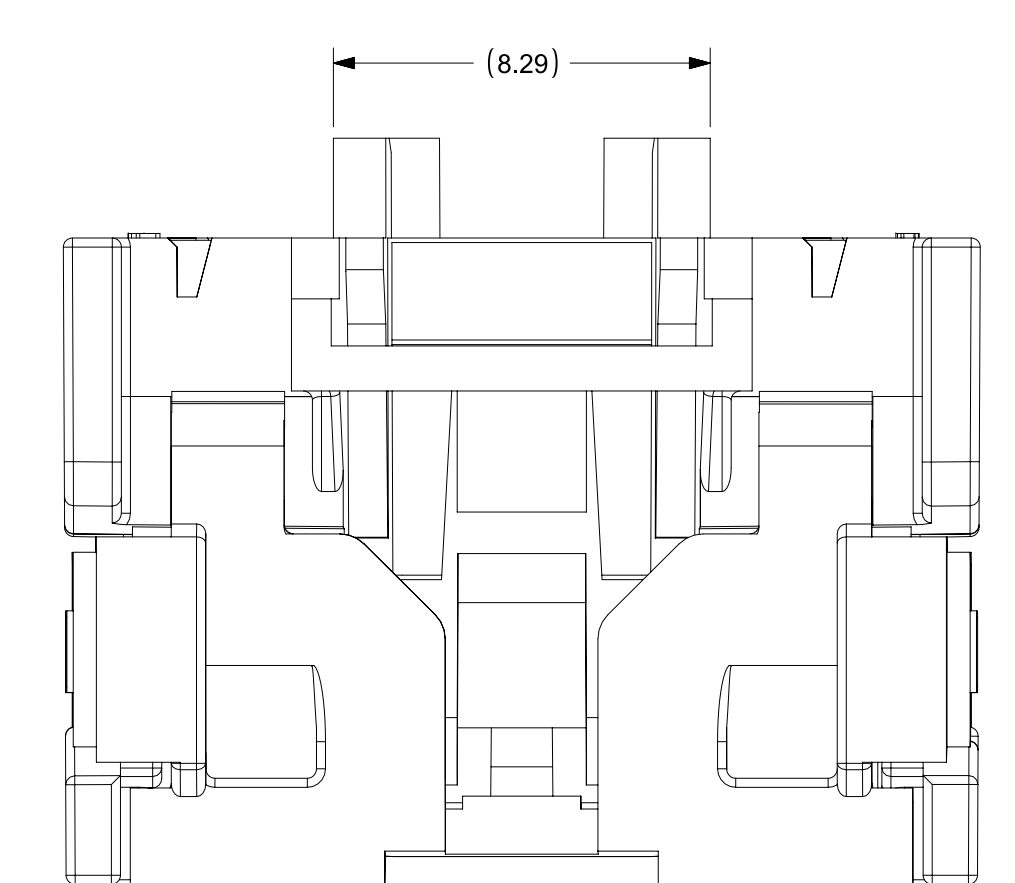
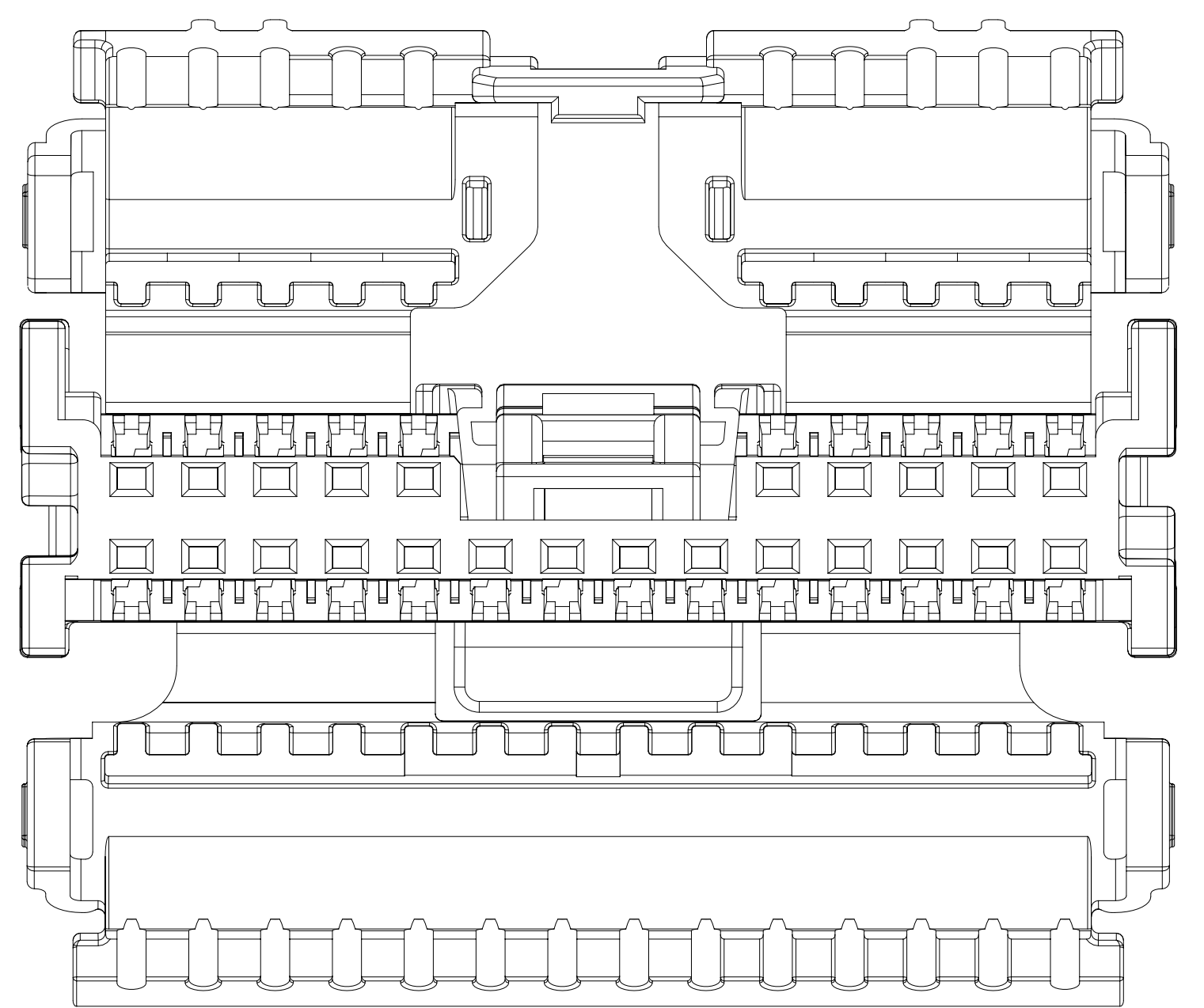
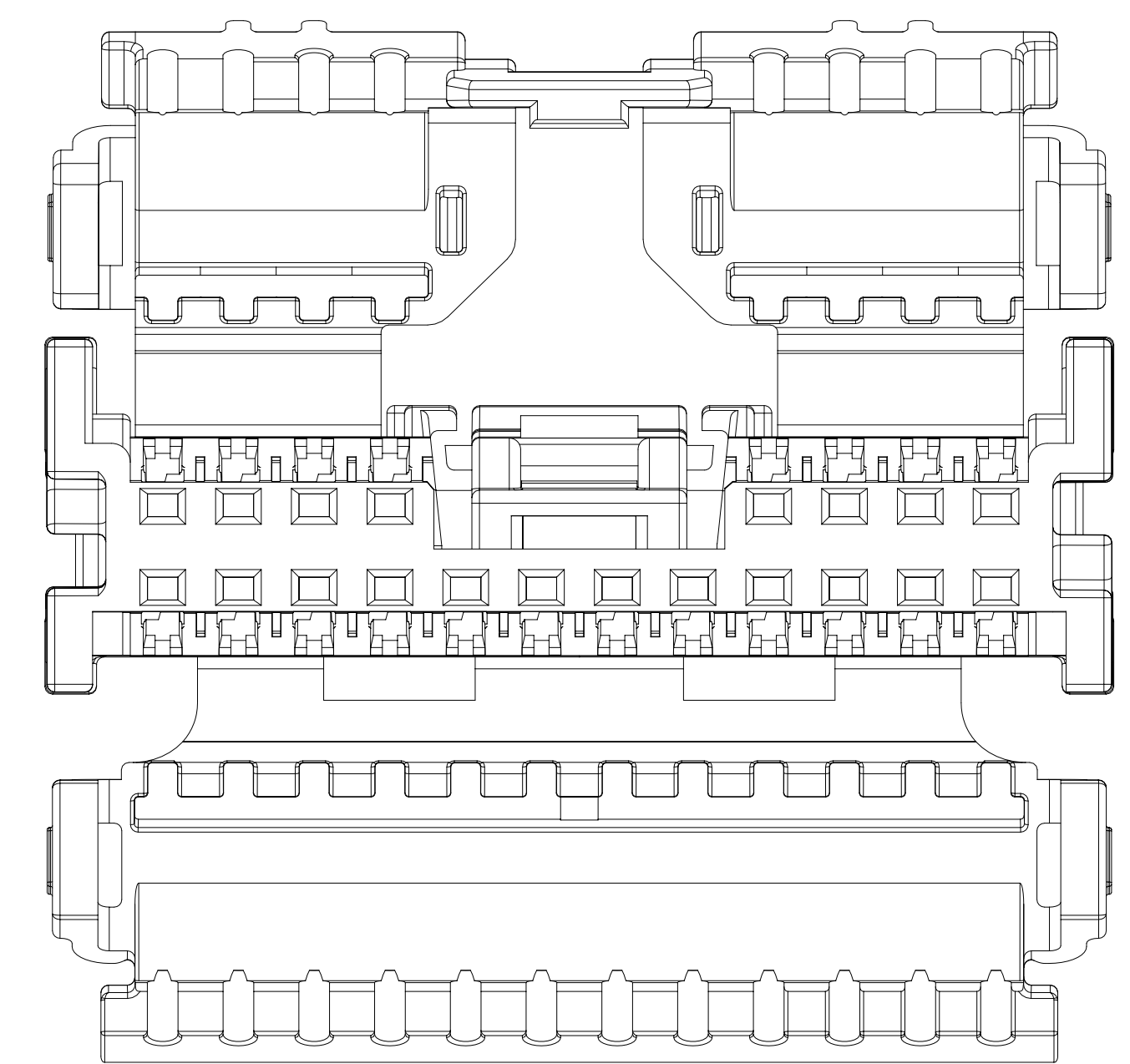
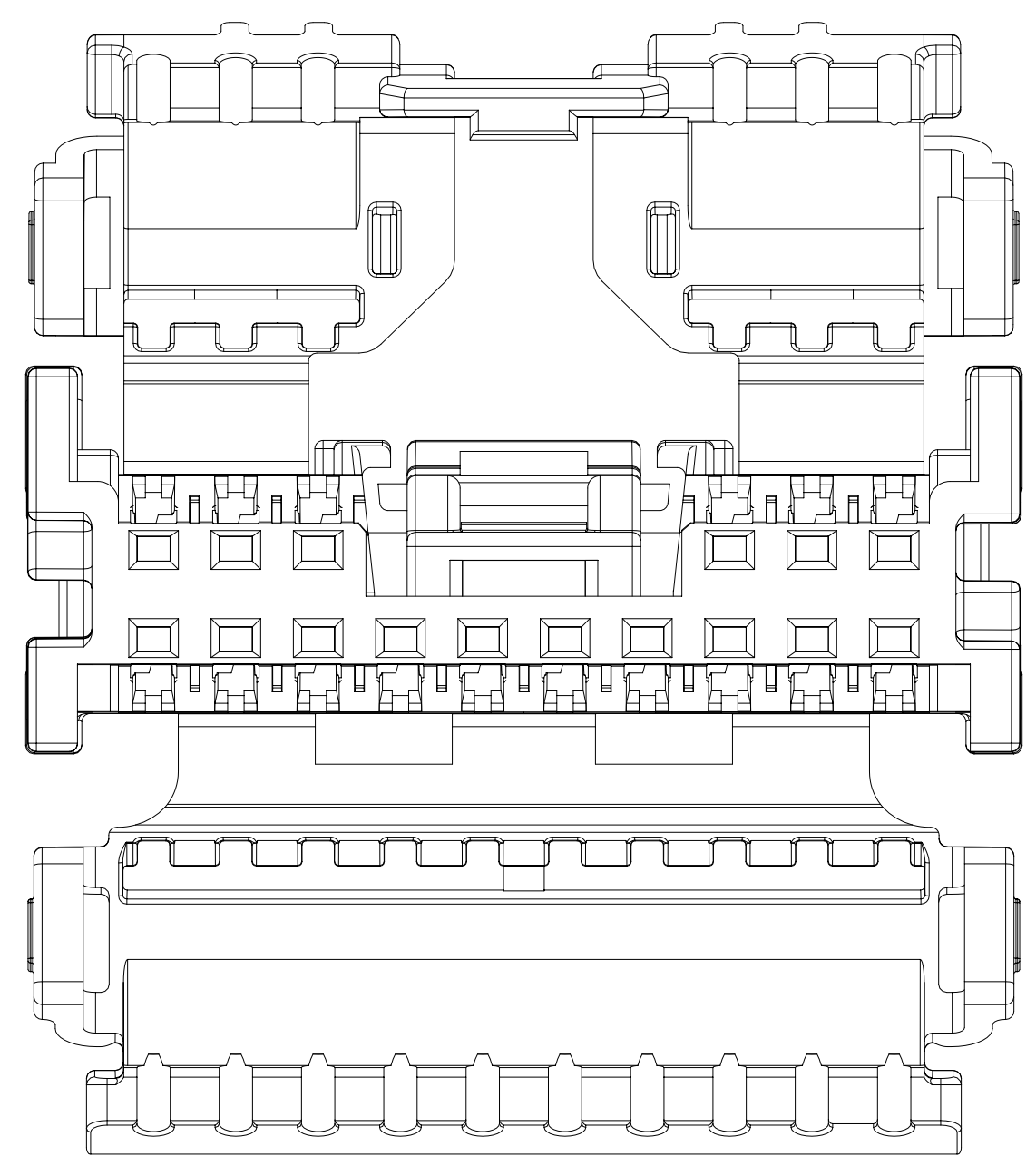
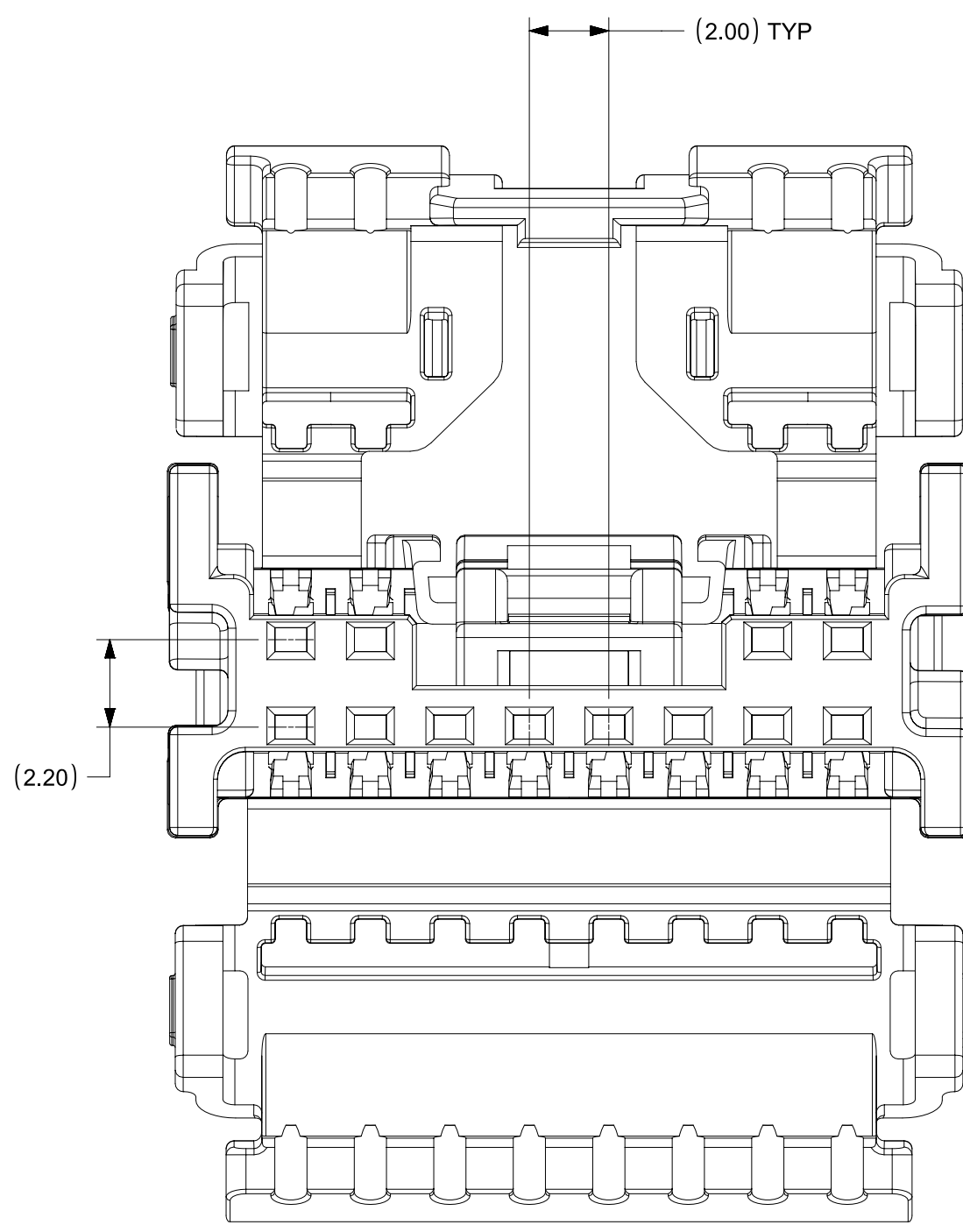
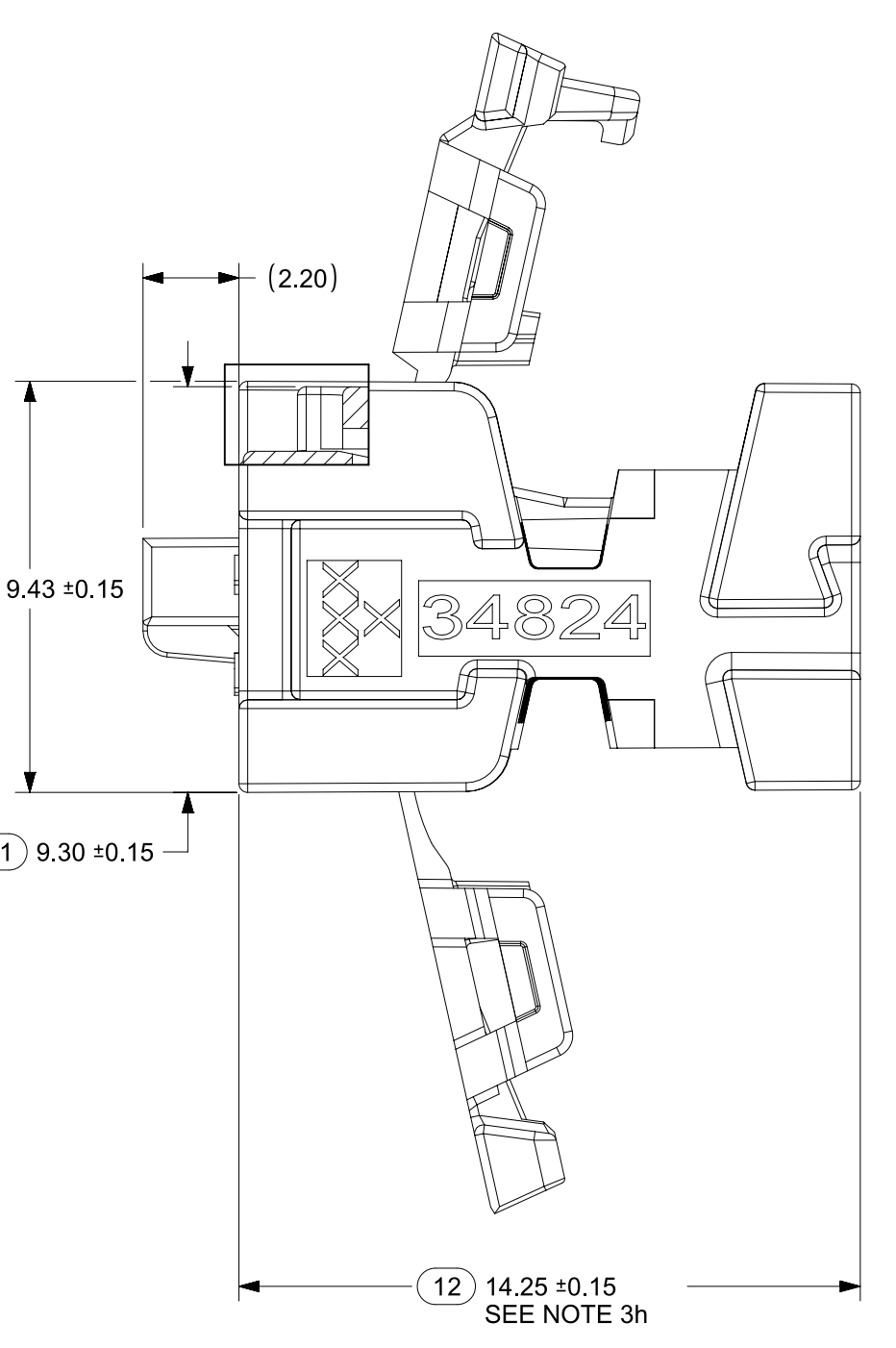
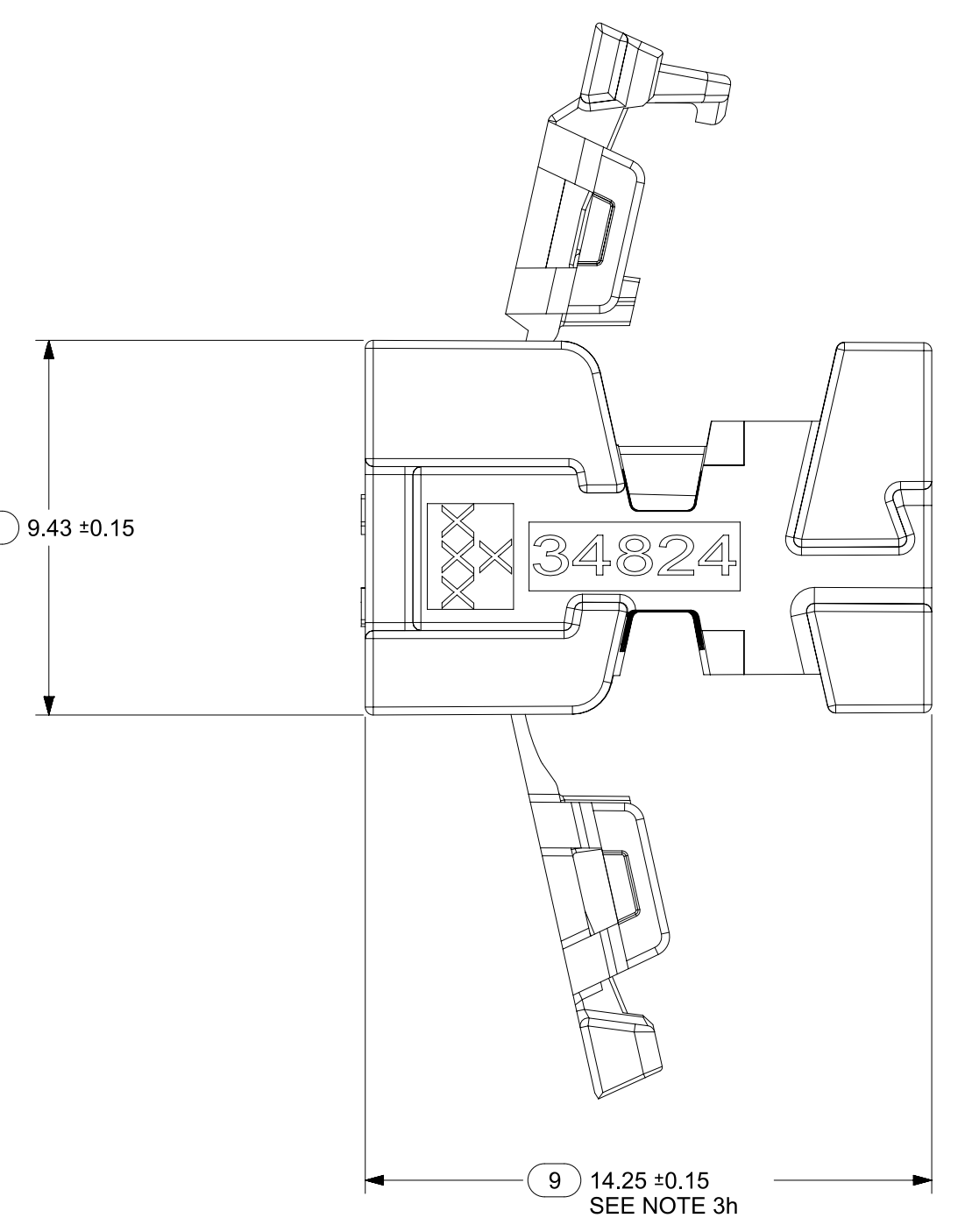
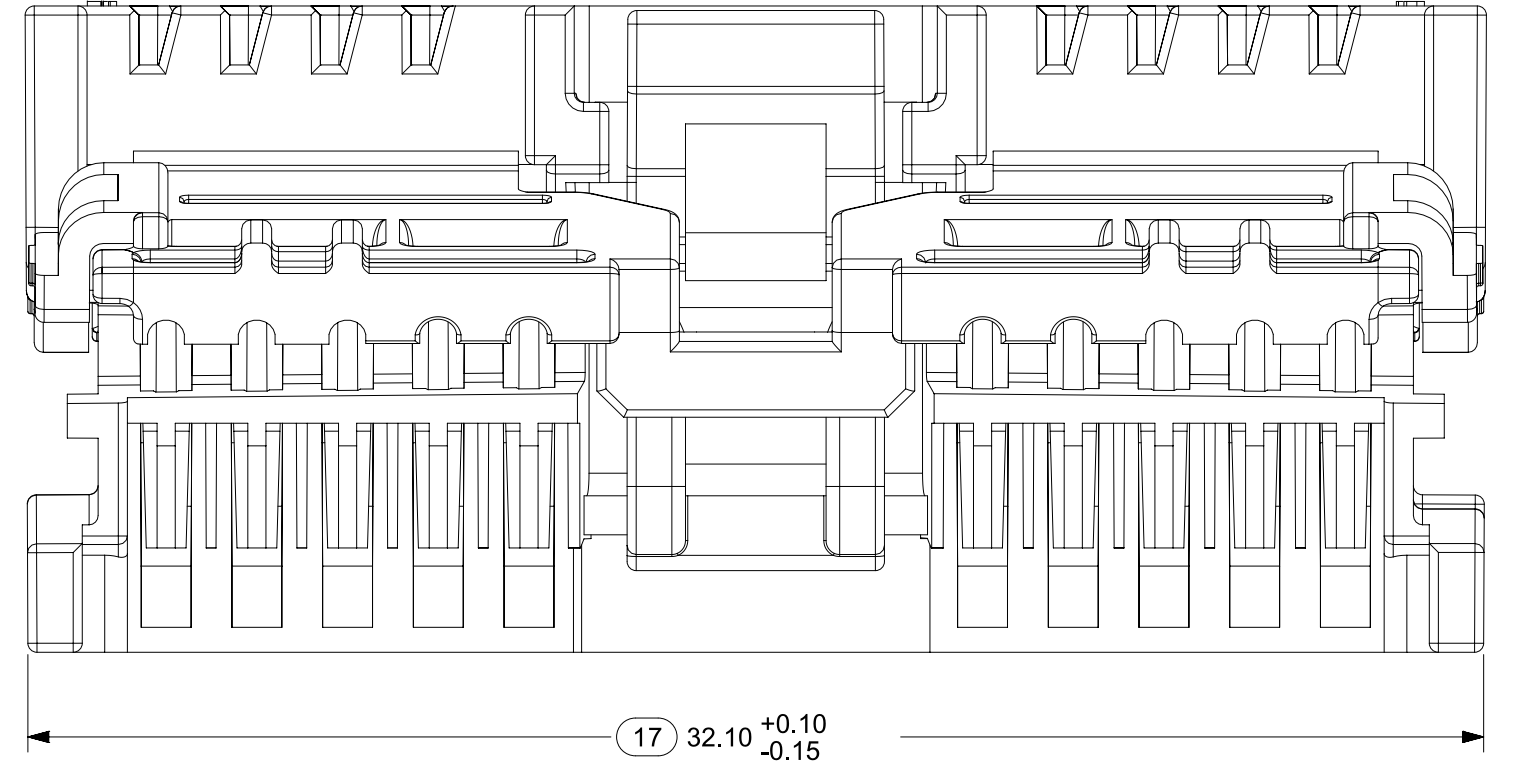
16 CIRCUIT



20 CIRCUIT



24 CIRCUIT



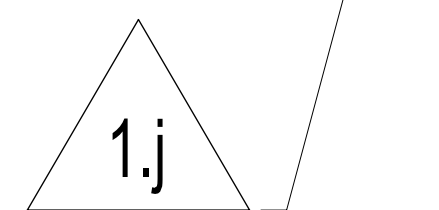
PASS THRU DIM TABLE

CIRCUIT SIZE	DIM A
12	24.18
16	27.88
20	31.64
24	35.48

FUNCTIONAL SYMBOLS A = 0 E = 0 B = 0 DIVISIONAL SYMBOLS	THIS DRAWING CONTAINS INFORMATION THAT IS PROPRIETARY TO MOLEX ELECTRONIC TECHNOLOGIES, LLC AND SHOULD NOT BE USED WITHOUT WRITTEN PERMISSION		CURRENT REV DESC:			
	DIMENSION UNITS: MM	SCALE: 6:1	<div style="text-align: center; font-size: 2em; font-weight: bold;">molex</div> <p>MINI50 DUAL ROW RECEPTACLE SALES DWG</p> <p>PRODUCT SALES DRAWING</p>			
	GENERAL TOLERANCES (UNLESS SPECIFIED)					
	ANGULAR TOL ± 0.5°					
4 PLACES ±						
3 PLACES ±		STATUS: Production		2023-10-20		
2 PLACES ± 0.100		DRWN: Yann Chen		2023-10-25		
1 PLACE ± 0.20		CHK'D: Gang Li		2023-10-30		
0 PLACES ±		APPR: Colin Zhang		DOCUMENT NUMBER: SD-34824-002		
DRAFT WHERE APPLICABLE MUST REMAIN WITHIN DIMENSIONS		THIRD ANGLE PROJECTION	DRAWING: E-SIZE	SERIES: 34824	MATERIAL NUMBER:	
			CUSTOMER: GENERAL MARKET	SHEET NUMBER: 2 OF 3	REVISION: L9	

MINI50 RECEPTACLES - PBT

MATERIAL NUMBER BULK PACKAGING PK-31301-538	LOCK BRIDGE	CIRCUIT	POL	COLOR	MATERIAL	MATING COMPONENT					
						SURFACE MOUNT TECHNOLOGY (SMT) HEADER		VERTICAL THRU HOLE HEADER		RIGHT ANGLE THRU HOLE HEADER	
						TAPE AND REEL PACKAGING PK-31301-786	TUBE PACKAGING PK-31301-688	TRAY PACKAGING PK-31301-440	TUBE PACKAGING PK-31301-688	TRAY PACKAGING PK-31301-440	TUBE PACKAGING PK-31301-688
34824-0124	NO	12	A	BLACK	PBT	34897-8120	34897-9120	34825-0124	34825-9124	34826-0124	34826-9124
34824-0125	NO	12	B	GRAY		34897-8121	34897-9121	34825-0125	34825-9125	34826-0125	34826-9125
34824-0126	NO	12	C	DARK GRAY		34897-8122	34897-9122	34825-0126	34825-9126	34826-0126	34826-9126
34824-1124	YES	12	A	BLACK		34897-8120	34897-9120	34825-0124	34825-9124	34826-0124	34826-9124
34824-1125	YES	12	B	GRAY		34897-8121	34897-9121	34825-0125	34825-9125	34826-0125	34826-9125
34824-1126	YES	12	C	DARK GRAY		34897-8122	34897-9122	34825-0126	34825-9126	34826-0126	34826-9126



MINI50 RECEPTACLES - PA410

MATERIAL NUMBER BULK PACKAGING PK-31301-538	LOCK BRIDGE OPTION	CIRCUIT	POL	COLOR	MATERIAL	MATING COMPONENT					
						SURFACE MOUNT TECHNOLOGY (SMT) HEADER		VERTICAL THRU HOLE HEADER		RIGHT ANGLE THRU HOLE HEADER	
						TAPE AND REEL PACKAGING	TUBE PACKAGING	TRAY PACKAGING	TUBE PACKAGING	TRAY PACKAGING PK-31301-440	TUBE PACKAGING PK-31301-688
34824-0164	NO	16	A	BLACK	PA410	34897-8160	34897-9160	34825-0160	34825-9160	34826-0160	34826-9160
34824-0165	NO	16	B	GRAY		34897-8161	34897-9161	34825-0161	34825-9161	34826-0161	34826-9161
34824-0166	NO	16	C	DARK GRAY		34897-8162	34897-9162	34825-0162	34825-9162	34826-0162	34826-9162
34824-1164	YES	16	A	BLACK		34897-8160	34897-9160	34825-0160	34825-9160	34826-0160	34826-9160
34824-1165	YES	16	B	GRAY		34897-8161	34897-9161	34825-0161	34825-9161	34826-0161	34826-9161
34824-1166	YES	16	C	DARK GRAY		34897-8162	34897-9162	34825-0162	34825-9162	34826-0162	34826-9162
34824-0204	NO	20	A	BLACK		34897-8200	34897-9200	34825-0200	34825-9200	34826-0200	34826-9200
34824-0205	NO	20	B	GRAY		34897-8201	34897-9201	34825-0201	34825-9201	34826-0201	34826-9201
34824-0206	NO	20	C	DARK GRAY		34897-8202	34897-9202	34825-0202	34825-9202	34826-0202	34826-9202
34824-1204	YES	20	A	BLACK		34897-8200	34897-9200	34825-0200	34825-9200	34826-0200	34826-9200
34824-1205	YES	20	B	GRAY		34897-8201	34897-9201	34825-0201	34825-9201	34826-0201	34826-9201
34824-1206	YES	20	C	DARK GRAY		34897-8202	34897-9202	34825-0202	34825-9202	34826-0202	34826-9202
34824-0244	NO	24	A	BLACK		34897-8240	34897-9240	34825-0240	34825-9240	34826-0240	34826-9240
34824-0245	NO	24	B	GRAY		34897-8241	34897-9241	34825-0241	34825-9241	34826-0241	34826-9241
34824-0246	NO	24	C	DARK GRAY		34897-8242	34897-9242	34825-0242	34825-9242	34826-0242	34826-9242
34824-1244	YES	24	A	BLACK		34897-8240	34897-9240	34825-0240	34825-9240	34826-0240	34826-9240
34824-1245	YES	24	B	GRAY		34897-8241	34897-9241	34825-0241	34825-9241	34826-0241	34826-9241
34824-1246	YES	24	C	DARK GRAY		34897-8242	34897-9242	34825-0242	34825-9242	34826-0242	34826-9242

FUNCTIONAL SYMBOLS	THIS DRAWING CONTAINS INFORMATION THAT IS PROPRIETARY TO MOLEX ELECTRONIC TECHNOLOGIES, LLC AND SHOULD NOT BE USED WITHOUT WRITTEN PERMISSION		CURRENT REV DESC:								
	DIMENSION UNITS	SCALE									
$\nabla = 0$	MM	6:1	STATUS: Production DRWN: Yann Chen CHK'D: Gang Li APPR: Colin Zhang		2023-10-20		DOCUMENT NUMBER	DOC TYPE	DOC PART	REVISION	
$\nabla = 0$	GENERAL TOLERANCES (UNLESS SPECIFIED)				2023-10-25		SD-34824-002	PSD	001	L9	
$\nabla = 0$	ANGULAR TOL \pm 0.5°				2023-10-30		MATERIAL NUMBER		CUSTOMER		SHEET NUMBER
DIVISIONAL SYMBOLS	4 PLACES \pm				THIRD ANGLE PROJECTION		DRAWING		GENERAL MARKET		3 OF 3
	3 PLACES \pm				E-SIZE		SERIES				
	2 PLACES \pm 0.100				34824						
	1 PLACE \pm 0.20										
	0 PLACES \pm										
	DRAFT WHERE APPLICABLE MUST REMAIN WITHIN DIMENSIONS										