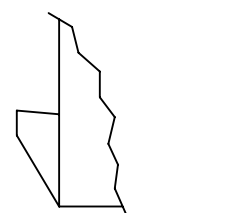
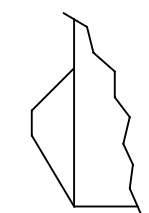


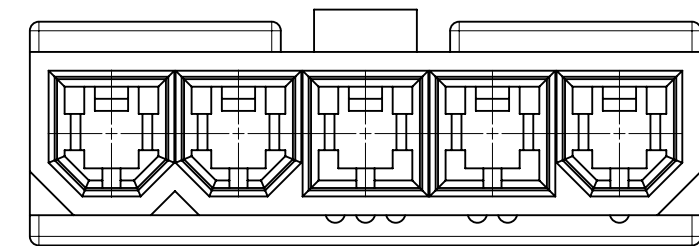
LOCK OPTION:



POSITIVE LOCK



PASSIVE LOCK



5 CKT WITHOUT  
MOUNTING EARS SHOWN

NOTES:

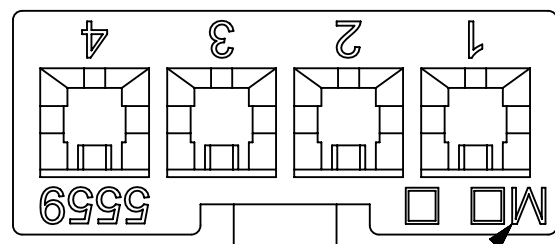
- MATERIAL: BLANK=NYLON 6/6, UL 94V-2, COLOR: NATURAL.  
210=NYLON 6/6, UL 94V-0, COLOR: NATURAL.  
400=NYLON 6/6, UL 94 V-0, COLOR: BLACK.
- FINISH: NOTE APPLICABLE
- PRODUCT SPECIFICATION: PS-5556-001
- PACKAGING SPECIFICATION: BULK PER PK-5559-003
- THIS PART MATES WITH RECEPTACLE NO. 5557.
- THIS PART IS FOR USE WITH MOLEX MALE TERMINAL NO. 5558-\*
- PANEL MOUNT VERSION IS FOR USE WITH .031/.079/(0.80/2.00) THICK PANELS.
- PANEL SHOULD BE PUNCHED IN THE DIRECTION OF CONNECTOR INSERTION.
- FACTORY ID MAY BE LOCATED ON EARS.
- THIS PART CONFORMS TO CLASS B REQUIREMENTS OF COSMETIC SPECIFICATION PS-45499-002.
- PART IS NOT DESIGNED FOR CURRENT SHARING.
- PARTS ARE NOT TO BE MATED OR UNMATED WHILE CIRCUITS ARE LIVE.
- WIRES ARE TO BE DRESSED IN SUCH A MANNER TO ALLOW THE TERMINALS TO FLOAT FREELY IN THE POCKET.

CKT SIZE	DIM.A	DIM.B	DIM.C	DIM.D
2	.165	.378	.394	.591
	[4.20]	[9.60]	[10.00]	[15.00]
4	.496	.709	.724	.921
	[12.60]	[18.00]	[18.40]	[23.40]
5	.661	.874	.890	1.087
	[16.80]	[22.20]	[22.60]	[27.60]
6	.827	1.039	1.055	1.252
	[21.00]	[26.40]	[26.80]	[31.80]
7	.992	1.205	1.220	1.417
	[25.20]	[30.60]	[31.00]	[36.00]
8	1.157	1.370	1.386	1.583
	[29.40]	[34.80]	[35.20]	[40.20]
9	1.323	1.535	1.551	1.748
	[33.60]	[39.00]	[39.40]	[44.40]
10	1.488	1.701	1.717	1.913
	[37.80]	[43.20]	[43.60]	[48.60]
11	1.654	1.866	1.882	2.079
	[42.00]	[47.40]	[47.80]	[52.80]
12	1.819	2.031	2.047	2.244
	[46.20]	[51.60]	[52.00]	[57.00]

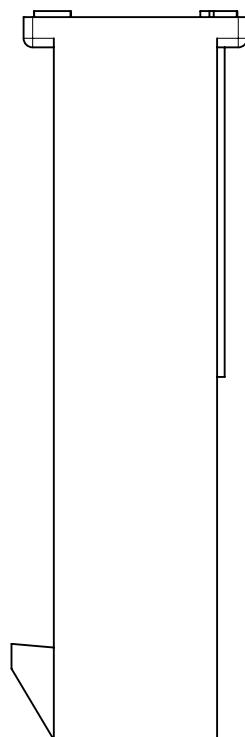
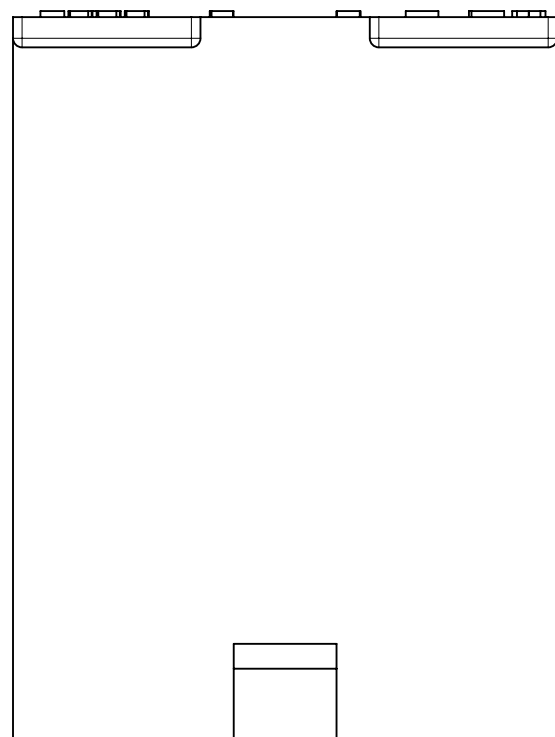
THIS DRAWING CONTAINS INFORMATION THAT IS PROPRIETARY TO MOLEX ELECTRONIC TECHNOLOGIES, LLC AND SHOULD NOT BE USED WITHOUT WRITTEN PERMISSION									
DIMENSION UNITS <b>IN/MM</b>		SCALE <b>4:1</b>		CURRENT REV DESC: REMASTERED USING MODELS				<b>molex</b>	
GENERAL TOLERANCES (UNLESS SPECIFIED)				EC NO: 782462					
				DRWN: SASWAP		2024/03/06		MINI-FIT JR. SERIES PLUG (SINGLE ROW)	
4 PLACES ±		±		CHK'D: XQZHANG		2024/04/18		PRODUCT CUSTOMER DRAWING	
3 PLACES ±		± 0.01		APPR: XQZHANG		2024/04/18		DOCUMENT NUMBER	
2 PLACES ±		0.25 ± 0.015		INITIAL REVISION:		1989/02/19		55590002-SD	
1 PLACE ±		0.38 ±		DRWN: KSS		2011/03/10		PSD 000 A2	
0 PLACES ±		±		APPR: FSMITH				DOC TYPE   DOC PART   REVISION	
ANGULAR TOL ± 0.5 °				THIRD ANGLE PROJECTION		DRAWING		SERIES	
DRAFT WHERE APPLICABLE MUST REMAIN WITHIN DIMENSIONS				C-SIZE		5559		MATERIAL NUMBER   CUSTOMER   SHEET NUMBER	
				SEE TABLE		GENERAL MARKET		1 OF 3	

THIS DRAWING REPLACES DRAWING SD-5559-NLP+

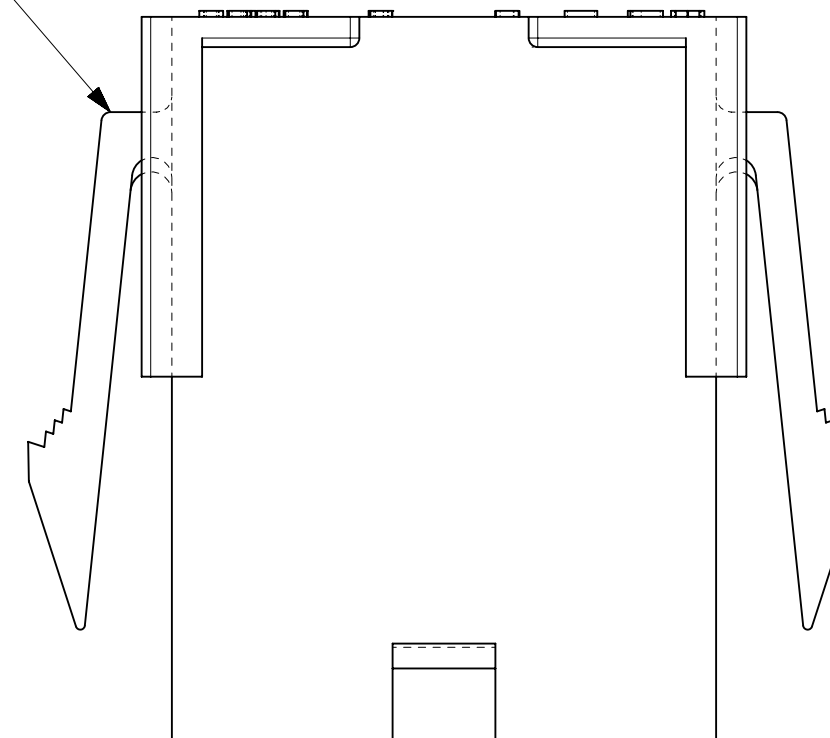
DOCUMENT STATUS	P1	RELEASE DATE	2024/04/18	04:37:56
-----------------	----	--------------	------------	----------



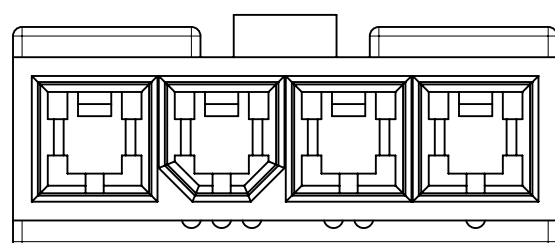
FACTORY ID  
SEE NOTE 9



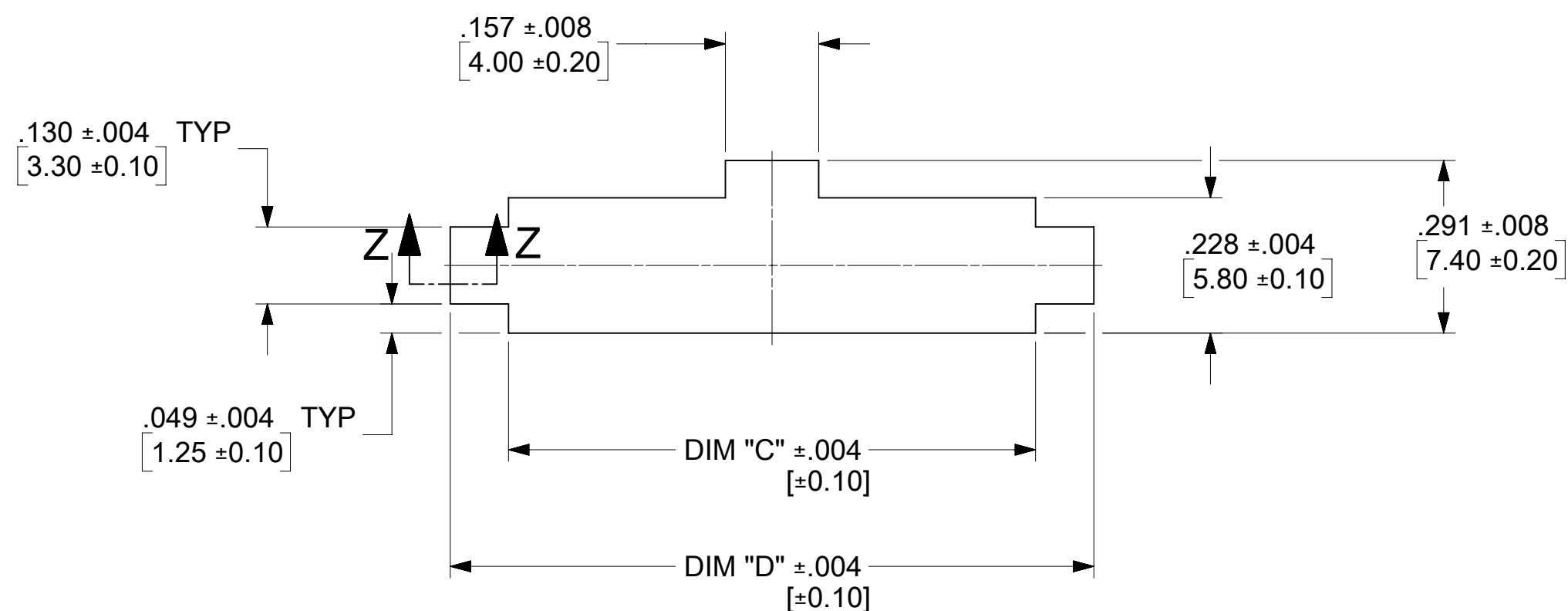
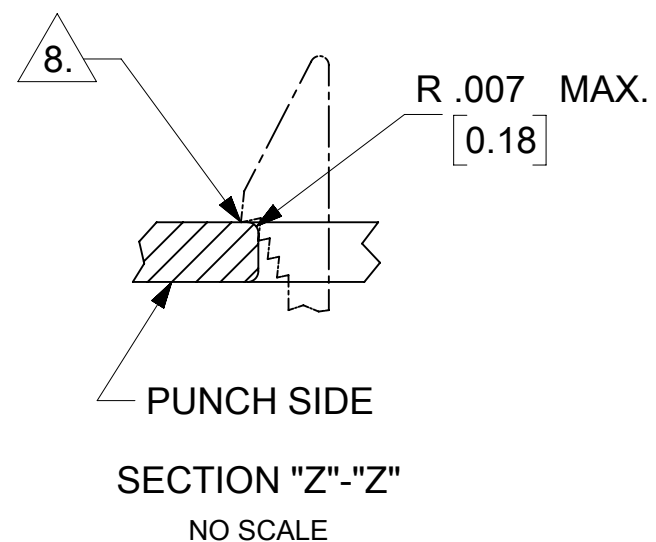
SEE NOTE 9



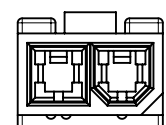
WITH MOUNTING EARS



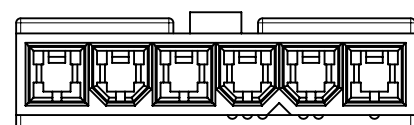
4 CKT WITHOUT  
MOUNTING EARS SHOWN



RECOMMENDED PANEL CUT-OUT  
(SEE NOTE 7 & 8)



2 CIRCUIT



6 CIRCUIT

POLARIZATION

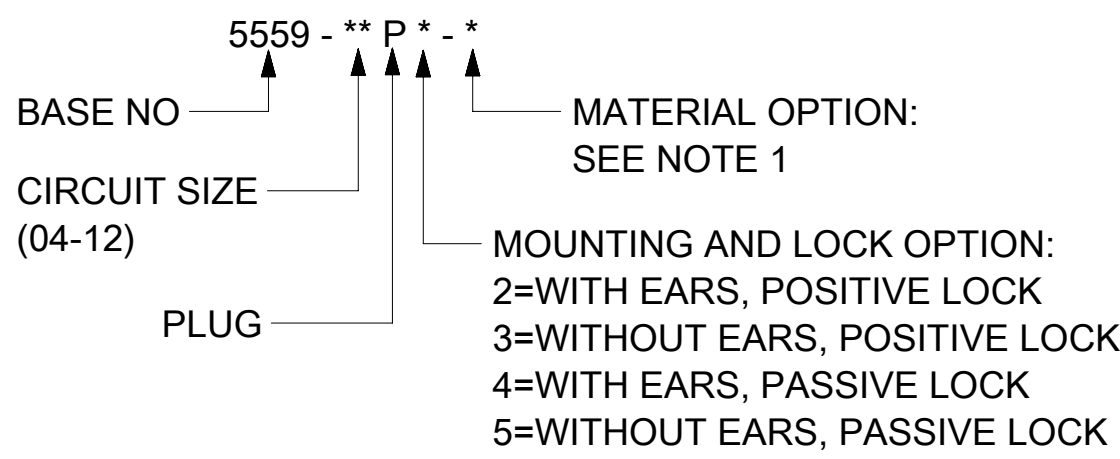
THIS DRAWING CONTAINS INFORMATION THAT IS PROPRIETARY TO MOLEX ELECTRONIC TECHNOLOGIES, LLC AND SHOULD NOT BE USED WITHOUT WRITTEN PERMISSION									
DIMENSION UNITS <b>IN/MM</b>		SCALE <b>4:1</b>		CURRENT REV DESC: REMASTERED USING MODELS				<b>molex</b>	
GENERAL TOLERANCES (UNLESS SPECIFIED)				EC NO: 782462					
4 PLACES ±		±		DRWN: SASWAP		2024/03/06		MINI-FIT JR. SERIES PLUG (SINGLE ROW)	
3 PLACES ±		± 0.01		CHK'D: XQZHANG		2024/04/18			
2 PLACES ±		± 0.25 ± 0.015		APPR: XQZHANG		2024/04/18		PRODUCT CUSTOMER DRAWING	
1 PLACE ±		±		INITIAL REVISION:				DOCUMENT NUMBER	
0 PLACES ±		±		DRWN: KSS		1989/02/19		55590002-SD	
ANGULAR TOL ± 0.5°				APPR: FSMITH		2011/03/10		PSD 000 A2	
DRAFT WHERE APPLICABLE MUST REMAIN WITHIN DIMENSIONS		THIRD ANGLE PROJECTION		DRAWING		SERIES		MATERIAL NUMBER	
		C-SIZE		5559		SEE TABLE		CUSTOMER	
						GENERAL MARKET		SHEET NUMBER	
								2 OF 3	

THIS DRAWING REPLACES DRAWING SD-5559-NLP+

12	11	10	9	8	7	
TOOLED	PART NO.	ENG NO.	CKT SIZE	MOUNTING OPTION	LOCK OPTION	MATERIAL (SEE NOTE 1)
YES	46999-0655	5559-02P2	2	W / EARS	POSITIVE	94V-2
YES	46999-0656	5559-02P3	2	W / O EARS	POSITIVE	94V-2
YES	46999-0657	5559-02P2-210	2	W / EARS	POSITIVE	94V-0
YES	46999-0658	5559-02P3-210	2	W / O EARS	POSITIVE	94V-0
YES	46999-0884	5559-02P2-400	2	W / EARS	POSITIVE	94V-0 BLACK
YES	46999-0885	5559-02P3-400	2	W / O EARS	POSITIVE	94V-0 BLACK
YES	39-01-4046	5559-04P3	4	W / O EARS	POSITIVE	94V-2
YES	39-01-4043	5559-04P2-210	4	W / EARS	POSITIVE	94V-0
YES	39-01-4047	5559-04P3-210	4	W / O EARS	POSITIVE	94V-0
YES	46999-0561	5559-04P3-400	4	W / O EARS	POSITIVE	94V-0 BLACK
YES	39-01-4052	5559-05P2	5	W / EARS	POSITIVE	94V-2
YES	39-01-4056	5559-05P3	5	W / O EARS	POSITIVE	94V-2
YES	39-01-4053	5559-05P2-210	5	W / EARS	POSITIVE	94V-0
YES	39-01-4057	5559-05P3-210	5	W / O EARS	POSITIVE	94V-0
YES	50-30-4446	5559-05P3-400	5	W / O EARS	POSITIVE	94V-0 BLACK
YES	39-01-4062	5559-06P2	6	W / EARS	POSITIVE	94V-2
YES	39-01-4066	5559-06P3	6	W / O EARS	POSITIVE	94V-2
YES	46999-0886	5559-06P2-400	6	W / EARS	POSITIVE	94V-0 BLACK
YES	46999-0887	5559-06P3-400	6	W / O EARS	POSITIVE	94V-0 BLACK
YES	39-01-4063	5559-06P2-210	6	W / EARS	POSITIVE	94V-0
YES	39-01-4067	5559-06P3-210	6	W / O EARS	POSITIVE	94V-0
NO	39-01-4072	5559-07P2	7	W / EARS	POSITIVE	94V-2
NO	39-01-4076	5559-07P3	7	W / O EARS	POSITIVE	94V-2
NO	39-01-4073	5559-07P2-210	7	W / EARS	POSITIVE	94V-0
NO	39-01-4077	5559-07P3-210	7	W / O EARS	POSITIVE	94V-0
NO	39-01-4082	5559-08P2	8	W / EARS	POSITIVE	94V-2
NO	39-01-4086	5559-08P3	8	W / O EARS	POSITIVE	94V-2
NO	39-01-4083	5559-08P2-210	8	W / EARS	POSITIVE	94V-0
NO	39-01-4087	5559-08P3-210	8	W / O EARS	POSITIVE	94V-0
NO	39-01-4092	5559-09P2	9	W / EARS	POSITIVE	94V-2
NO	39-01-4096	5559-09P3	9	W / O EARS	POSITIVE	94V-2
NO	39-01-4093	5559-09P2-210	9	W / EARS	POSITIVE	94V-0
NO	39-01-4097	5559-09P3-210	9	W / O EARS	POSITIVE	94V-0
NO	39-01-4102	5559-10P2	10	W / EARS	POSITIVE	94V-2
NO	39-01-4106	5559-10P3	10	W / O EARS	POSITIVE	94V-2
NO	39-01-4103	5559-10P2-210	10	W / EARS	POSITIVE	94V-0
NO	39-01-4107	5559-10P3-210	10	W / O EARS	POSITIVE	94V-0
NO	39-01-4112	5559-11P2	11	W / EARS	POSITIVE	94V-2
NO	39-01-4116	5559-11P3	11	W / O EARS	POSITIVE	94V-2
NO	39-01-4113	5559-11P2-210	11	W / EARS	POSITIVE	94V-0
NO	39-01-4117	5559-11P3-210	11	W / O EARS	POSITIVE	94V-0
NO	39-01-4122	5559-12P2	12	W / EARS	POSITIVE	94V-2
NO	39-01-4126	5559-12P3	12	W / O EARS	POSITIVE	94V-2
NO	39-01-4123	5559-12P2-210	12	W / EARS	POSITIVE	94V-0
NO	39-01-4127	5559-12P3-210	12	W / O EARS	POSITIVE	94V-0

6	5	4	3	2	1	
TOOLED	PART NO.	ENG NO.	CKT SIZE	MOUNTING OPTION	LOCK OPTION	MATERIAL (SEE NOTE 1)
NO	NO E.D.P.	5559-04P4	4	W / EARS	PASSIVE	94V-2
NO	NO E.D.P.	5559-04P5	4	W / O EARS	PASSIVE	94V-2
NO	NO E.D.P.	5559-04P4-210	4	W / EARS	PASSIVE	94V-0
NO	NO E.D.P.	5559-04P5-210	4	W / O EARS	PASSIVE	94V-0
NO	NO E.D.P.	5559-05P5-210	5	W / O EARS	PASSIVE	94V-0
NO	NO E.D.P.	5559-05P5-400	5	W / O EARS	PASSIVE	94V-0 BLACK
NO	NO E.D.P.	5559-06P4	6	W / EARS	PASSIVE	94V-2
NO	NO E.D.P.	5559-06P5	6	W / O EARS	PASSIVE	94V-2
NO	NO E.D.P.	5559-06P4-210	6	W / EARS	PASSIVE	94V-0
NO	NO E.D.P.	5559-06P5-210	6	W / O EARS	PASSIVE	94V-0
NO	NO E.D.P.	5559-07P4	7	W / EARS	PASSIVE	94V-2
NO	NO E.D.P.	5559-07P5	7	W / O EARS	PASSIVE	94V-2
NO	NO E.D.P.	5559-07P4-210	7	W / EARS	PASSIVE	94V-0
NO	NO E.D.P.	5559-07P5-210	7	W / O EARS	PASSIVE	94V-0
NO	NO E.D.P.	5559-08P4	8	W / EARS	PASSIVE	94V-2
NO	NO E.D.P.	5559-08P5	8	W / O EARS	PASSIVE	94V-2
NO	NO E.D.P.	5559-08P4-210	8	W / EARS	PASSIVE	94V-0
NO	NO E.D.P.	5559-08P5-210	8	W / O EARS	PASSIVE	94V-0
NO	NO E.D.P.	5559-09P4	9	W / EARS	PASSIVE	94V-2
NO	NO E.D.P.	5559-09P5	9	W / O EARS	PASSIVE	94V-2
NO	NO E.D.P.	5559-09P4-210	9	W / EARS	PASSIVE	94V-0
NO	NO E.D.P.	5559-09P5-210	9	W / O EARS	PASSIVE	94V-0
NO	NO E.D.P.	5559-10P4	10	W / EARS	PASSIVE	94V-2
NO	NO E.D.P.	5559-10P5	10	W / O EARS	PASSIVE	94V-2
NO	NO E.D.P.	5559-10P4-210	10	W / EARS	PASSIVE	94V-0
NO	NO E.D.P.	5559-10P5-210	10	W / O EARS	PASSIVE	94V-0
NO	NO E.D.P.	5559-11P4	11	W / EARS	PASSIVE	94V-2
NO	NO E.D.P.	5559-11P5	11	W / O EARS	PASSIVE	94V-2
NO	NO E.D.P.	5559-11P4-210	11	W / EARS	PASSIVE	94V-0
NO	NO E.D.P.	5559-11P5-210	11	W / O EARS	PASSIVE	94V-0
NO	NO E.D.P.	5559-12P4	12	W / EARS	PASSIVE	94V-2
NO	NO E.D.P.	5559-12P5	12	W / O EARS	PASSIVE	94V-2
NO	NO E.D.P.	5559-12P4-210	12	W / EARS	PASSIVE	94V-0
NO	NO E.D.P.	5559-12P5-210	12	W / O EARS	PASSIVE	94V-0

**LEGEND**



THIS DRAWING REPLACES DRAWING SD-5559-NLP+

THIS DRAWING CONTAINS INFORMATION THAT IS PROPRIETARY TO MOLEX ELECTRONIC TECHNOLOGIES, LLC AND SHOULD NOT BE USED WITHOUT WRITTEN PERMISSION											
DIMENSION UNITS <b>IN/MM</b>		SCALE <b>1:1</b>		CURRENT REV DESC: REMASTERED USING MODELS							
GENERAL TOLERANCES (UNLESS SPECIFIED)						EC NO: 782462					
4 PLACES ±		MM		INCH		DRWN: SASWAP		2024/04/18		<b>MINI-FIT JR. SERIES PLUG (SINGLE ROW)</b>	
3 PLACES ±		± 0.01		± 0.015		CHK'D: XQZHANG		2024/04/18			
2 PLACES ±		± 0.25		± 0.015		APPR: XQZHANG		2024/04/18		<b>PRODUCT CUSTOMER DRAWING</b>	
1 PLACE ±		± 0.38		±		INITIAL REVISION:					
0 PLACES ±		±		±		DRWN: KSS		1989/02/19		DOCUMENT NUMBER <b>55590002-SD</b>	
ANGULAR TOL ± 0.5 °						APPR: FSMITH		2011/03/10		DOC TYPE   DOC PART   REVISION <b>PSD   000   A2</b>	
DRAFT WHERE APPLICABLE MUST REMAIN WITHIN DIMENSIONS				THIRD ANGLE PROJECTION		DRAWING		SERIES		MATERIAL NUMBER   CUSTOMER   SHEET NUMBER SEE TABLE   GENERAL MARKET   3 OF 3	
		C-SIZE		5559							