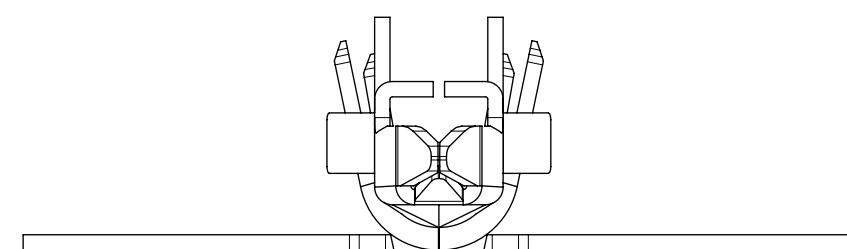


PART LEGEND

172765- * 1 2 *

| | |
|--------------------------|-----------------------------|
| SERIES | FORM |
| WIRE GAGE (INS OD RANGE) | 1 = CHAIN |
| 1 = 16 (Ø1.98-2.55) | 2 = LOOSE |
| 2 = 16 (Ø2.55-3.14) | MATERIAL |
| 3 = 18-20 (Ø1.42-2.10) | 2 = BRASS |
| 4 = 18-20 (Ø2.10-2.85) | PLATING |
| 5 = 22-24 (Ø1.07-1.65) | 1 = HOT TIN DIP (PRE-PLATE) |
| 6 = 22-24 (Ø1.65-2.38) | |

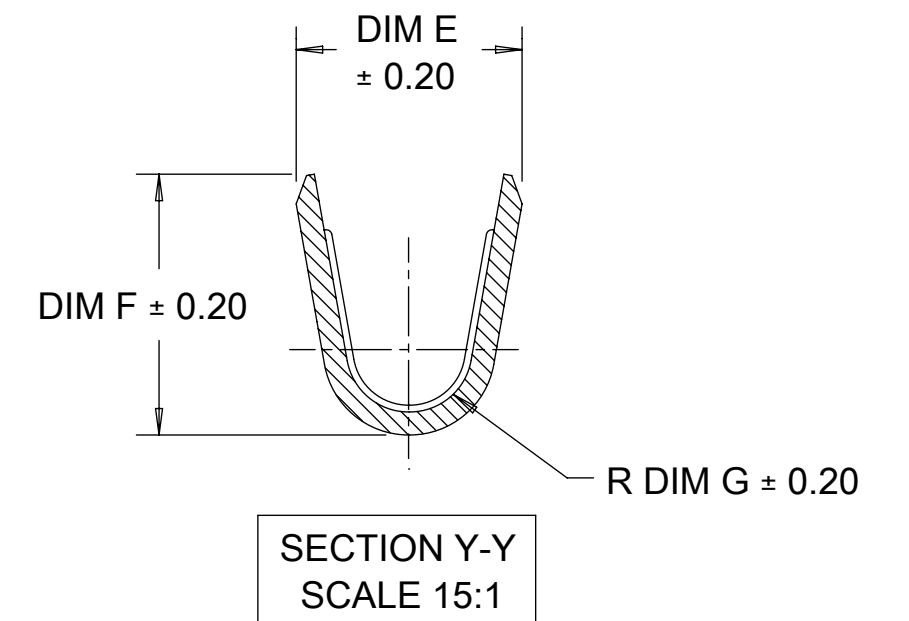
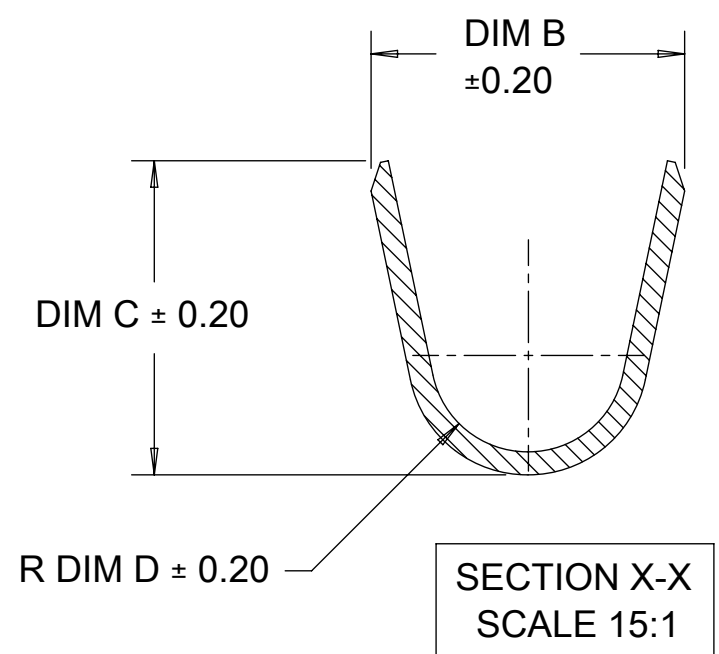
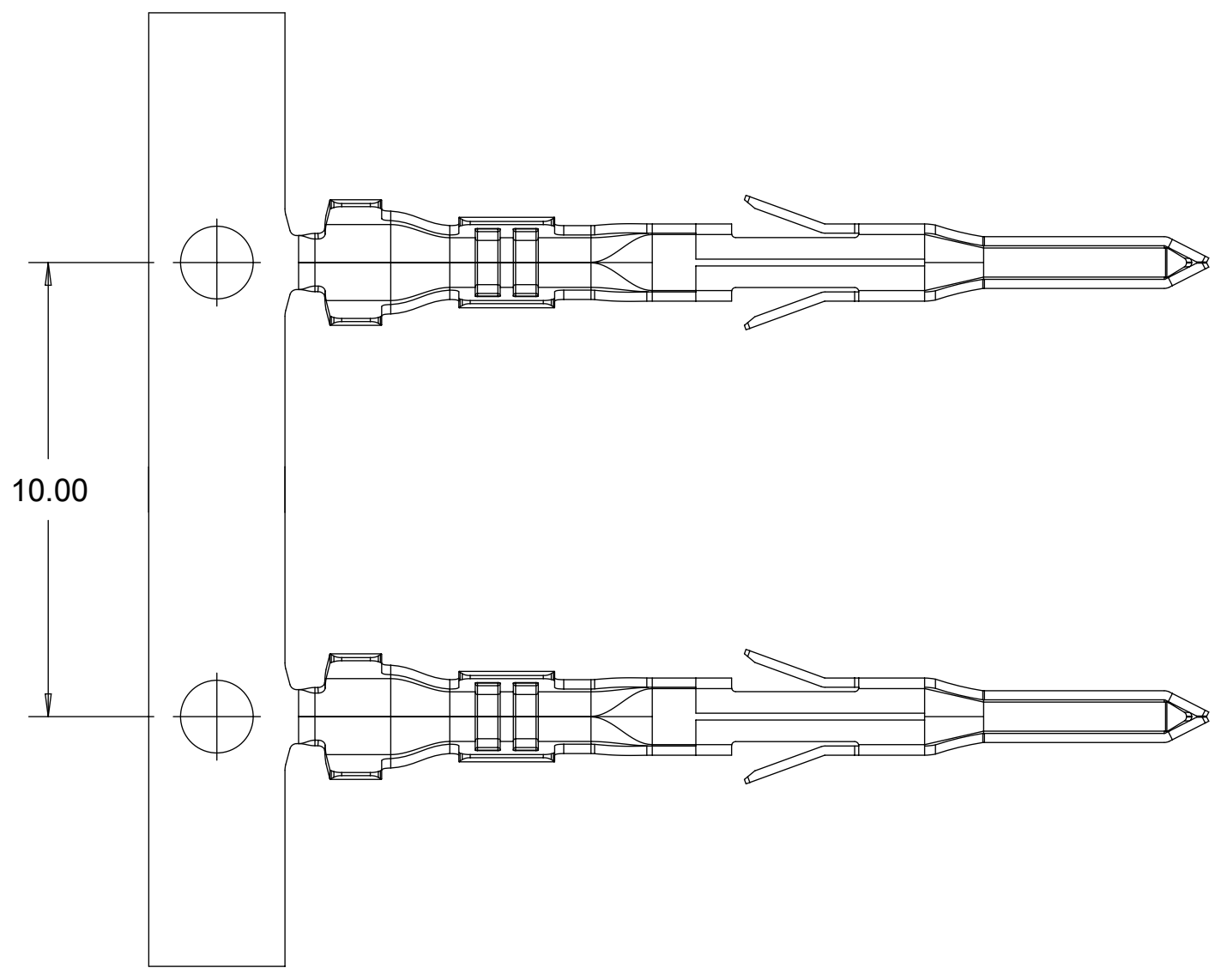
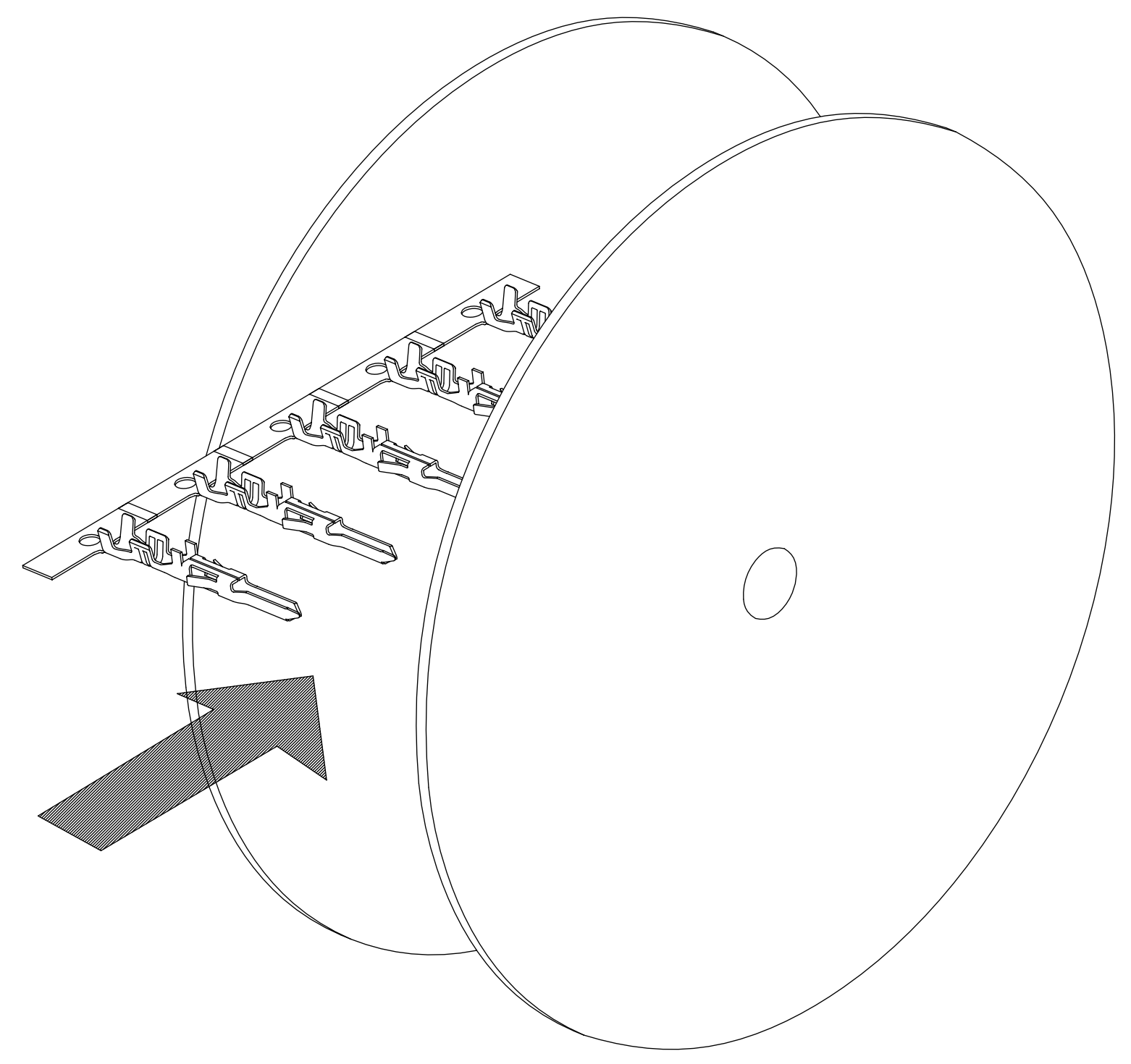


NOTES:

- MATERIAL: BRASS ALLOY
- PRE-PLATED: HOT TIN DIP, OVERALL 2.5µm MIN
- PRODUCT SPECIFICATION: PS-172718-0000
APPLICATION SPECIFICATION: AS-172718-0000
- THIS TERMINAL TO BE USED WITH HOUSING SERIES 172762 AND 172767.
- THIS TERMINAL MATES WITH FEMALE CRIMP TERMINAL SERIES 5556 & 172718.
- PACKAGING: REELS TO BE PACKED PER PK-172765-0000
LOOSE TERMINALS PER PK-172765-0001
- PART CONFORMS TO CLASS 'B' REQUIREMENTS OF COSMETIC SPEC PS-45499-002.
- WHEN TERMINALS ARE INSTALLED IN THE HOUSING THE WIRE ARE TO BE DRESSED IN SUCH A MANNER TO ALLOW THE TERMINALS TO FLOAT FREELY IN THE HOUSING POCKET
- THIS TERMINALS IS DESIGNED FOR SINGLE WIRE CRIMPING.

| | | | | | | | | | | | |
|---|--|-------|--|---------------------------|--|---------|--|--------|--|--|--|
| THIS DRAWING CONTAINS INFORMATION THAT IS PROPRIETARY TO MOLEX ELECTRONIC TECHNOLOGIES, LLC AND SHOULD NOT BE USED WITHOUT WRITTEN PERMISSION | | | | | | | | | | | |
| DIMENSION UNITS | | SCALE | | CURRENT REV DESC: | | | | | | molex | |
| mm | | NTS | | | | | | | | | |
| GENERAL TOLERANCES (UNLESS SPECIFIED) | | | | EC NO: 756815 | | | | | | CRIMP TERMINAL PLUG MINI-FIT TPA2 AND SIGMA | |
| ANGULAR TOL ± ° | | | | DRWN: JERRYW8 2023/07/17 | | | | | | | |
| 4 PLACES ± | | | | CHK'D: XQZHANG 2023/07/17 | | | | | | | |
| 3 PLACES ± | | | | APPR: XQZHANG 2023/07/17 | | | | | | PRODUCT CUSTOMER DRAWING | |
| 2 PLACES ± 0.2 | | | | INITIAL REVISION: | | | | | | DOCUMENT NUMBER | |
| 1 PLACE ± 0.2 | | | | DRWN: TGREGORI 2014/12/23 | | | | | | SD-172765-0000 | |
| 0 PLACES ± | | | | APPR: TGREGORI 2015/01/06 | | | | | | DOC TYPE DOC PART REVISION | |
| DRAFT WHERE APPLICABLE MUST REMAIN WITHIN DIMENSIONS | | | | THIRD ANGLE PROJECTION | | DRAWING | | SERIES | | SHEET NUMBER | |
| | | | | | | C-SIZE | | 172765 | | 1 OF 2 | |
| MATERIAL NUMBER | | | | CUSTOMER | | | | | | | |
| SEE TABLE | | | | GENERAL MARKET | | | | | | | |

| | 12 | 11 | 10 | 9 | 8 | 7 | 6 | 5 | 4 | 3 | 2 | 1 | |
|------------|-------------------|------------|----------|----------------------|---------------|-----------|-------|-------|-------|-------|-------|------|--|
| | MOLEX PART NUMBER | BASE MAT'L | WIRE AWG | COMBINATION WIRE AWG | WIRE OD RANGE | DIM B | DIM C | DIM D | DIM E | DIM F | DIM G | | |
| H CHAIN | 172765-1121 | BRASS | 16 | NA | 1.98-2.55 | 3.27 | 3.43 | 1.00 | 2.35 | 2.90 | 0.70 | | |
| | 172765-2121 | | | NA | 2.55-3.14 | 3.74 | 3.66 | 1.43 | | | | | |
| | 172765-3121 | | 18-20 | NA | 1.42-2.10 | 2.77 | 2.77 | 0.85 | 2.00 | 2.30 | 0.55 | | |
| | 172765-4121 | | | 22+22 AWG | 2.10-2.85 | 3.36 | 3.37 | 1.25 | | | | | |
| | 172765-5121 | | 22-24 | NA | 1.07-1.65 | 2.33 | 2.27 | 0.70 | 1.68 | 1.65 | 0.40 | | |
| | 172765-6121 | | | NA | 1.65-2.38 | 3.14 | 3.09 | 1.00 | | | | | |
| G LOOSE | 172765-1122 | | BRASS | 16 | NA | 1.98-2.55 | 3.27 | 3.43 | 1.00 | 2.35 | 2.90 | 0.70 | |
| | 172765-2122 | | | | NA | 2.55-3.14 | 3.74 | 3.66 | 1.43 | | | | |
| | 172765-3122 | | | 18-20 | NA | 1.42-2.10 | 2.77 | 2.77 | 0.85 | 2.00 | 2.30 | 0.55 | |
| | 172765-4122 | | | | NA | 2.10-2.85 | 3.36 | 3.37 | 1.25 | | | | |
| | 172765-5122 | | | 22-24 | NA | 1.07-1.65 | 2.33 | 2.27 | 0.70 | 1.68 | 1.65 | 0.40 | |
| | 172765-6122 | | | | NA | 1.65-2.38 | 3.14 | 3.09 | 1.00 | | | | |



| | | | | | | | | | | | | | | | |
|---|--|-------|--|---------------------------|--|---------|--|--|--|-----------------|--|----------------|--|--------------|--|
| THIS DRAWING CONTAINS INFORMATION THAT IS PROPRIETARY TO MOLEX ELECTRONIC TECHNOLOGIES, LLC AND SHOULD NOT BE USED WITHOUT WRITTEN PERMISSION | | | | | | | | | | | | | | | |
| DIMENSION UNITS | | SCALE | | CURRENT REV DESC: | | | | | | | | | | | |
| mm | | NTS | | | | | | | | | | | | | |
| GENERAL TOLERANCES (UNLESS SPECIFIED) | | | | EC NO: 756815 | | | | CRIMP TERMINAL PLUG MINI-FIT TPA2 AND SIGMA | | | | | | | |
| ANGULAR TOL ± ° | | | | DRWN: JERRYW8 2023/07/17 | | | | | | | | | | | |
| 4 PLACES ± | | | | CHK'D: XQZHANG 2023/07/17 | | | | PRODUCT CUSTOMER DRAWING | | | | | | | |
| 3 PLACES ± | | | | APPR: XQZHANG 2023/07/17 | | | | | | | | | | | |
| 2 PLACES ± 0.2 | | | | INITIAL REVISION: | | | | DOCUMENT NUMBER | | | | | | | |
| 1 PLACE ± 0.2 | | | | DRWN: TGREGORI 2014/12/23 | | | | SD-172765-0000 | | | | | | | |
| 0 PLACES ± | | | | APPR: TGREGORI 2015/01/06 | | | | DOC TYPE DOC PART REVISION | | | | | | | |
| DRAFT WHERE APPLICABLE MUST REMAIN WITHIN DIMENSIONS | | | | THIRD ANGLE PROJECTION | | DRAWING | | SERIES | | MATERIAL NUMBER | | CUSTOMER | | SHEET NUMBER | |
| | | | | | | C-SIZE | | 172765 | | SEE TABLE | | GENERAL MARKET | | 2 OF 2 | |

| | | | | |
|-----------------|----|--------------|------------|----------|
| DOCUMENT STATUS | P1 | RELEASE DATE | 2023/07/17 | 04:34:41 |
|-----------------|----|--------------|------------|----------|