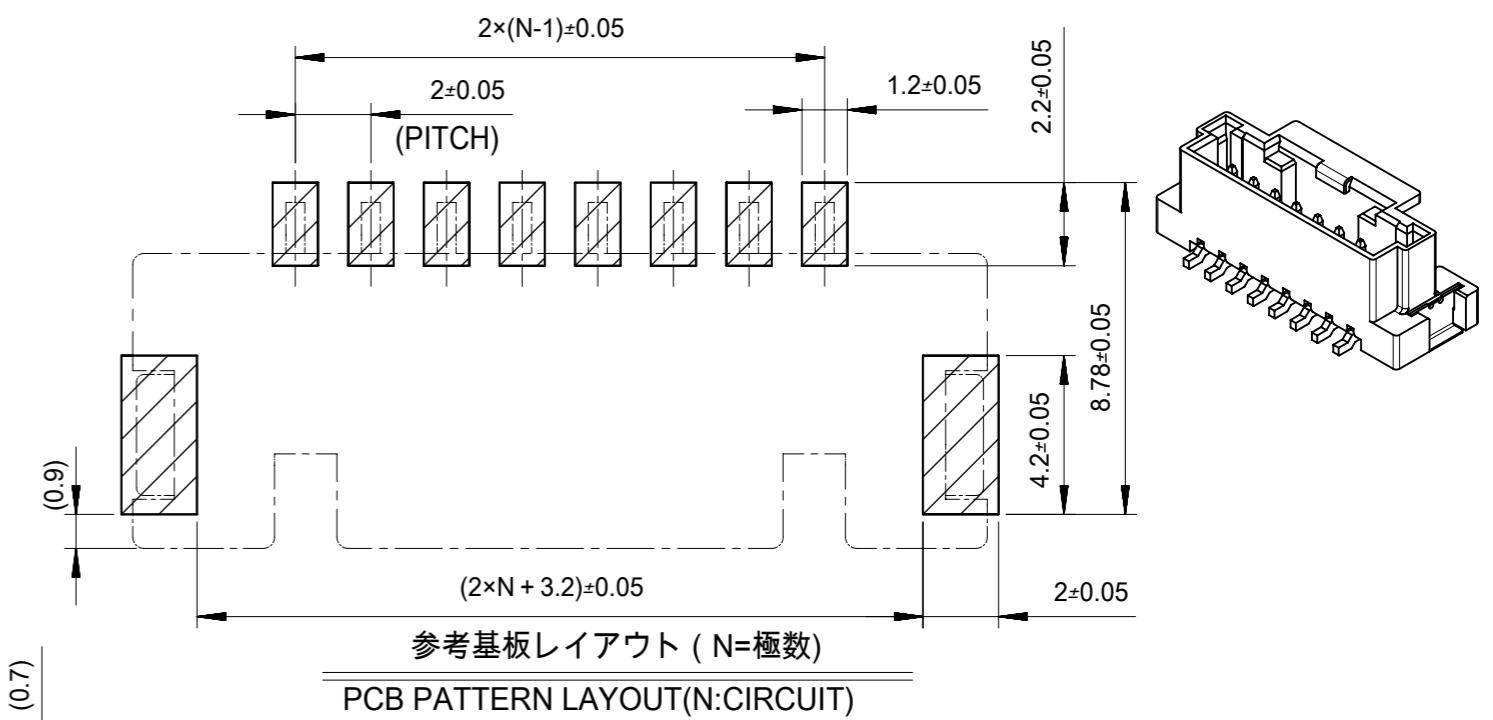
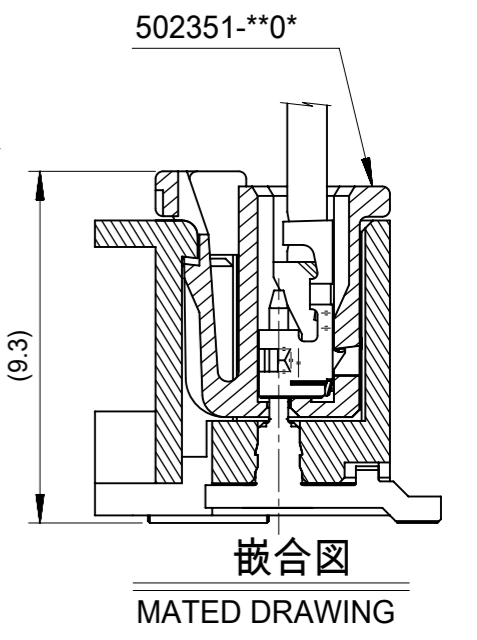
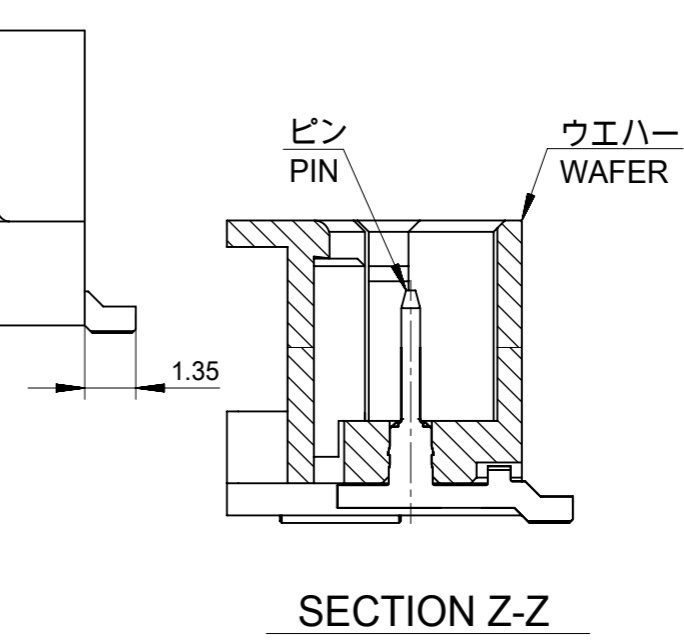


8CKTS



フィッティングネイル  
FITTING NAIL



注記  
NOTES

- 材質  
ウエハー: 耐熱性ナイロン UL94V-0  
ピン: 銅合金、ニッケル下地、錫メッキ、金メッキ  
フィッティングネイル: 銅合金、ニッケル下地、錫メッキ  
MATERIAL  
WAFER: POLYAMIDE UL94V-0  
PIN: COPPER ALLOY, GOLD OR TIN OVER NICKEL PLATE.  
FITTING NAIL: COPPER ALLOY, TIN OVER NICKEL PLATE.
- 色: ナチュラル、黒、赤、青  
COLOR: NATURAL, BLACK, RED, BLUE
- 嵌合相手:  
ハウジング: 502351-\*\*0\*  
錫メッキ端子: 50212-8\*00, 50372-8\*00, 560085-0101  
金メッキ端子: 56161-8\*81  
MATES WITH  
HOUSING: 502351-\*\*0\*  
SN PLATING TERMINAL: 50212-8\*00, 50372-8\*00, 560085-0101  
AU PLATING TERMINAL: 56161-8\*81

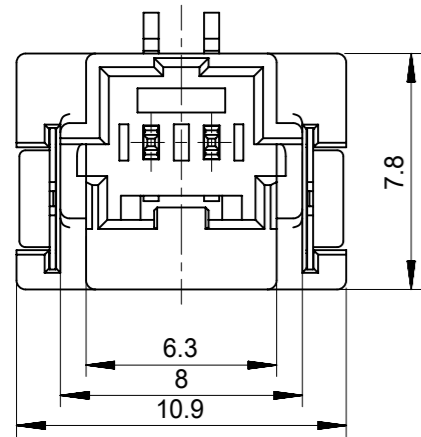
- インボス梱包品の詳細はSD-560020-002参照  
DETAILED TAPING PACKAGE, SEE SD-560020-002
- 半田付け面のコプラナリティ: 0.1mm MAX.  
CO-PLANARITY OF SOLDER TAILS TO BE 0.1mm MAX.
- 一般公差  
GENERAL TOLERANCES  
10 UNDER: ±0.2  
10 OVER 30 UNDER: ±0.25  
30 OVER: ±0.3  
ANGULAR: ±1°

INITIAL REVISION:

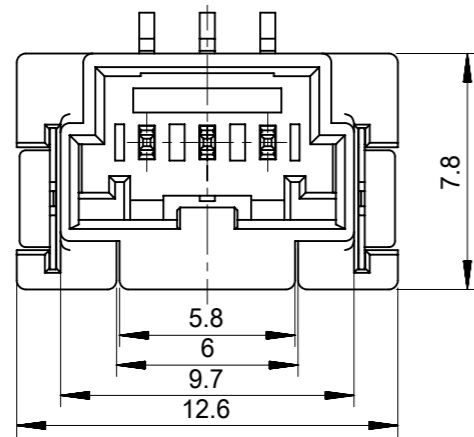
DRWN	SHSHIBATA	2009/02/18
CHECK	HKOMATSU	2009/02/18
APPR	AKANESHIGE	2009/02/18

FUNCTIONAL SYMBOLS	THIS DRAWING CONTAINS INFORMATION THAT IS PROPRIETARY TO MOLEX ELECTRONIC TECHNOLOGIES, LLC AND SHOULD NOT BE USED WITHOUT WRITTEN PERMISSION		SCALE		CURRENT REV DESC:
	FA=0	mm	5:1		
DIVISIONAL SYMBOLS	GENERAL TOLERANCES (UNLESS SPECIFIED)		EC NO: 635305		DRWN: MUNEMOTO 2020/04/02
	FB=0	4 PLACES ±	MM	INCH	
FUNCTIONAL SYMBOLS	FC=0	3 PLACES ±	APPR: TOSADA 2020/04/06		INITIAL REVISION:
	FD=0	2 PLACES ±	DRWN: DRAWN BY 0099/99/99		APPR: APPR BY 0099/99/99
DRAFT WHERE APPLICABLE MUST REMAIN WITHIN DIMENSIONS		THIRD ANGLE PROJECTION		DRAWING	SERIES
		A3-SIZE		560020	MATERIAL NUMBER
		GENERAL MARKET		CUSTOMER	
		1 OF 4		SHEET NUMBER	

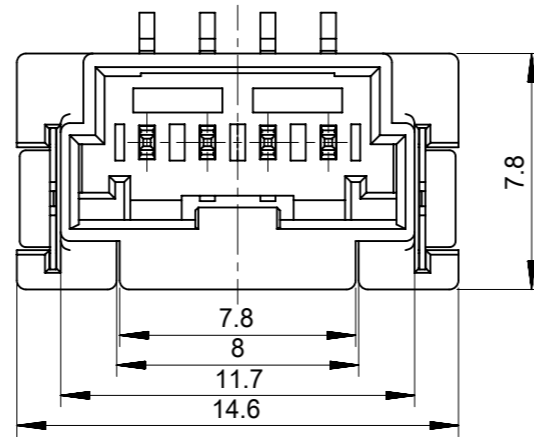
DOCUMENT STATUS	P1	RELEASE DATE	2020/04/06	00:33:42
-----------------	----	--------------	------------	----------



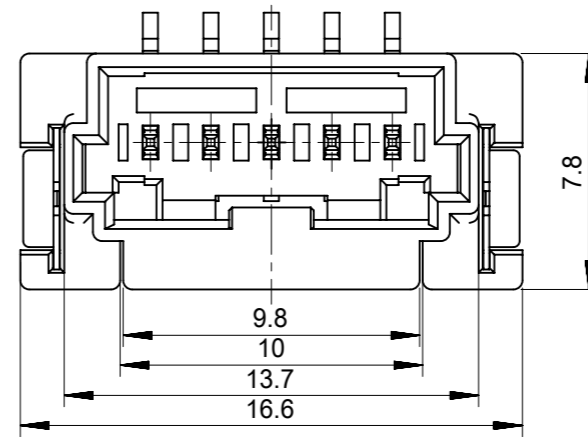
2CKTS



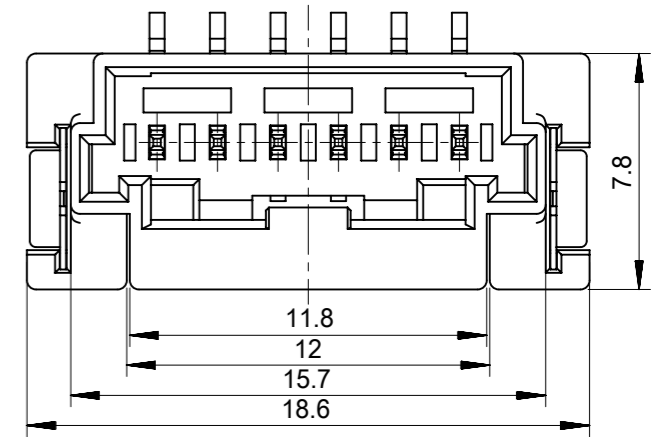
3CKTS



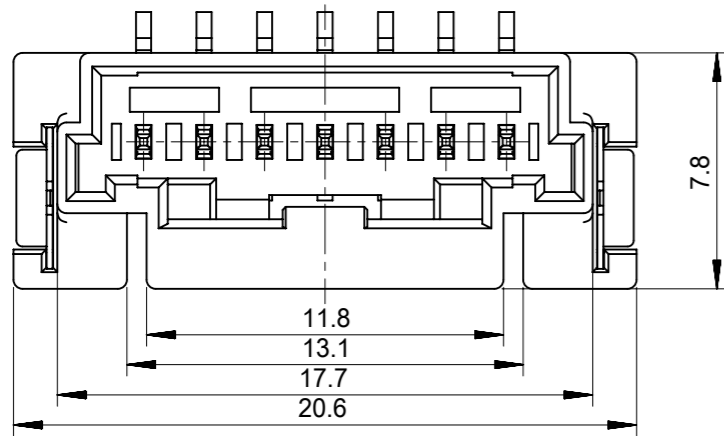
4CKTS



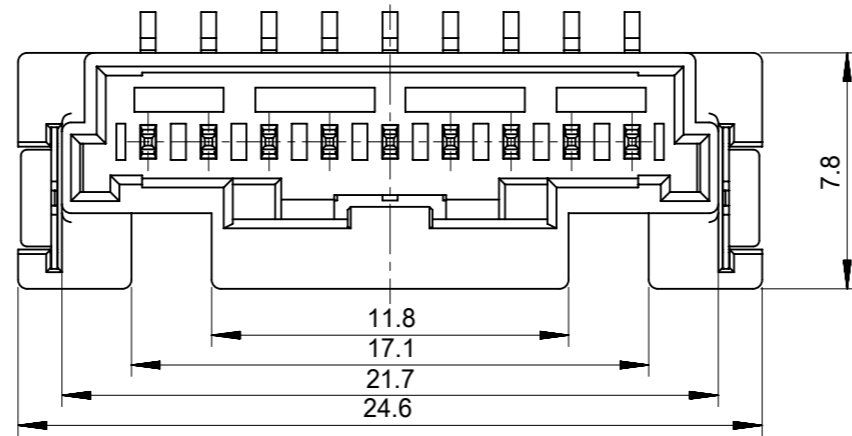
5CKTS



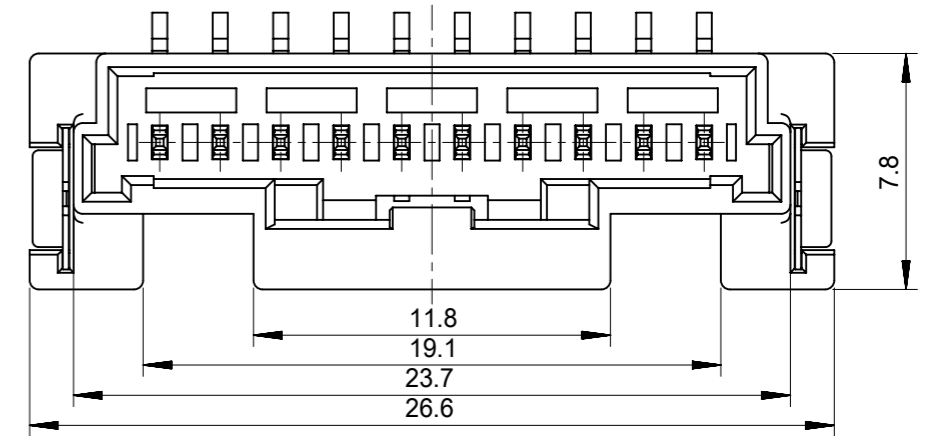
6CKTS



7CKTS



9CKTS



10CKTS

INITIAL REVISION:  
 DRWN SHSHIBATA 2009/02/18  
 CHECK HKOMATSU 2009/02/18  
 APPR AKANESHIGE 2009/02/18

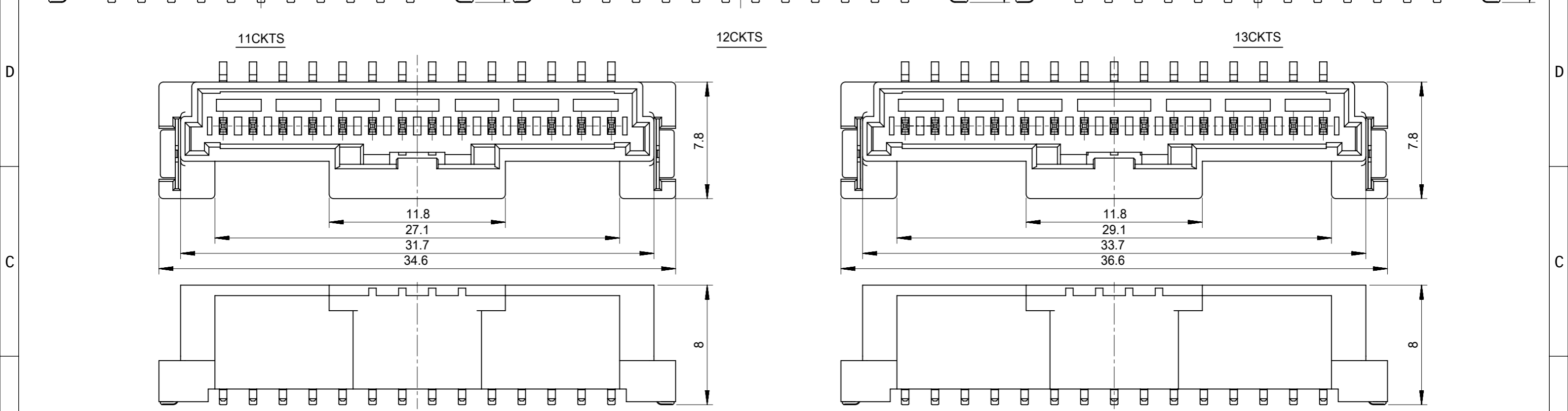
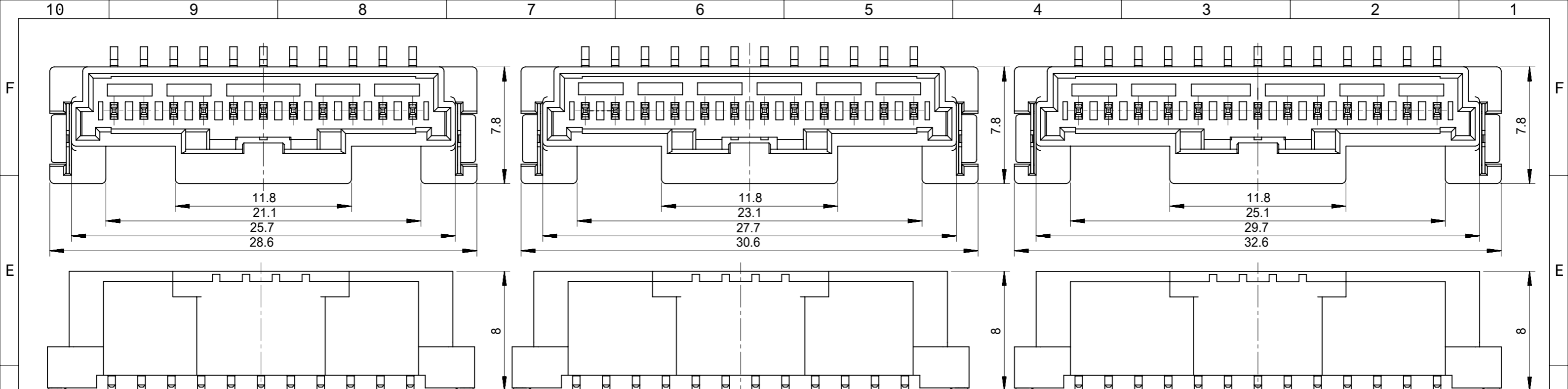
FUNCTIONAL SYMBOLS FA = 0 FB = 0 FC = 0	THIS DRAWING CONTAINS INFORMATION THAT IS PROPRIETARY TO MOLEX ELECTRONIC TECHNOLOGIES, LLC AND SHOULD NOT BE USED WITHOUT WRITTEN PERMISSION	SCALE 4:1		CURRENT REV DESC:	
	GENERAL TOLERANCES (UNLESS SPECIFIED)	MM INCH		EC NO: 635305	
DIVISIONAL SYMBOLS	4 PLACES ±	3 PLACES ±	2 PLACES ±	1 PLACE ±	0 PLACES ±
	ANGULAR TOL ± °		DRAFT WHERE APPLICABLE MUST REMAIN WITHIN DIMENSIONS		
THIRD ANGLE PROJECTION		DRAWING	SERIES	MATERIAL NUMBER	CUSTOMER
A3-SIZE		560020	GENERAL MARKET	SHEET NUMBER 2 OF 4	

**molex**

2.0MM PITCH W/B CONN.  
WAFER ASSY ST. SMT

PRODUCT CUSTOMER DRAWING

DOCUMENT NUMBER: SD-560020-001  
 DOC TYPE: PSD  
 DOC PART: 001  
 REVISION: K



DOCUMENT STATUS	P1	RELEASE DATE	2020/04/06	00:33:42
-----------------	----	--------------	------------	----------

INITIAL REVISION:  
 DRWN SHSHIBATA 2009/02/18  
 CHECK HKOMATSU 2009/02/18  
 APPR AKANESHIGE 2009/02/18

FUNCTIONAL SYMBOLS FA = 0 FB = 0 FC = 0	THIS DRAWING CONTAINS INFORMATION THAT IS PROPRIETARY TO MOLEX ELECTRONIC TECHNOLOGIES, LLC AND SHOULD NOT BE USED WITHOUT WRITTEN PERMISSION		CURRENT REV DESC:		
	DIMENSION UNITS	SCALE	EC NO: 635305		
	mm	4:1	DRWN: MUNEMOTO 2020/04/02		2.0MM PITCH W/B CONN. WAFER ASSY ST. SMT
	GENERAL TOLERANCES (UNLESS SPECIFIED)		CHK'D: HIJIMA 2020/04/03		
	MM INCH		APPR: TOSADA 2020/04/06		PRODUCT CUSTOMER DRAWING
	4 PLACES ±	±	INITIAL REVISION:		
	3 PLACES ±	±	DRWN: DRAWN BY 0099/99/99		DOCUMENT NUMBER
	2 PLACES ±	±	APPR: APPR BY 0099/99/99		SD-560020-001
	1 PLACE ±	±	THIRD ANGLE PROJECTION		DOC TYPE
	0 PLACES ±	±	DRAWING		PSD
	ANGULAR TOL ± °	± °	SERIES		DOC PART
	DRAFT WHERE APPLICABLE MUST REMAIN WITHIN DIMENSIONS		A3-SIZE		001
			560020		REVISION
			GENERAL MARKET		K
			SHEET NUMBER		3 OF 4

Sn NATURAL	11.8	29.1	33.7	36.6	560020-1520	15
	11.8	27.1	31.7	34.6	560020-1420	14
	11.8	25.1	29.7	32.6	560020-1320	13
	11.8	23.1	27.7	30.6	560020-1220	12
	11.8	21.1	25.7	28.6	560020-1120	11
	11.8	19.1	23.7	26.6	560020-1020	10
	11.8	17.1	21.7	24.6	560020-0920	9
	11.8	15.1	19.7	22.6	560020-0820	8
	11.8	13.1	17.7	20.6	560020-0720	7
	11.8	12	15.7	18.6	560020-0620	6
	9.8	10	13.7	16.6	560020-0520	5
	7.8	8	11.7	14.6	560020-0420	4
	5.8	6	9.7	12.6	560020-0320	3
	6.3	/	8.0	10.9	560020-0220	2
PLATING COLOR	D	C	B	A	EMBOSSED PACKAGE ORDER NO.	CKTS
CONNECTOR SERIES NO. 560020-**08						

Au NATURAL	11.8	29.1	33.7	36.6	560020-1530	15
	11.8	27.1	31.7	34.6	560020-1430	14
	11.8	25.1	29.7	32.6	560020-1330	13
	11.8	23.1	27.7	30.6	560020-1230	12
	11.8	21.1	25.7	28.6	560020-1130	11
	11.8	19.1	23.7	26.6	560020-1030	10
	11.8	17.1	21.7	24.6	560020-0930	9
	11.8	15.1	19.7	22.6	560020-0830	8
	11.8	13.1	17.7	20.6	560020-0730	7
	11.8	12	15.7	18.6	560020-0630	6
	9.8	10	13.7	16.6	560020-0530	5
	7.8	8	11.7	14.6	560020-0430	4
	5.8	6	9.7	12.6	560020-0330	3
	6.3	/	8.0	10.9	560020-0230	2
PLATING COLOR	D	C	B	A	EMBOSSED PACKAGE ORDER NO.	CKTS
CONNECTOR SERIES NO. 560020-**18						

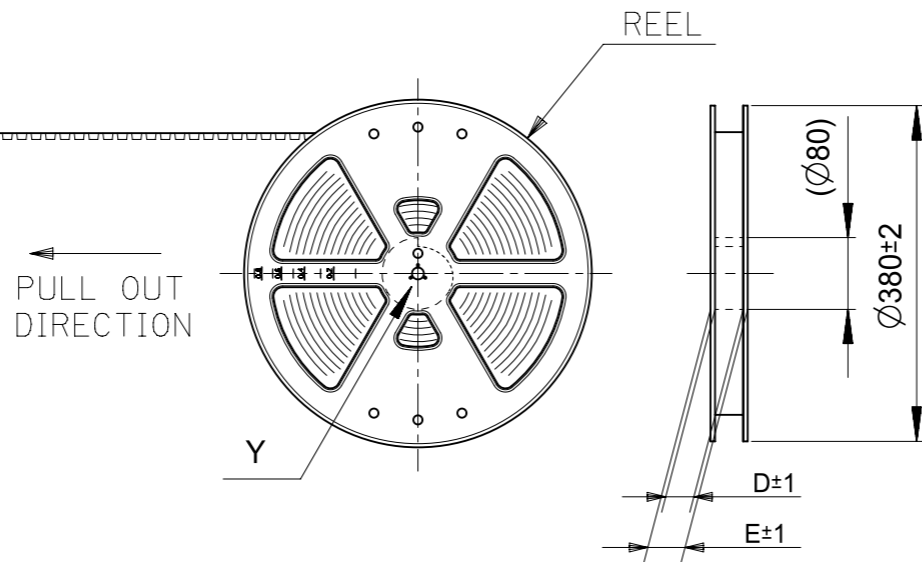
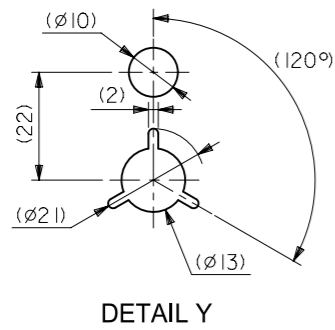
Sn BLACK	11.8	29.1	33.7	36.6	560020-1521	15
	11.8	27.1	31.7	34.6	560020-1421	14
	11.8	25.1	29.7	32.6	560020-1321	13
	11.8	23.1	27.7	30.6	560020-1221	12
	11.8	21.1	25.7	28.6	560020-1121	11
	11.8	19.1	23.7	26.6	560020-1021	10
	11.8	17.1	21.7	24.6	560020-0921	9
	11.8	15.1	19.7	22.6	560020-0821	8
	11.8	13.1	17.7	20.6	560020-0721	7
	11.8	12	15.7	18.6	560020-0621	6
	9.8	10	13.7	16.6	560020-0521	5
	7.8	8	11.7	14.6	560020-0421	4
	5.8	6	9.7	12.6	560020-0321	3
	6.3	/	8.0	10.9	560020-0221	2
PLATING COLOR	D	C	B	A	EMBOSSED PACKAGE ORDER NO.	CKTS
CONNECTOR SERIES NO. 560020-**28						

Sn RED	/	/	/	/	/	15
	/	/	/	/	/	14
	/	/	/	/	/	13
	/	/	/	/	/	12
	/	/	/	/	/	11
	/	/	/	/	/	10
	/	/	/	/	/	9
	11.8	15.1	19.7	22.6	560020-0822	8
	/	/	/	/	/	7
	11.8	12	15.7	18.6	560020-0622	6
	/	/	/	/	/	5
	7.8	8	11.7	14.6	560020-0422	4
	5.8	6	9.7	12.6	560020-0322	3
	6.3	/	8.0	10.9	560020-0222	2
PLATING COLOR	D	C	B	A	EMBOSSED PACKAGE ORDER NO.	CKTS
CONNECTOR SERIES NO. 560020-**48						

Sn BLUE	/	/	/	/	/	15
	/	/	/	/	/	14
	/	/	/	/	/	13
	/	/	/	/	/	12
	/	/	/	/	/	11
	/	/	/	/	/	10
	/	/	/	/	/	9
	11.8	15.1	19.7	22.6	560020-0823	8
	/	/	/	/	/	7
	11.8	12	15.7	18.6	560020-0623	6
	/	/	/	/	/	5
	7.8	8	11.7	14.6	560020-0423	4
	5.8	6	9.7	12.6	560020-0323	3
	6.3	/	8.0	10.9	560020-0223	2
PLATING COLOR	D	C	B	A	EMBOSSED PACKAGE ORDER NO.	CKTS
CONNECTOR SERIES NO. 560020-**68						

INITIAL REVISION:  
 DRWN SHSHIBATA 2009/02/18  
 CHECK HKOMATSU 2009/02/18  
 APPR AKANESHIGE 2009/02/18

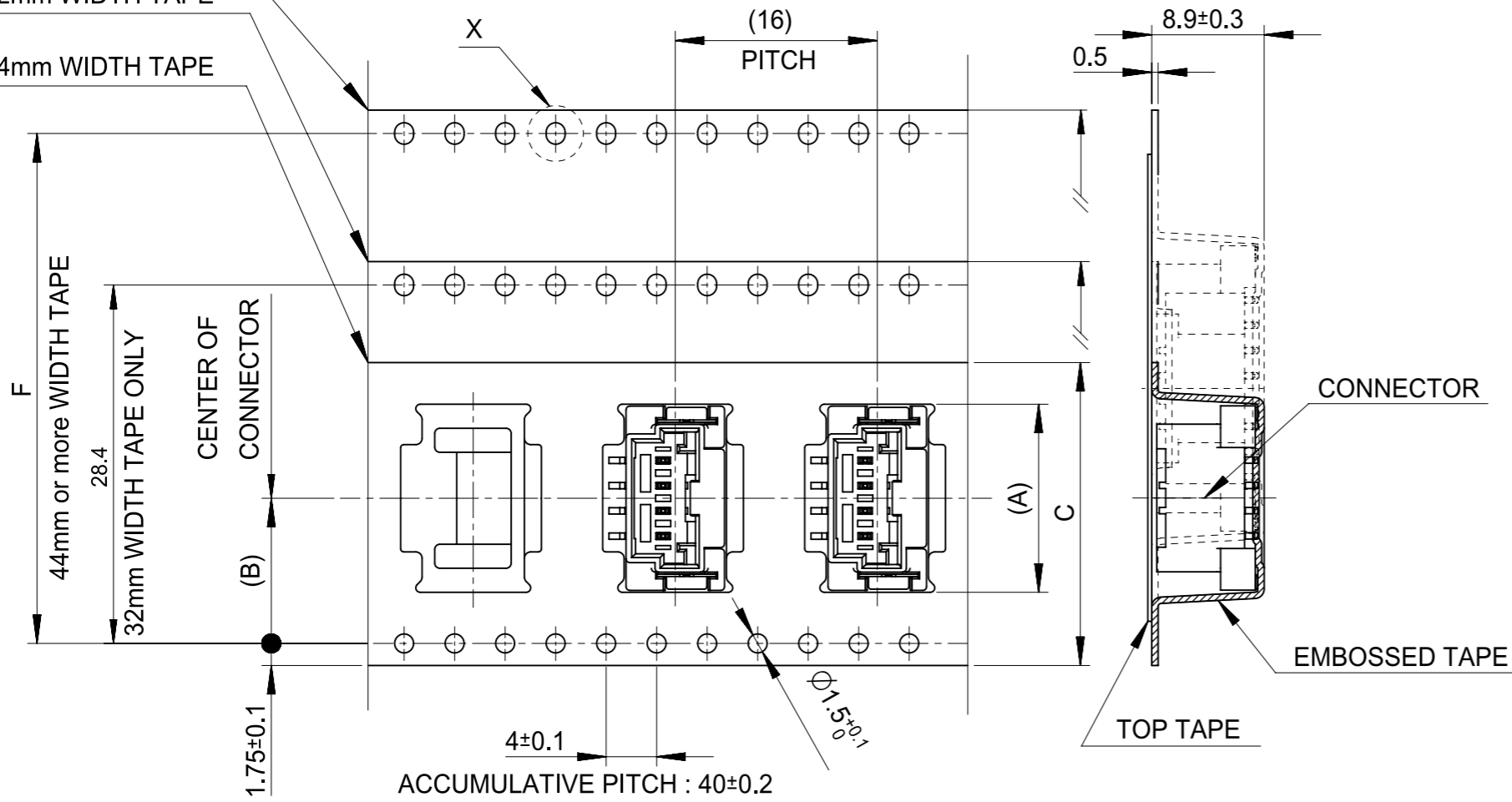
FUNCTIONAL SYMBOLS		THIS DRAWING CONTAINS INFORMATION THAT IS PROPRIETARY TO MOLEX ELECTRONIC TECHNOLOGIES, LLC AND SHOULD NOT BE USED WITHOUT WRITTEN PERMISSION	
FA = 0	mm	SCALE 1:1	CURRENT REV DESC:
FB = 0	GENERAL TOLERANCES (UNLESS SPECIFIED)		EC NO: 635305 DRWN: MUNEMOTO 2020/04/02 CHK'D: HIJIMA 2020/04/03 APPR: TOSADA 2020/04/06
FC = 0	MM INCH		
DIVISIONAL SYMBOLS		1 PLACE ±	
		3 PLACES ±	
		2 PLACES ±	
		0 PLACES ±	
		ANGULAR TOL ± °	
DRAFT WHERE APPLICABLE MUST REMAIN WITHIN DIMENSIONS		THIRD ANGLE PROJECTION	DRAWING A3-SIZE
		SERIES 560020	MATERIAL NUMBER
		CUSTOMER GENERAL MARKET	SHEET NUMBER 4 OF 4
		DOCUMENT NUMBER SD-560020-001	
		DOC TYPE PSD	
		DOC PART 001	
		REVISION K	
		PRODUCT CUSTOMER DRAWING	
		molex	
		2.0MM PITCH W/B CONN. WAFER ASSY ST. SMT	



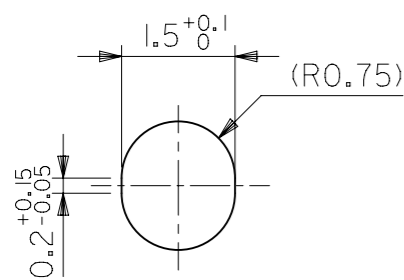
44mm or more  
WIDTH TAPE

32mm WIDTH TAPE

24mm WIDTH TAPE



PULL OUT DIRECTION  
DIRECTION OF CONNECTOR  
IN EMBOSSED TAPE



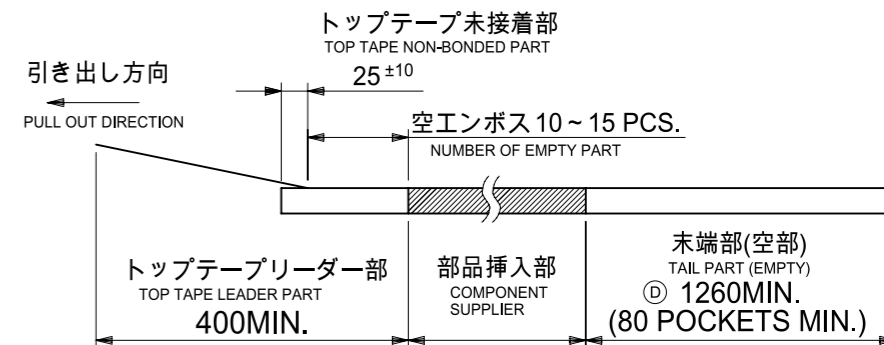
DETAIL X  
(SCALE 10:1)

NOTES

- 製品番号：  
 ナチュラル・錫めっき 560020-\*\*20  
 ナチュラル・金めっき 560020-\*\*30  
 黒・錫めっき 560020-\*\*21  
 赤・錫めっき 560020-\*\*22  
 青・錫めっき 560020-\*\*23  
 詳細寸法については、製品単体図面を参照ください。

PART NO.  
 NATURAL・Sn Plating 560020-\*\*20  
 NATURAL・Au Plating 560020-\*\*30  
 BLACK・Sn Plating 560020-\*\*21  
 RED・Sn Plating 560020-\*\*22  
 BLUE・Sn Plating 560020-\*\*23  
 SEE SALES DRAWING FOR CONNECTOR

- 梱包数量： 650個/REEL  
 NUMBER OF CONNECTORS 650 PCS/REEL
- リードテープ長さ  
 LEAD TAPE LENGTH



- 材料  
 MATERIAL  
 キャリアテープ： ポリスチレン  
 CARRIER TAPE: POLYSTYRENE  
 トップテープ： PET, PE, PEF  
 TOP TAPE: PET, PE, PEF  
 リール： ポリスチレン  
 REEL: POLYSTYRENE

- 一般公差  
 GENERAL TOLERANCES  
 10 UNDER: ±0.2  
 10 OVER 30 UNDER: ±0.25  
 30 OVER: ±0.3  
 ANGULAR: ±1°

FUNCTIONAL SYMBOLS	THIS DRAWING CONTAINS INFORMATION THAT IS PROPRIETARY TO MOLEX ELECTRONIC TECHNOLOGIES, LLC AND SHOULD NOT BE USED WITHOUT WRITTEN PERMISSION		CURRENT REV DESC:		<b>molex</b>
	FA = 0	mm NTS	SCALE		
DIVISIONAL SYMBOLS	FE = 0	GENERAL TOLERANCES (UNLESS SPECIFIED)		PHASE:	PRODUCT SALES DRAWING
	FP = 0	MM INCH	4 PLACES ±	CO NO:	
		3 PLACES ±	DRWN: Hideo Yoneyama	2023-10-23	DOCUMENT NUMBER
		2 PLACES ±	CHK'D: Hiromichi Komatsu	2023-10-23	
		1 PLACE ±	APPR: Takashi Iida	2023-10-24	DOC TYPE
		0 PLACES ±	INITIAL REVISION:		DOC PART
		ANGULAR TOL ± 0.5°	DRWN: YTAMAKI	2014/05/23	REVISION
			APPR: MAYAMAMOTO	2014/06/30	F2
DRAFT WHERE APPLICABLE MUST REMAIN WITHIN DIMENSIONS		THIRD ANGLE PROJECTION	DRAWING	SERIES	MATERIAL NUMBER
			A3-SIZE	560020	CUSTOMER
					SEE CHART
					GENERAL MARKET
					SHEET NUMBER
					1 OF 2

Sn NATURAL	52.4	61.4	57.4	56	26.2	36.9	560020-1520	15	
						34.9	560020-1420	14	
						32.9	560020-1320	13	
	40.4	49.4	45.4	44	20.2	30.9	560020-1220	12	
						28.9	560020-1120	11	
						26.9	560020-1020	10	
						24.9	560020-0920	09	
						22.9	560020-0820	08	
						20.9	560020-0720	07	
	28.4	37.4	33.4	32	14.2	18.9	560020-0620	06	
						16.9	560020-0520	05	
						14.9	560020-0420	04	
	/	29.4	25.4	24	11.5	12.9	560020-0320	03	
11.2						560020-0220	02		
PLATING COLOR						F	E	D	C

Au NATURAL	52.4	61.4	57.4	56	26.2	36.9	560020-1530	15	
						34.9	560020-1430	14	
						32.9	560020-1330	13	
	40.4	49.4	45.4	44	20.2	30.9	560020-1230	12	
						28.9	560020-1130	11	
						26.9	560020-1030	10	
						24.9	560020-0930	09	
						22.9	560020-0830	08	
						20.9	560020-0730	07	
	28.4	37.4	33.4	32	14.2	18.9	560020-0630	06	
						16.9	560020-0530	05	
						14.9	560020-0430	04	
	/	29.4	25.4	24	11.5	12.9	560020-0330	03	
11.2						560020-0230	02		
PLATING COLOR						F	E	D	C

Sn BLACK	52.4	61.4	57.4	56	26.2	36.9	560020-1521	15	
						34.9	560020-1421	14	
						32.9	560020-1321	13	
	40.4	49.4	45.4	44	20.2	30.9	560020-1221	12	
						28.9	560020-1121	11	
						26.9	560020-1021	10	
						24.9	560020-0921	09	
						22.9	560020-0821	08	
						20.9	560020-0721	07	
	28.4	37.4	33.4	32	14.2	18.9	560020-0621	06	
						16.9	560020-0521	05	
						14.9	560020-0421	04	
	/	29.4	25.4	24	11.5	12.9	560020-0321	03	
11.2						560020-0221	02		
PLATING COLOR						F	E	D	C

Sn RED	/	/	/	/	/	/	/	15	
	/	/	/	/	/	/	/	14	
	/	/	/	/	/	/	/	13	
	40.4	49.4	45.4	44	20.2	/	/	12	
						/	/	11	
						/	/	10	
						/	/	09	
						/	/	08	
						/	/	07	
	28.4	37.4	33.4	32	14.2	18.9	560020-0622	06	
						/	/	05	
						/	/	04	
	/	29.4	25.4	24	11.5	12.9	560020-0322	03	
11.2						560020-0222	02		
PLATING COLOR						F	E	D	C

Sn BLUE	/	/	/	/	/	/	/	15	
	/	/	/	/	/	/	/	14	
	/	/	/	/	/	/	/	13	
	40.4	49.4	45.4	44	20.2	/	/	12	
						/	/	11	
						/	/	10	
						/	/	09	
						22.9	560020-0823	08	
						/	/	07	
	28.4	37.4	33.4	32	14.2	18.9	560020-0623	06	
						/	/	05	
						/	/	04	
	/	29.4	25.4	24	11.5	12.9	560020-0323	03	
11.2						560020-0223	02		
PLATING COLOR						F	E	D	C

FUNCTIONAL SYMBOLS	THIS DRAWING CONTAINS INFORMATION THAT IS PROPRIETARY TO MOLEX ELECTRONIC TECHNOLOGIES, LLC AND SHOULD NOT BE USED WITHOUT WRITTEN PERMISSION		CURRENT REV DESC:		<b>molex</b>
$\nabla_A = 0$ $\nabla_F = 0$ $\nabla_P = 0$	DIMENSION UNITS	SCALE	PHASE:		
	mm	NTS	CO NO:		2.0MM PITCH W/B ST. WAFER ASSY EMBOSSED TAPE PACKAGE
	GENERAL TOLERANCES (UNLESS SPECIFIED)		DRWN: Hideo Yoneyama 2023-10-23		
	MM INCH		CHK'D: Hiromichi Komatsu 2023-10-23		
DIVISIONAL SYMBOLS	4 PLACES ±		APPR: Takashi Iida 2023-10-24		PRODUCT SALES DRAWING
	3 PLACES ±		INITIAL REVISION:		
	2 PLACES ±		DRWN: YTAMAKI 2014/05/23		DOCUMENT NUMBER
	1 PLACE ±		APPR: MAYAMAMOTO 2014/06/30		
	0 PLACES ±		DRAWING		SD-560020-003
	ANGULAR TOL ± 0.5°		SERIES		
	DRAFT WHERE APPLICABLE MUST REMAIN WITHIN DIMENSIONS		THIRD ANGLE PROJECTION		DOC TYPE
			A3-SIZE		DOC PART
			560020		REVISION
			SEE CHART		F2
			GENERAL MARKET		
			2 OF 2		