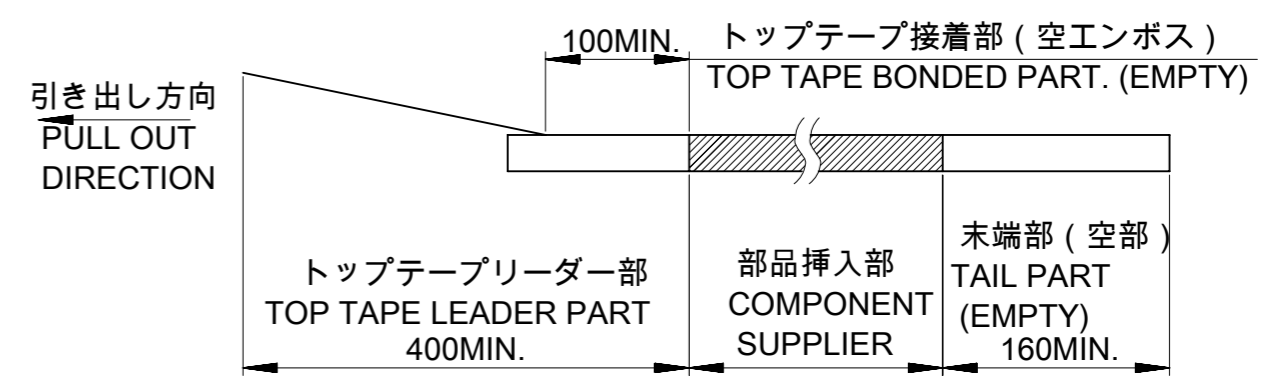


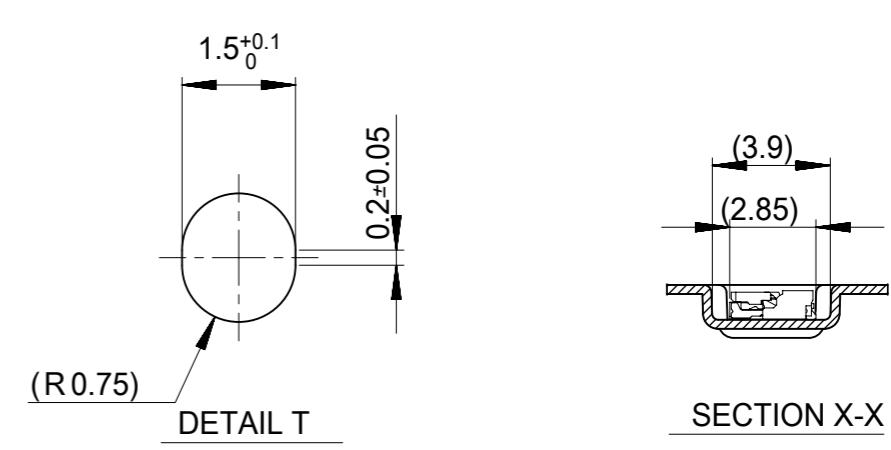
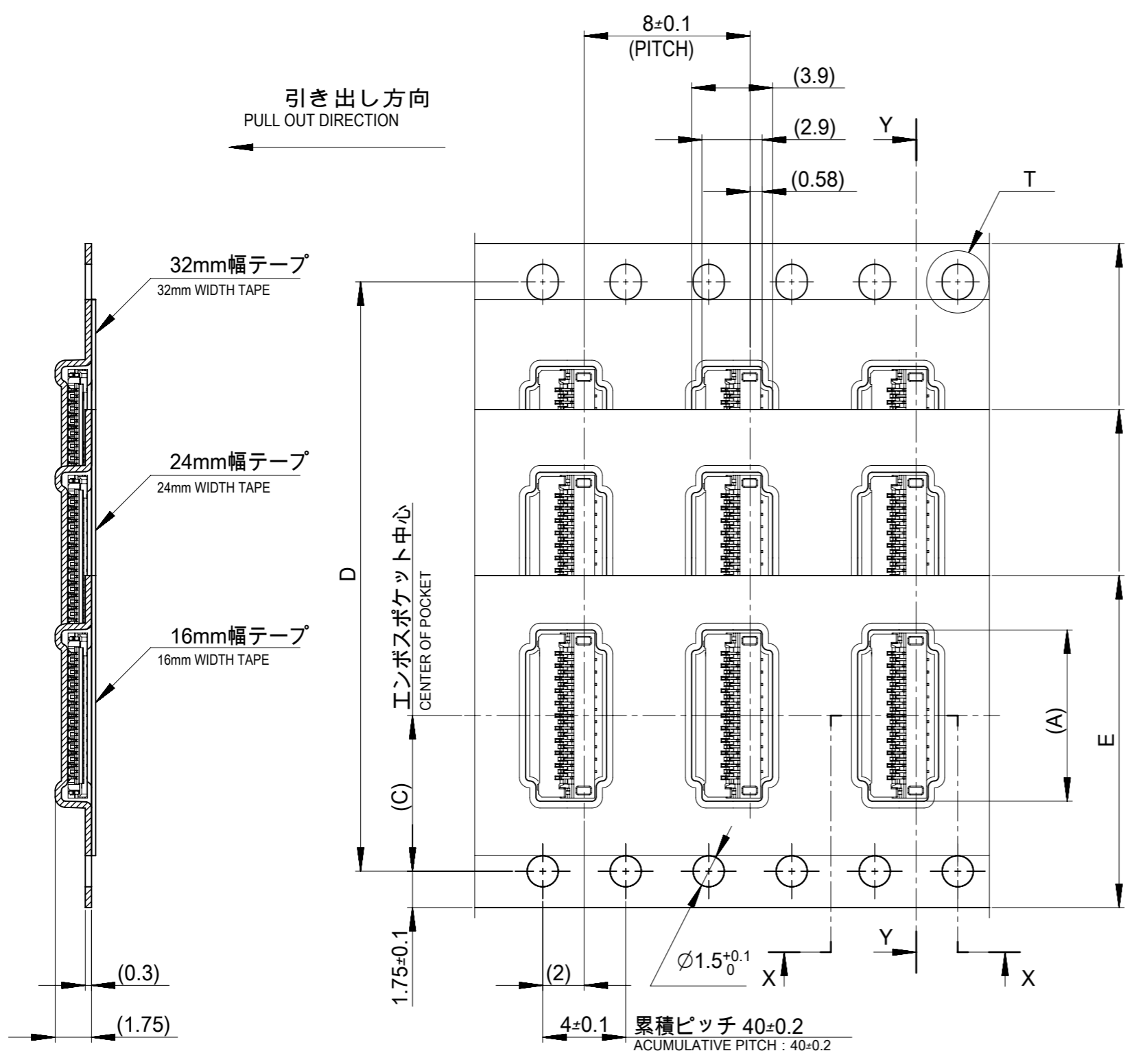
注記 NOTES

- 製品詳細寸法については製品単体図面を参考下さい。
DETAIL DIMENSIONS, SEE PRODUCT DRAWING.
- 梱包数量 : 6000個/リール
NUMBER OF CONNECTORS : 6000 PCS/REEL
- リードテープ長さ LEAD TAPE LENGTH



- 材料 MATERIAL
 キャリアテープ (CARRIER TAPE) : ポリスチレン (POLYSTYRENE)
 トップテープ (TOP TAPE) : PET, PE, PEF
 リール (REEL) : ポリスチレン (PS) <リサイクル材を含む>
 POLYSTYRENE (PS) <RECYCLE MATERIAL CONTAINED>
- トップテープの剥離強度については、IEC60286-3 に準拠
 TOP TAPE PEEL FORCE IS DEFINED BY IEC60286-3.

THIS DRAWING CONTAINS INFORMATION THAT IS PROPRIETARY TO MOLEX ELECTRONIC TECHNOLOGIES, LLC AND SHOULD NOT BE USED WITHOUT WRITTEN PERMISSION											
RELEASED	EC NO. 113200	2016/12/22	GENERAL TOLERANCES (UNLESS SPECIFIED)		DIMENSION UNITS	SCALE					
	DRWN: MNISHIKAWA	2017/02/21	ANGULAR TOL ± °		MM	NTS					
	CHK'D: KTAKAHASHI	2017/02/21	4 PLACES ±	°	DRWN BY	DATE					
	APPR: MSASAO	2017/02/21	3 PLACES ±	°	CHK'D BY	DATE					
			2 PLACES ±	°	APPR BY	DATE					
			1 PLACE ±	°	MSASAO	2017/02/21					
		0 PLACES ±	°	DRAWING SIZE	THIRD ANGLE PROJECTION	0.3 FPC CONN. E/O TAPING PACKAGE (503566-**08 SERIES)					
DRAFT WHERE APPLICABLE MUST REMAIN WITHIN DIMENSIONS		A3			PRODUCT CUSTOMER DRAWING						
REVISION	DATE	SERIES	MATERIAL NUMBER	CUSTOMER	GENERAL						
		503566									
RELEASE STATUS	P1	RELEASE DATE	21.02.2017	05:22:24	DOCUMENT NUMBER						
					5035660001						
					DOC TYPE		DOC PART		SHEET NUMBER		
					PSD		000		1 OF 2		



32±0.3	28.4±0.25	14.2	33.4	17.25	503566-5102	51
24±0.3	//	11.5	25.4	15.45	503566-4502	45
				14.85	503566-4302	43
				14.25	503566-4102	41
				13.65	503566-3902	39
				13.05	503566-3702	37
				12.45	503566-3502	35
				11.85	503566-3302	33
				11.25	503566-3102	31
16±0.3	//	7.5	17.4	10.05	503566-2702	27
				9.45	503566-2502	25
				8.85	503566-2302	23
				8.25	503566-2102	21
				7.65	503566-1902	19
				7.05	503566-1702	17
				6.45	503566-1502	15
				5.85	503566-1302	13
5.25	503566-1102	11				
4.65	503566-0902	9				
E キャリアテープ幅 EMBOSSED TAPE WIDTH	D	C	B	A	EMBOSSED TAPE PACKAGE オーダー番号 ORDER NO.	極数 CIRCUITS

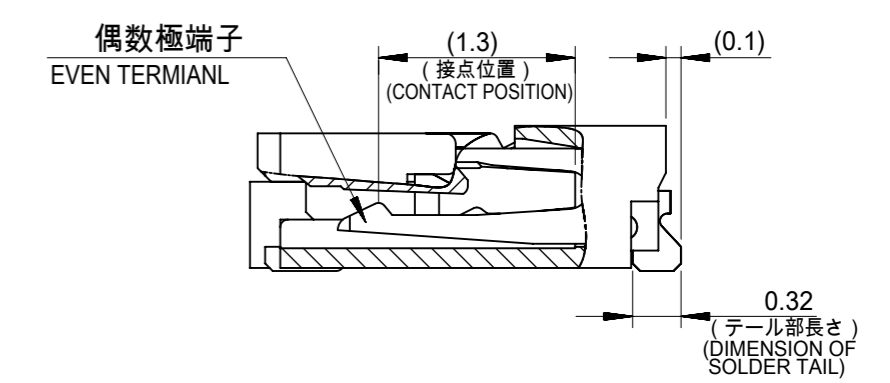
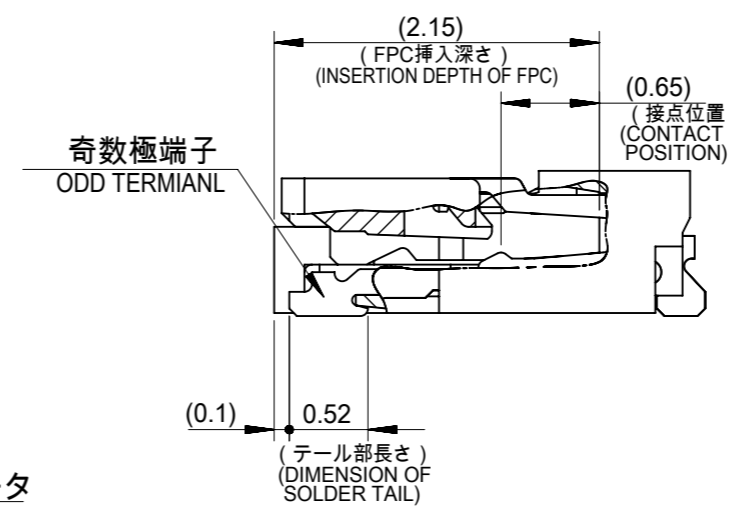
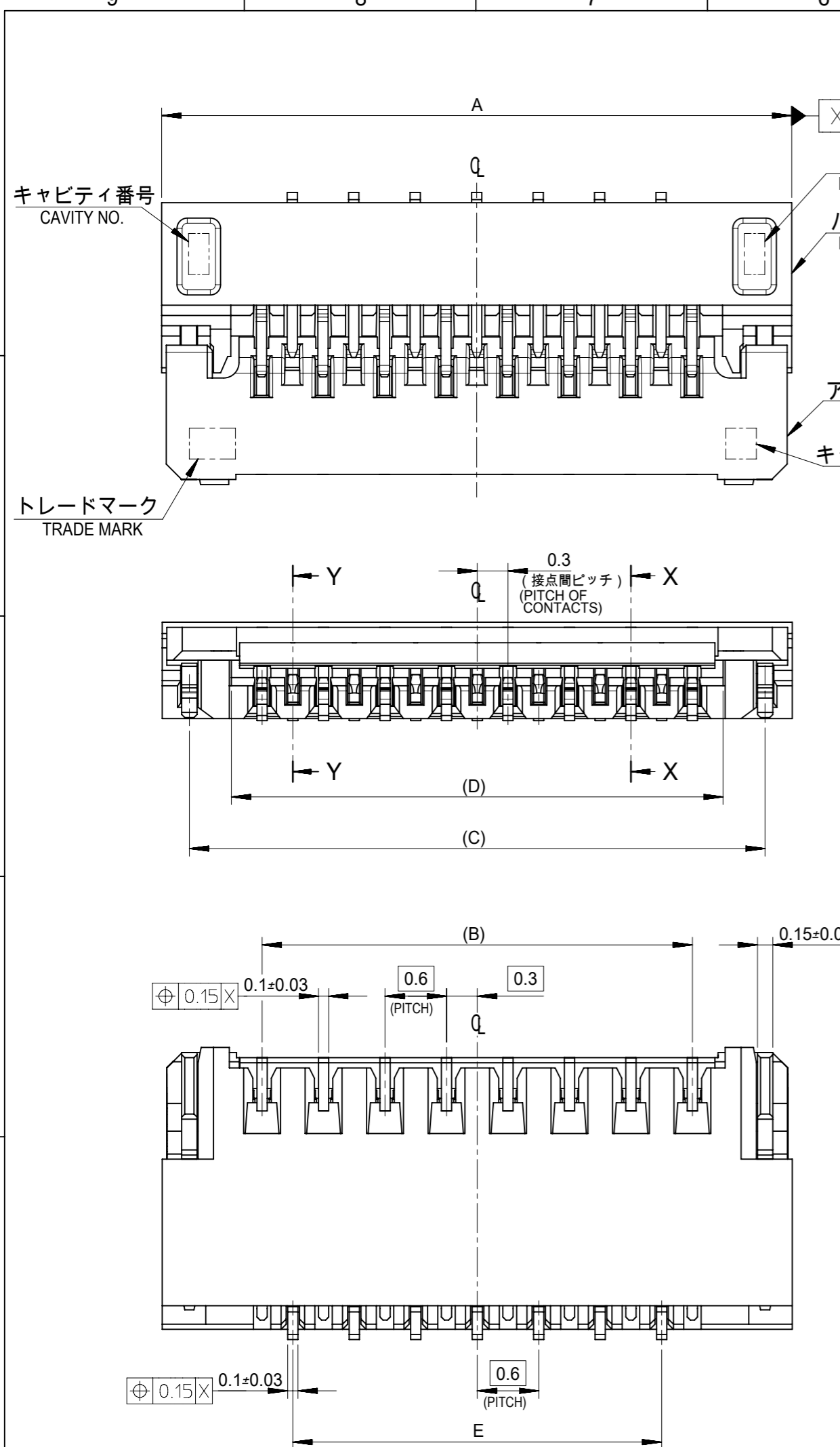
CONNECTOR SERIES NO.:503566-**08

SECTION Y-Y

THIS DRAWING CONTAINS INFORMATION THAT IS PROPRIETARY TO MOLEX ELECTRONIC TECHNOLOGIES, LLC AND SHOULD NOT BE USED WITHOUT WRITTEN PERMISSION

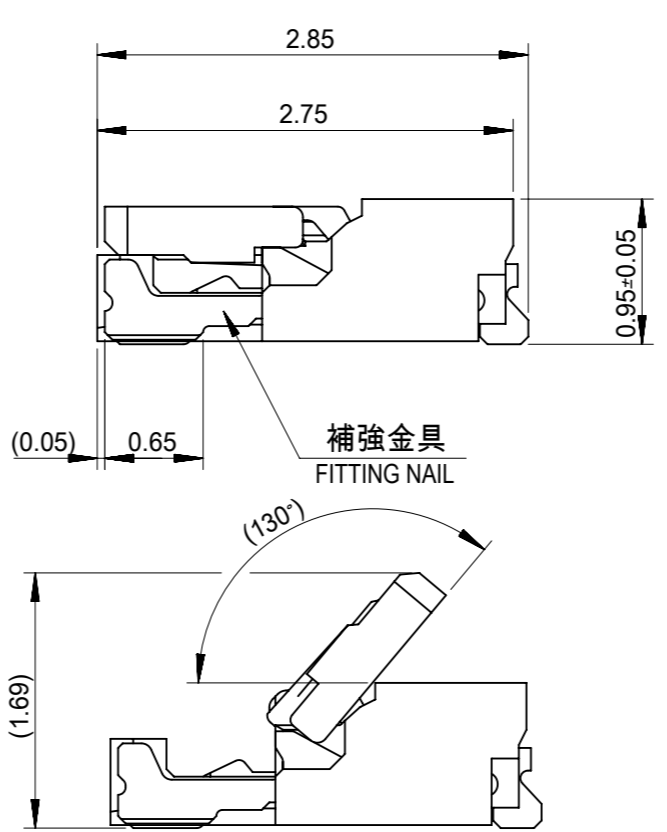
EC NO: 113200 DRWN: MNISHIKAWA CHK'D: KTAKAHASHI APPR: MSASAO	2016/12/22	GENERAL TOLERANCES (UNLESS SPECIFIED)	DIMENSION UNITS	SCALE		
	2017/02/21	ANGULAR TOL ± °	MM	NTS		
	2017/02/21	4 PLACES ±	DRWN BY	DATE		MNISHIKAWA 2016/12/22
		3 PLACES ±	CHK'D BY	DATE		KTAKAHASHI 2017/02/21
		2 PLACES ±	APPR BY	DATE		MSASAO 2017/02/21
		1 PLACE ±	DRAWING SIZE	THIRD ANGLE PROJECTION		A3
	0 PLACES ±	DRAFT WHERE APPLICABLE MUST REMAIN WITHIN DIMENSIONS				

PRODUCT CUSTOMER DRAWING			
SERIES	MATERIAL NUMBER	CUSTOMER	
503566		GENERAL 2	
DOCUMENT NUMBER	DOC TYPE	DOC PART	SHEET NUMBER
5035660001	PSD	000	2 OF 2



SECTION X-X

SECTION Y-Y



14.4	15.6	16.42	15.0	16.95	503566-5102	51
12.6	13.8	14.62	13.2	15.15	503566-4502	45
12.0	13.2	14.02	12.6	14.55	503566-4302	43
11.4	12.6	13.42	12.0	13.95	503566-4102	41
10.8	12.0	12.82	11.4	13.35	503566-3902	39
10.2	11.4	12.22	10.8	12.75	503566-3702	37
9.6	10.8	11.62	10.2	12.15	503566-3502	35
9.0	10.2	11.02	9.6	11.55	503566-3302	33
8.4	9.6	10.42	9.0	10.95	503566-3102	31
7.2	8.4	9.22	7.8	9.75	503566-2702	27
6.6	7.8	8.62	7.2	9.15	503566-2502	25
6.0	7.2	8.02	6.6	8.55	503566-2302	23
5.4	6.6	7.42	6.0	7.95	503566-2102	21
4.8	6.0	6.82	5.4	7.35	503566-1902	19
4.2	5.4	6.22	4.8	6.75	503566-1702	17
3.6	4.8	5.62	4.2	6.15	503566-1502	15
3.0	4.2	5.02	3.6	5.55	503566-1302	13
2.4	3.6	4.42	3.0	4.95	503566-1102	11
1.8	3.0	3.82	2.4	4.35	503566-0902	9
E	D	C	B	A	EMBOSSED PACKAGE	極数
					オーダー番号 ORDER NO.	CIRCUITS

CONNECTOR SERIES NO. 503566-**08

THIS DRAWING CONTAINS INFORMATION THAT IS PROPRIETARY TO MOLEX ELECTRONIC TECHNOLOGIES, LLC AND SHOULD NOT BE USED WITHOUT WRITTEN PERMISSION

EC NO: 113200 DRWN: MNISHIKAWA CHK'D: KTAKAHASHI APPR: MSASAO	2016/12/22	GENERAL TOLERANCES (UNLESS SPECIFIED)	DIMENSION UNITS	SCALE				
	2017/02/21	ANGULAR TOL ± °	MM	NTS				
	2017/02/21	4 PLACES ±	DRWN BY	DATE				
		3 PLACES ±	CHK'D BY	DATE				
		2 PLACES ±	APPR BY	DATE				
	1 PLACE ±	MSASAO	2017/02/21		0.3 FPC CONN E/O BTM CONTACT TYPE HGT=0.95MM			
	0 PLACES ±	DRAWING SIZE	THIRD ANGLE PROJECTION			PRODUCT CUSTOMER DRAWING		
		A3						
		DRAFT WHERE APPLICABLE MUST REMAIN WITHIN DIMENSIONS			SERIES	MATERIAL NUMBER	CUSTOMER	
					503566		GENERAL	
					DOCUMENT NUMBER	DOC TYPE	DOC PART	SHEET NUMBER
					5035661001	PSD	000	1 OF 2

