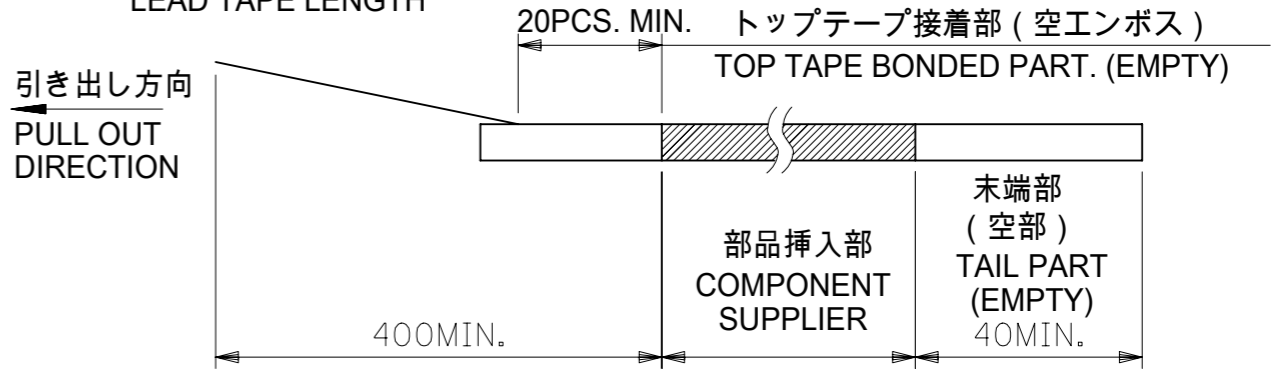


注記 NOTES

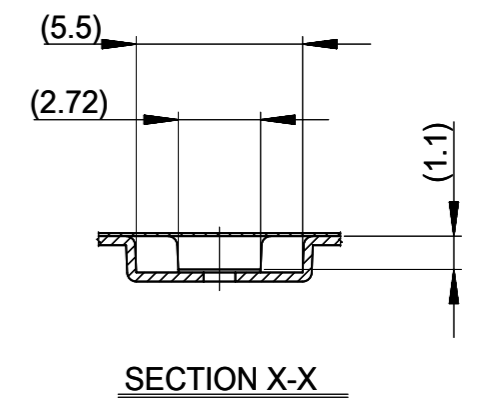
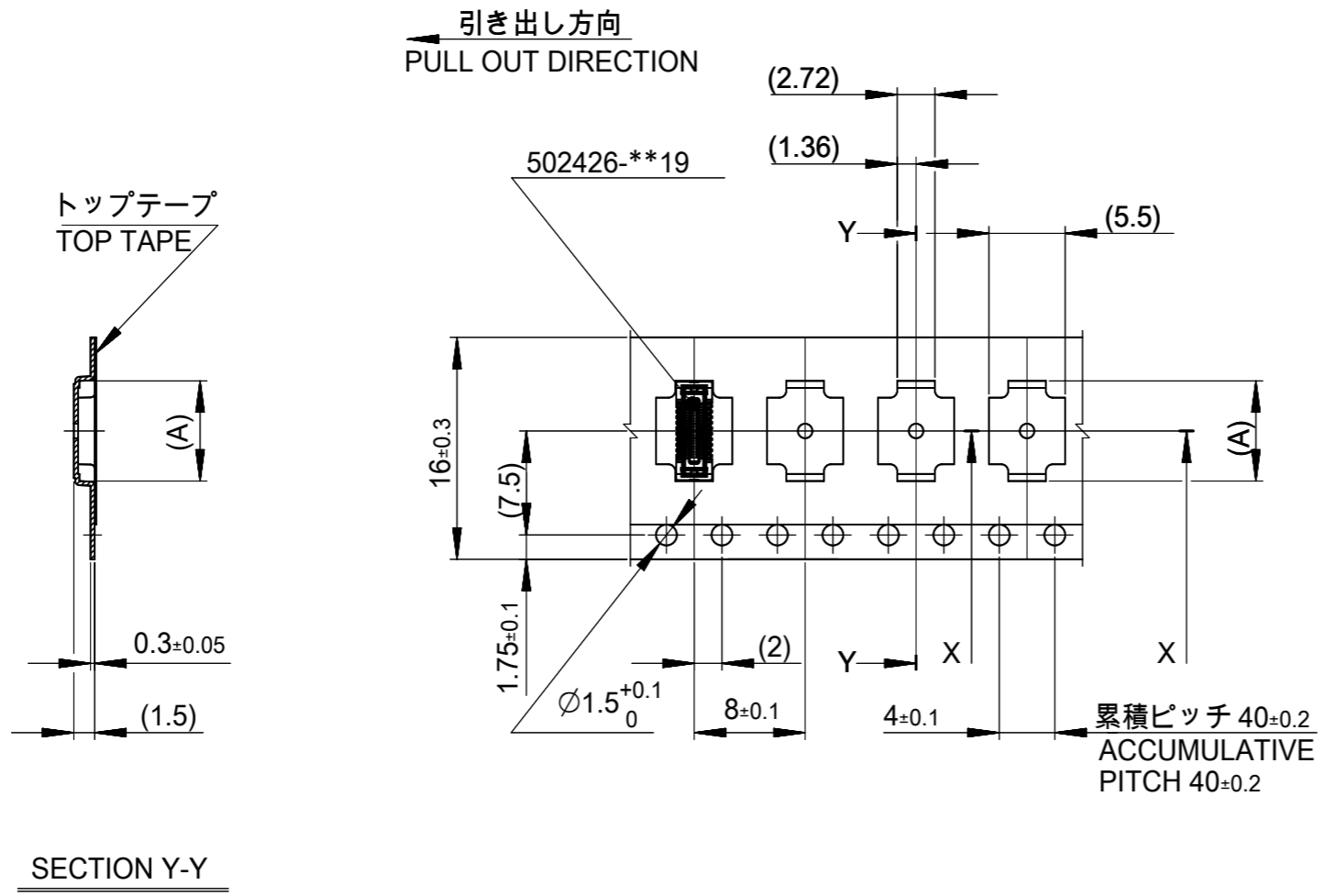
- 製品詳細寸法については製品単体図面を参照下さい。  
DETAIL DIMENSIONS, SEE PRODUCT DRAWING.
- 梱包数量 : 7000個 / リール  
NUMBER OF CONNECTORS : 7000PCS/REEL
- リードテープ長さ  
LEAD TAPE LENGTH



- 材料 MATERIAL  
 キャリアテープ(CARRIER TAPE) : ポリスチレン(POLYSTYRENE)  
 トップテープ(TOP TAPE) : PET,OTHER  
 リール(REEL):ポリスチレン(PS)<リサイクル材を含む>  
 POLYSTYRENE(PS) <RECYCLE MATERIAL CONTAINED >
- 環境負荷物質の管理のため「化学物質ガイドライン(MCSS)」の内容を満足すること。  
MUST MEET THE "MOLEX CHEMICAL SUBSTANCES SPECIFICATION (MCSS)" TO CONTROL ENVIRONMENTAL HAZARDOUS SUBSTANCES.

MODEL NO. 502426-\*\*12

|   |        |                        |            |   |                 |
|---|--------|------------------------|------------|---|-----------------|
| THIS DRAWING CONTAINS INFORMATION THAT IS PROPRIETARY TO MOLEX ELECTRONIC TECHNOLOGIES, LLC AND SHOULD NOT BE USED WITHOUT WRITTEN PERMISSION |        | CURRENT REV DESC:      |            | <b>molex</b>                                    |                 |
| DIMENSION UNITS   | SCALE  |                        |            |   |                 |
| mm  | NTS    |                        |            | 0.4 B TO B CONN. HGT=1.0<br>REC ASSY EMBSTP PKG |                 |
| GENERAL TOLERANCES (UNLESS SPECIFIED)   |        | EC NO: 781651          |            | PRODUCT CUSTOMER DRAWING                        |                 |
| ANGULAR TOL   | ± 3.0° | DRWN: RAJAGN           | 2024/03/28 | DOCUMENT NUMBER                                 |                 |
| 4 PLACES  | ± 0.03 | CHK'D: HSHIMOYAMA      | 2024/04/01 | 5024260000                                      |                 |
| 3 PLACES  | ± 0.03 | APPR: YNAITO           | 2024/04/02 | DOC TYPE  | DOC PART        |
| 2 PLACES  | ± 0.05 | INITIAL REVISION:      |            | PSD   | 000             |
| 1 PLACE   | ± 0.1  | DRWN: YSHIBATA         | 2016/12/13 | REVISION  |                 |
| 0 PLACES  | ± 0.2  | APPR: MSASAO           | 2017/01/19 | D   |                 |
| DRAFT WHERE APPLICABLE MUST REMAIN WITHIN DIMENSIONS  |        | THIRD ANGLE PROJECTION | DRAWING    | SERIES  | MATERIAL NUMBER |
|   |        |                        | A3-SIZE    | 502426  | SEE SHEET 2-4   |
|   |        |                        |            | CUSTOMER  | SHEET NUMBER    |
|   |        |                        |            | GENERAL   | 1 OF 4          |

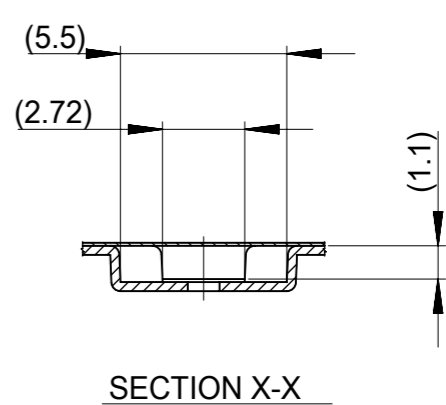
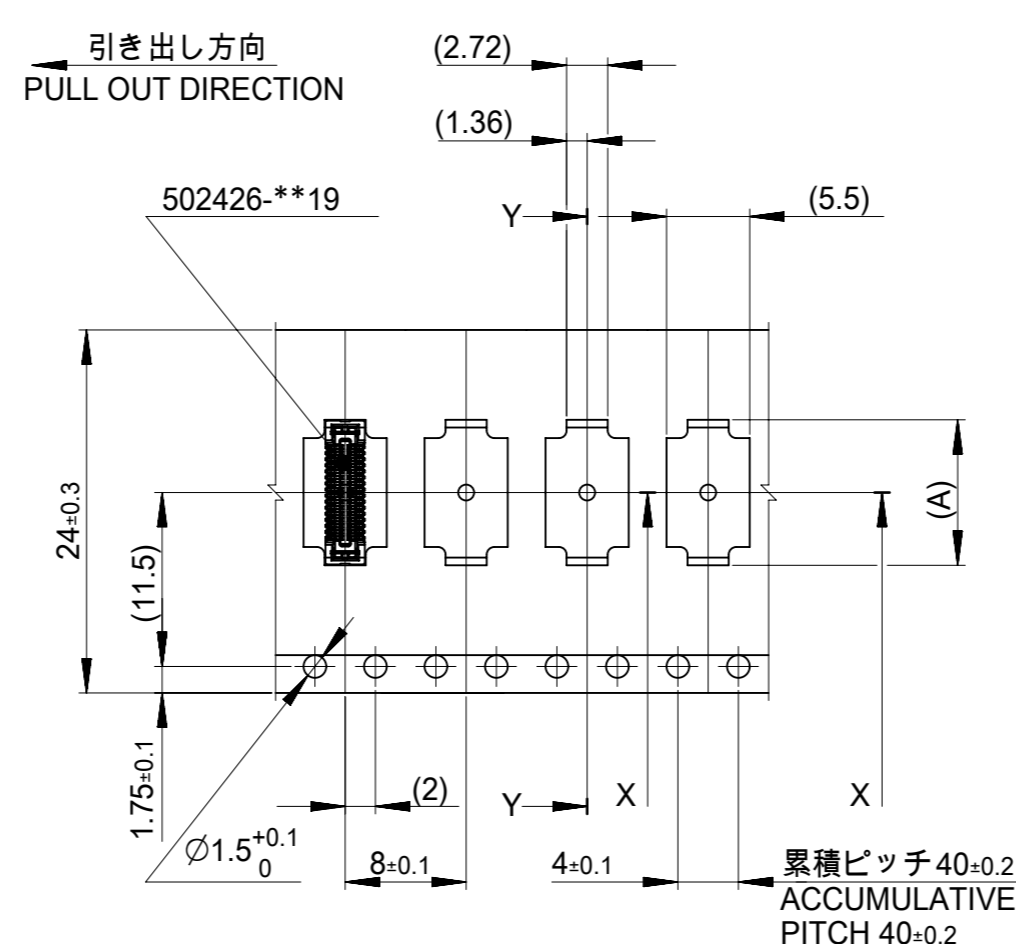
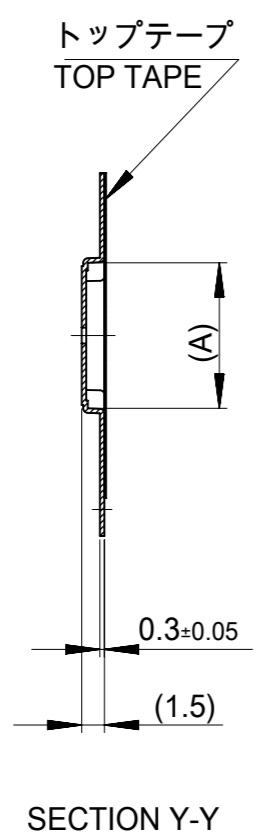


16mm 幅キャリアテープ  
16mm WIDTH CARRIER TAPE

|                                |      |      |              |             |              |
|--------------------------------|------|------|--------------|-------------|--------------|
| 16                             | 21.4 | 17.4 | 8.42         | 502426-2612 | 26           |
|                                |      |      | 8.02         | 502426-2412 | 24           |
|                                |      |      | 7.62         | 502426-2212 | 22           |
|                                |      |      | 7.22         | 502426-2012 | 20           |
|                                |      |      | 6.02         | 502426-1412 | 14           |
|                                |      |      | 4.82         | 502426-0812 | 8            |
| キャリアテープ幅<br>CARRIER TAPE WIDTH |      |      | C            | B           | (A)          |
|                                |      |      | MATERIAL No. |             | CKT.         |
|                                |      |      | MODEL No.    |             | 502426-**-12 |

THIS DRAWING CONTAINS INFORMATION THAT IS PROPRIETARY TO MOLEX ELECTRONIC TECHNOLOGIES, LLC AND SHOULD NOT BE USED WITHOUT WRITTEN PERMISSION

|  |              |                        |                    |                  |                              |                     |   |
|--|--------------|------------------------|--------------------|------------------|------------------------------|---------------------|---|
| DIMENSION UNITS<br>mm                                      | SCALE<br>NTS | CURRENT REV DESC:      |                    | <b>molex</b>     |                              |                     |   |
| GENERAL TOLERANCES (UNLESS SPECIFIED)                      |              | EC NO: 781651          |                    |                  |                              |                     | 0.4 B TO B CONN. HGT=1.0<br>REC ASSY EMBSTP PKG |
| ANGULAR TOL  | ± 3.0°       | DRWN: RAJAGN           |                    | 2024/03/28       |                              |                     |   |
| 4 PLACES   | ± 0.03       | CHK'D: HSHIMUYAMA      |                    | 2024/04/01       |                              |                     |   |
| 3 PLACES   | ± 0.03       | APPR: YNAITO           |                    | 2024/04/02       |                              |                     |   |
| 2 PLACES   | ± 0.05       | INITIAL REVISION:      |                    | DOCUMENT NUMBER  |                              |                     |   |
| 1 PLACE  | ± 0.1        | DRWN: YSHIBATA         |                    | 5024260000       |                              |                     |   |
| 0 PLACES   | ± 0.2        | APPR: MSASAO           |                    | PSD 000 D        |                              |                     |   |
| DRAFT WHERE APPLICABLE<br>MUST REMAIN<br>WITHIN DIMENSIONS |              | THIRD ANGLE PROJECTION | DRAWING<br>A3-SIZE | SERIES<br>502426 | MATERIAL NUMBER<br>SEE TABLE | CUSTOMER<br>GENERAL | SHEET NUMBER<br>2 OF 4                          |

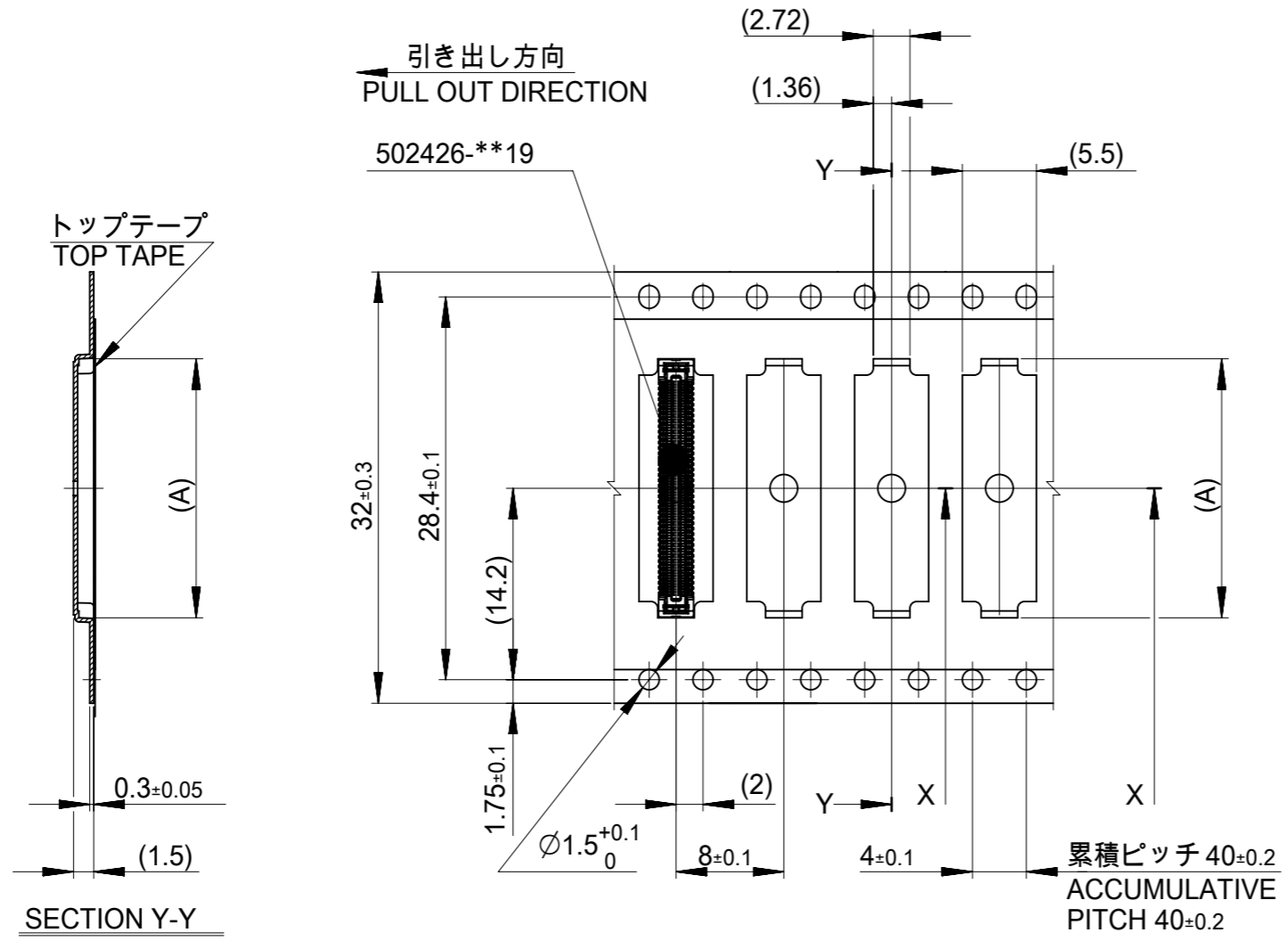


24mm 幅キャリアテープ  
24mm WIDTH CARRIER TAPE

|                                |      |      |       |             |     |              |              |
|--------------------------------|------|------|-------|-------------|-----|--------------|--------------|
| 24                             | 29.4 | 25.4 | 16.02 | 502426-6412 | 64  |              |              |
|                                |      |      | 15.22 | 502426-6012 | 60  |              |              |
|                                |      |      | 13.22 | 502426-5012 | 50  |              |              |
|                                |      |      | 12.02 | 502426-4412 | 44  |              |              |
|                                |      |      | 11.22 | 502426-4012 | 40  |              |              |
|                                |      |      | 10.02 | 502426-3412 | 34  |              |              |
|                                |      |      | 9.62  | 502426-3212 | 32  |              |              |
|                                |      |      | 9.22  | 502426-3012 | 30  |              |              |
| キャリアテープ幅<br>CARRIER TAPE WIDTH |      |      | C     | B           | (A) | MATERIAL No. | CKT.         |
|                                |      |      |       |             |     | MODEL No.    | 502426-**-12 |

THIS DRAWING CONTAINS INFORMATION THAT IS PROPRIETARY TO MOLEX ELECTRONIC TECHNOLOGIES, LLC AND SHOULD NOT BE USED WITHOUT WRITTEN PERMISSION

|  |        |                              |         |   |                 |          |              |
|--|--------|------------------------------|---------|---|-----------------|----------|--------------|
| DIMENSION UNITS                                      | SCALE  | CURRENT REV DESC:            |         | <b>molex</b>                                    |                 |          |              |
| mm   | NTS    |                              |         |   |                 |          |              |
| GENERAL TOLERANCES (UNLESS SPECIFIED)                |        | EC NO: 781651                |         | 0.4 B TO B CONN. HGT=1.0<br>REC ASSY EMBSTP PKG |                 |          |              |
| ANGULAR TOL  | ± 3.0° | DRWN: RAJAGN 2024/03/28      |         |   |                 |          |              |
| 4 PLACES   | ± 0.03 | CHK'D: HSHIMOYAMA 2024/04/01 |         | PRODUCT CUSTOMER DRAWING                        |                 |          |              |
| 3 PLACES   | ± 0.03 | APPR: YNAITO 2024/04/02      |         |   |                 |          |              |
| 2 PLACES   | ± 0.05 | INITIAL REVISION:            |         | DOCUMENT NUMBER                                 | DOC TYPE        | DOC PART | REVISION     |
| 1 PLACE  | ± 0.1  | DRWN: YSHIBATA 2016/12/13    |         | 5024260000                                      | PSD             | 000      | D            |
| 0 PLACES   | ± 0.2  | APPR: MSASAO 2017/01/19      |         |   |                 |          |              |
| DRAFT WHERE APPLICABLE MUST REMAIN WITHIN DIMENSIONS |        | THIRD ANGLE PROJECTION       | DRAWING | SERIES  | MATERIAL NUMBER | CUSTOMER | SHEET NUMBER |
|  |        |                              | A3-SIZE | 502426  | SEE TABLE       | GENERAL  | 3 OF 4       |

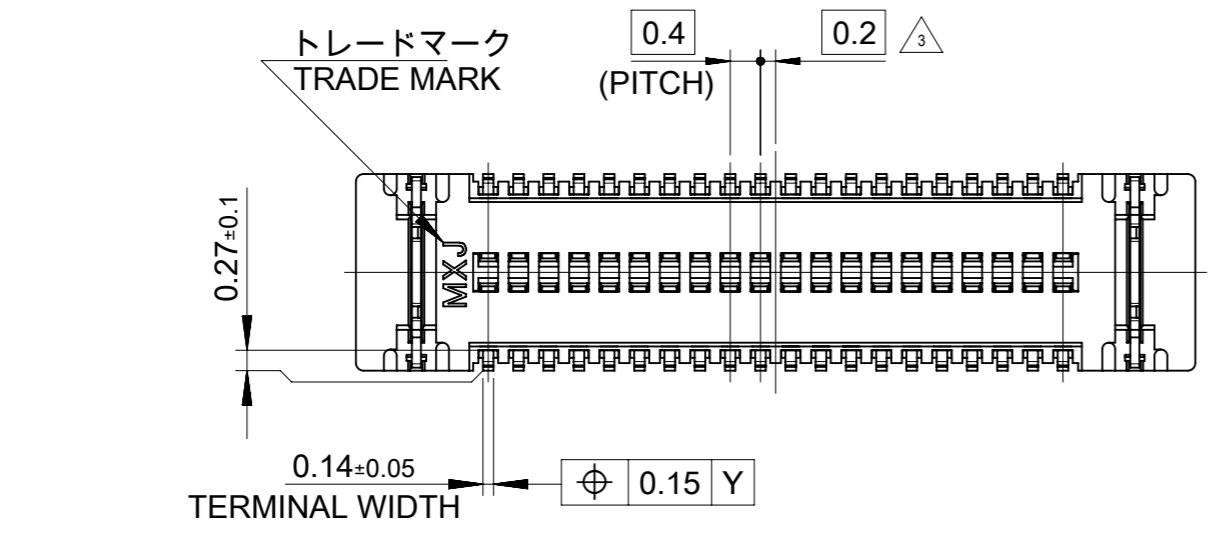
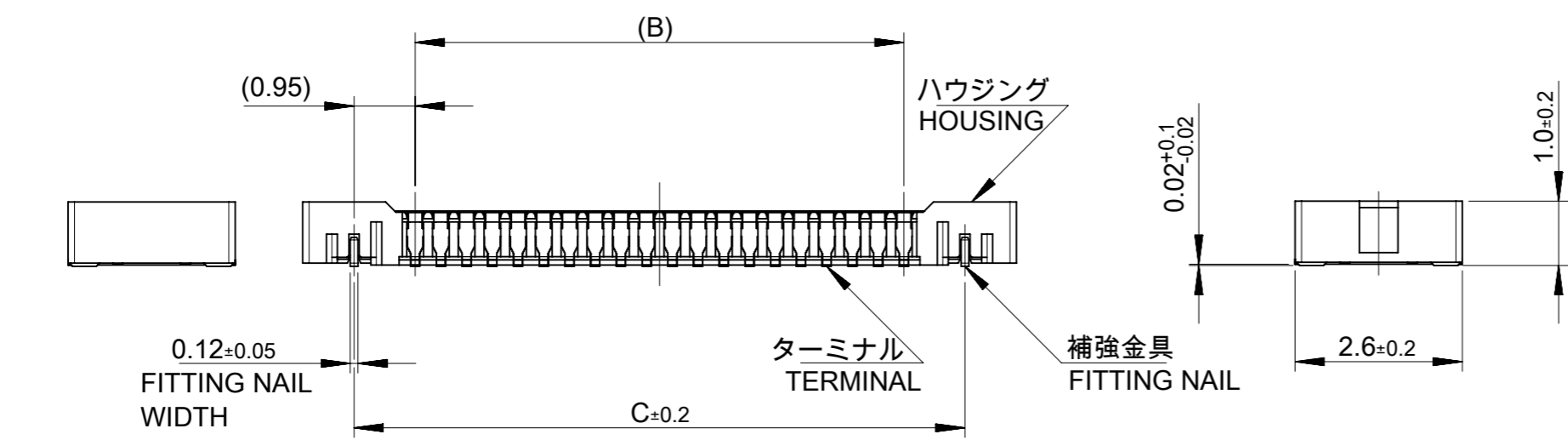
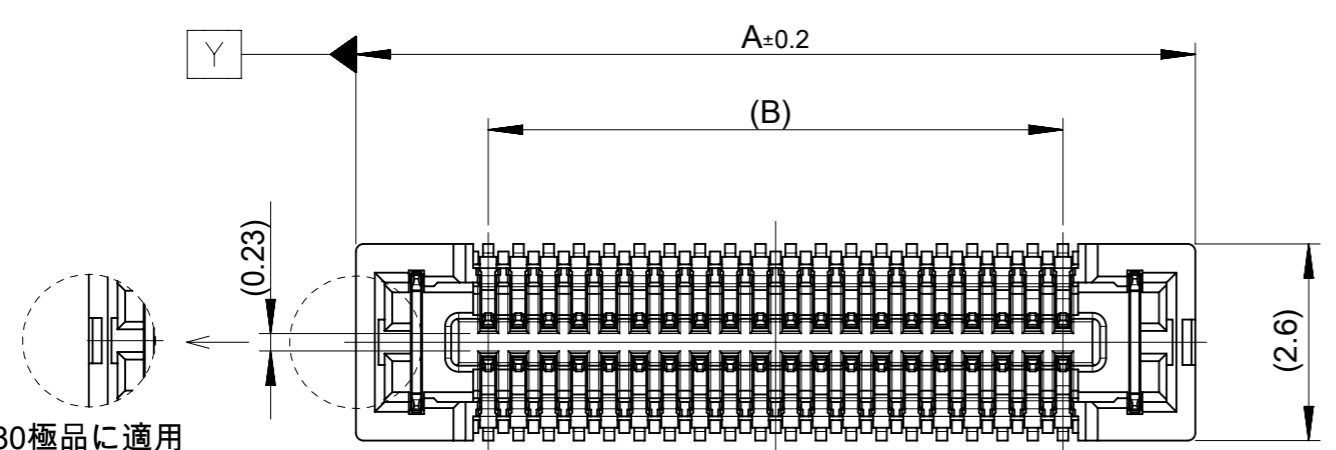


32mm 幅キャリアテープ  
32mm WIDTH CARRIER TAPE

|                                |      |      |       |             |                       |
|--------------------------------|------|------|-------|-------------|-----------------------|
| 32                             | 37.4 | 33.4 | 21.22 | 502426-9012 | 90                    |
|                                |      |      | 19.22 | 502426-8012 | 80                    |
|                                |      |      | 17.22 | 502426-7012 | 70                    |
| キャリアテープ幅<br>CARRIER TAPE WIDTH |      | C    | B     | (A)         | MATERIAL No. CKT.     |
|                                |      |      |       |             | MODEL No. 502426-**12 |

THIS DRAWING CONTAINS INFORMATION THAT IS PROPRIETARY TO MOLEX ELECTRONIC TECHNOLOGIES, LLC AND SHOULD NOT BE USED WITHOUT WRITTEN PERMISSION

|  |              |                        |         |                 |                 |          |
|--|--------------|------------------------|---------|-----------------|-----------------|----------|
| DIMENSION UNITS<br>mm                                | SCALE<br>NTS | CURRENT REV DESC:      |         | <b>molex</b>    |                 |          |
| GENERAL TOLERANCES (UNLESS SPECIFIED)                |              | EC NO: 781651          |         |                 |                 |          |
| ANGULAR TOL  | ± 3.0°       | DRWN: RAJAGN           |         | 2024/03/28      |                 |          |
| 4 PLACES   | ± 0.03       | CHK'D: HSHIMOYAMA      |         | 2024/04/01      |                 |          |
| 3 PLACES   | ± 0.03       | APPR: YNAITO           |         | 2024/04/02      |                 |          |
| 2 PLACES   | ± 0.05       | INITIAL REVISION:      |         | DOCUMENT NUMBER |                 |          |
| 1 PLACE  | ± 0.1        | DRWN: YSHIBATA         |         | 5024260000      |                 | DOC TYPE |
| 0 PLACES   | ± 0.2        | APPR: MSASAO           |         | PSD             |                 | DOC PART |
| DRAFT WHERE APPLICABLE MUST REMAIN WITHIN DIMENSIONS |              | THIRD ANGLE PROJECTION | DRAWING | SERIES          | MATERIAL NUMBER | CUSTOMER |
|  |              |                        | A3-SIZE | 502426          | SEE TABLE       | GENERAL  |
|  |              |                        |         |                 |                 | REVISION |
|  |              |                        |         |                 |                 | D        |
|  |              |                        |         |                 |                 | 4 OF 4   |



|      |      |      |                  |          |
|------|------|------|------------------|----------|
| 19.5 | 17.6 | 21.1 | 502426-9012      | 90       |
| 17.5 | 15.6 | 19.1 | 502426-8012      | 80       |
| 15.5 | 13.6 | 17.1 | 502426-7012      | 70       |
| 14.3 | 12.4 | 15.9 | 502426-6412      | 64       |
| 13.5 | 11.6 | 15.1 | 502426-6012      | 60       |
| 11.5 | 9.6  | 13.1 | 502426-5012      | 50       |
| 10.3 | 8.4  | 11.9 | 502426-4412      | 44       |
| 9.5  | 7.6  | 11.1 | 502426-4012      | 40       |
| 8.3  | 6.4  | 9.9  | 502426-3412      | 34       |
| 7.9  | 6.0  | 9.5  | 502426-3212      | 32       |
| 7.5  | 5.6  | 9.1  | 502426-3012      | 30       |
| 6.7  | 4.8  | 8.3  | 502426-2612      | 26       |
| 6.3  | 4.4  | 7.9  | 502426-2412      | 24       |
| 5.9  | 4.0  | 7.5  | 502426-2212      | 22       |
| 5.5  | 3.6  | 7.1  | 502426-2012      | 20       |
| 4.3  | 2.4  | 5.9  | 502426-1412      | 14       |
| 3.1  | 1.2  | 4.7  | 502426-0812      | 8        |
| C    | B    | A    | EMBOSSED PACKAGE | 極数       |
|      |      |      | オーダー番号 ORDER No. | CIRCUITS |

|  |   |                        |  |  |
|--|---|------------------------|--|--|
| FUNCTIONAL SYMBOLS<br>FA = 0<br>FE = 0<br>FP = 0 | THIS DRAWING CONTAINS INFORMATION THAT IS PROPRIETARY TO MOLEX ELECTRONIC TECHNOLOGIES, LLC AND SHOULD NOT BE USED WITHOUT WRITTEN PERMISSION | SCALE<br>10:1          | CURRENT REV DESC:  |  |
|  | GENERAL TOLERANCES (UNLESS SPECIFIED)   | mm                     | EC NO: 781651<br>DRWN: RAJAGN<br>CHK'D: HSHIMUYAMA<br>APPR: YNAITO |  |
| DIVISIONAL SYMBOLS                               | ANGULAR TOL ± 3.0°  | 4 PLACES ± 0.03        | 2024/03/28   | molex                                      |
|  | 3 PLACES ± 0.03   | 2 PLACES ± 0.05        | 2024/04/01   |  |
|  | 1 PLACE ± 0.1   | 0 PLACES ± 0.2         | 2024/04/02   | 0.4 B TO B CONN. HGT=1.0<br>W=2.6 REC ASSY |
|  | DRAFT WHERE APPLICABLE MUST REMAIN WITHIN DIMENSIONS  | THIRD ANGLE PROJECTION | INITIAL REVISION:<br>DRWN: YSHIBATA<br>APPR: MSASAO                | PRODUCT CUSTOMER DRAWING                   |
|  |   | DRAWING<br>A3-SIZE     | SERIES<br>502426   | DOCUMENT NUMBER<br>5024261000              |
|  |   |                        | MATERIAL NUMBER<br>SEE TABLE                                       | DOC TYPE<br>PSD                            |
|  |   |                        | CUSTOMER<br>GENERAL  | DOC PART<br>000                            |
|  |   |                        |  | REVISION<br>D                              |
|  |   |                        |  | SHEET NUMBER<br>1 OF 2                     |

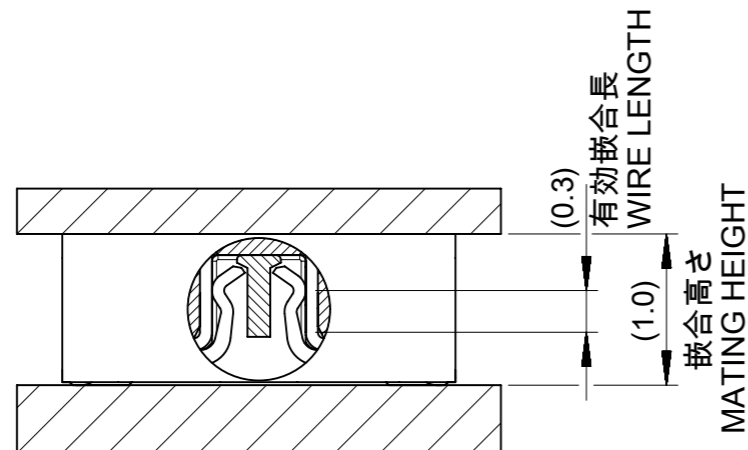
注記 NOTE

1. 使用材料 MATERIAL  
 ハウジング：液晶ポリマー ( LCP ) ガラス充填 UL94V-0 ( 黒 )  
 HOUSING: LIQUID CRYSTAL POLYMER ( GLASS FILLED ) UL94V-0 ( COLOR: BLACK )  
 ターミナル：りん青銅 ( t=0.1 )  
 TERMINAL : PHOSPHOR BRONZE ( t=0.1 )  
 金具：りん青銅 ( t=0.12 )  
 FITTING NAIL : PHOSPHOR BRONZE ( t=0.12 )

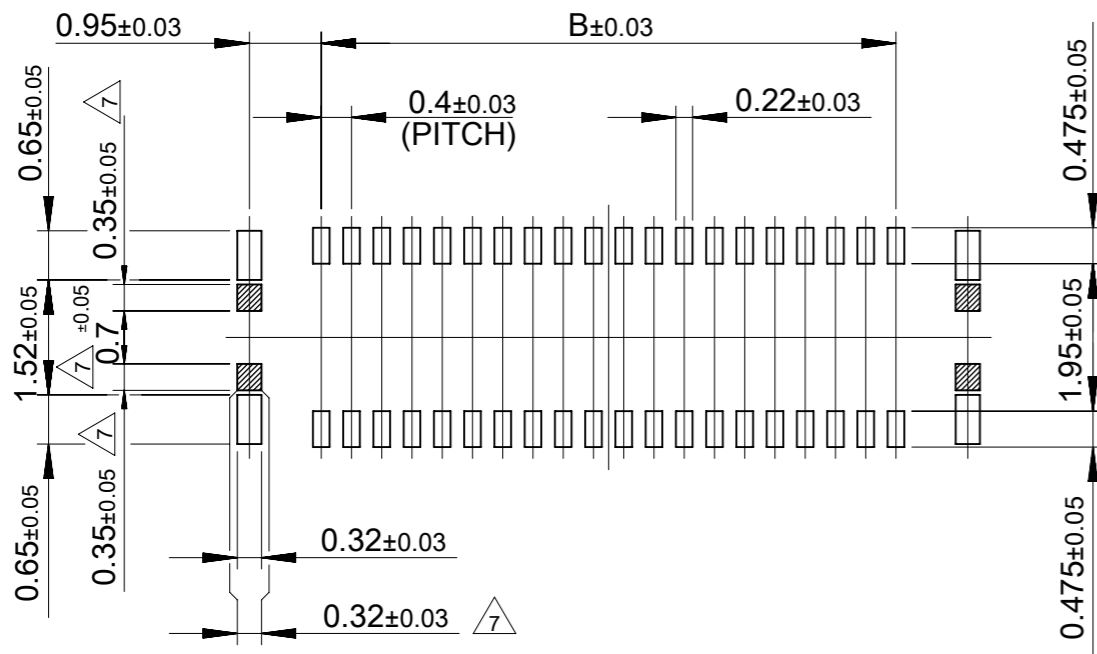
2. メッキ仕様 PLATING  
 ターミナル TERMINAL  
 コンタクト部：金メッキ0.1マイクロメートル以上  
 CONTACT AREA : GOLD 0.1 MICROMETER MINIMUM.  
 テール部：金メッキ0.05マイクロメートル以上  
 TAIL AREA : GOLD 0.05 MICROMETER MINIMUM.  
 下地メッキ：ニッケルメッキ 1.0マイクロメートル以上  
 UNDER PLATING : NICKEL 1.0 MICROMETER MINIMUM  
 ※コンタクト部とテール部はニッケルメッキによって分断されている金メッキです。  
 DIVIDE INTO PARTS THE GOLD PLATING OF THE CONTACT AND THE TAIL PART BY THE NICKEL PLATING.

- 金具 FITTING NAIL  
 フラッシュ金メッキ  
 FLASH Au PLATING  
 下地メッキ：ニッケルメッキ 1.0マイクロメートル以上  
 UNDER PLATING : NICKEL 1.0 MICROMETER MINIMUM

- △3 (全極数 / 2) = 偶数の場合に適用。  
 APPLY FOR (CIRCUIT/2)=EVEN.
4. 嵌合相手：502430シリーズ  
 MATE WITH : 502430 SERIES.
5. テール平坦度は、0.08以下  
 TAIL COPLANARITY TO BE 0.08 MAXIMUM.  
 テール及び金具の平坦度は、0.1以下  
 TAIL AND FITTING NAIL COPLANARITY TO BE 0.1 MAXIMUM.
6. 環境負荷物質の管理のため「化学物質ガイドライン(MCSS)」の内容を満足すること。  
 MUST MEET THE "MOLEX CHEMICAL SUBSTANCES SPECIFICATION(MCSS)" TO CONTROL ENVIRONMENTALLY HAZARDOUS SUBSTANCES.
- △7 斜線部はパターン書込み禁止範囲と半田禁止範囲を示す。  
 ただし、斜線部に補強金具と同一配線を配置する場合はレジストを施し、この部分に半田は無きこと。  
 NO PATTERN CIRCUIT AND NO SOLDER ALLOWED IN THE SHADED AREA.  
 HOWEVER, IF NEEDED TO ADD A TRACE OF THE SAME CIRCUIT, PUT THE SOLDER-RESIST, YET NO SOLDER ALLOWED IN THE AREA.



嵌合断面図 ( 参考 )  
 MATED DRAWING ( REFERENCE )



P.C. BOARD PATTERN LAYOUT  
 ( REFERENCE )

|  |   |                        |                   |              |                            |          |     |
|--|---|------------------------|-------------------|--------------|----------------------------|----------|-----|
| FUNCTIONAL SYMBOLS                                   | THIS DRAWING CONTAINS INFORMATION THAT IS PROPRIETARY TO MOLEX ELECTRONIC TECHNOLOGIES, LLC AND SHOULD NOT BE USED WITHOUT WRITTEN PERMISSION | CURRENT REV DESC:      |                   | <b>molex</b> |                            |          |     |
|  | GENERAL TOLERANCES (UNLESS SPECIFIED)   | EC NO: 781651          | 2024/03/28        |              |                            |          |     |
| △A = 0   | mm  | 10:1                   | DRWN: RAJAGN      | 2024/04/01   | PRODUCT CUSTOMER DRAWING   |          |     |
| △E = 0   | ANGULAR TOL ± 3.0°  |                        | CHK'D: HSHIMOYAMA | 2024/04/02   | DOCUMENT NUMBER            |          |     |
| △P = 0   | 4 PLACES ± 0.03   | APPR: YNAITO           | INITIAL REVISION: | 2016/12/13   | 5024261000                 | PSD      | 000 |
| DIVISIONAL SYMBOLS                                   | 3 PLACES ± 0.03   | DRWN: YSHIBATA         | APPR: MSASAO      | 2017/01/19   | DOC TYPE DOC PART REVISION |          |     |
|  | 2 PLACES ± 0.05   |                        |                   |              | D                          |          |     |
|  | 1 PLACE ± 0.1   |                        |                   |              | SHEET NUMBER               |          |     |
|  | 0 PLACES ± 0.2  |                        |                   |              | 2 OF 2                     |          |     |
| DRAFT WHERE APPLICABLE MUST REMAIN WITHIN DIMENSIONS |   | THIRD ANGLE PROJECTION | DRAWING           | SERIES       | MATERIAL NUMBER            | CUSTOMER |     |
|  |   |                        | A3-SIZE           | 502426       | SEE SHEET 1                | GENERAL  |     |