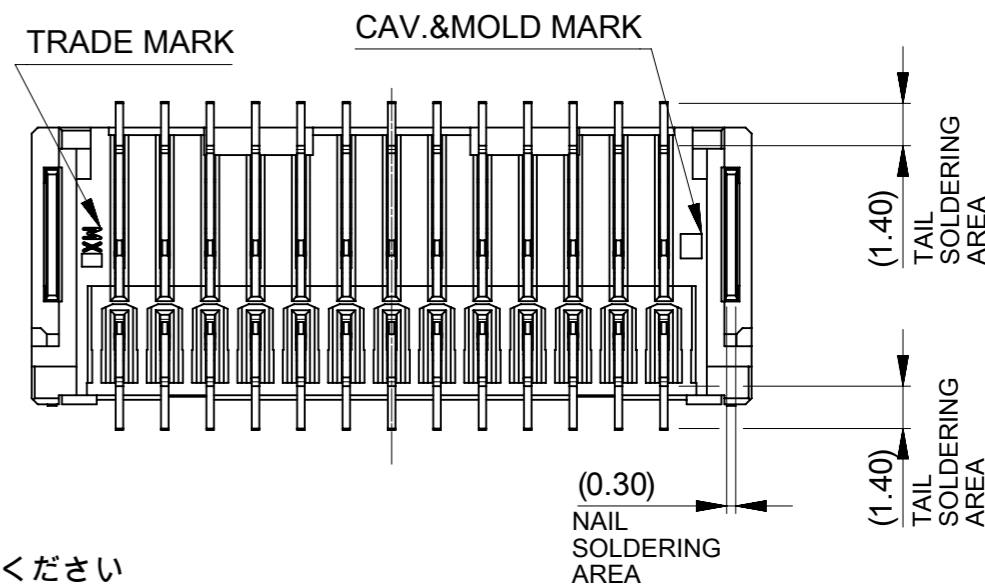
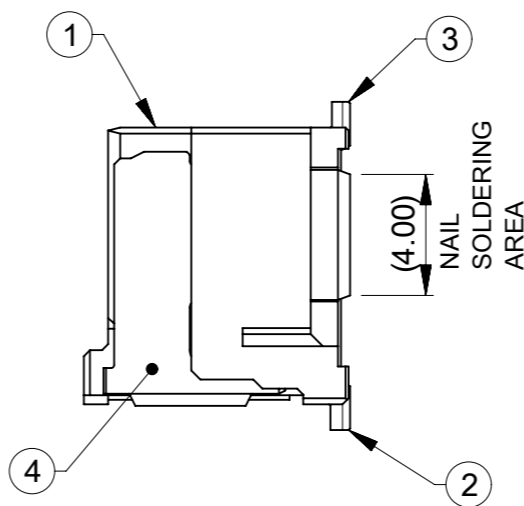
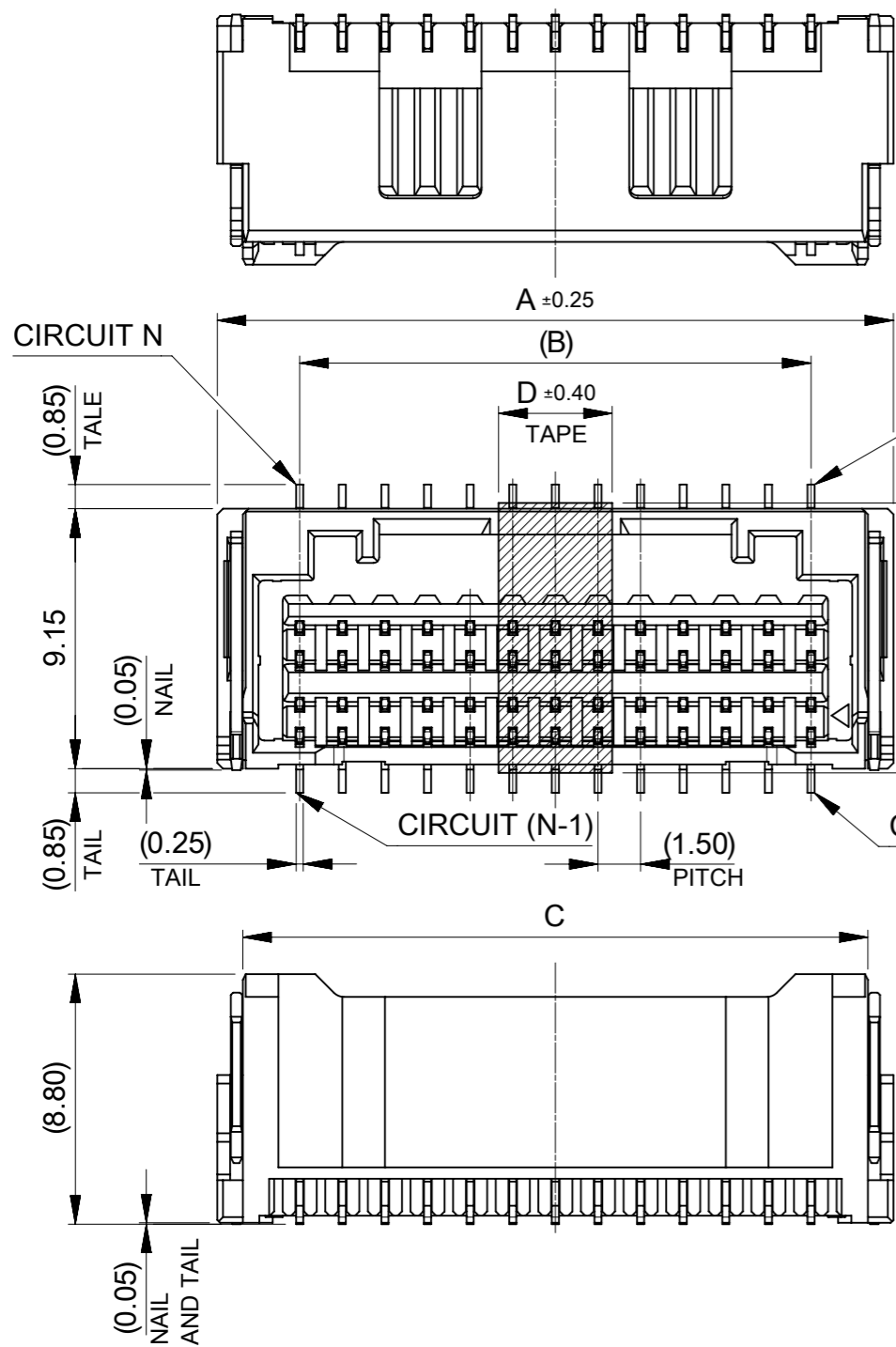
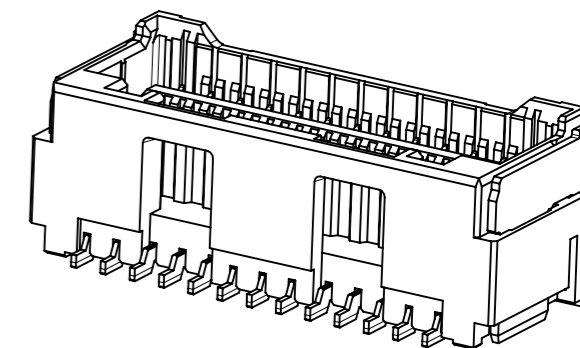


NOTE

- 1. 端子テール部およびネイルの平坦度: 0.1mm MAX
TAIL AND NAIL COPLANARITY TO BE 0.1mm MAX
- 2. (極数/2) = 偶数 に適用
APPLY FOR (CIRCUIT SIZE/2) = EVEN.
- 3. 関連製品・書類はSHEET5を参照ください
REFER TO SHEET 5 ABOUT RELATED PRODUCTS AND DOCUMENTS.



4. オーダー番号(製品番号): SHEET 6の製品一覧を参照ください
ORDER No. (PRODUCT No.) : REFER TO SHEET 6 FOR PRODUCT LIST.

213227 * * * *
↑ ↑ ↑ ↑
シリーズ番号 極数 色
SERIES NO CIRCUIT SIZE GOLD PLATING THICKNESS COLOR

| CIRCUIT | No. | GOLD THK [micro-meter] | No. | COLOR |
|---------|-----|------------------------|-----|---------------|
| 08 ~ 34 | 1 | 0.1 | 0 | ナチュラル NATURAL |
| | 3 | 0.38 | 1 | 黒 BLACK |
| | 7 | 0.76 | | |

| 5 | 28.0 | ±0.25 | 24.0 | 29.8 | 34 |
|---|------|-------|------|------|--------------|
| | 26.5 | | 22.5 | 28.3 | 32 |
| 4 | 25.0 | ±0.25 | 21.0 | 26.8 | 30 |
| | 23.5 | | 19.5 | 25.3 | 28 |
| | 22.0 | | 18.0 | 23.8 | 26 |
| | 20.5 | | 16.5 | 22.3 | 24 |
| | 19.0 | | 15.0 | 20.8 | 22 |
| | 17.5 | | 13.5 | 19.3 | 20 |
| | 16.0 | | 12.0 | 17.8 | 18 |
| 3 | 14.5 | ±0.2 | 10.5 | 16.3 | 16 |
| | 13.0 | | 9.0 | 14.8 | 14 |
| | 11.5 | | 7.5 | 13.3 | 12 |
| D | 10.0 | ±0.2 | 6.0 | 11.8 | 10 |
| | 8.5 | | 4.5 | 10.3 | 8 |
| | | | B | A | 極数 CKT NO |

| 番号 NO | 部品 PART | 材質 MATERIAL | |
|--------|----------------|--|--|
| ① | ハウジング HOUSING | ポリアミド(PA) UL94V-0 色: SEE CHART POLYAMIDE(PA) UL94V-0 COLOR: SEE CHART | |
| ② ③ | ターミナル TERMINAL | 銅合金 COPPER ALLOY | |
| | | コンタクト部 CONTACT AREA | 金めっき: 製品一覧参照 GOLD PLATING: SEE PRODUCT LIST |
| | | テール部 TAIL AREA | 無光沢錫めっき: 1.0 micro-meter MIN MATTE TIN PLATING: 1.0 micro-meter MIN |
| ④ | ネイル NAIL | 下地めっき(全面) UNDER PLATING (WHOLE SURFACE) | ニッケルめっき: 1.0 micro-meter MIN NICKEL PLATING: 1.0 micro-meter MIN |
| | | 黄銅 BRASS | |
| | | 無光沢錫めっき: 1.0 micro-meter MIN MATTE TIN PLATING | |
| | | ニッケルめっき(下地): 1.0 micro-meter MIN NICKEL PLATING (UNDER PLATING) | |

THIS DRAWING CONTAINS INFORMATION THAT IS PROPRIETARY TO MOLEX ELECTRONIC TECHNOLOGIES, LLC AND SHOULD NOT BE USED WITHOUT WRITTEN PERMISSION

DIMENSION UNITS: mm SCALE: NTS

GENERAL TOLERANCES (UNLESS SPECIFIED):
ANGULAR TOL ± 3.0°
4 PLACES ± 0.2
3 PLACES ± 0.2
2 PLACES ± 0.2
1 PLACE ± 0.2
0 PLACES ± 0.2

DRAFT WHERE APPLICABLE MUST REMAIN WITHIN DIMENSIONS

THIRD ANGLE PROJECTION

DRAWING: A3-SIZE

SERIES: 213227

MATERIAL NUMBER: SEE CHART

CUSTOMER: GENERAL

SHEET NUMBER: 1 OF 6

CURRENT REV DESC:

EC NO: 742719
DRWN: MIKEDA01 2023/06/23
CHK'D: SAKIYAMA 2023/06/23
APPR: AIDA 2023/06/23

INITIAL REVISION:
DRWN: MIKEDA01 2019/10/01
APPR: KOMURAKAMI 2019/11/20

DOCUMENT NUMBER: 2132270000-SD

DOC TYPE: PSD

DOC PART: 000

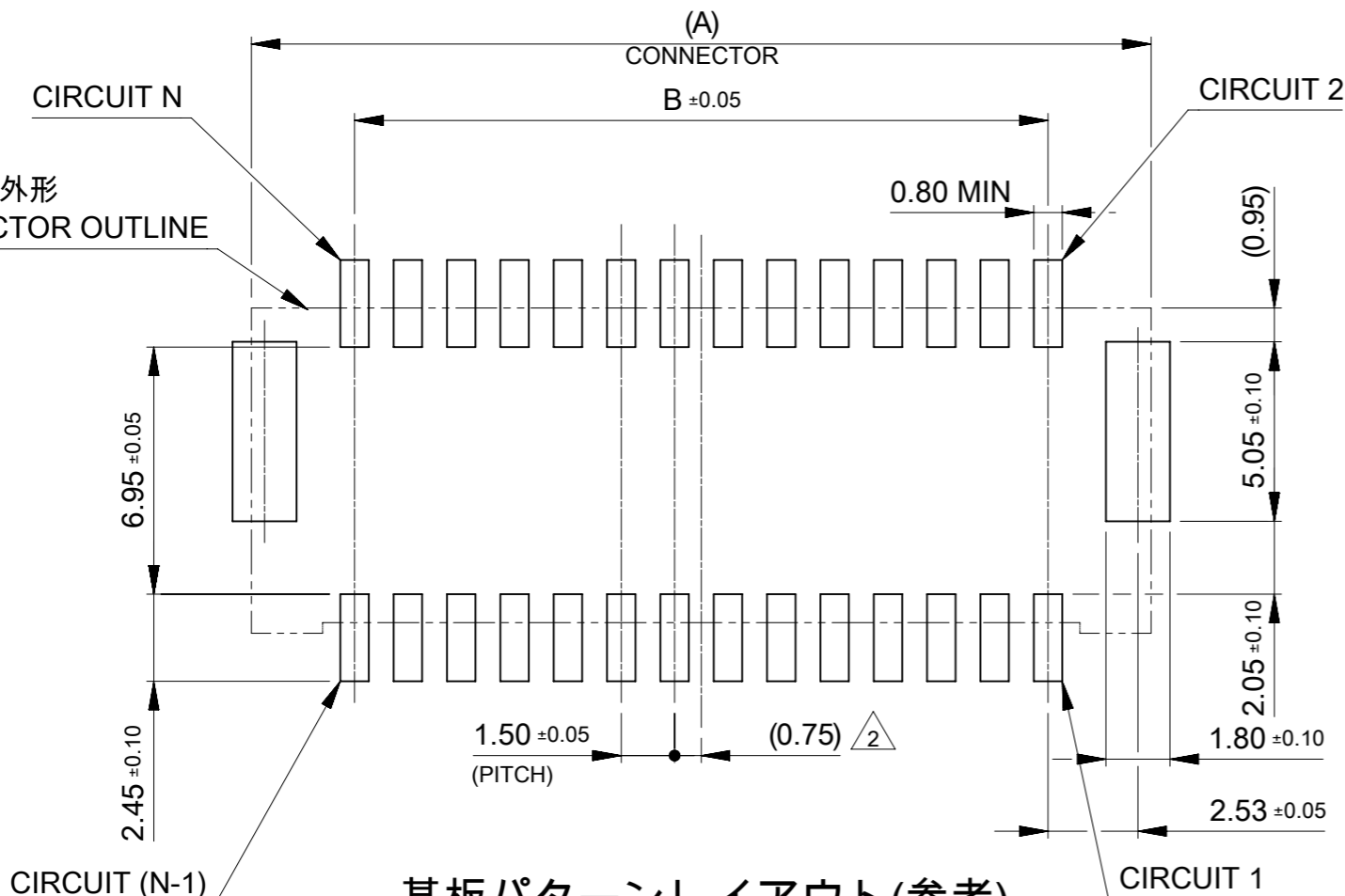
REVISION: D

molex

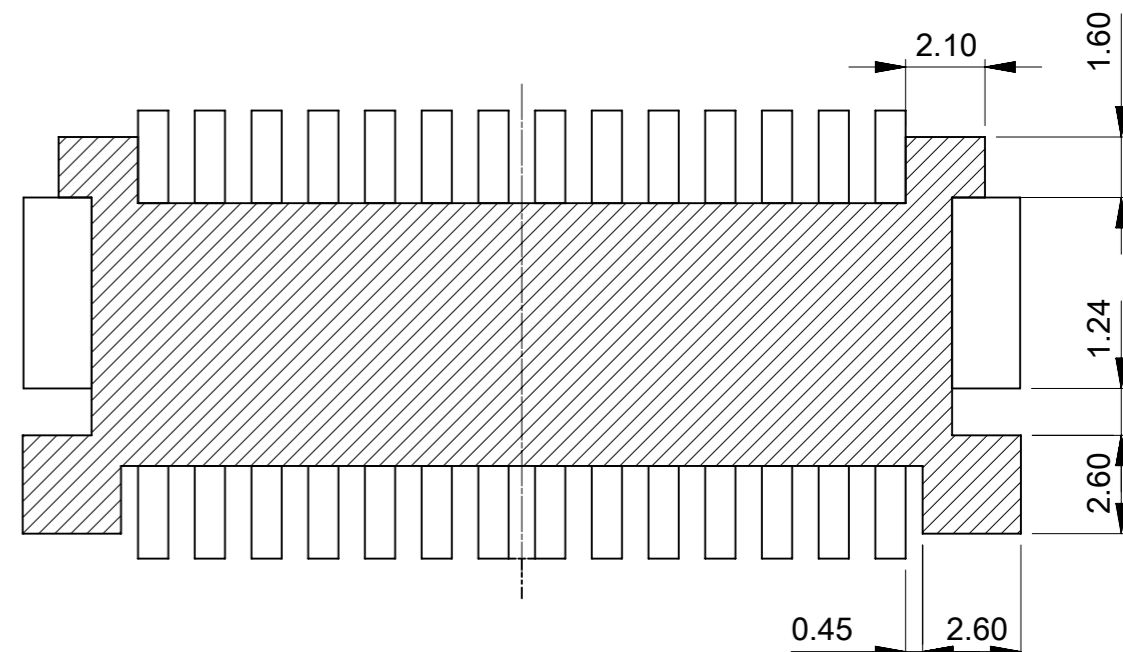
CLIK-MATE 1.5
DUAL ROW SMT VT TYPE GOLD PLATING

PRODUCT CUSTOMER DRAWING

コネクタ外形
CONNECTOR OUTLINE



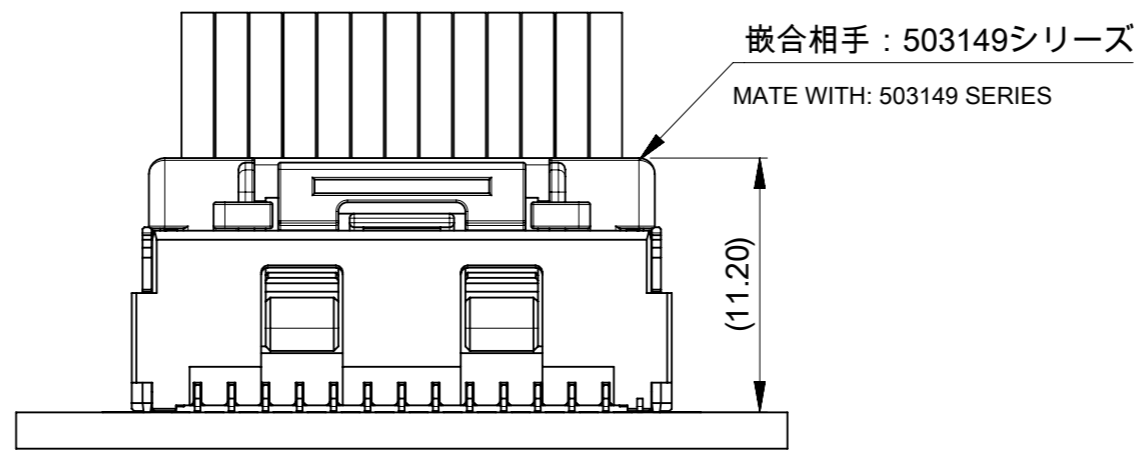
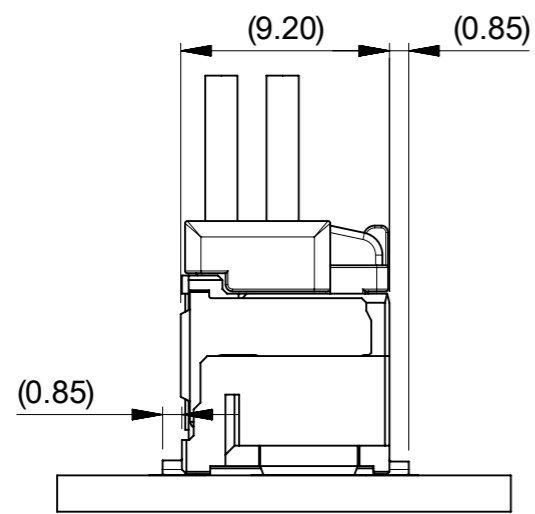
基板パターンレイアウト(参考)
 RECCOMENDED PCB PATTERN LAYOUT (REF.)
 (参考 : メタルマスク厚さ 0.10mm, マスク開口率100%)
 (REFERENCE: METAL MASK THICKNESS 0.10MM, APERTURE RATIO 100%)



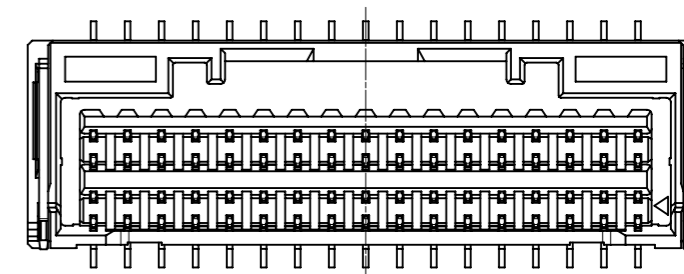
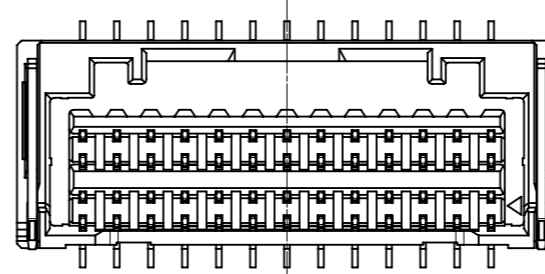
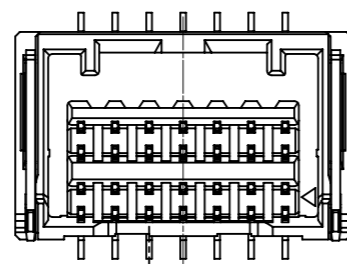
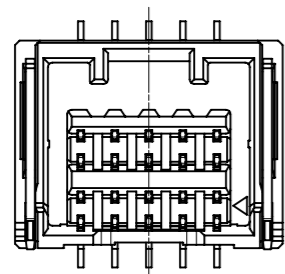
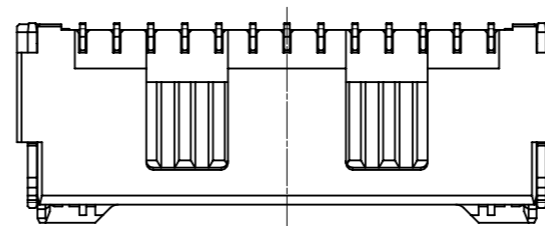
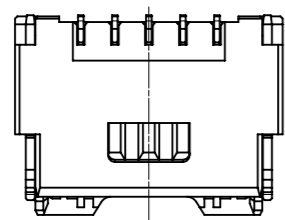
パターン非推奨エリア

パターンを引き回す際は、製品機能に影響がないことをご確認ください。
 PATTERN IS NOT RECCOMENDED ON THE HATCHED AREA.
 PLEASE CHECK NOT TO HAVE PROBLEM FOR PRODUCT FUNCTION
 WHEN SETTING PATTERN ON THE HATCHED AREA.

| | | | | | | | | | |
|---|--|-------|--|-----------------------------|--|-----------|--|-----------------------------------|--|
| THIS DRAWING CONTAINS INFORMATION THAT IS PROPRIETARY TO MOLEX ELECTRONIC TECHNOLOGIES, LLC AND SHOULD NOT BE USED WITHOUT WRITTEN PERMISSION | | | | | | | | | |
| DIMENSION UNITS | | SCALE | | CURRENT REV DESC: | | | | molex | |
| mm | | NTS | | | | | | | |
| GENERAL TOLERANCES (UNLESS SPECIFIED) | | | | EC NO: 742719 | | | | CLIK-MATE 1.5 | |
| ANGULAR TOL ± 3.0 ° | | | | DRWN: MIKEDA01 2023/06/23 | | | | DUAL ROW SMT VT TYPE GOLD PLATING | |
| 4 PLACES ± 0.2 | | | | CHK'D: SAKIYAMA 2023/06/23 | | | | PRODUCT CUSTOMER DRAWING | |
| 3 PLACES ± 0.2 | | | | APPR: AIDA 2023/06/23 | | | | DOCUMENT NUMBER | |
| 2 PLACES ± 0.2 | | | | INITIAL REVISION: | | | | DOC TYPE | |
| 1 PLACE ± 0.2 | | | | DRWN: MIKEDA01 2019/10/01 | | | | DOC PART | |
| 0 PLACES ± 0.2 | | | | APPR: KOMURAKAMI 2019/11/20 | | | | REVISION | |
| DRAFT WHERE APPLICABLE MUST REMAIN WITHIN DIMENSIONS | | | | THIRD ANGLE PROJECTION | | DRAWING | | SHEET NUMBER | |
| | | | | A3-SIZE | | SERIES | | MATERIAL NUMBER | |
| P1 | | | | 213227 | | CUSTOMER | | 2132270000-SD | |
| RELEASE DATE 2023/06/23 10:36:44 | | | | GENERAL | | SEE CHART | | PSD 000 D | |
| | | | | 2 OF 6 | | | | | |



嵌合図
MATED CONNECTORS

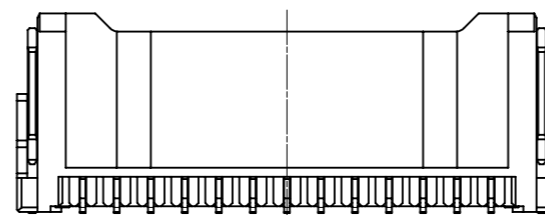
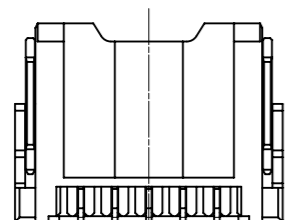


8-10極
8-10 CKT

12-18極
12-18 CKT

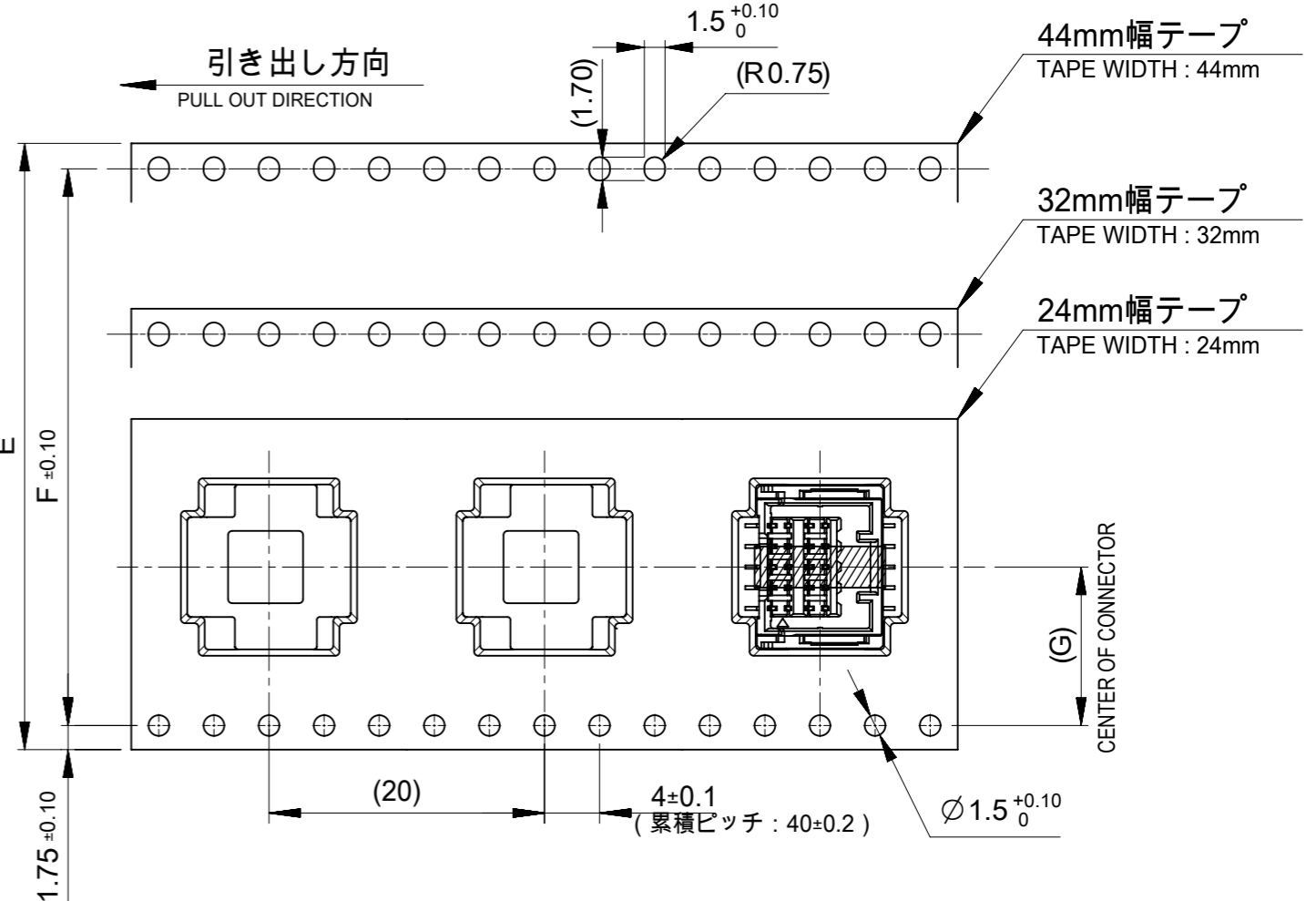
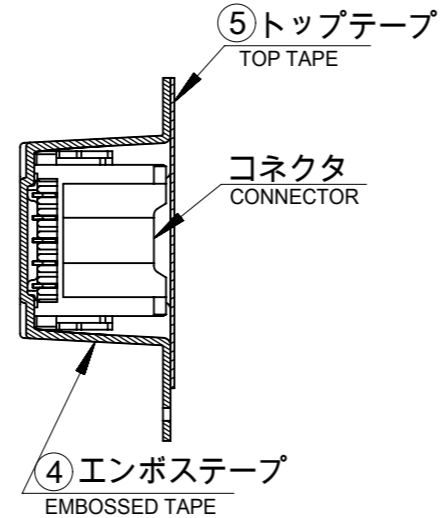
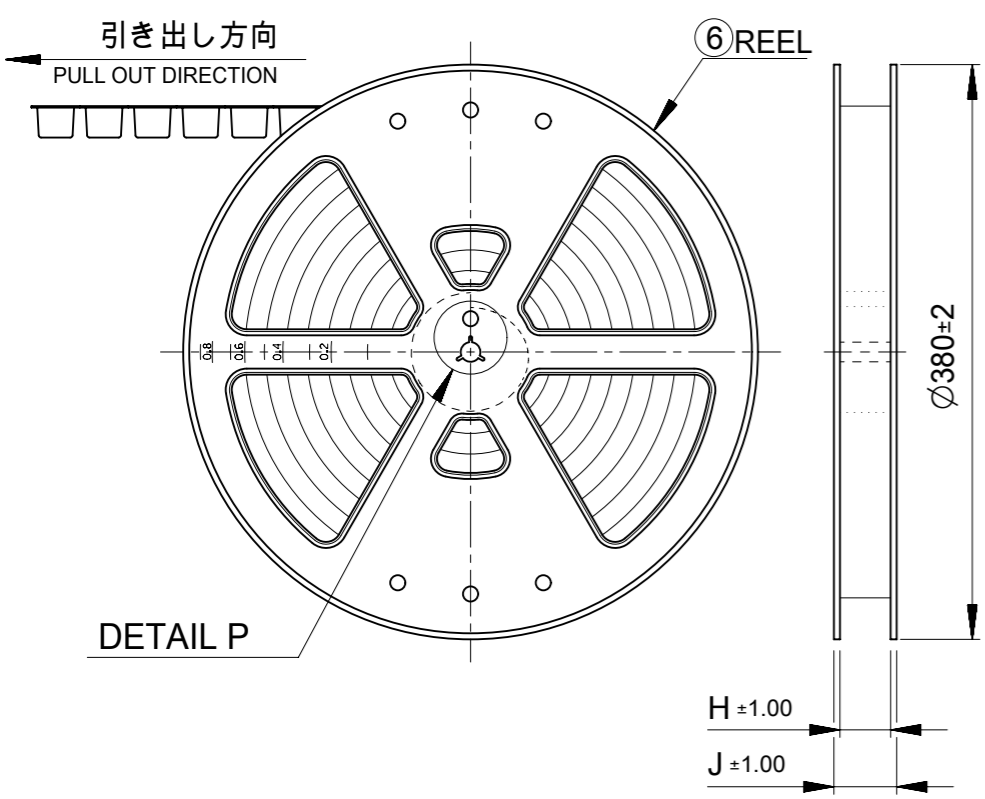
20-28極
20-28 CKT

30-34極
30-34 CKT



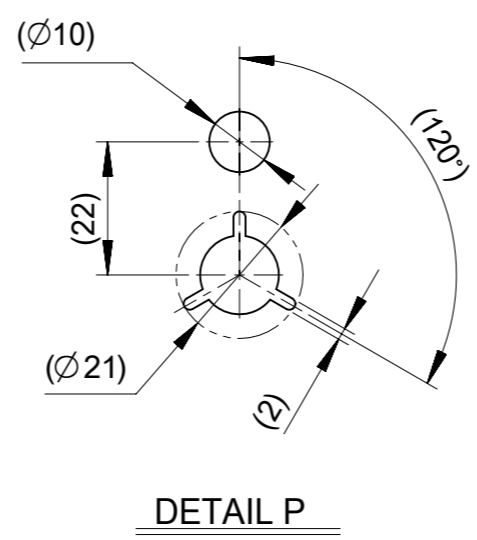
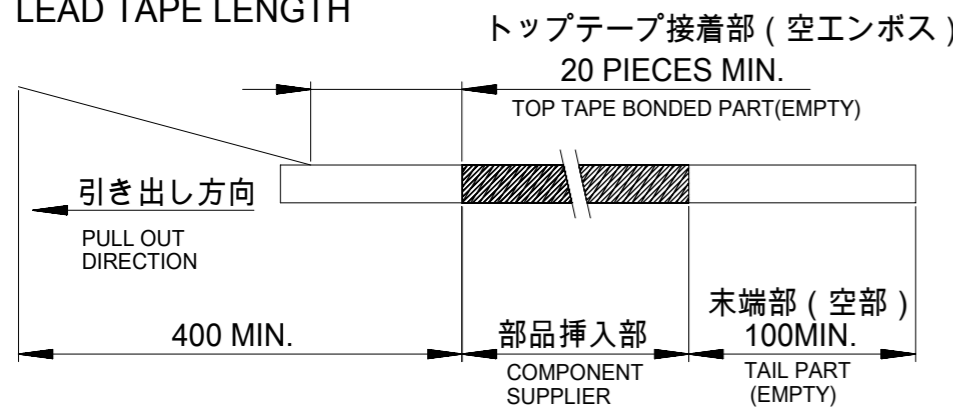
極数別ハウジング形状
HOUSING SHAPE OF EACH CKTS

| | | | | | |
|---|---------|------------------------|------------|--|-----------------|
| THIS DRAWING CONTAINS INFORMATION THAT IS PROPRIETARY TO MOLEX ELECTRONIC TECHNOLOGIES, LLC AND SHOULD NOT BE USED WITHOUT WRITTEN PERMISSION | | CURRENT REV DESC: | | molex | |
| DIMENSION UNITS | SCALE | | | | |
| mm | NTS | | | CLIK-MATE 1.5 DUAL ROW SMT VT TYPE GOLD PLATING | |
| GENERAL TOLERANCES (UNLESS SPECIFIED) | | EC NO: 742719 | | PRODUCT CUSTOMER DRAWING | |
| ANGULAR TOL | ± 3.0 ° | DRWN: MIKEDA01 | 2023/06/23 | DOCUMENT NUMBER | |
| 4 PLACES | ± 0.2 | CHK'D: SAKIYAMA | 2023/06/23 | 2132270000-SD | |
| 3 PLACES | ± 0.2 | APPR: AIDA | 2023/06/23 | DOC TYPE | DOC PART |
| 2 PLACES | ± 0.2 | INITIAL REVISION: | | PSD | 000 |
| 1 PLACE | ± 0.2 | DRWN: MIKEDA01 | 2019/10/01 | REVISION | |
| 0 PLACES | ± 0.2 | APPR: KOMURAKAMI | 2019/11/20 | D | |
| DRAFT WHERE APPLICABLE MUST REMAIN WITHIN DIMENSIONS | | THIRD ANGLE PROJECTION | DRAWING | SERIES | MATERIAL NUMBER |
| | | | A3-SIZE | 213227 | CUSTOMER |
| | | | | | SEE CHART |
| | | | | | GENERAL |
| | | | | | SHEET NUMBER |
| | | | | | 3 OF 6 |



NOTE

- 5. 梱包数量 : 450個 / リール
NUMBER OF CONNECTORS : 450 PIECES/REEL
- 6. リードテープ長さ
LEAD TAPE LENGTH



- 7. トップテープの剥離強度はJIS C0806-3に準拠
TOP TAPE PEELING OFF FORCE IS DIFINED BY JIS C0806-3
- 8. 本製品は乾燥剤入り、ハイバリア梱包である
THIS PRODUCT IS DELIVERED IN HIGH BARRIER PACKAGE WITH DESICCANT.

| | | | | | |
|---|---|---|---|------------------------------------|---------|
| | | | | | 34 |
| | | | | | 32 |
| | | | | | 30 |
| | | | | | 28 |
| | | | | 44±0.3 | 26 |
| | | | | | 24 |
| | | | | | 22 |
| | | | | | 20 |
| | | | | | 18 |
| | | | | | 16 |
| | | | | 32±0.3 | 14 |
| | | | | | 12 |
| | | | | 24 ^{+0.3} _{-0.1} | 10 |
| | | | | | 8 |
| J | H | G | F | エンボステープ幅E WIDTH OF TAPE | CKT NO. |

| 番号 No. | 部品 PART | 材質 MATERIAL |
|-----------|---------------------------|--|
| ④ | エンボステープ EMBOSSSED TAPE | ポリスチレン(PS) POLYSTYLENE |
| ⑤ | トップテープ TOP TAPE | ポリエチレン、ポリエチレンテレフタレート POLYETHYLENE (PE), POLYETHYLENE TELEPHTHALATE(PET) |
| ⑥ | リール REEL | ポリスチレン (リサイクル材を含む) POLYSTYLENE (CONTAINED RECYCLED MATERIAL) |

THIS DRAWING CONTAINS INFORMATION THAT IS PROPRIETARY TO MOLEX ELECTRONIC TECHNOLOGIES, LLC AND SHOULD NOT BE USED WITHOUT WRITTEN PERMISSION

| | | | | | | |
|--|--------------|------------------------|------------|-----------------|-----------------|--------------------------|
| DIMENSION UNITS mm | SCALE NTS | CURRENT REV DESC: | | molex | | |
| GENERAL TOLERANCES (UNLESS SPECIFIED) | | EC NO: 742719 | | | | |
| ANGULAR TOL | ± 3.0 ° | 4 PLACES | ± 0.2 | DRWN: MIKEDA01 | 2023/06/23 | PRODUCT CUSTOMER DRAWING |
| 3 PLACES | ± 0.2 | CHK'D: SAKIYAMA | 2023/06/23 | APPR: AIDA | 2023/06/23 | |
| 2 PLACES | ± 0.2 | INITIAL REVISION: | | DOCUMENT NUMBER | | |
| 1 PLACE | ± 0.2 | DRWN: MIKEDA01 | 2019/10/01 | 2132270000-SD | | |
| 0 PLACES | ± 0.2 | APPR: KOMURAKAMI | 2019/11/20 | DOC TYPE | DOC PART | REVISION |
| DRAFT WHERE APPLICABLE MUST REMAIN WITHIN DIMENSIONS | | THIRD ANGLE PROJECTION | DRAWING | SERIES | MATERIAL NUMBER | CUSTOMER |
| | | | A3-SIZE | 213227 | SEE CHART | GENERAL |
| | | | | | | SHEET NUMBER 4 OF 6 |

△ 3 適用製品及び各種仕様書
 APPLICABLE PRODUCTS AND VARIOUS SPECIFICATIONS

| | | |
|----------------------------------|----------------------------|-----------------------------------|
| 梱包仕様書 PACKAGING SPECIFICATION | PART NUMBER 213227 **** | DOCUMENT NUMBER 2132279200-SPK |
|----------------------------------|----------------------------|-----------------------------------|

| | | | | |
|--|----------------------|-------------------------|-------------|-------------|
| 適用嵌合相手 MATE WITH | HOUSING | TERMINAL (GOLD PLATING) | | |
| | | PLATING THK | #24-28 | #28-30 |
| 製品番号 PRODUCT NUMBER | 503149 **** | 0.1 micro-meters | 213028 1*00 | 213029 1*00 |
| | | 0.38 micro-meters | 213028 3*00 | 213029 3*00 |
| | | 0.76 micro-meters | 213028 7*00 | 213029 7*00 |
| 製品仕様書 PRODUCT SPECIFICATION | 5031490002-PS/PS/000 | | | |
| アプリケーション仕様書 APPLICATION SPECIFICATION | AS-503149-001 | | | |

| | | | | | | | | | | | |
|---|-------------------|------------------------|--|------------|--------|--|--|----------|-----|--------------|---|
| THIS DRAWING CONTAINS INFORMATION THAT IS PROPRIETARY TO MOLEX ELECTRONIC TECHNOLOGIES, LLC AND SHOULD NOT BE USED WITHOUT WRITTEN PERMISSION | | | | | | | | | | | |
| DIMENSION UNITS | SCALE | CURRENT REV DESC: | | | | molex | | | | | |
| mm | NTS | | | | | CLIK-MATE 1.5 DUAL ROW SMT VT TYPE GOLD PLATING | | | | | |
| GENERAL TOLERANCES (UNLESS SPECIFIED) | | | | | | PRODUCT CUSTOMER DRAWING | | | | | |
| ANGULAR TOL ± 3.0 ° | | | | | | DOCUMENT NUMBER | | | | | |
| 4 PLACES ± 0.2 | DRWN: MIKEDA01 | | | 2023/06/23 | | 2132270000-SD | | | PSD | 000 | D |
| 3 PLACES ± 0.2 | CHK'D: SAKIYAMA | | | 2023/06/23 | | | | | | | |
| 2 PLACES ± 0.2 | APPR: AIDA | | | 2023/06/23 | | | | | | | |
| 1 PLACE ± 0.2 | INITIAL REVISION: | | | | | | | | | | |
| 0 PLACES ± 0.2 | DRWN: MIKEDA01 | | | 2019/10/01 | | | | | | | |
| | APPR: KOMURAKAMI | | | 2019/11/20 | | | | | | | |
| DRAFT WHERE APPLICABLE MUST REMAIN WITHIN DIMENSIONS | | THIRD ANGLE PROJECTION | | DRAWING | SERIES | MATERIAL NUMBER | | CUSTOMER | | SHEET NUMBER | |
| | | | | A3-SIZE | 213227 | SEE CHART | | GENERAL | | 5 OF 6 | |

| | | | | |
|-----------------|----|--------------|------------|----------|
| DOCUMENT STATUS | P1 | RELEASE DATE | 2023/06/23 | 10:36:44 |
|-----------------|----|--------------|------------|----------|

4 製品一覧
PRODUCTS LIST

| 黒 BLACK | ナチュラル NATURAL | HOUSING COLOR | |
|-----------------|---------------|---------------|---|
| 213227 3411 | 213227 3410 | 34 | 213227 **1* (GOLD PLATING THICKNESS: 0.1 micro-meters MIN) |
| 213227 3211 | 213227 3210 | 32 | |
| 213227 3011 | 213227 3010 | 30 | |
| 213227 2811 | 213227 2810 | 28 | |
| 213227 2611 | 213227 2610 | 26 | |
| 213227 2411 | 213227 2410 | 24 | |
| 213227 2211 | 213227 2210 | 22 | |
| 213227 2011 | 213227 2010 | 20 | |
| 213227 1811 | 213227 1810 | 18 | |
| 213227 1611 | 213227 1610 | 16 | |
| 213227 1411 | 213227 1410 | 14 | |
| 213227 1211 | 213227 1210 | 12 | |
| 213227 1011 | 213227 1010 | 10 | |
| 213227 0811 | 213227 0810 | 8 | |
| オーダー番号 ORDER No | | 極数 CKT | |

| 黒 BLACK | ナチュラル NATURAL | HOUSING COLOR | |
|-----------------|---------------|---------------|--|
| 213227 3431 | 213227 3430 | 34 | 213227 **3* (GOLD PLATING THICKNESS: 0.38 micro-meters MIN) |
| 213227 3231 | 213227 3230 | 32 | |
| 213227 3031 | 213227 3030 | 30 | |
| 213227 2831 | 213227 2830 | 28 | |
| 213227 2631 | 213227 2630 | 26 | |
| 213227 2431 | 213227 2430 | 24 | |
| 213227 2231 | 213227 2230 | 22 | |
| 213227 2031 | 213227 2030 | 20 | |
| 213227 1831 | 213227 1830 | 18 | |
| 213227 1631 | 213227 1630 | 16 | |
| 213227 1431 | 213227 1430 | 14 | |
| 213227 1231 | 213227 1230 | 12 | |
| 213227 1031 | 213227 1030 | 10 | |
| 213227 0831 | 213227 0830 | 8 | |
| オーダー番号 ORDER No | | 極数 CKT | |

| 黒 BLACK | ナチュラル NATURAL | HOUSING COLOR | |
|-----------------|---------------|---------------|---|
| 213227 3471 | 213227 3470 | 34 | 213227 **7* (GOLD PLATING THICKNESS: 0.76 micro-meters MIN.) |
| 213227 3271 | 213227 3270 | 32 | |
| 213227 3071 | 213227 3070 | 30 | |
| 213227 2871 | 213227 2870 | 28 | |
| 213227 2671 | 213227 2670 | 26 | |
| 213227 2471 | 213227 2470 | 24 | |
| 213227 2271 | 213227 2270 | 22 | |
| 213227 2071 | 213227 2070 | 20 | |
| 213227 1871 | 213227 1870 | 18 | |
| 213227 1671 | 213227 1670 | 16 | |
| 213227 1471 | 213227 1470 | 14 | |
| 213227 1271 | 213227 1270 | 12 | |
| 213227 1071 | 213227 1070 | 10 | |
| 213227 0871 | 213227 0870 | 8 | |
| オーダー番号 ORDER No | | 極数 CKT | |

| | | | | | | | | | | | | | |
|---|--|------------------------|--|--|--------|-----------------|----------|-----------------|--------------|----------|----------|----------|--|
| THIS DRAWING CONTAINS INFORMATION THAT IS PROPRIETARY TO MOLEX ELECTRONIC TECHNOLOGIES, LLC AND SHOULD NOT BE USED WITHOUT WRITTEN PERMISSION | | | | | | | | | | | | | |
| DIMENSION UNITS | | SCALE | | CURRENT REV DESC: | | | | molex | | | | | |
| mm | | NTS | | | | | | | | | | | |
| GENERAL TOLERANCES (UNLESS SPECIFIED) | | | | EC NO: 742719 DRWN: MIKEDA01 2023/06/23 CHK'D: SAKIYAMA 2023/06/23 APPR: AIDA 2023/06/23 INITIAL REVISION: DRWN: MIKEDA01 2019/10/01 APPR: KOMURAKAMI 2019/11/20 | | | | DOCUMENT NUMBER | | DOC TYPE | DOC PART | REVISION | |
| ANGULAR TOL ± 3.0 ° | | | | | | | | 2132270000-SD | | PSD | 000 | D | |
| 4 PLACES ± 0.2 | | | | | | | | | | | | | |
| 3 PLACES ± 0.2 | | | | | | | | | | | | | |
| 2 PLACES ± 0.2 | | | | | | | | | | | | | |
| 1 PLACE ± 0.2 | | | | | | | | | | | | | |
| 0 PLACES ± 0.2 | | | | | | | | | | | | | |
| DRAFT WHERE APPLICABLE MUST REMAIN WITHIN DIMENSIONS | | THIRD ANGLE PROJECTION | | DRAWING | SERIES | MATERIAL NUMBER | CUSTOMER | | SHEET NUMBER | | | | |
| | | | | A3-SIZE | 213227 | SEE CHART | GENERAL | | 6 OF 6 | | | | |