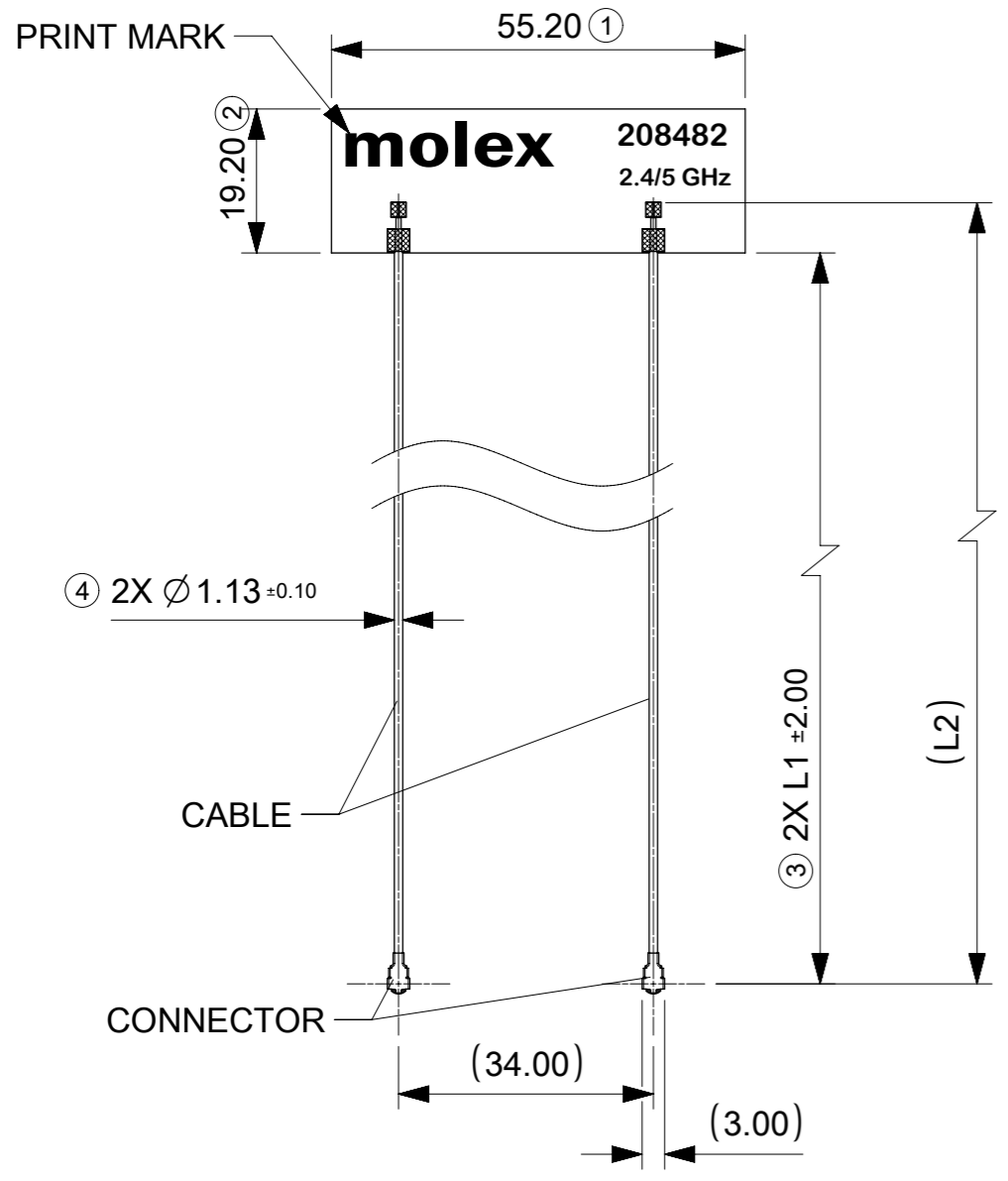
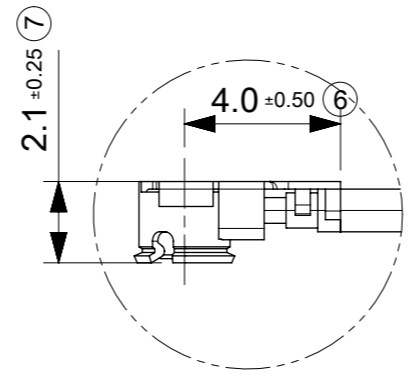
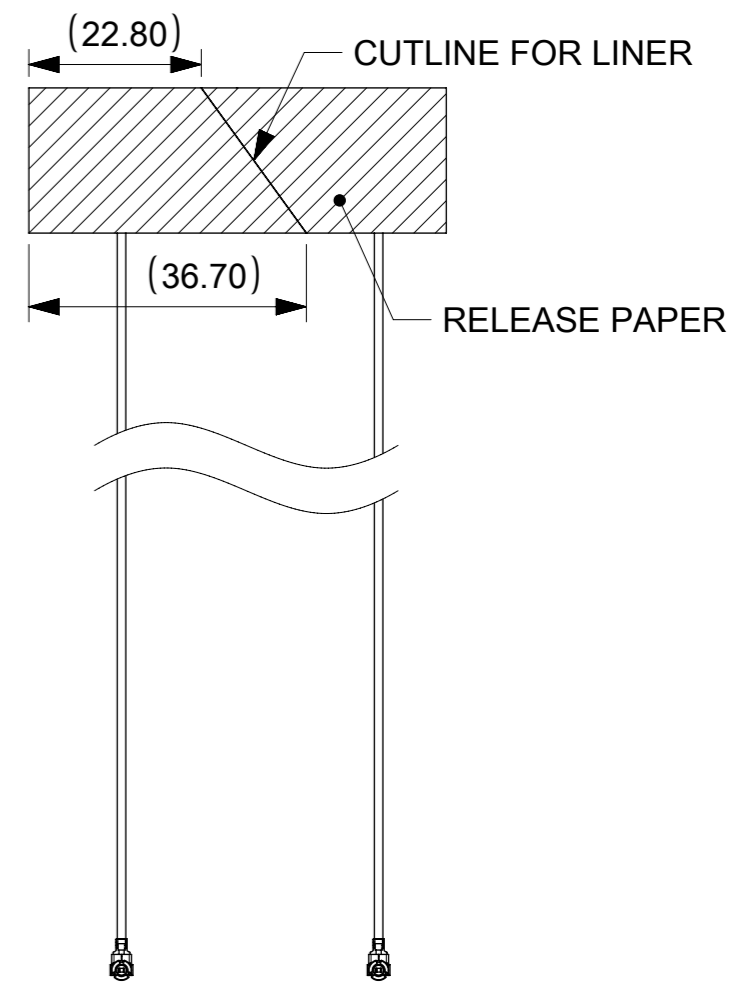


REV	DATE	DESCRIPTION
A	2022/05/11	NEW RELEASE
A1	2023/11/23	OBSOLETED P/N 2084829150



⑤ 2.00mm WITH SOLDER PASTE MAX (INCLUDE FLEX)
 (0.31) FLEX THICKNESS



DETAIL B
SCALE 5:1
CONNECTOR

- NOTES:
- MATERIAL:
 FLEX SOLDER MASK BLACK IN COLOR.
 PRINT TEXT WHITE IN COLOR.
 CABLE: Ø1.13MM, BLACK IN COLOR.
 CONNECTOR: MHF-1 PLUG AU TYPE (P/N: 20278-112R-13).
 ADHESIVE: TESA 68537. THICKNESS: 100UM.
 - FOR PULL TEST, CAN NOT LIFT UP IN THE VERTICAL DIRECTION.
 - THE CONNECTOR WILL BE PROTECTED WITH A CAP
 - APPLICATION SPEC PLEASE REFER TO AS OF AS-2084820100.
 - PRODUCT SPEC PLEASE REFER TO PS OF PS-2084829100.

ITEM	MATERIAL NO.	CABLE LENGTH "L1"	CABLE LENGTH "L2"
1	2084829100	93.24mm	100mm
2	2084829200	193.24mm	200mm

THIS DRAWING CONTAINS INFORMATION THAT IS PROPRIETARY TO MOLEX ELECTRONIC TECHNOLOGIES, LLC AND SHOULD NOT BE USED WITHOUT WRITTEN PERMISSION

DIMENSION UNITS mm	SCALE 1:1	CURRENT REV DESC: REMOVED OBSOLETE PART NUMBERS AS PER PCN#514494	molex		
GENERAL TOLERANCES (UNLESS SPECIFIED)		EC NO: 770993			
ANGULAR TOL ± 2.0 °	4 PLACES ±	DRWN: MADHAM5 2023/11/24	PRODUCT CUSTOMER DRAWING		
3 PLACES ± 0.2	2 PLACES ± 0.25	CHK'D: GGA 2023/12/25	DOCUMENT NUMBER		
1 PLACE ± 0.3	0 PLACES ± 0.5	APPR: GGA 2023/12/25	2084829100		
DRAFT WHERE APPLICABLE MUST REMAIN WITHIN DIMENSIONS	THIRD ANGLE PROJECTION	INITIAL REVISION: DRWN: KCHENG06 2022/05/11 APPR: HORACM1 2022/05/13	DOC TYPE PSD	DOC PART 001	REVISION A1
		DRAWING A3-SIZE	SERIES 208482	MATERIAL NUMBER SEE TABLE	CUSTOMER GENERAL MARKET
				SHEET NUMBER 1 OF 1	