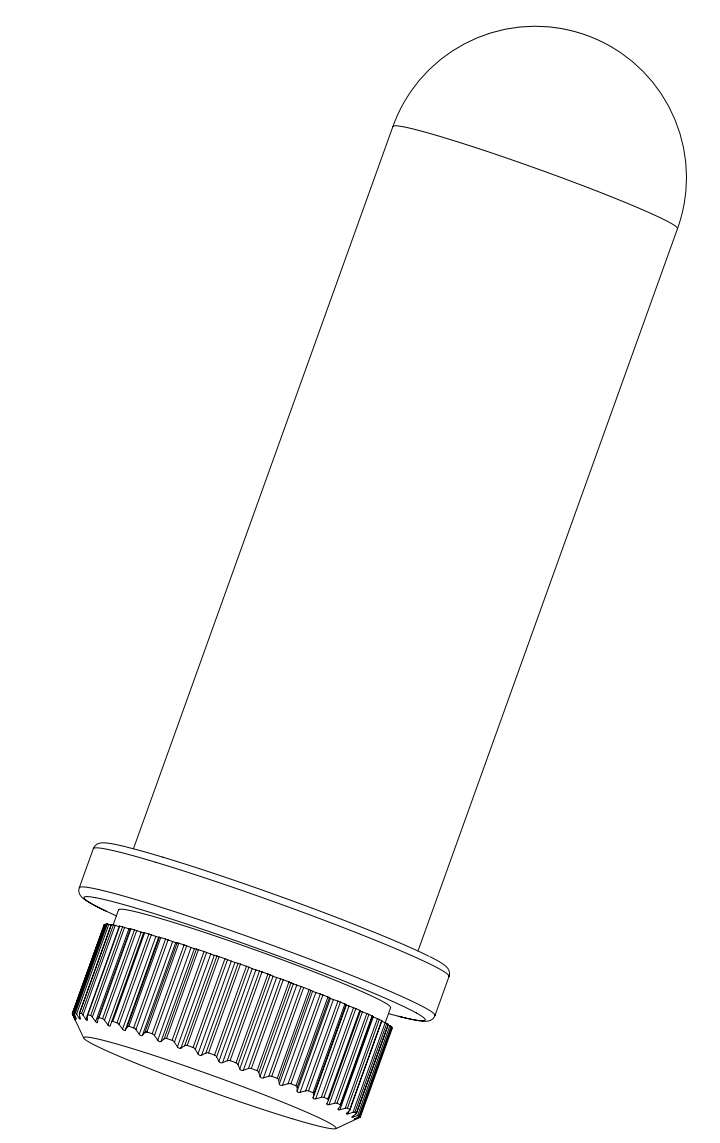
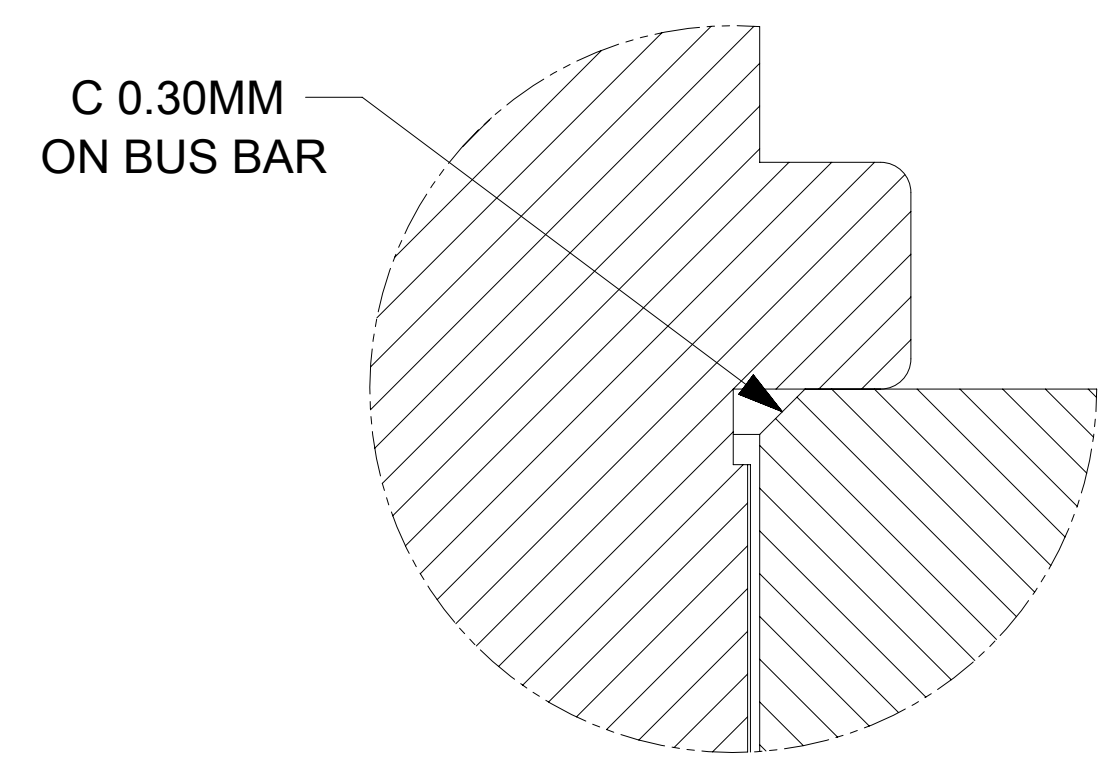
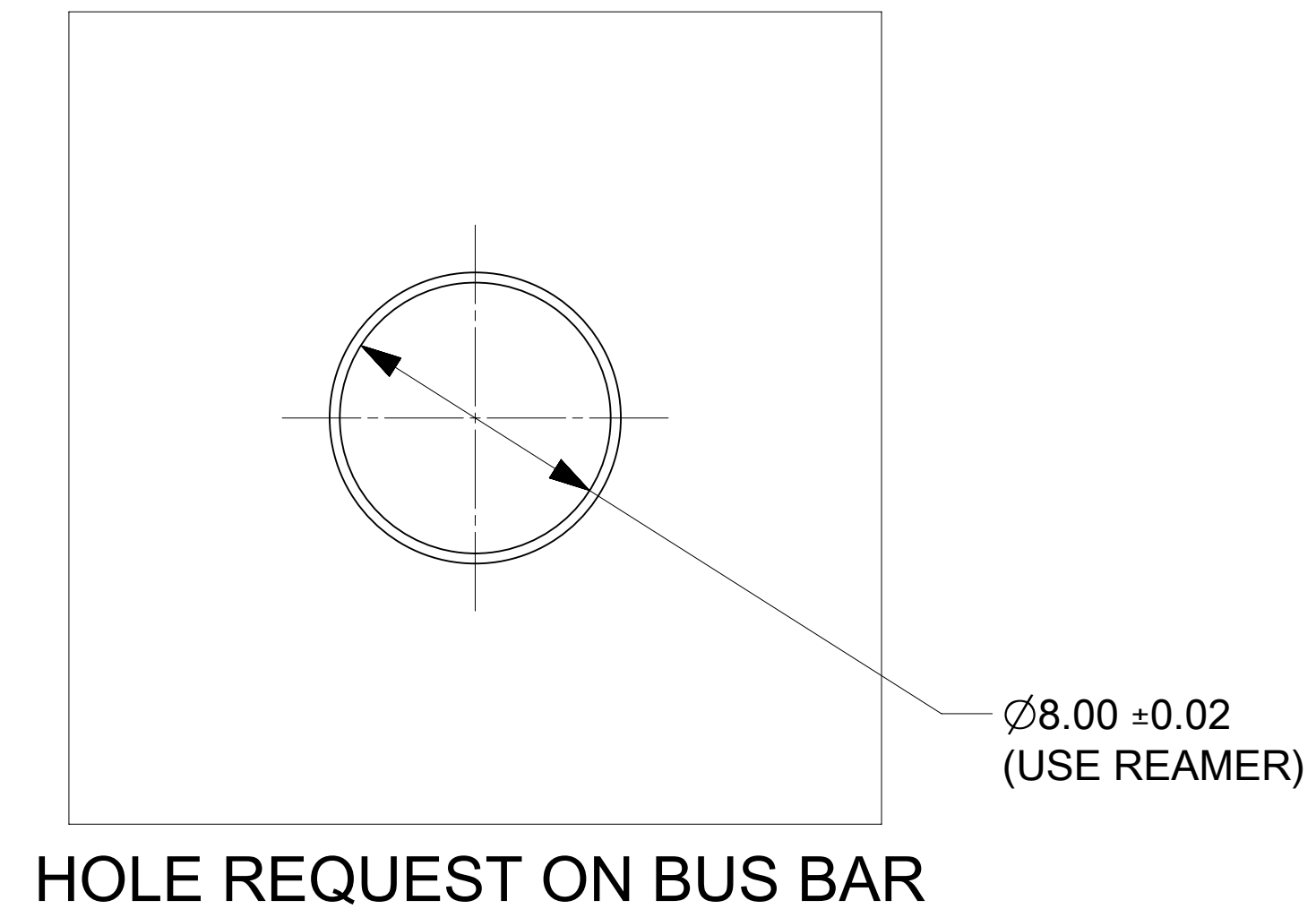
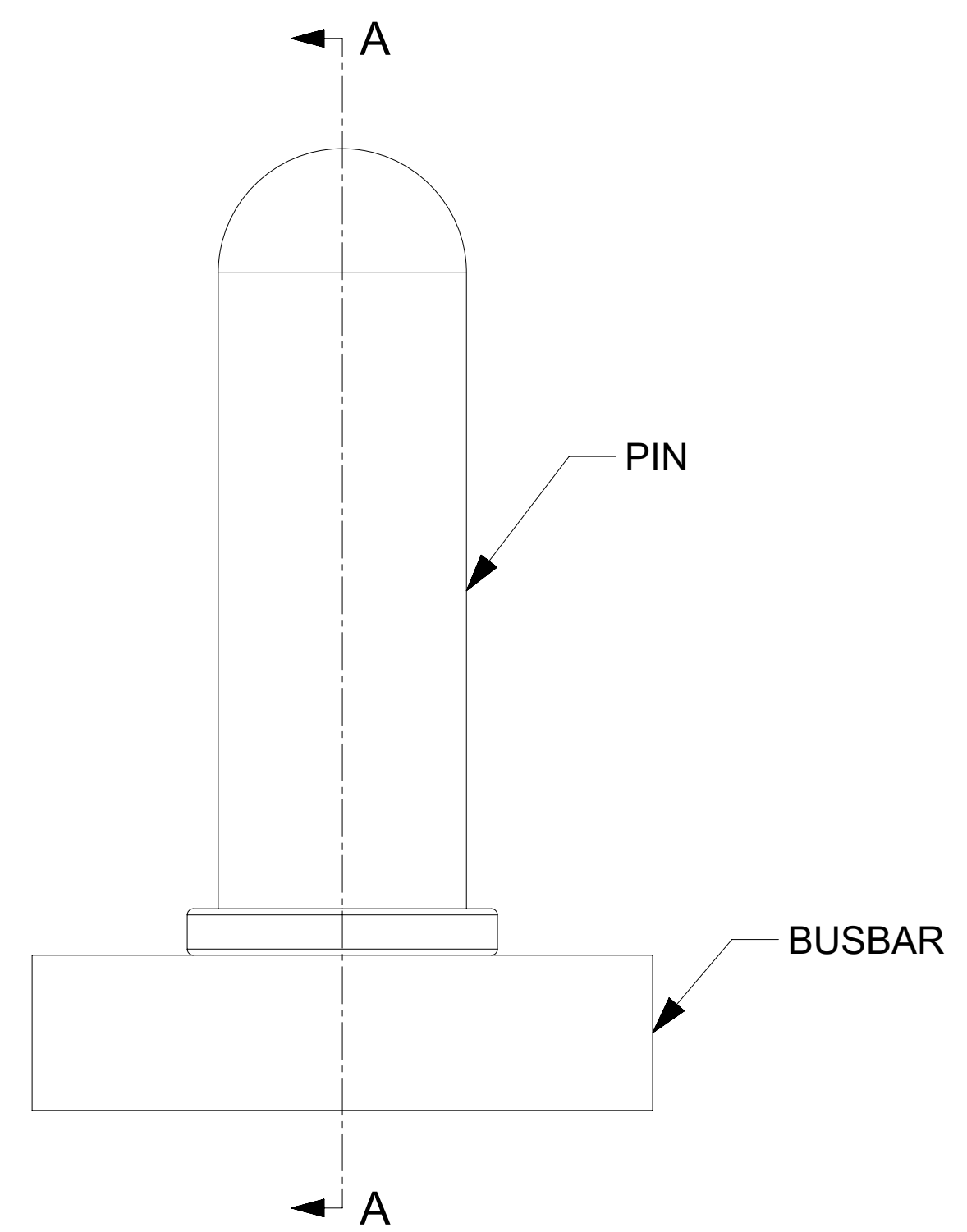
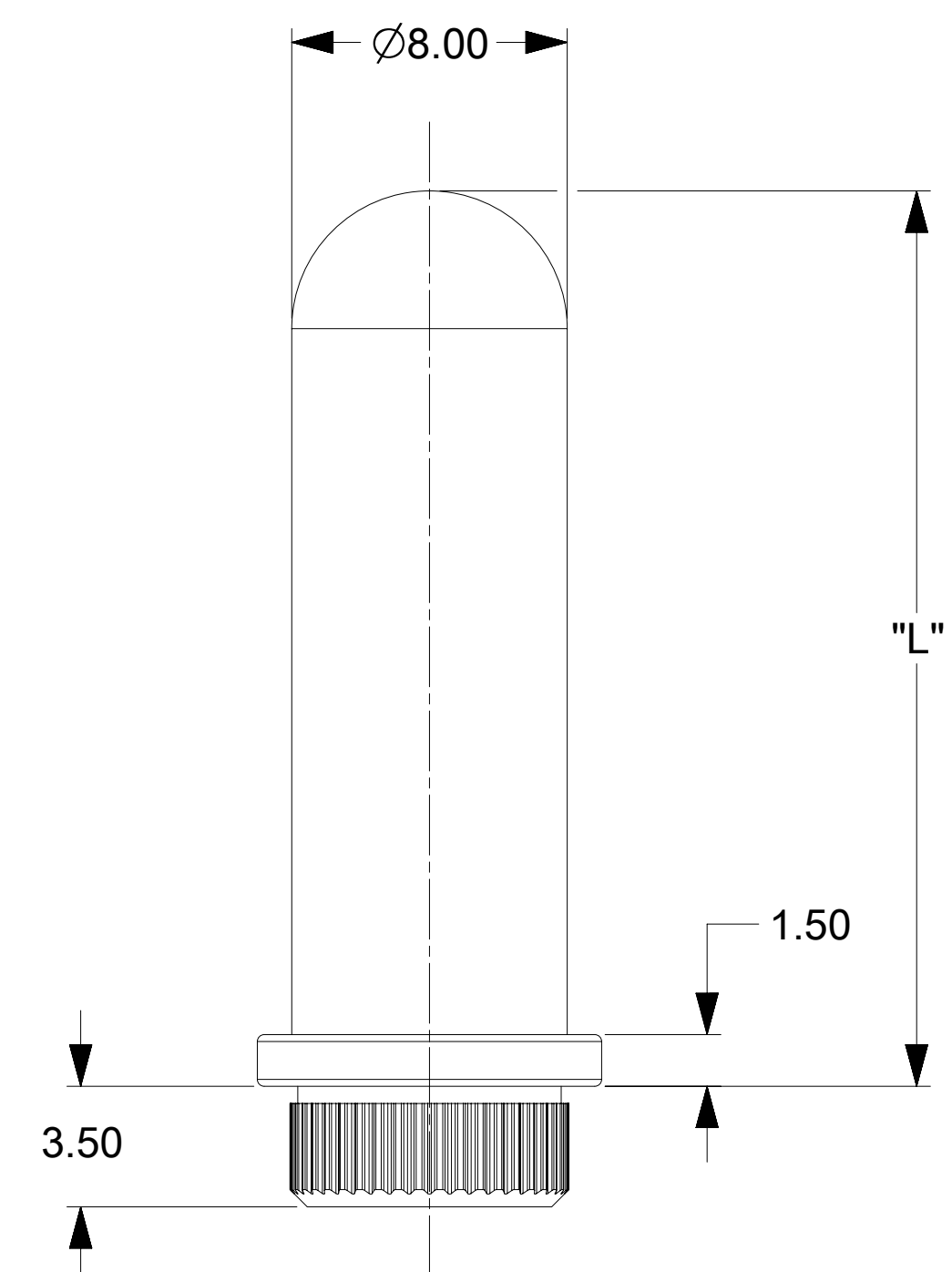
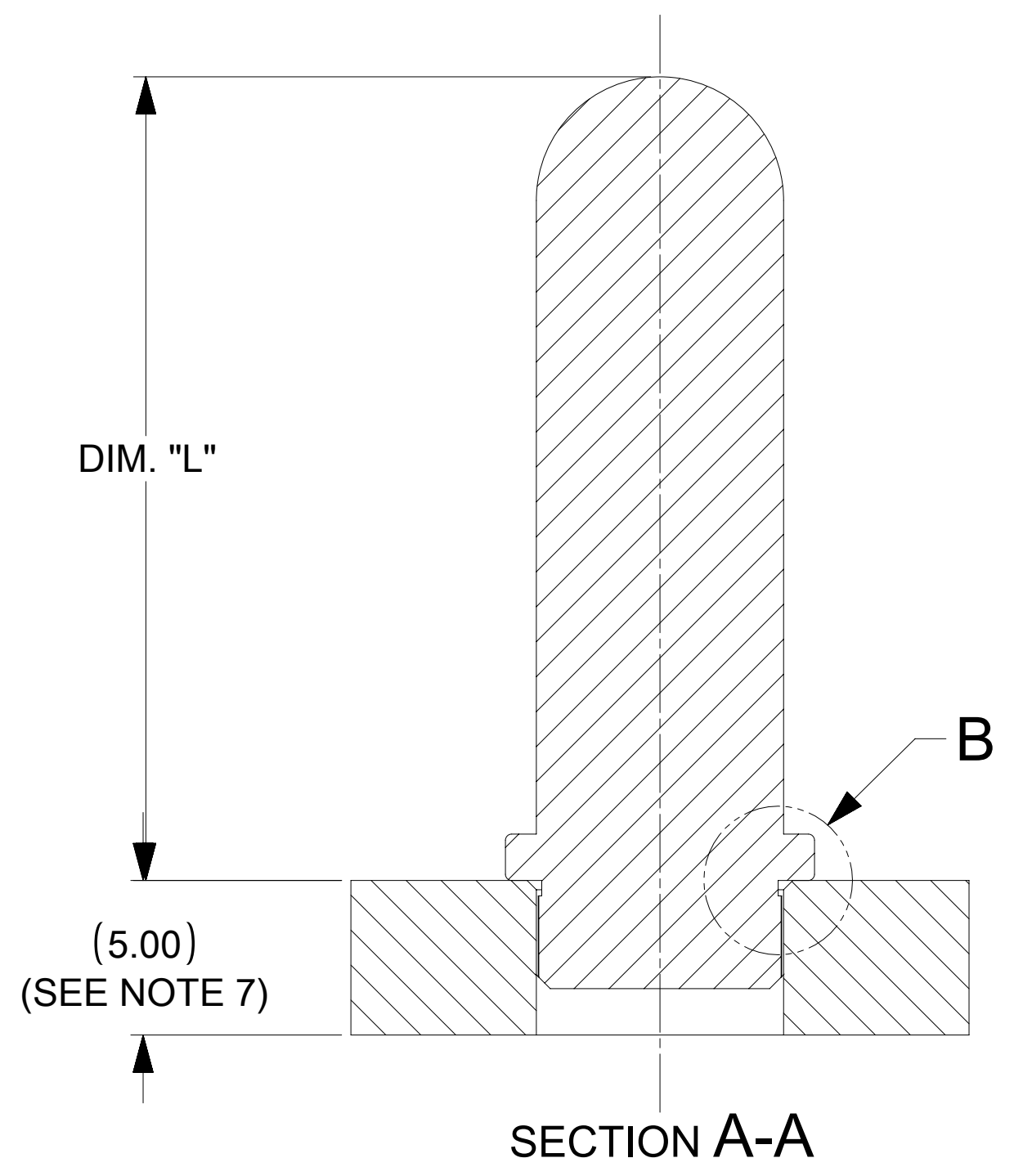
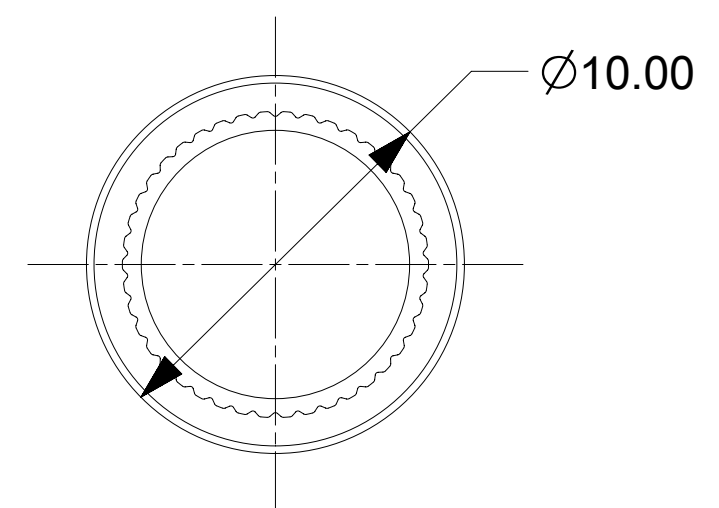


PART NUMBER	DIMENSION L
203263-0011	16.00
203263-0001	26.00
203263-0031	36.00
203263-0041	46.00
203263-0051	39.00
203263-0061	20.00
203263-0071	48.00



ISOMETRIC VIEW OF THE
CST 8.00MM MALE PIN, PRESS-FIT MOUNT

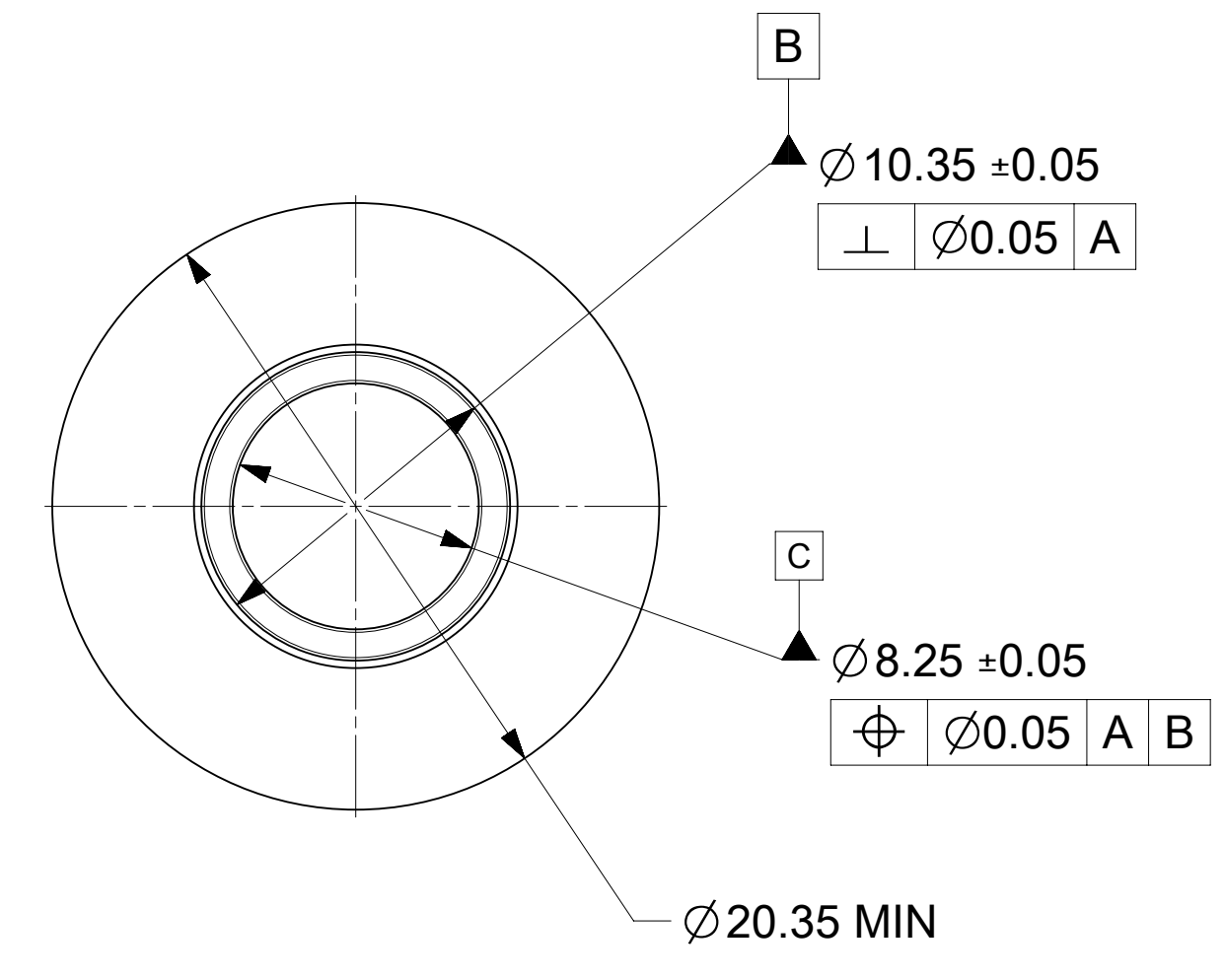
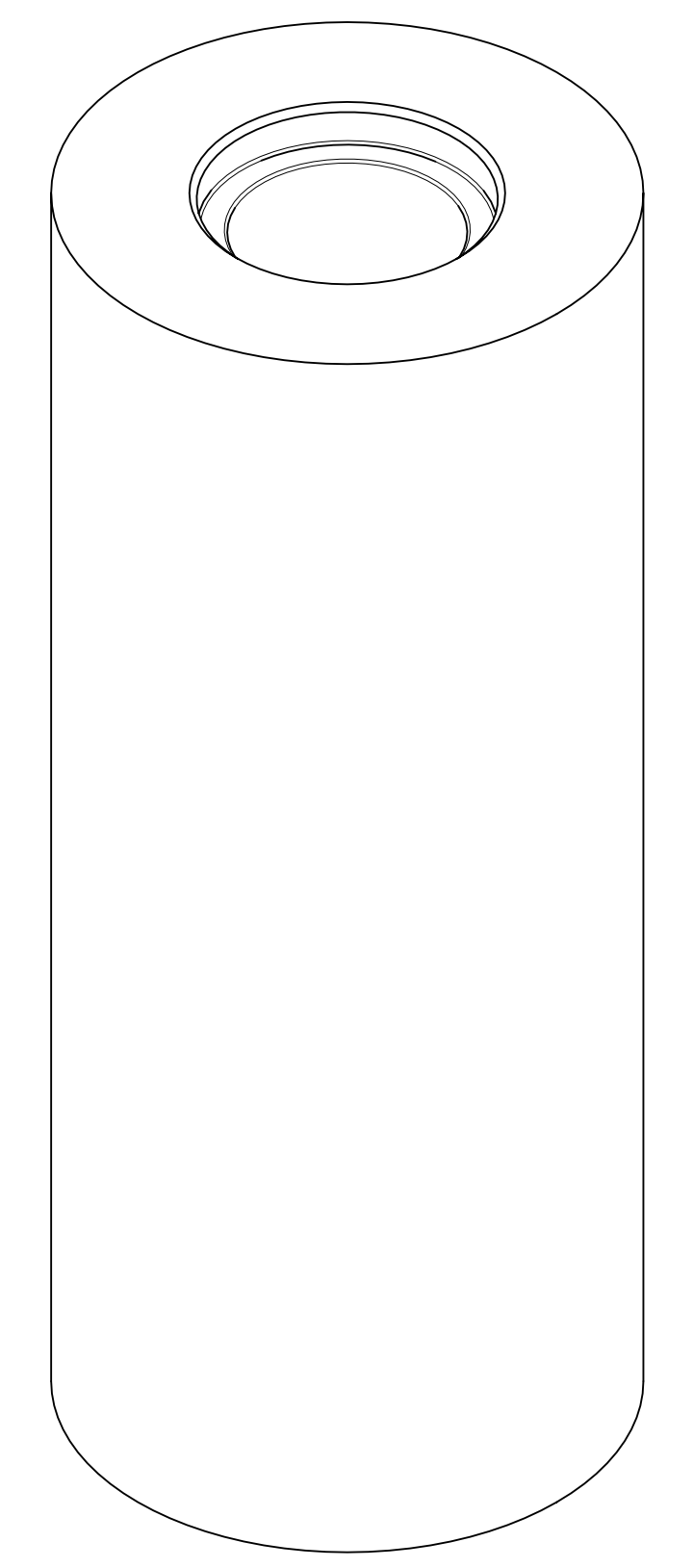
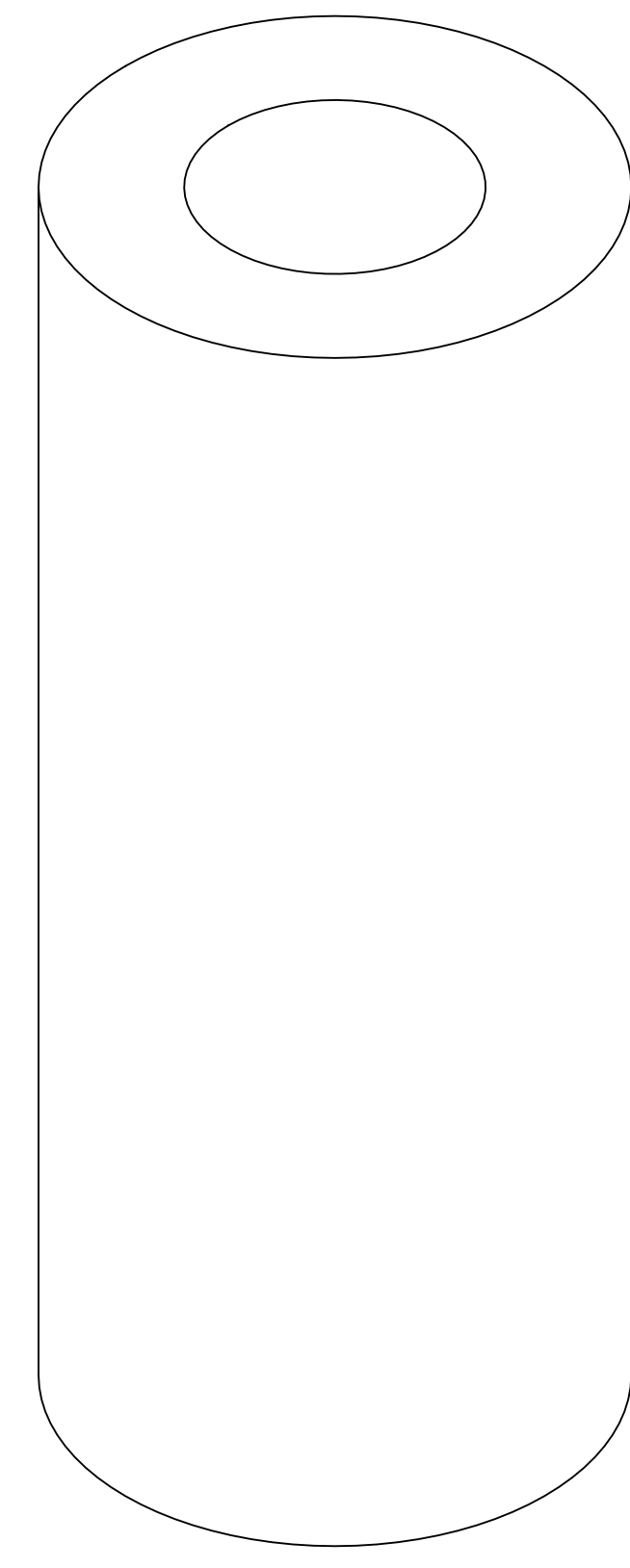
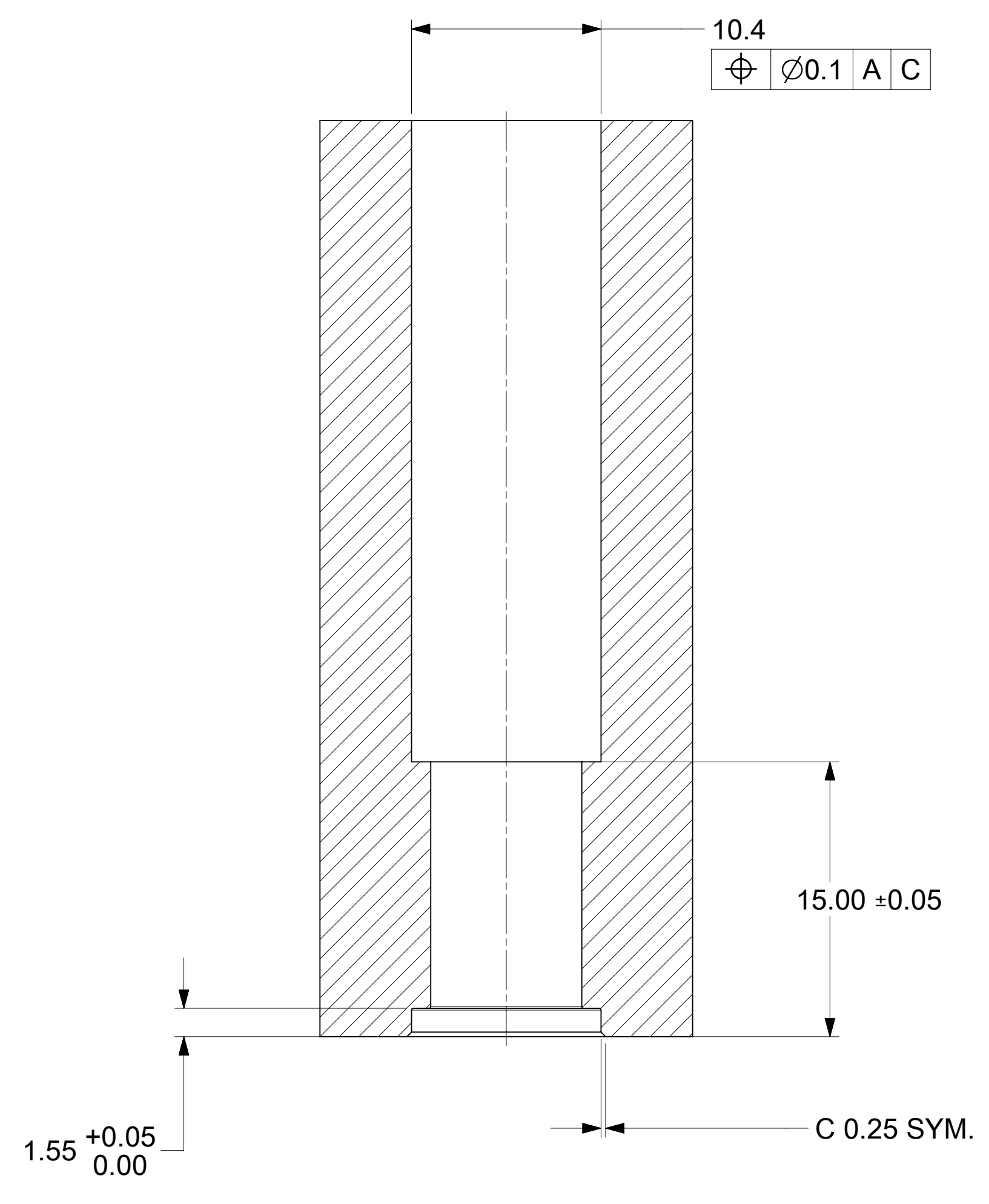
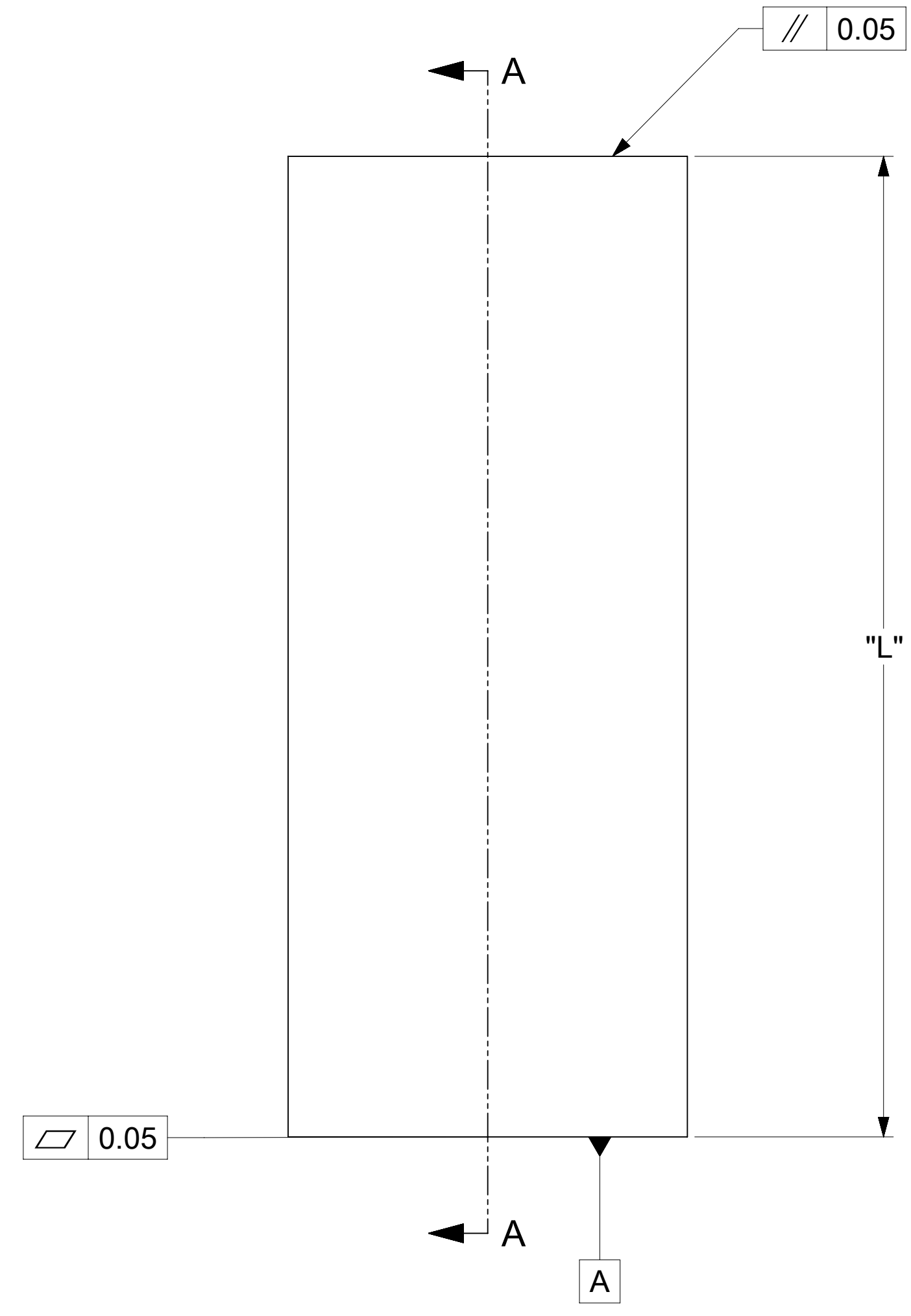


NOTES :

- MATERIALS :
- BASE METAL: HIGH CONDUCTIVE COPPER ALLOY
- PLATING ON BODY: 3.18 MICRON MIN SILVER OVER 1.27 MICRON MIN NICKEL
- PRODUCT SPECIFICATION : 2043130001-PS
- APPLICATION SPECIFICATION : 2043130001-AS
- PACKAGING SPECIFICATION : 2032630006-PK
- SILVER COMPONENTS WILL BE SUPPLIED TARNISH FREE BUT MAY TARNISH OVER TIME.
- MINIMUM RECOMMENDED BUSBAR THICKNESS IS 1.50MM

THIS DRAWING CONTAINS INFORMATION THAT IS PROPRIETARY TO MOLEX ELECTRONIC TECHNOLOGIES, LLC AND SHOULD NOT BE USED WITHOUT WRITTEN PERMISSION											
DIMENSION UNITS		SCALE		CURRENT REV DESC: UPDATED THE DESCRIPTION							
mm		NTS									
GENERAL TOLERANCES (UNLESS SPECIFIED)											
ANGULAR TOL		± 0.5°									
4 PLACES		±		EC NO: 726284							
3 PLACES		±		DRWN: SOURAJ 2022/10/26							
2 PLACES		± 0.15		CHK'D: SUVARS 2022/10/27							
1 PLACE		± 0.25		APPR: GSHARMA 2022/10/28							
0 PLACES		±		INITIAL REVISION:							
DRAFT WHERE APPLICABLE MUST REMAIN WITHIN DIMENSIONS				THIRD ANGLE PROJECTION		DRAWING		SERIES		MATERIAL NUMBER	
						D-SIZE		203263		2032630001-SD	
						SEE TABLE		GENERAL MARKET		PSD 000 A4	
										SHEET NUMBER	
										1 OF 1	

PIN LENGTH RANGE IN MM	DIMENSION "L" IN MM
UPTO 20	25.0
20-30	35.0
30-40	45.0
40-50	55.0



- NOTES:
 1. MATERIAL: STAINLESS STEEL
 2. BREAK ALL SHARP CORNERS AND EDGES

THIS DRAWING CONTAINS INFORMATION THAT IS PROPRIETARY TO MOLEX ELECTRONIC TECHNOLOGIES, LLC AND SHOULD NOT BE USED WITHOUT WRITTEN PERMISSION			
DIMENSION UNITS mm	SCALE 4:1	CURRENT REV DESC: UPDATED THE DRAWING SHEET	
GENERAL TOLERANCES (UNLESS SPECIFIED)		EC NO: 784031	
ANGULAR TOL	$\pm 0.5^\circ$	DRWN: SOURAJ	2024/02/13
4 PLACES	\pm	CHK'D: SCS02	2024/05/21
3 PLACES	\pm	APPR: HTHYAGARAJ	2024/05/22
2 PLACES	± 0.05	INITIAL REVISION:	
1 PLACE	± 0.1	DRWN: SOURAJ	2022/04/11
0 PLACES	\pm	APPR: KPRASAD	2023/12/19
DRAFT WHERE APPLICABLE MUST REMAIN WITHIN DIMENSIONS	THIRD ANGLE PROJECTION	DRAWING	SERIES
		D-SIZE	219259
DOCUMENT NUMBER		MATERIAL NUMBER	CUSTOMER
2192590008-SD		2192590008	GENERAL MARKET
DOC TYPE	DOC PART	REVISION	
PSD	000	A1	
SHEET NUMBER		1 OF 1	