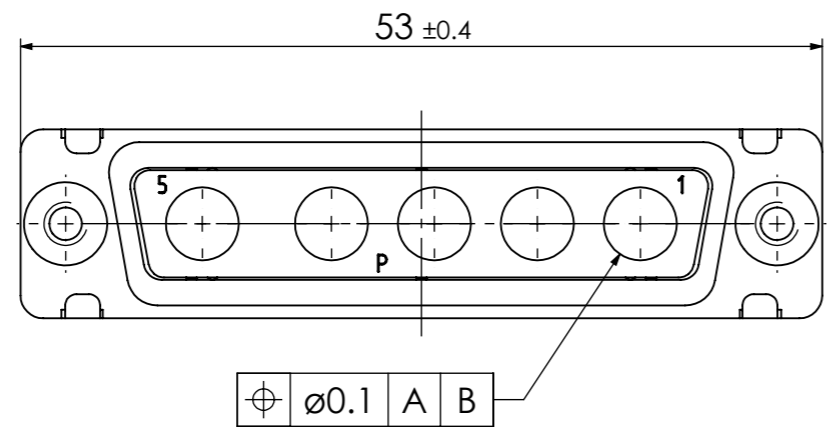
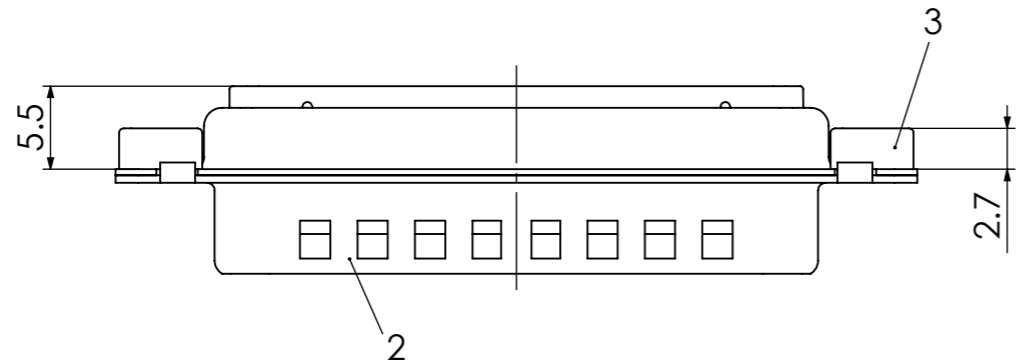
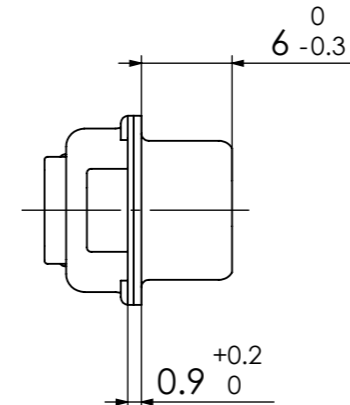
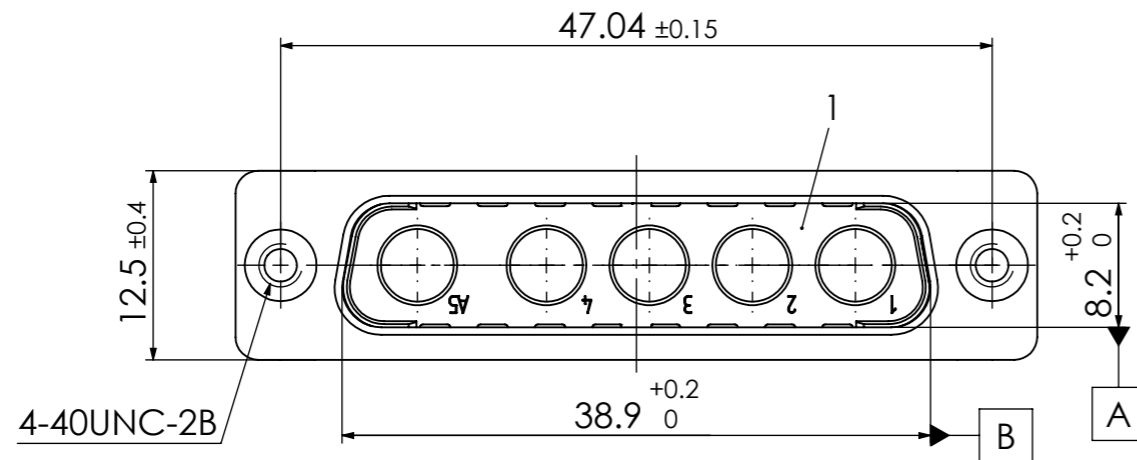
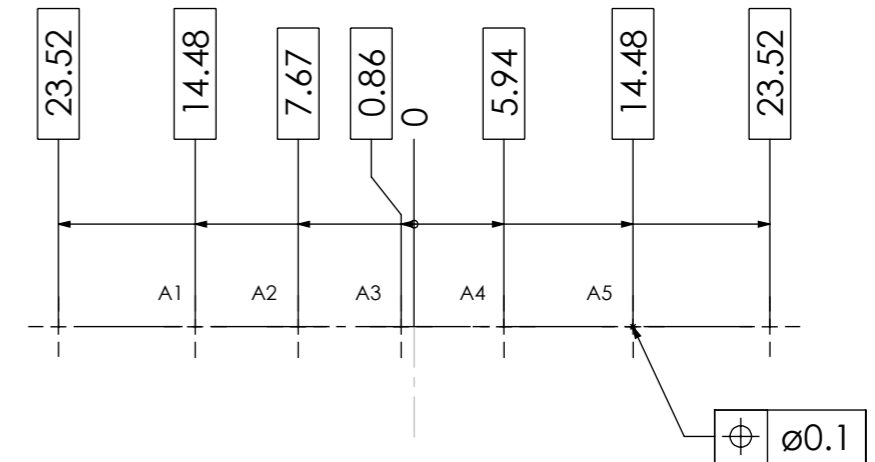


RoHS compliant
by exemption



PCB hole pattern, mounting side



3	2	Clinch nut	FT 4-40 / Steel	tin plated
2	1	Shell	Steel	tin plated
1	1	Insulator	PBT (-55°C to +130°C) acc. UL94V-0	green
No.	St.	Part	Type Description/Material	Surface plating/Colour/Class

FUNCTIONAL SYMBOLS ▽ = 0 ▽ = 0 ▽ = 0					THIS DRAWING CONTAINS INFORMATION THAT IS PROPRIETARY TO MOLEX ELECTRONIC TECHNOLOGIES, LLC AND SHOULD NOT BE USED WITHOUT WRITTEN PERMISSION				
DIMENSION UNITS		SCALE		MEASUREMENTS WITHOUT TOLERANCE ACC. TO		molex FCT D-Sub Mixed-Layout Connector			
mm		2:1		ISO 2768-m					
CURRENT REVISION					PRODUCT CUSTOMER DRAWING				
DRWN: DRAWN BY			msteinbrueck		26-07-2023		MATERIAL NUMBER		REVISION
APPR: APPR BY			mteubel		27-07-2023		1731070159		3
INITIAL REVISION					DOCUMENT NUMBER				
DRWN: DRAWN BY			Denzinger		28-06-2004		FMT5W5P-K120		CUSTOMER
APPR: APPR BY			aschiekofer		28-06-2004		GENERAL MARKET		SHEET NUMBER
REPLACEMENT FOR:					FIRST ANGLE PROJECTION		DRAWING		1 OF 1
1731070159_Rev. A							A3-SIZE		

COMMENT: ALL RIGHTS ARE RESERVED BY US FOR THIS DRAWING. WITHOUT OUR PRIOR CONSENT, IT MAY NEITHER BE DUPLICATED NOR MADE AVAILABLE TO A THIRD PARTY. AND IT ALSO MAY NOT BE IMPROPERLY USED BY THE RECEIVER, OR A THIRD PARTY.