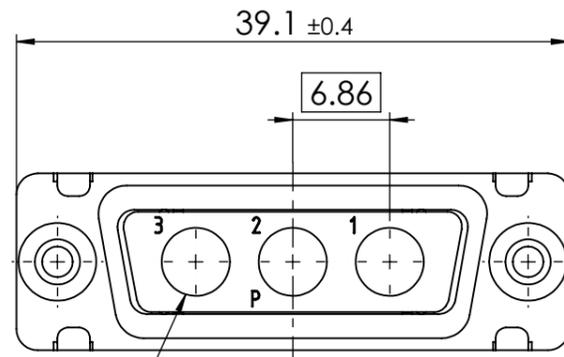
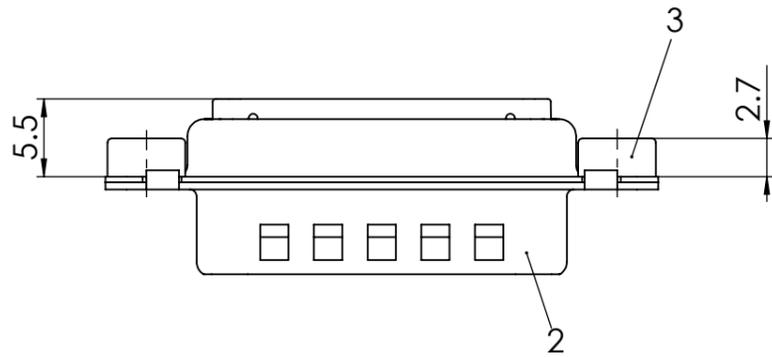
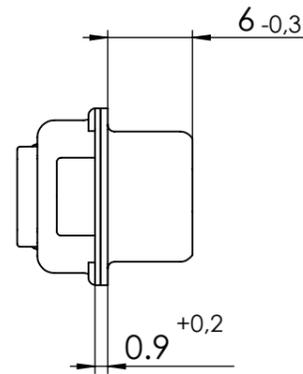
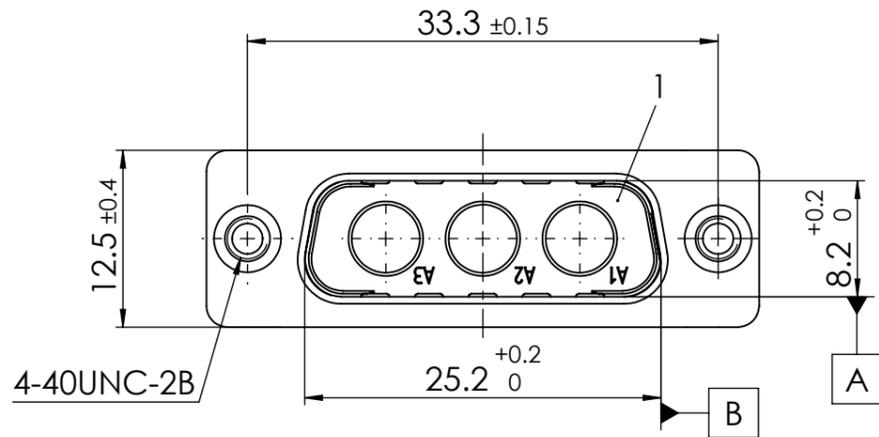


RoHS compliant
by exemption



⊕ ∅0.1 A B

COMMENT: ALL RIGHTS ARE RESERVED BY US FOR THIS DRAWING. WITHOUT OUR PRIOR CONSENT, IT MAY NEITHER BE DUPLICATED NOR MADE AVAILABLE TO A THIRD PARTY. AND IT ALSO MAY NOT BE IMPROPERLY USED BY THE RECEIVER, OR A THIRD PARTY.

3	2	Clinch nut	FT4-40 / Steel	tin plated
2	1	Shell	Steel	tin plated
1	1	Insulator	PBT (-55°C to +130°C) acc. UL94V-0	green
No.	St.	Part	Type Description/Material	Surface plating/Colour/Class

FUNCTIONAL SYMBOLS					THIS DRAWING CONTAINS INFORMATION THAT IS PROPRIETARY TO MOLEX ELECTRONIC TECHNOLOGIES, LLC AND SHOULD NOT BE USED WITHOUT WRITTEN PERMISSION				
▽ = 0	mm	SCALE	2:1	MEASUREMENTS WITHOUT TOLERANCE ACC. TO ISO 2768-m		molex			
▽ = 0				CURRENT REVISION					
▽ = 0				DRWN: DRAWN BY mteubel 20-12-2023		PRODUCT CUSTOMER DRAWING			
				APPR: APPR BY msteinbrueck 02-01-2024		MATERIAL NUMBER			
	2	24410		INITIAL REVISION		1731070157			
	1			DRWN: DRAWN BY Denzinger 19-02-2003		REVISION			
	REV.	CH.-NO.		APPR: APPR BY dittel 19-02-2003		2			
REPLACEMENT FOR:			FRIST ANGLE PROJECTION	DRAWING	DOCUMENT NUMBER	CUSTOMER	SHEET NUMBER		
1731070157_Rev.A1				A3-SIZE	FMT3W3P-K120	GENERAL MARKET	1 OF 1		