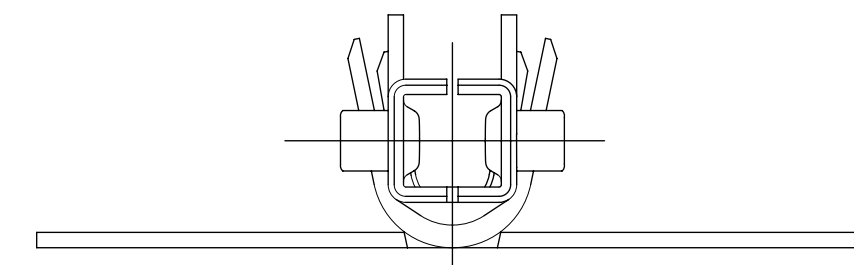


PART LEGEND

172718- * * * *

| | |
|--------------------------|-----------------------------|
| SERIES | FORM |
| WIRE GAGE (INS OD RANGE) | 1 = CHAIN/UNLUBED |
| 1 = 16 (Ø1.98-2.55) | 2 = LOOSE/UNLUBED |
| 2 = 16 (Ø2.55-3.14) | 3 = CHAIN/LUBED |
| 3 = 18-20 (Ø1.42-2.10) | 4 = LOOSE/UNLUBED |
| 4 = 18-20 (Ø2.10-2.85) | MATERIAL |
| 5 = 22-24 (Ø1.07-1.65) | 1 = PHOS BRONZE |
| 6 = 22-24 (Ø1.65-2.38) | 2 = BRASS |
| | PLATING |
| | 1 = HOT TIN DIP (PRE-PLATE) |



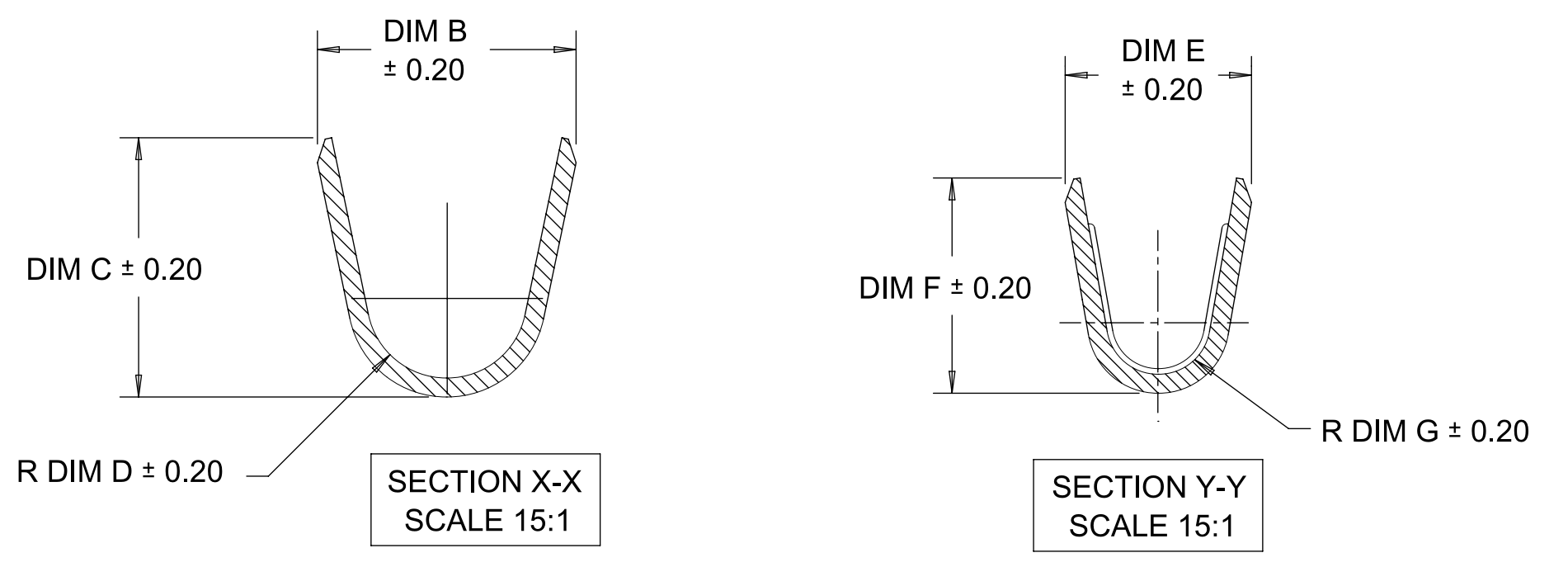
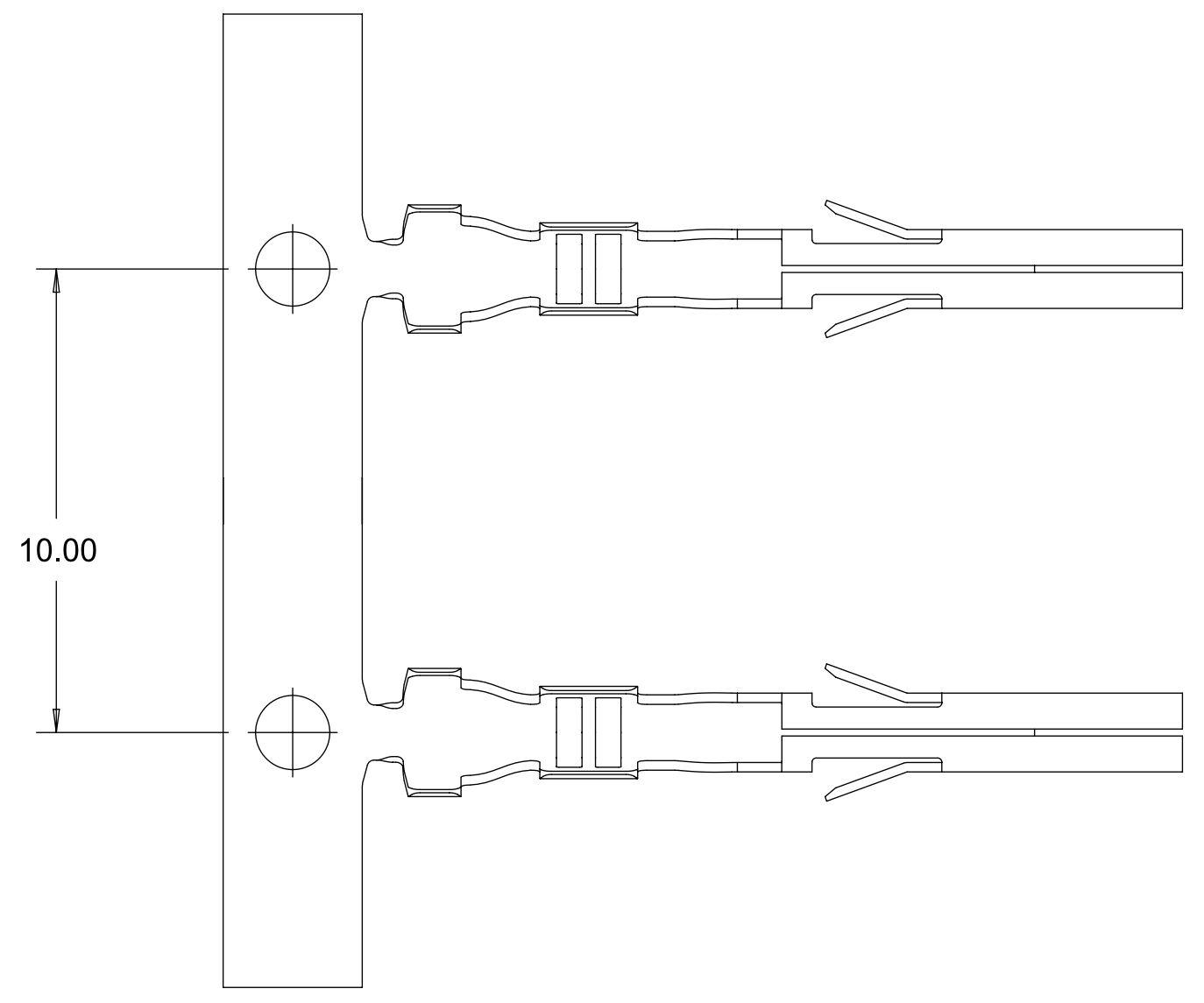
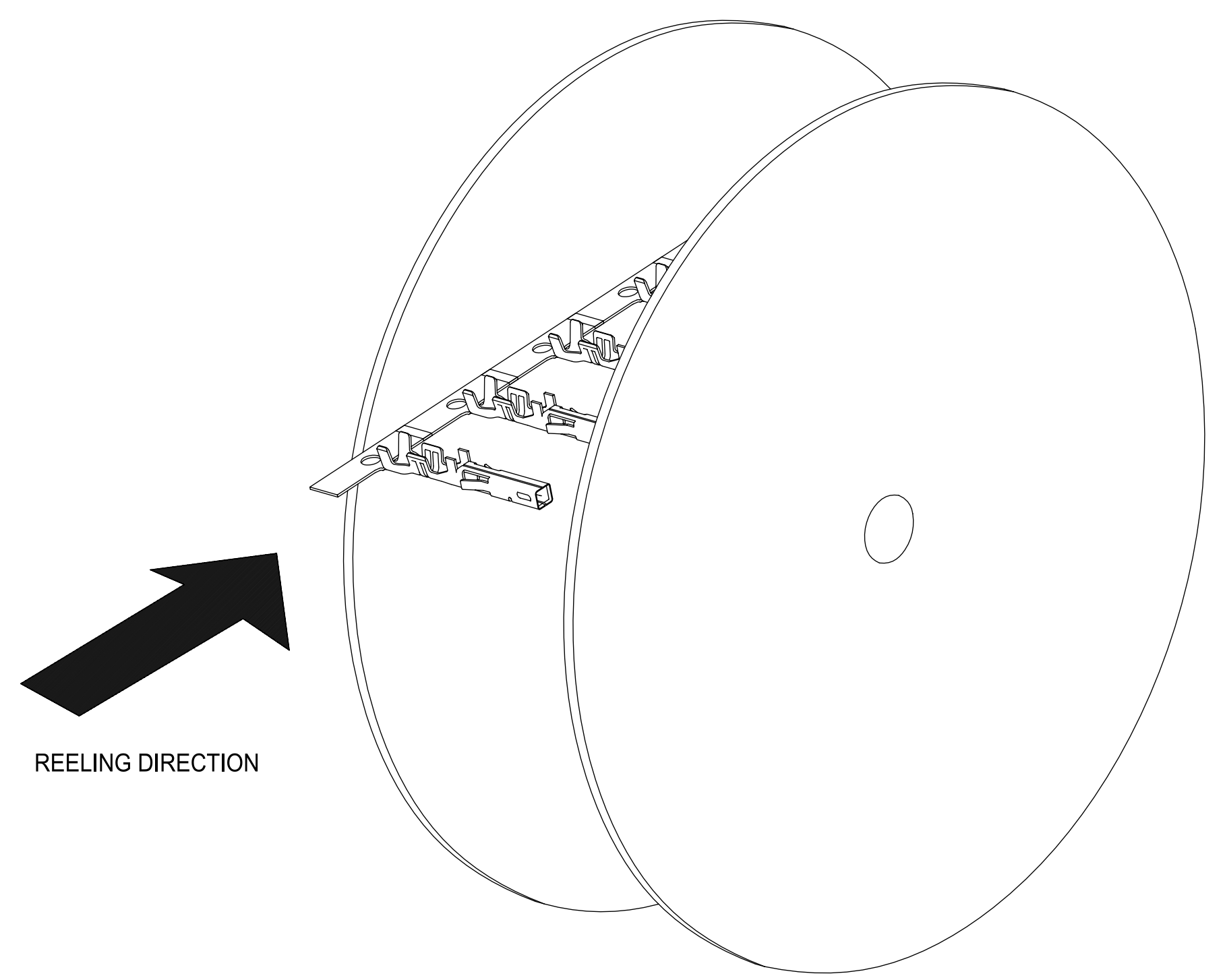
NOTES:

- MATERIALS:
PHOS BRONZE ALLOY
BRASS ALLOY
- PRE-PLATED: HOT TIN DIP, OVERALL 2.5µm MIN. TIN.
- PRODUCT SPECIFICATION: PS-172718-0000
APPLICATION SPECIFICATION: AS-172718-0000
- THIS TERMINAL TO BE USED WITH HOUSING SERIES 172708.
- THIS TERMINAL MATES WITH MALE CRIMP TERMINAL SERIES 5558, 46012 & 172765.
- THIS TERMINAL MATES WITH HEADER SERIES 5566 & 5569.
- PACKAGING: REELS TO BE PACKED PER PK-172718-0000
LOOSE TERMINALS PER PK-172718-0001.
- PART CONFORMS TO CLASS 'B' REQUIREMENTS OF COSMETIC SPEC PS-45499-002.
- WHEN TERMINALS ARE INSTALLED IN THE HOUSING THE WIRE ARE TO BE DRESSED IN SUCH A MANNER TO ALLOW THE TERMINALS TO FLOAT FREELY IN THE HOUSING POCKET.
- THIS TERMINALS IS DESIGNED FOR SINGLE WIRE CRIMPING.
- LUBRICANT ADDED TO CONTACT INTERFACE

THIS DRAWING CONTAINS INFORMATION THAT IS PROPRIETARY TO MOLEX ELECTRONIC TECHNOLOGIES, LLC AND SHOULD NOT BE USED WITHOUT WRITTEN PERMISSION

| | | | | | | | | |
|--|-------|------------------------|--|-----------------|----------------|----------|----------|----------|
| DIMENSION UNITS | SCALE | CURRENT REV DESC: | molex | | | | | |
| mm | NTS | | | | | | | |
| GENERAL TOLERANCES (UNLESS SPECIFIED) | | | CRIMP TERMINAL RECEPTACLE MINI-FIT TPA2 AND SIGMA | | | | | |
| ANGULAR TOL | ± ° | EC NO: 756815 | PRODUCT CUSTOMER DRAWING | | | | | |
| 4 PLACES | ± | DRWN: JERRYW8 | 2023/07/17 | DOCUMENT NUMBER | | DOC TYPE | DOC PART | REVISION |
| 3 PLACES | ± | CHK'D: XQZHANG | 2023/07/17 | SD-172718-0000 | | PSD | 000 | D8 |
| 2 PLACES | ± 0.2 | APPR: XQZHANG | 2023/07/17 | MATERIAL NUMBER | | CUSTOMER | | |
| 1 PLACE | ± 0.2 | INITIAL REVISION: | 2014/09/09 | | GENERAL MARKET | | | |
| 0 PLACES | ± | DRWN: TGREGORI | 2014/09/24 | | SHEET NUMBER | | | |
| DRAFT WHERE APPLICABLE MUST REMAIN WITHIN DIMENSIONS | | THIRD ANGLE PROJECTION | DRAWING | SERIES | 172718 | | | |
| | | | C-SIZE | 1 OF 2 | | | | |

| | MOLEX PART NUMBER | BASE MAT'L | WIRE AWG | COMBINATIO N WIRE AWG | WIRE OD RANGE | DIM B | DIM C | DIM D | DIM E | DIM F | DIM G | | |
|-------------|-------------------|-------------|-------------|-----------------------|---------------|-----------|-----------|-------|-------|-------|-------|------|------|
| CHAIN | 172718-1111 | PHOS BOONZE | 16 | NA | 1.98-2.55 | 3.27 | 3.43 | 1.00 | 2.35 | 2.90 | 0.70 | | |
| | 172718-2111 | | | NA | 2.55-3.14 | 3.74 | 3.66 | 1.43 | | | | | |
| | 172718-3111 | | 18-20 | NA | 1.42-2.10 | 2.77 | 2.77 | 0.85 | 2.00 | 2.30 | 0.55 | | |
| | 172718-4111 | | | 22+22 AWG | 2.10-2.85 | 3.36 | 3.37 | 1.25 | | | | | |
| | 172718-5111 | | 22-24 | NA | 1.07-1.65 | 2.33 | 2.27 | 0.70 | 1.68 | 1.65 | 0.40 | | |
| | 172718-6111 | | | NA | 1.65-2.38 | 3.14 | 3.09 | 1.00 | | | | | |
| | LOOSE | | 172718-1121 | BRASS | 16 | NA | 1.98-2.55 | 3.27 | 3.43 | 1.00 | 2.35 | 2.90 | 0.70 |
| | | | 172718-2121 | | | NA | 2.55-3.14 | 3.74 | 3.66 | 1.43 | | | |
| | | | 172718-3121 | | 18-20 | NA | 1.42-2.10 | 2.77 | 2.77 | 0.85 | 2.00 | 2.30 | 0.55 |
| | | | 172718-4121 | | | 22+22 AWG | 2.10-2.85 | 3.36 | 3.37 | 1.25 | | | |
| 172718-5121 | | 22-24 | NA | | 1.07-1.65 | 2.33 | 2.27 | 0.70 | 1.68 | 1.65 | 0.40 | | |
| 172718-5123 | | | NA | | 1.07-1.65 | 2.33 | 2.27 | 0.70 | | | | | |
| 172718-6121 | | 22-24 | NA | | 1.65-2.38 | 3.14 | 3.09 | 1.00 | 1.68 | 1.65 | 0.40 | | |
| 172718-1112 | | | NA | | 1.98-2.55 | 3.27 | 3.43 | 1.00 | | | | | |
| LOOSE | | 172718-2112 | PHOS BRONZE | | 16 | NA | 2.55-3.14 | 3.74 | 3.66 | 1.43 | 2.35 | 2.90 | 0.70 |
| | | 172718-3112 | | | | NA | 1.42-2.10 | 2.77 | 2.77 | 0.85 | | | |
| | 172718-4112 | 18-20 | | NA | 2.10-2.85 | 3.36 | 3.37 | 1.25 | 2.00 | 2.30 | 0.55 | | |
| | 172718-5112 | | | NA | 1.07-1.65 | 2.33 | 2.27 | 0.70 | | | | | |
| | 172718-6112 | 22-24 | | NA | 1.65-2.38 | 3.14 | 3.09 | 1.00 | 1.68 | 1.65 | 0.40 | | |
| | 172718-1122 | | | NA | 1.98-2.55 | 3.27 | 3.43 | 1.00 | | | | | |
| | LOOSE | 172718-2122 | | BRASS | 16 | NA | 2.55-3.14 | 3.74 | 3.66 | 1.43 | 2.35 | 2.90 | 0.70 |
| | | 172718-3122 | | | | NA | 1.42-2.10 | 2.77 | 2.77 | 0.85 | | | |
| | | 172718-4122 | | | 18-20 | NA | 2.10-2.85 | 3.36 | 3.37 | 1.25 | 2.00 | 2.30 | 0.55 |
| | | 172718-5122 | | | | NA | 1.07-1.65 | 2.33 | 2.27 | 0.70 | | | |
| 172718-6122 | | 22-24 | NA | | 1.65-2.38 | 3.14 | 3.09 | 1.00 | 1.68 | 1.65 | 0.40 | | |



| | | | | | | | | | | | |
|---|--|-------|--|---------------------------|--|---------|--|---|--|--------------|--|
| THIS DRAWING CONTAINS INFORMATION THAT IS PROPRIETARY TO MOLEX ELECTRONIC TECHNOLOGIES, LLC AND SHOULD NOT BE USED WITHOUT WRITTEN PERMISSION | | | | | | | | | | | |
| DIMENSION UNITS | | SCALE | | CURRENT REV DESC: | | | | | | | |
| mm | | NTS | | | | | | | | | |
| GENERAL TOLERANCES (UNLESS SPECIFIED) | | | | EC NO: 756815 | | | | CRIMP TERMINAL RECEPTACLE MINI-FIT TPA2 AND SIGMA | | | |
| ANGULAR TOL ± ° | | | | DRWN: JERRYW8 2023/07/17 | | | | | | | |
| 4 PLACES ± | | | | CHK'D: XQZHANG 2023/07/17 | | | | PRODUCT CUSTOMER DRAWING | | | |
| 3 PLACES ± | | | | APPR: XQZHANG 2023/07/17 | | | | | | | |
| 2 PLACES ± 0.2 | | | | INITIAL REVISION: | | | | DOCUMENT NUMBER: SD-172718-0000 DOC TYPE: PSD DOC PART: 000 REVISION: D8 | | | |
| 1 PLACE ± 0.2 | | | | DRWN: TGREGORI 2014/09/09 | | | | | | | |
| 0 PLACES ± | | | | APPR: TGREGORI 2014/09/24 | | | | | | | |
| DRAFT WHERE APPLICABLE MUST REMAIN WITHIN DIMENSIONS | | | | THIRD ANGLE PROJECTION | | DRAWING | | SERIES | | SHEET NUMBER | |
| | | | | | | C-SIZE | | 172718 | | 2 OF 2 | |