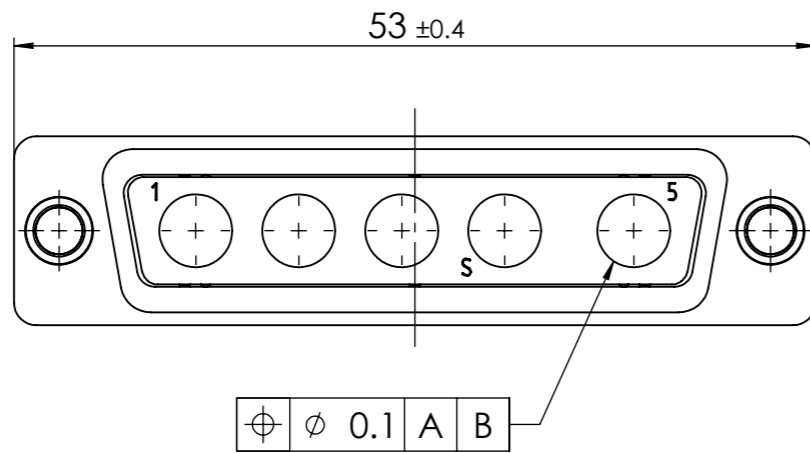
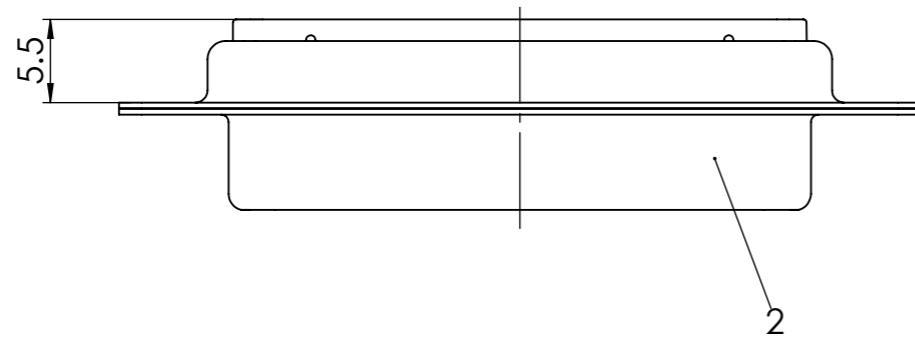
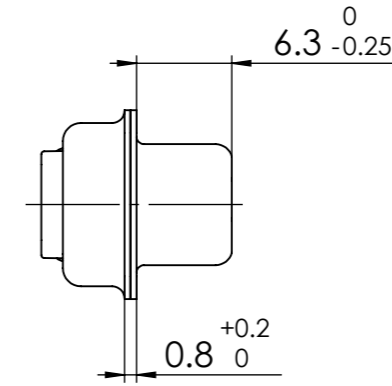
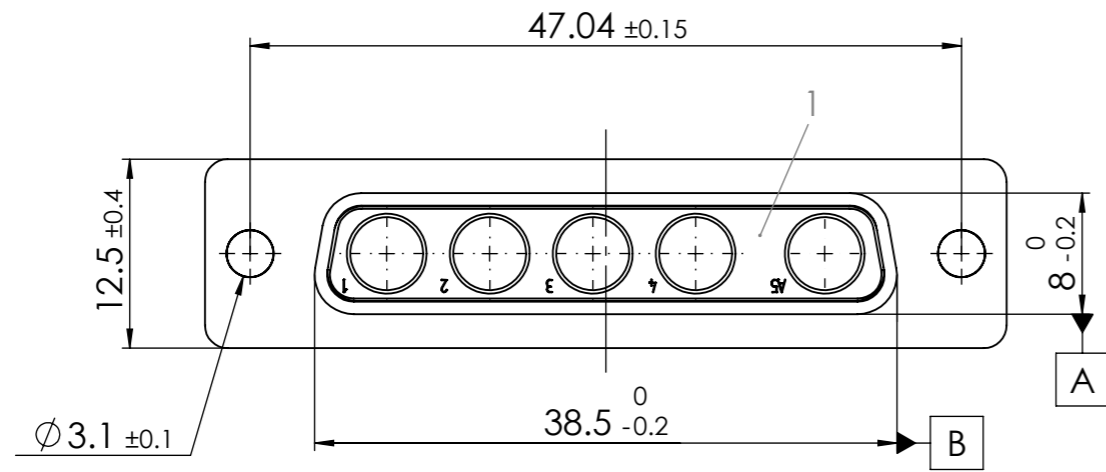
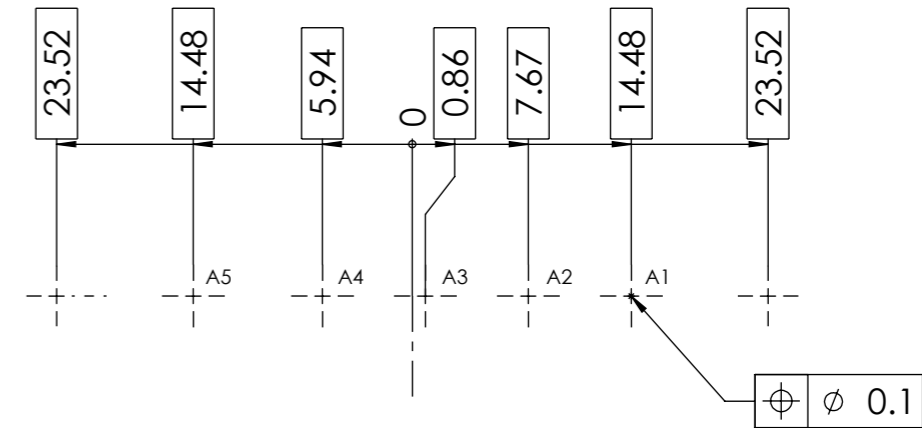


RoHS compliant



PCB hole pattern, mounting side



No.	St.	Part	Type Description/Material	Surface plating/Colour/Class
2	1	Shell	Steel	tin plated
1	1	Insulator	PBT (-55°C to + 130°C) acc. UL94V-0	green

FUNCTIONAL SYMBOLS					THIS DRAWING CONTAINS INFORMATION THAT IS PROPRIETARY TO MOLEX ELECTRONIC TECHNOLOGIES, LLC AND SHOULD NOT BE USED WITHOUT WRITTEN PERMISSION					
▽ = 0	mm	SCALE	2:1	MEASUREMENTS WITHOUT TOLERANCE ACC. TO ISO 2768-m	<div style="text-align: center;"><b>molex</b></div> <b>FCT D-Sub Mixed-Layout Connector</b>					
▽ = 0										
▽ = 0					CURRENT REVISION					
					DRWN: DRAWN BY	msteinbrueck	26-07-2023			
					APPR: APPR BY	mteubel	26-07-2023			
					INITIAL REVISION					
					DRWN: DRAWN BY	Denzinger	13-03-2003			
					APPR: APPR BY	dittel	13-03-2003			
					REPLACEMENT FOR:	FRIST ANGLE PROJECTION	DRAWING	DOCUMENT NUMBER	CUSTOMER	SHEET NUMBER
					1727040034_Rev. A		A3-SIZE	FM5W5S-K121	GENERAL MARKET	1 OF 1

COMMENT: ALL RIGHTS ARE RESERVED BY US FOR THIS DRAWING. WITHOUT OUR PRIOR CONSENT, IT MAY NEITHER BE DUPLICATED NOR MADE AVAILABLE TO A THIRD PARTY. AND IT ALSO MAY NOT BE IMPROPERLY USED BY THE RECEIVER, OR A THIRD PARTY.