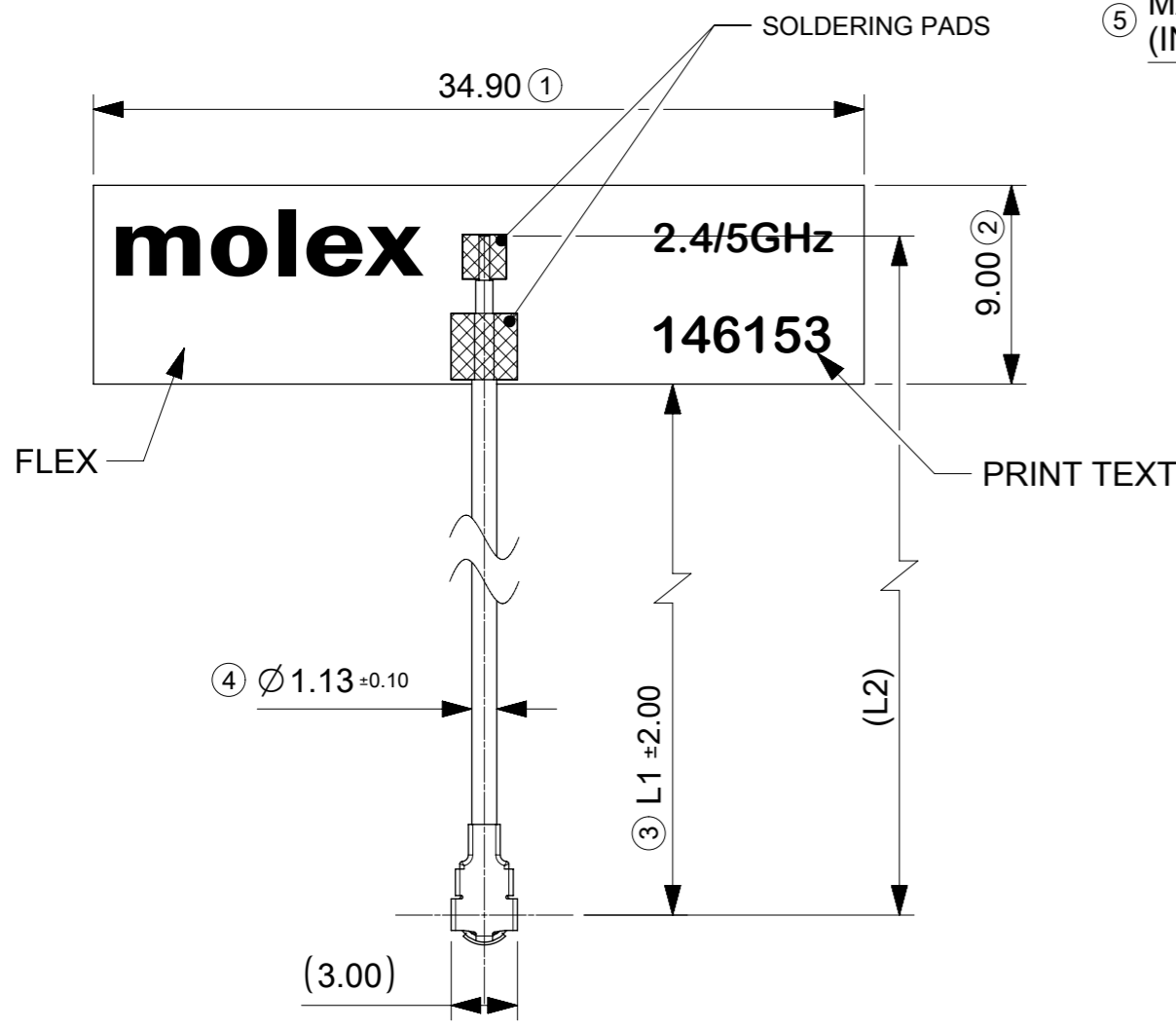
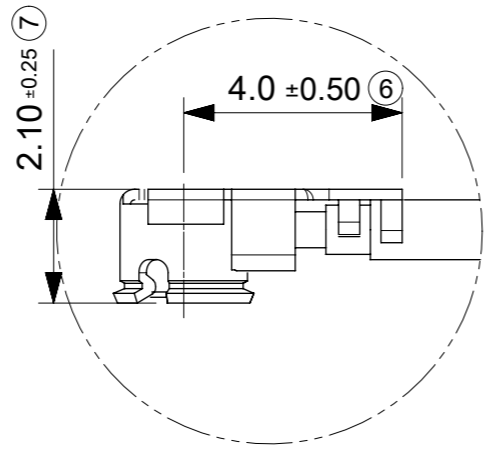
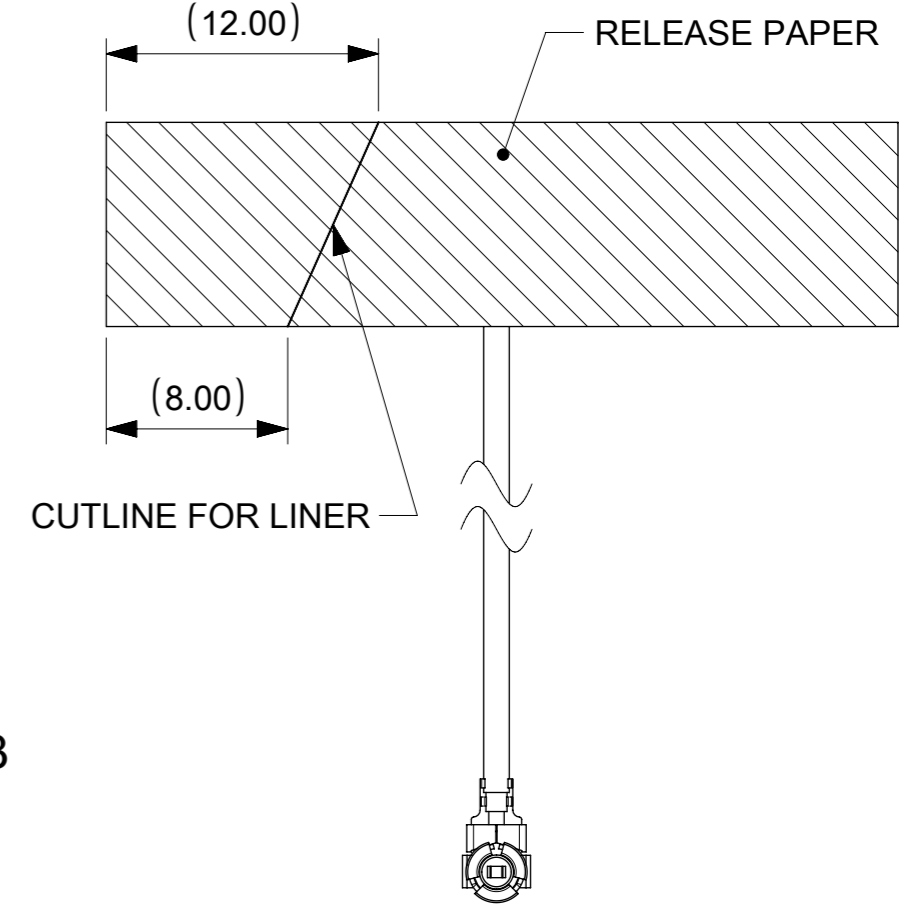


REV	DATE	DESCRIPTION
A	2022/05/11	NEW RELEASE
A1	2023/11/09	OBSOLETE P/N 1461539250



(5) MAX 2.00 mm WITH SOLDER PASTE (INCLUDE FLEX)
 (0.23) FLEX THICKNESS



- NOTES:
- MATERIAL:
 FLEX SIZE: 34.9*9mm.
 FLEX SOLDER MASK BLACK IN COLOR.
 PRINT TEXT WHITE IN COLOR.
 CABLE: Ø1.13MM, BLACK IN COLOR.
 CONNECTOR: MHF-1 PLUG AU TYPE (P/N: 20278-112R-13).
 ADHESIVE: 3M9077.
 - THE CONNECTOR WILL BE PROTECTED WITH A CAP.
 - FOR PULL TEST, CAN NOT LIFT UP IN THE VERTICAL DIRECTION.
 - APPLICATION SPEC PLEASE REFER TO AS OF AS-146153-100.
 - PRODUCT SPEC PLEASE REFER TO PS OF PS-1461539100.

ITEM	MATERIAL NO.	CABLE LENGTH"L1"	CABLE LENGTH"L2"
1	1461539050	43.3 mm	50 mm
2	1461539100	93.3 mm	100 mm
3	1461539150	143.3 mm	150 mm
4	1461539200	193.3 mm	200 mm
5	1461539300	293.3 mm	300 mm

THIS DRAWING CONTAINS INFORMATION THAT IS PROPRIETARY TO MOLEX ELECTRONIC TECHNOLOGIES, LLC AND SHOULD NOT BE USED WITHOUT WRITTEN PERMISSION

DIMENSION UNITS mm	SCALE 3:1	CURRENT REV DESC: REMOVED OBSOLETE PART NUMBERS AS PER PCN#514494	molex		
GENERAL TOLERANCES (UNLESS SPECIFIED)					
ANGULAR TOL	± 2.0 °	EC NO: 770993	PRODUCT CUSTOMER DRAWING		
4 PLACES	±	DRWN: MADHAM5 2023/11/09	DOCUMENT NUMBER		
3 PLACES	± 0.2	CHK'D: GGA 2023/12/25	1461539100		
2 PLACES	± 0.25	APPR: GGA 2023/12/25	DOC TYPE	DOC PART	REVISION
1 PLACE	± 0.3	INITIAL REVISION:	PSD	000	A1
0 PLACES	± 0.5	DRWN: KCHENG06 2022/05/11	MATERIAL NUMBER		
DRAFT WHERE APPLICABLE MUST REMAIN WITHIN DIMENSIONS		APPR: HORACM1 2022/05/13	CUSTOMER	SHEET NUMBER	
THIRD ANGLE PROJECTION		DRAWING	SERIES	MATERIAL NUMBER	CUSTOMER
A3-SIZE		146153	SEE TABLE	GENERAL MARKET	1 OF 1