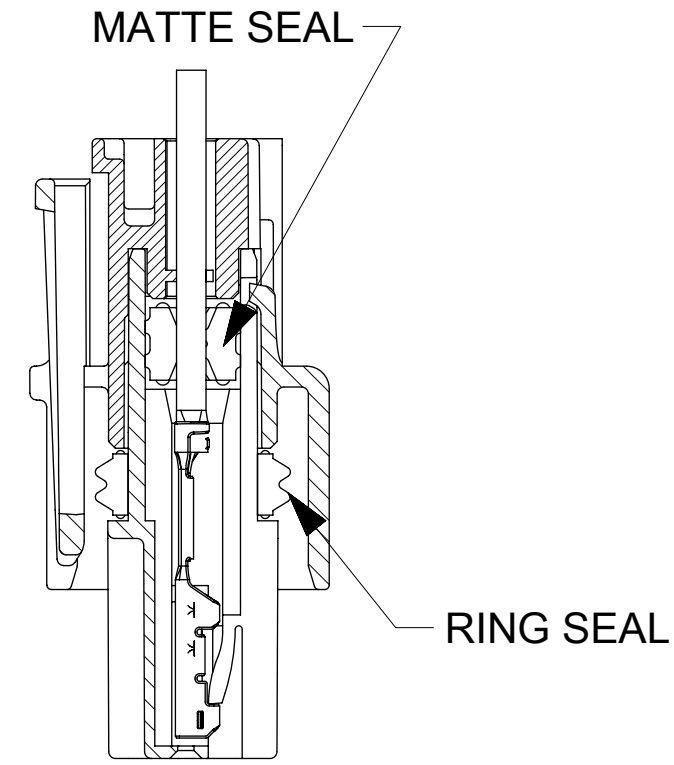
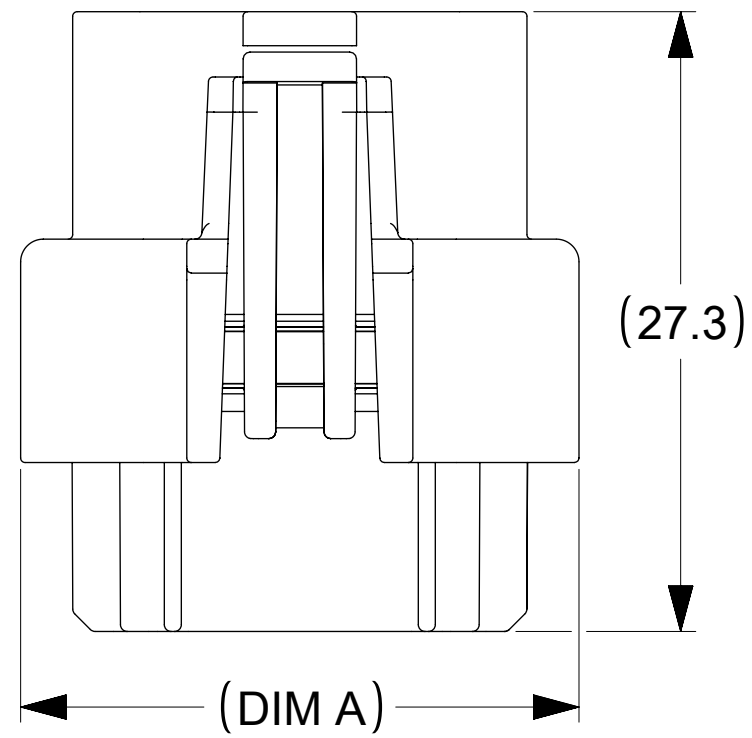
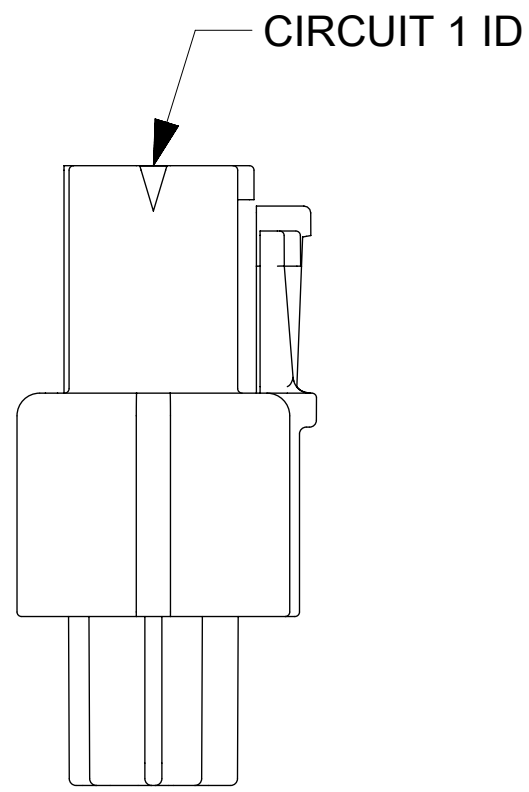
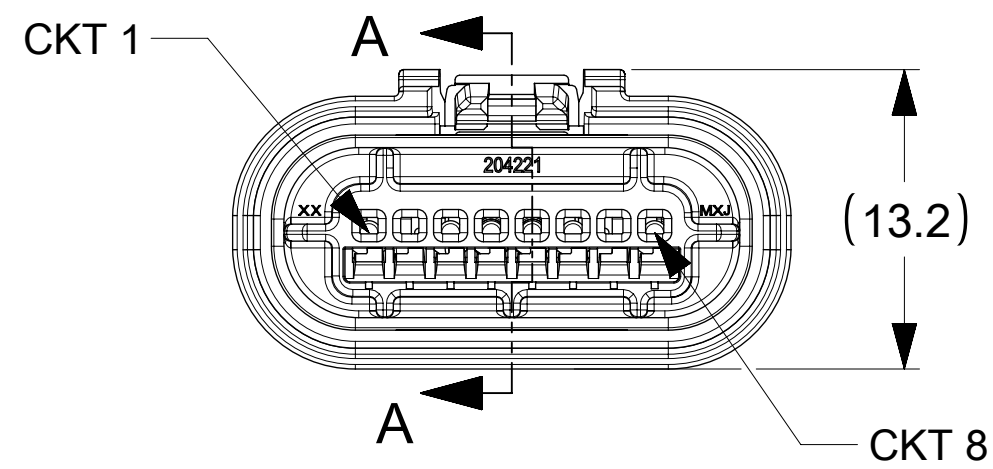


NOTES:

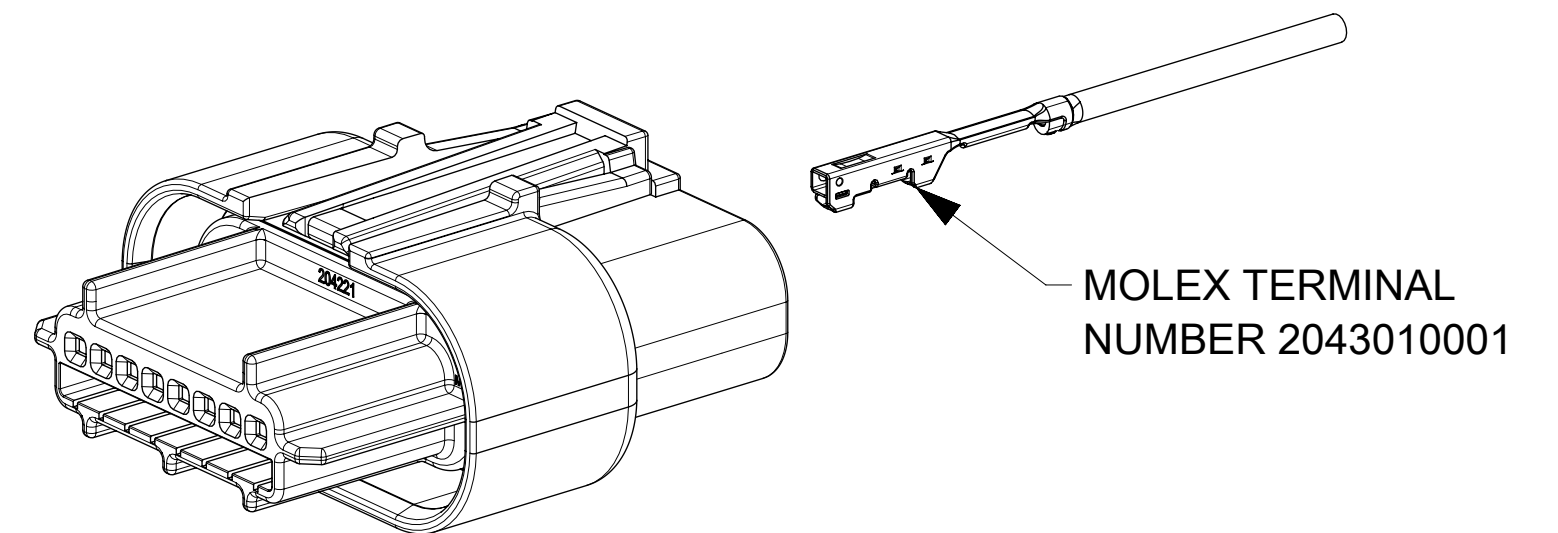
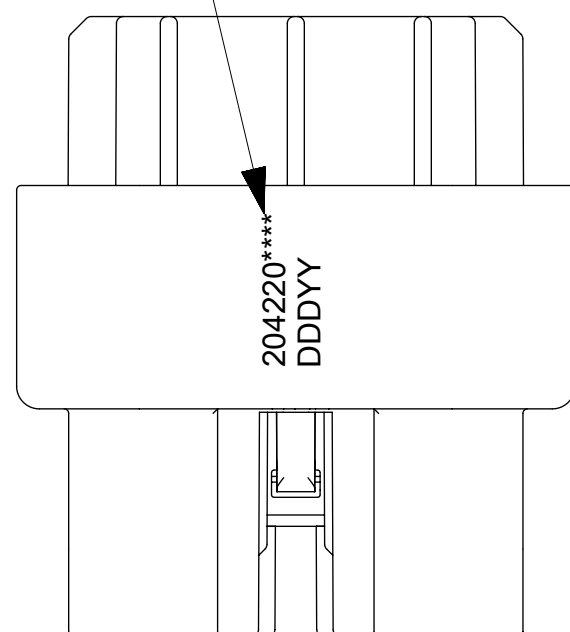
- MATERIAL:
HOUSING & REAR SEAL CAP: NYLON, UL94V-0, COLOR: BLACK
SEALS: INHERENTLY LUBRICATED SILICONE
- FINISH: NONE
- PRODUCT SPECIFICATION: 2042200000-PS
- APPLICATION SPECIFICATION: 2042200000-AS
- PACKAGING SPECIFICATION: 2042200000-PK
- PART MATES WITH PLUG SERIES 204223.
- PART USES TERMINAL PART NUMBER 2043010001.
- PART CONFORMS TO COSMETIC SPEC: PS-45499-002 CLASS C
- VOIDED CIRCUITS HAVE A PLUG IN THE MATTE SEAL TO SEAL THE CIRCUIT AND WILL NOT ACCEPT TERMINALS.



SECTION A-A
TERMINAL SHOWN INSERTED
INTO HOUSING



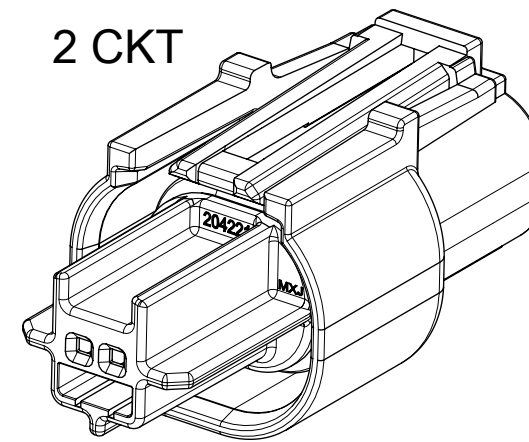
LASER MARK THIS SURFACE
MOLEX PART NUMBER AND
JULIAN DATE CODE: DDDYY



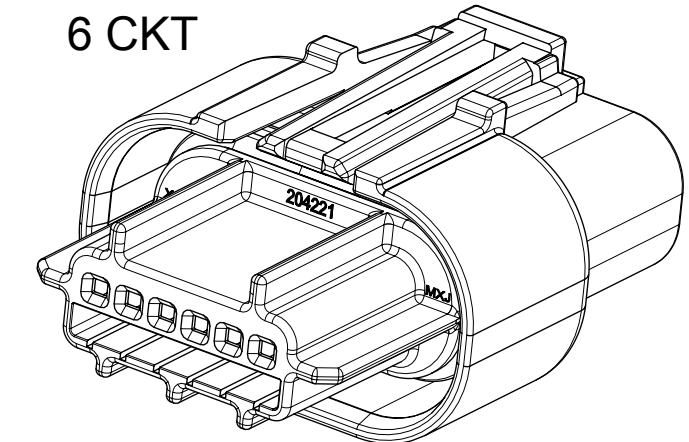
CIRCUIT SIZE	DIM A
2	13.8
4	17.4
6	21.0
8	24.6
10	28.2

FUNCTIONAL SYMBOLS $\nabla_A = 0$ $\nabla_C = 0$ $\nabla_P = 0$	THIS DRAWING CONTAINS INFORMATION THAT IS PROPRIETARY TO MOLEX ELECTRONIC TECHNOLOGIES, LLC AND SHOULD NOT BE USED WITHOUT WRITTEN PERMISSION		CURRENT REV DESC: ADD -9808, -9708, AND -9608		
	DIMENSION UNITS	SCALE	EC NO: 646267		
	mm	3:1	DRWN: MKIPPER 2020/08/26		
	GENERAL TOLERANCES (UNLESS SPECIFIED)		CHK'D: DSTEIER 2020/10/01		
DIVISIONAL SYMBOLS $\nabla_{A/P} = 0$ $\nabla_{C/P} = 0$ $\nabla_{P/P} = 0$	ANGULAR TOL \pm °		APPR: FSMITH 2020/10/05		RECEPTACLE ASSEMBLY SQUBA 1.8 PRODUCT CUSTOMER DRAWING
	4 PLACES \pm		INITIAL REVISION:		
	3 PLACES \pm		DRWN: TGREGORI 2017/04/26		
	2 PLACES ± 0.2		APPR: RHODGE 2018/01/26		
1 PLACE \pm		DRAFT WHERE APPLICABLE MUST REMAIN WITHIN DIMENSIONS		DOCUMENT NUMBER 2042200000-SD	
0 PLACES \pm		THIRD ANGLE PROJECTION	DRAWING	SERIES	DOC TYPE DOC PART REVISION PSD 000 A7
			C-SIZE	204220	MATERIAL NUMBER CUSTOMER SHEET NUMBER SEE CHART GENERAL MARKET 1 OF 2

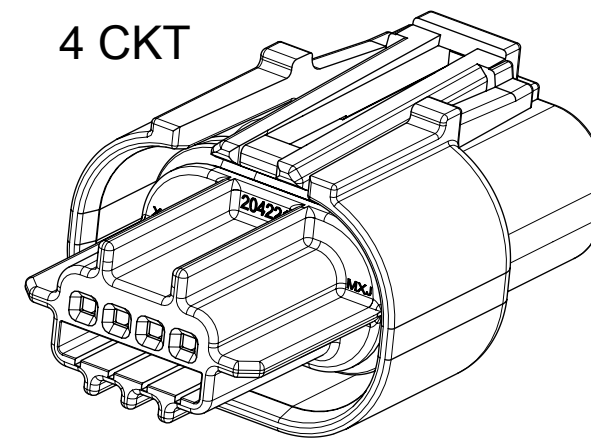
CIRCUIT SIZE	MATERIAL NUMBER	VOIDED CIRCUIT SEE NOTE 9
2	204220-0002	NONE
4	204220-0004	NONE
6	204220-0006	NONE
8	204220-0008	NONE
10	204220-0010	NONE
2	204220-9902	ALL CIRCUITS VOIDED
4	204220-9904	ALL CIRCUITS VOIDED
6	204220-9906	ALL CIRCUITS VOIDED
8	204220-9908	ALL CIRCUITS VOIDED
10	204220-9910	ALL CIRCUITS VOIDED
4	204220-4004	4
6	204220-6006	6
8	204220-8008	8
10	204220-1110	10
8	204220-9808	1,2,5,6
8	204220-9708	5
8	204220-9608	3,6



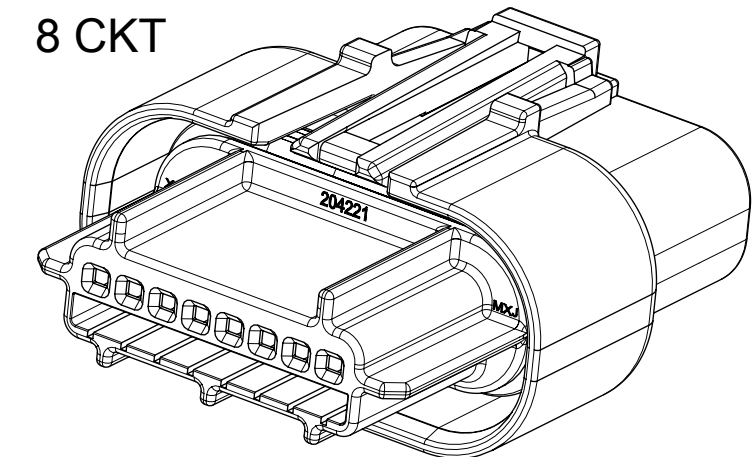
2 CKT



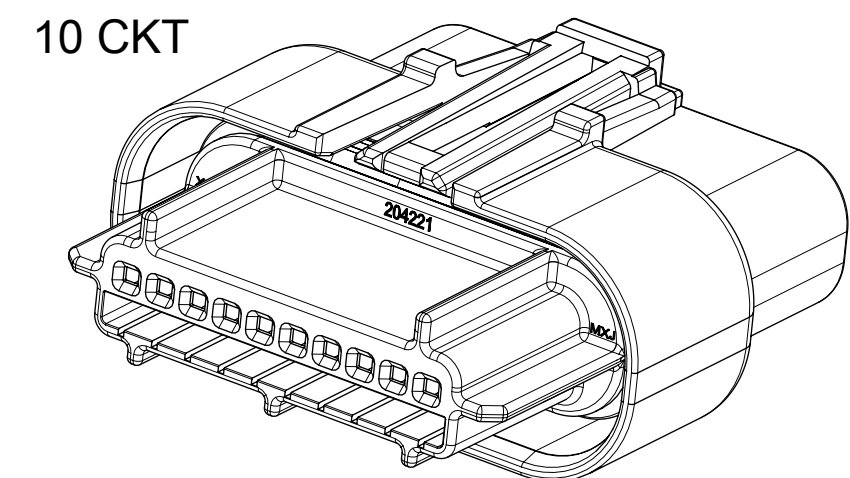
6 CKT



4 CKT

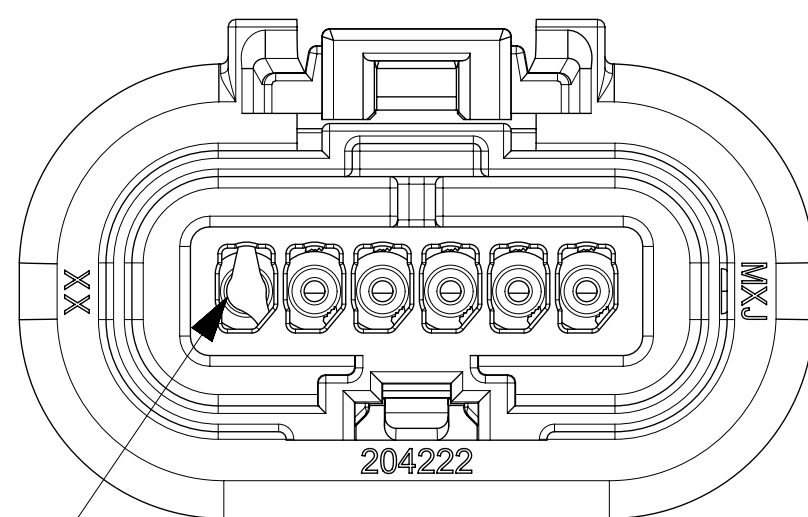


8 CKT



10 CKT

AVAILABLE CIRCUIT SIZES



VOIDED CIRCUIT(S)
HAVE PLUG(S) PRESENT
SEE NOTE 9

FUNCTIONAL SYMBOLS	THIS DRAWING CONTAINS INFORMATION THAT IS PROPRIETARY TO MOLEX ELECTRONIC TECHNOLOGIES, LLC AND SHOULD NOT BE USED WITHOUT WRITTEN PERMISSION									
$\nabla_A = 0$ $\nabla_C = 0$ $\nabla_P = 0$	DIMENSION UNITS	SCALE	CURRENT REV DESC: ADD -9808, -9708, AND -9608							
	mm	3:1	molex RECEPTACLE ASSEMBLY SQUBA 1.8							
	GENERAL TOLERANCES (UNLESS SPECIFIED)									
	ANGULAR TOL	± °	EC NO: 646267 DRWN: MKIPPER CHK'D: DSTEIER APPR: FSMITH 2020/08/26 2020/10/01 2020/10/05							
DIVISIONAL SYMBOLS	4 PLACES	±	PRODUCT CUSTOMER DRAWING							
	3 PLACES	±	INITIAL REVISION:							
	2 PLACES	± 0.2	DRWN: TGREGORI 2017/04/26							
	1 PLACE	±	APPR: RHODGE 2018/01/26							
	0 PLACES	±	DRAFT WHERE APPLICABLE MUST REMAIN WITHIN DIMENSIONS		THIRD ANGLE PROJECTION	DRAWING	SERIES	MATERIAL NUMBER	CUSTOMER	SHEET NUMBER
						C-SIZE	204220	SEE CHART	GENERAL MARKET	2 OF 2
								2042200000-SD	PSD 000	A7