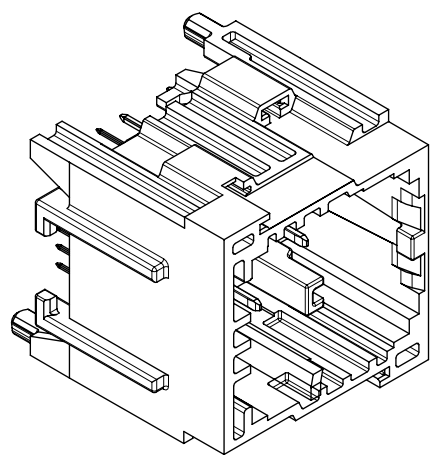


KEY 1  
PART NO. 2005010281

SEE NOTE 3g

PART NUMBER TUBE PACKAGING 2005058100	PART NUMBER TRAY PACKAGING 2005053013-PK	KEY	COLOR	TERMINAL QUANTITIES	
				0.5mm	1.2mm
2005010281	2005011281	1	DARK GRAY	21	7
2005010282	2005011282	2	GREEN		
2005010283	2005011283	3	GRAY		
2005010284	2005011284	4	BLACK		

FOUR (4) KEYS AVAILABLE  
SEE INTERFACE DRAWING  
SD-160014-002 FOR DEFINITION



NOTES: VALID UNLESS OTHERWISE SPECIFIED  
1. GENERAL:  
a. APPLICATION SPECIFICATION 2005060000-AS  
b. PRODUCT SPECIFICATION 2005060001-PS  
CLASSIFICATIONS T1V1S1 TO GMW 3191 2012  
DEGREE OF PROTECTION IP40 TO ISO 20653 WITH MOLEX MATING CONNECTOR  
c. PACKAGING SPECIFICATION PER MOLEX DRAWING

2. DESIGN - MATERIALS:  
a. HOUSING: SPS 30% GF  
b. BLADE TERMINALS:  
1. 0.5MM BLADES  
BASE MATERIAL: COPPER ALLOY  
CONDUCTIVITY ≥ 28% IACS @ 20°C  
UNDERPLATE: OVERALL NICKEL  
OVERPLATE: OVERALL TIN  
2. 1.2MM BLADES  
BASE MATERIAL: COPPER ALLOY  
CONDUCTIVITY ≥ 28% IACS @ 20°C  
UNDERPLATE: OVERALL NICKEL  
OVERPLATE: OVERALL TIN

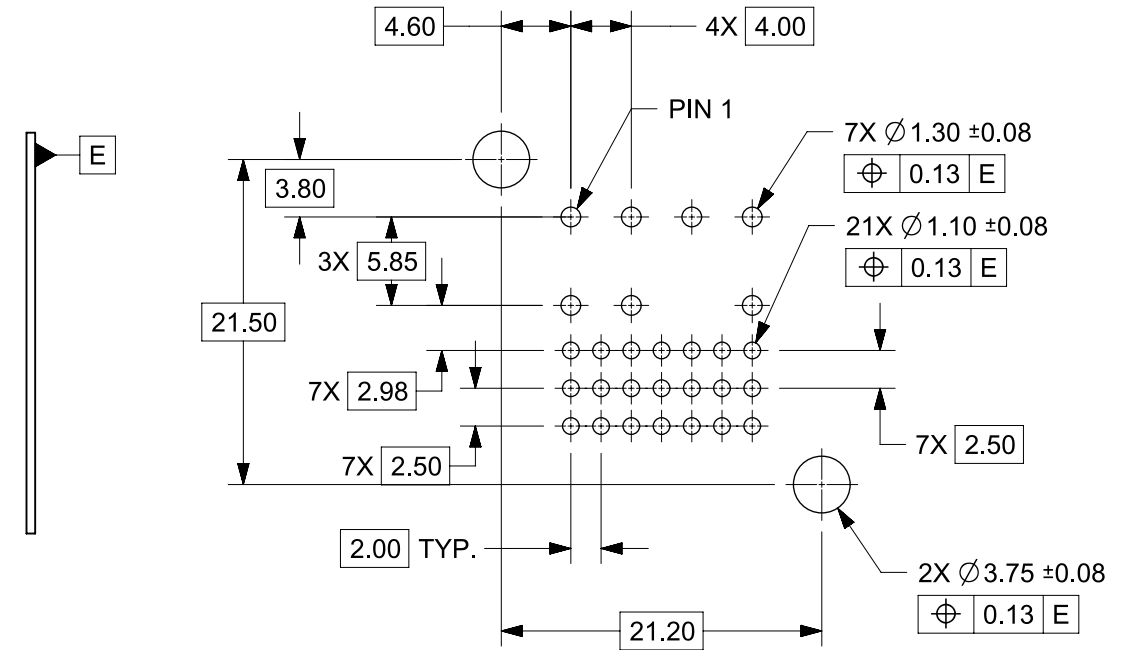
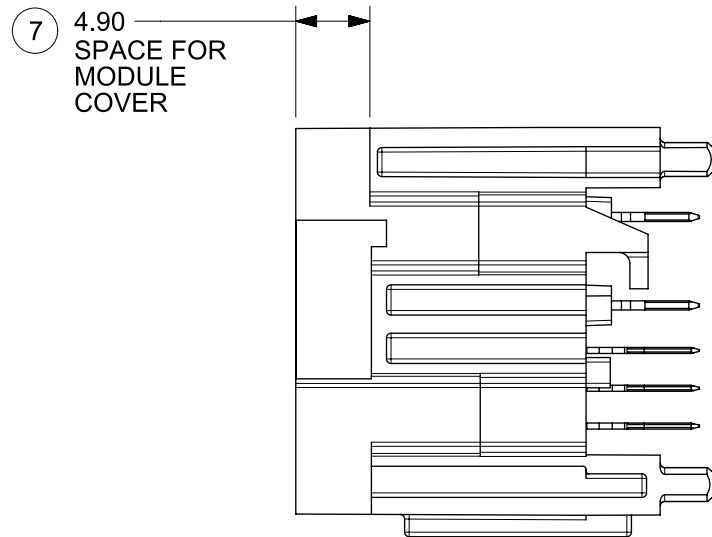
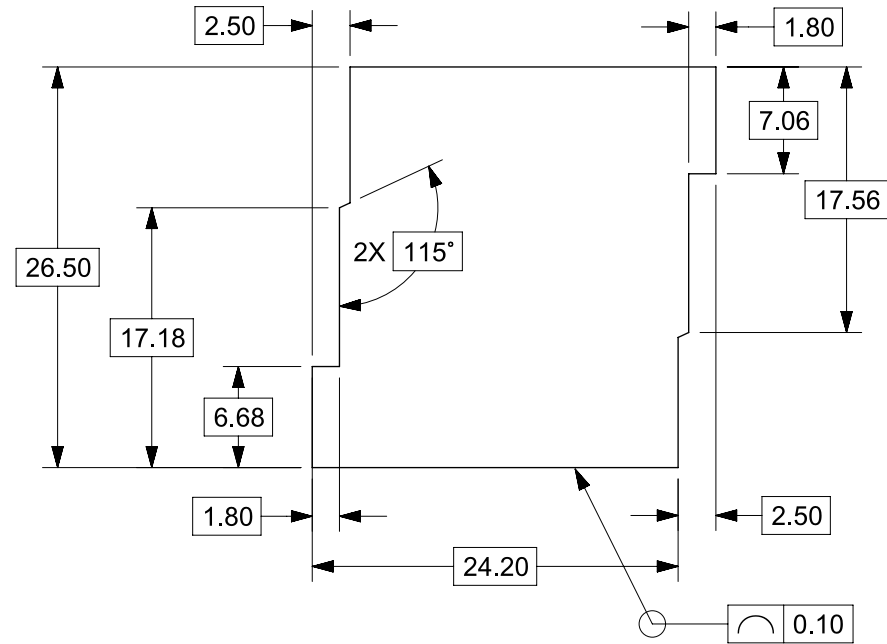
3. DESIGN - GEOMETRY:  
a. ALL GRAPHIC DATA IS BASIC (NO TOLERANCE) AND MUST BE TAKEN FROM THE DATA FILE AT ITS LATEST REVISION.  
b. PRODUCT DESIGN MODEL NUMBER 2005010280  
c. GEOMETRIC DIMENSIONS AND TOLERANCES PER ASME Y14.5-2009  
d. EDGES AND UNDIMENSIONED DETAILS PER ISO13715  
e. CORNERS SHOWN AS SHARP TO BE R 0.4 MAX.  
f. LETTERING SHALL BE MAX POSSIBLE FOR READABILITY.  
THIS INCLUDES RECYCLING CODE, CAVITY ID, VENDOR IDENTIFICATION, AND CUSTOMER MATERIAL NUMBER.  
g. FOR BAY/POCKET DEFINITION SEE MOLEX INTERFACE DRAWING SD-160014-002  
h. MATING HARNESS CONNECTORS MOLEX PN:  
1600140011 (KEY 1)  
1600140012 (KEY 2)  
1600140013 (KEY 3)  
1600140014 (KEY 4)

4. DESIGN - MANUFACTURING:  
a. VISUAL DEFECTS SHALL MEET COSMETIC STANDARD PS-45499-002 (CLASS B)  
b. REFLOW SOLDERABILITY PER SMES-152

INSPECTION BALLOON NUMBER LOG
PER DRAWING REVISION: D1
LAST BALLOON NUMBER: 11B
ADDED BALLOON NUMBER: NONE
DELETED BALLOON NUMBER: NONE

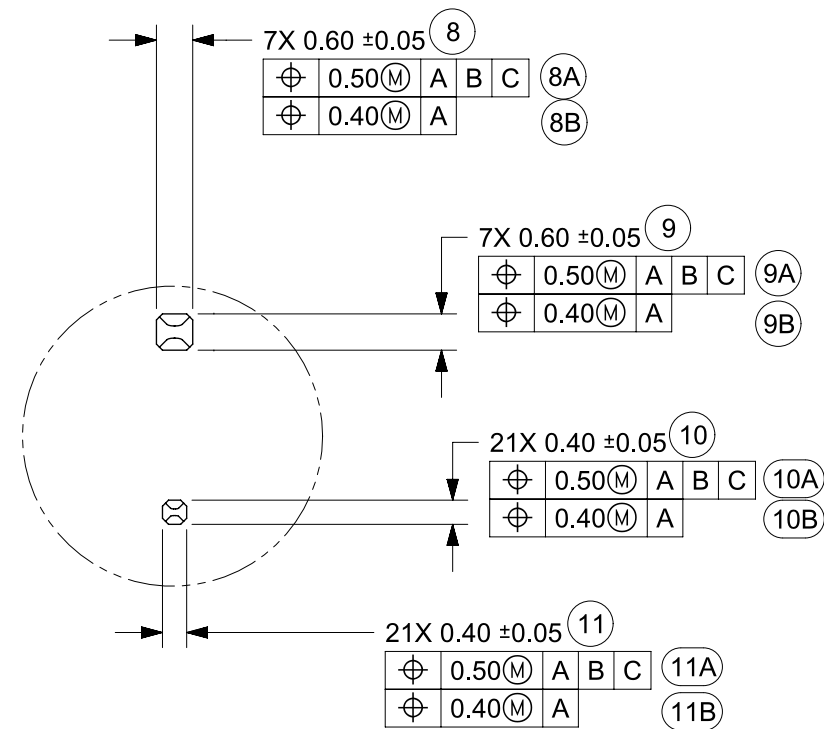
FUNCTIONAL SYMBOLS										THIS DRAWING CONTAINS INFORMATION THAT IS PROPRIETARY TO MOLEX ELECTRONIC TECHNOLOGIES, LLC AND SHOULD NOT BE USED WITHOUT WRITTEN PERMISSION																			
DIMENSION UNITS		SCALE		CURRENT REV DESC: SEE REVISION TABLE																									
MM		2:1																											
GENERAL TOLERANCES (UNLESS SPECIFIED)																													
ANGULAR TOL ±																													
DIVISIONAL SYMBOLS										STATUS: Production																			
3 PLACES ±		2 PLACES ± 0.130		1 PLACE ± 0.25		0 PLACES ±		DRAFT WHERE APPLICABLE MUST REMAIN WITHIN DIMENSIONS		THIRD ANGLE PROJECTION		DRAWING		SERIES		MATERIAL NUMBER		CUSTOMER										SHEET NUMBER	
												B-SIZE		200501		SEE TABLE												1 OF 2	

RECOMMENDED MODULE OPENING  
TO PASS ISO 20653 IP40



PCB LAYOUT  
FOR REFERENCE

FOR SINGLE-BAY HEADER ONLY  
FOR MULTIPLE-BAY STACKED HEADER SEE DRAWING 2005050000



DETAIL A  
SCALE 8:1

REVISION	DESCRIPTION
D1	TITLE BLOCK UPDATE
D	UPDATED THE PACKAGING DETAILS
C1	ADDED PCB HOLE DIMENSIONAL & POSITIONAL TOLERANCE 10-JUNE-2020 YPENG47 ECN:639277

THIS DRAWING CONTAINS INFORMATION THAT IS PROPRIETARY TO MOLEX ELECTRONIC TECHNOLOGIES, LLC AND SHOULD NOT BE USED WITHOUT WRITTEN PERMISSION																																																																																																			
FUNCTIONAL SYMBOLS	DIMENSION UNITS	SCALE	CURRENT REV DESC: SEE REVISION TABLE																																																																																																
$\sqrt{A} = 0$	MM	1:1	<table border="1"> <tr> <td colspan="4" rowspan="2"> <b>molex</b> STAK50H MOD HDR 28 VERTICAL SINGLE ASM                 </td> <td colspan="4">PRODUCT SALES DRAWING</td> </tr> <tr> <td colspan="2">DOCUMENT NUMBER</td> <td>DOC TYPE</td> <td>DOC PART</td> <td>REVISION</td> </tr> <tr> <td colspan="2">GENERAL TOLERANCES (UNLESS SPECIFIED)</td> <td colspan="2">STATUS: Production</td> <td colspan="2">2024-01-09</td> <td colspan="2">2005011280SD</td> <td>PSD</td> <td>000</td> <td>D1</td> </tr> <tr> <td colspan="2">ANGULAR TOL ±</td> <td colspan="2">DRWN: Praveen Kumar S</td> <td colspan="2">2024-01-12</td> <td colspan="2">SEE TABLE</td> <td colspan="3">SHEET NUMBER</td> </tr> <tr> <td colspan="2">4 PLACES ±</td> <td colspan="2">CHK'D: Kun Du</td> <td colspan="2">2024-01-12</td> <td colspan="2">MATERIAL NUMBER</td> <td colspan="3">2 OF 2</td> </tr> <tr> <td colspan="2">3 PLACES ±</td> <td colspan="2">APPR: Ringo Hu</td> <td colspan="2">SERIES</td> <td colspan="2">CUSTOMER</td> <td colspan="3"></td> </tr> <tr> <td colspan="2">2 PLACES ± 0.130</td> <td colspan="2">DRAFT WHERE APPLICABLE MUST REMAIN WITHIN DIMENSIONS</td> <td colspan="2">THIRD ANGLE PROJECTION</td> <td colspan="2">DRAWING</td> <td colspan="3">B-SIZE</td> </tr> <tr> <td colspan="2">1 PLACE ± 0.25</td> <td colspan="2"></td> <td colspan="2">DRAWING</td> <td colspan="2">SERIES</td> <td colspan="3">200501</td> </tr> <tr> <td colspan="2">0 PLACES ±</td> <td colspan="2"></td> <td colspan="2">DRAWING</td> <td colspan="2">SERIES</td> <td colspan="3">200501</td> </tr> </table>							<b>molex</b> STAK50H MOD HDR 28 VERTICAL SINGLE ASM				PRODUCT SALES DRAWING				DOCUMENT NUMBER		DOC TYPE	DOC PART	REVISION	GENERAL TOLERANCES (UNLESS SPECIFIED)		STATUS: Production		2024-01-09		2005011280SD		PSD	000	D1	ANGULAR TOL ±		DRWN: Praveen Kumar S		2024-01-12		SEE TABLE		SHEET NUMBER			4 PLACES ±		CHK'D: Kun Du		2024-01-12		MATERIAL NUMBER		2 OF 2			3 PLACES ±		APPR: Ringo Hu		SERIES		CUSTOMER					2 PLACES ± 0.130		DRAFT WHERE APPLICABLE MUST REMAIN WITHIN DIMENSIONS		THIRD ANGLE PROJECTION		DRAWING		B-SIZE			1 PLACE ± 0.25				DRAWING		SERIES		200501			0 PLACES ±				DRAWING		SERIES		200501		
<b>molex</b> STAK50H MOD HDR 28 VERTICAL SINGLE ASM														PRODUCT SALES DRAWING																																																																																					
										DOCUMENT NUMBER		DOC TYPE	DOC PART	REVISION																																																																																					
GENERAL TOLERANCES (UNLESS SPECIFIED)		STATUS: Production								2024-01-09		2005011280SD		PSD	000	D1																																																																																			
ANGULAR TOL ±		DRWN: Praveen Kumar S		2024-01-12		SEE TABLE		SHEET NUMBER																																																																																											
4 PLACES ±		CHK'D: Kun Du		2024-01-12		MATERIAL NUMBER		2 OF 2																																																																																											
3 PLACES ±		APPR: Ringo Hu		SERIES		CUSTOMER																																																																																													
2 PLACES ± 0.130		DRAFT WHERE APPLICABLE MUST REMAIN WITHIN DIMENSIONS		THIRD ANGLE PROJECTION		DRAWING		B-SIZE																																																																																											
1 PLACE ± 0.25				DRAWING		SERIES		200501																																																																																											
0 PLACES ±				DRAWING		SERIES		200501																																																																																											
$\sqrt{E} = 0$																																																																																																			
$\sqrt{V} = 0$																																																																																																			
DIVISIONAL SYMBOLS																																																																																																			