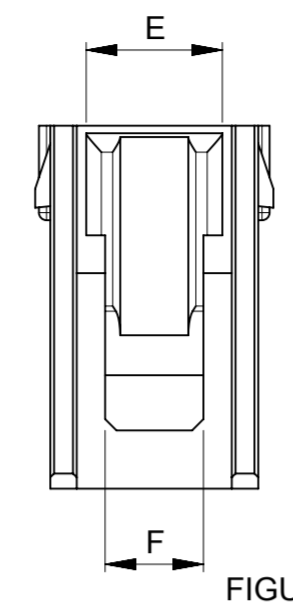
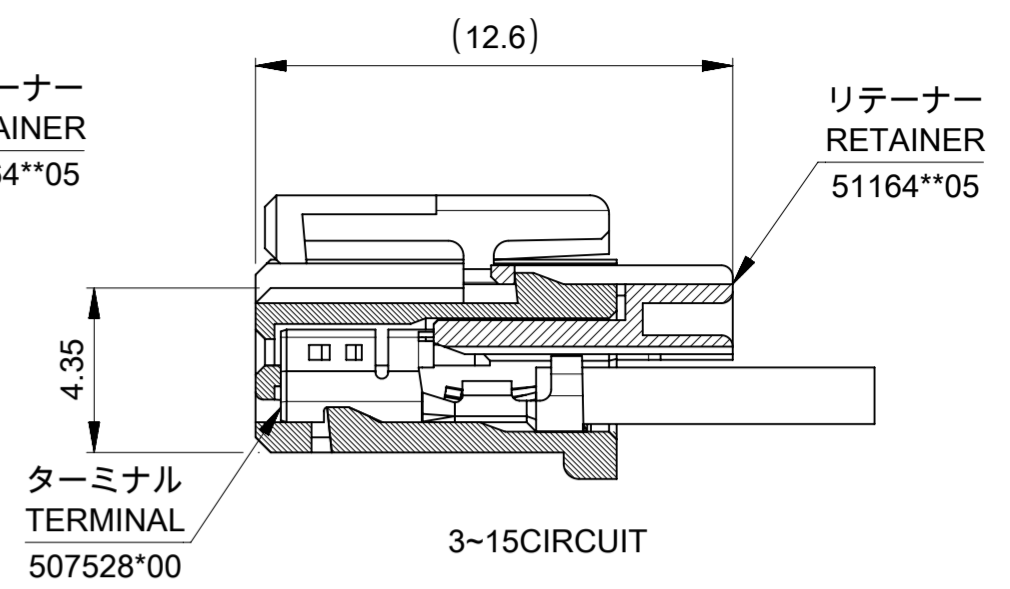
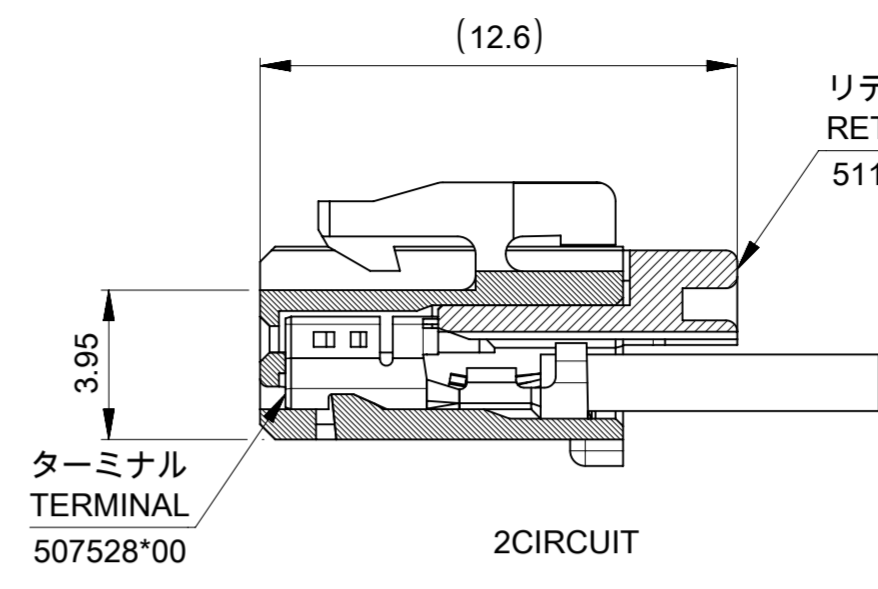


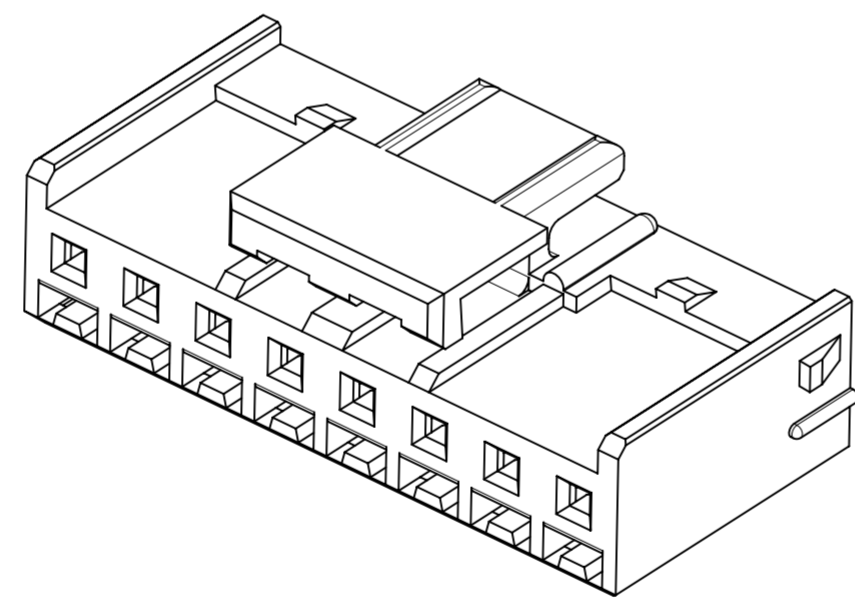
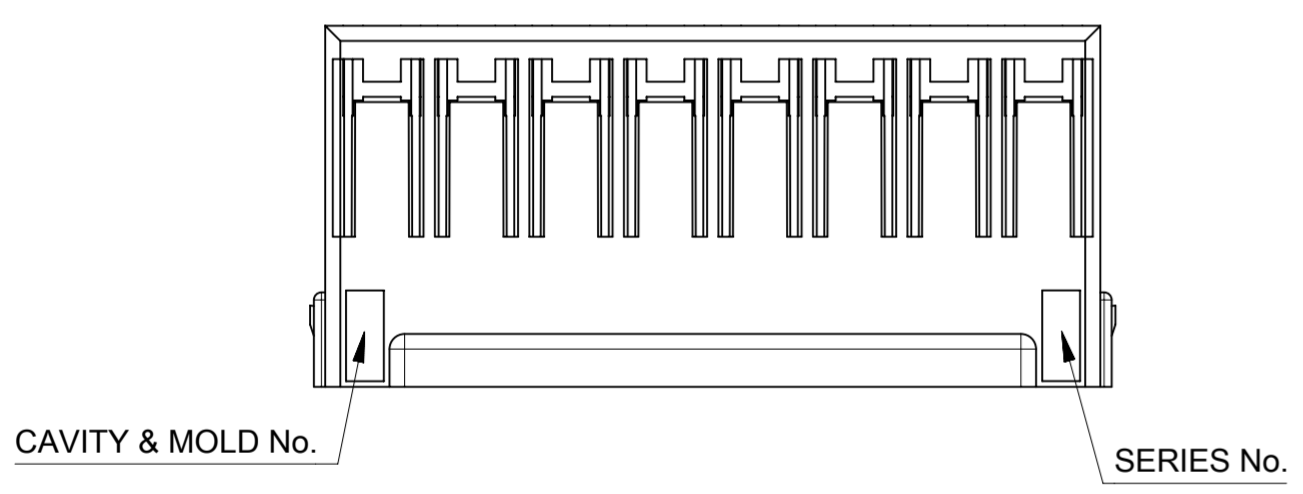
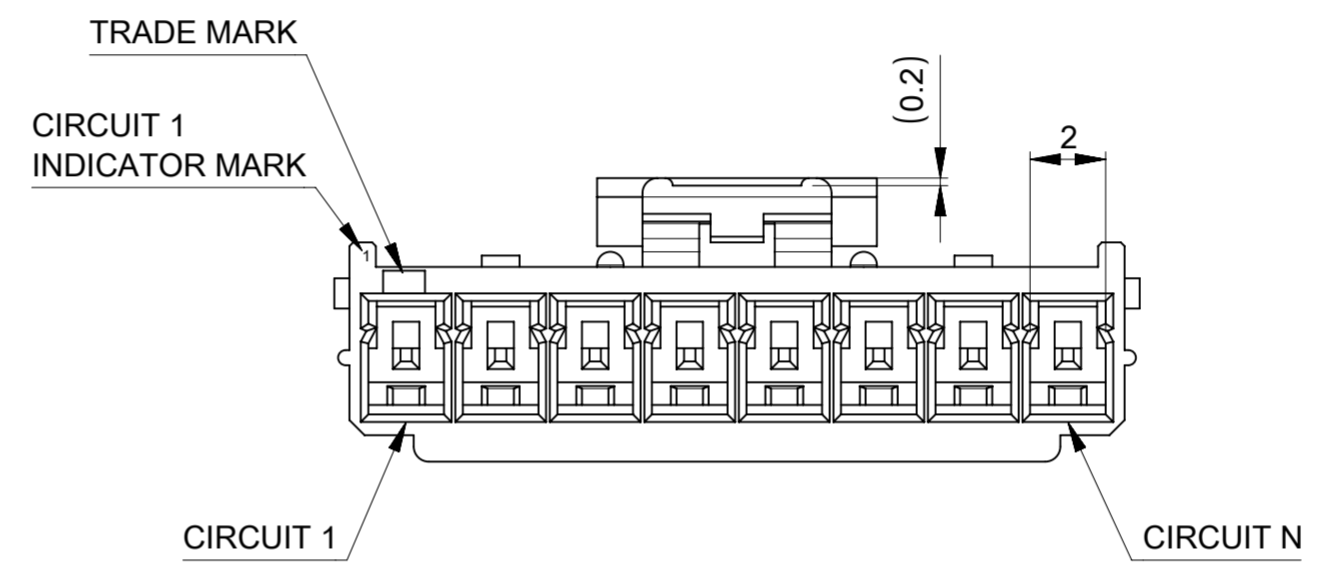
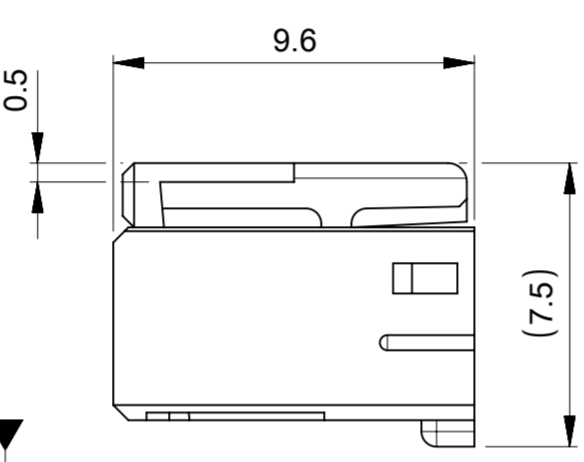
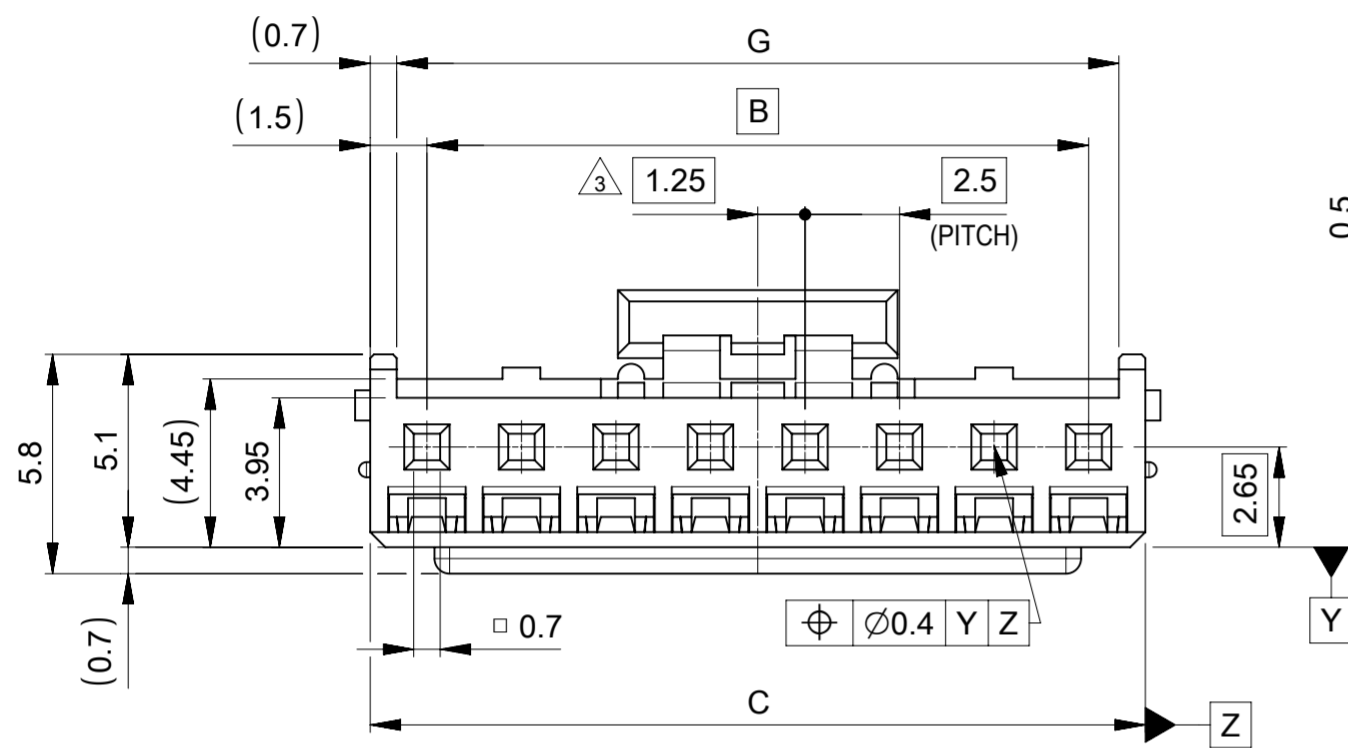
2極ロック形状
2CIRCUIT LOCK FORM



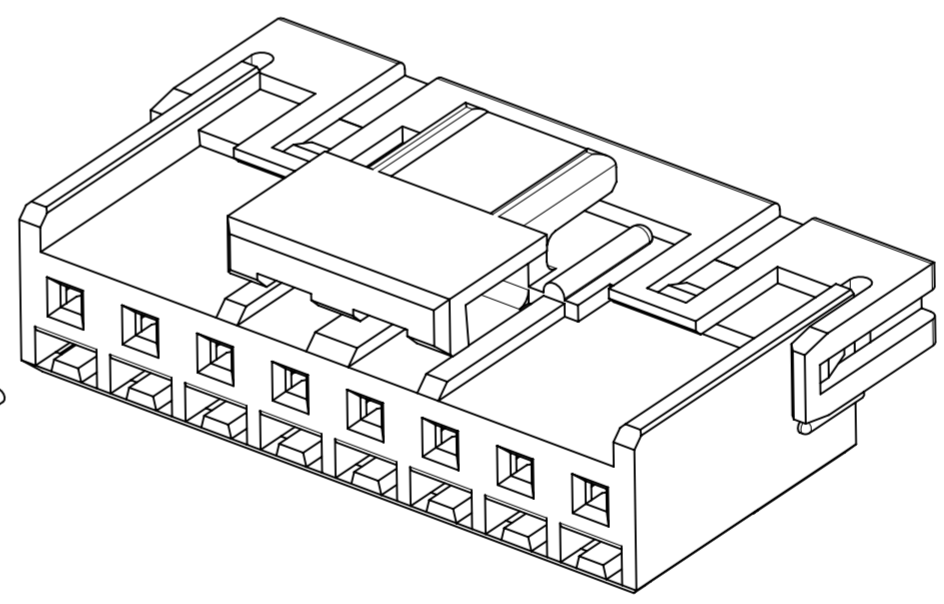
2極形状
FIGURE OF 2 CIRCUIT



ターミナル及びリテーナー装着状態図
TERMINAL AND RETAINER ASSEMBLY DRAWING



リテーナー未装着状態図
ASSEMBLY DRAWING



リテーナー装着状態図
RETAINER ASSEMBLY DRAWING

36.6	7.4	5	12.5	38	35	38.8	5116315**	15
34.1	7.4	5	12.5	35.5	32.5	36.3	5116314**	14
31.6	7.4	5	12.5	33	30	33.8	5116313**	13
29.1	7.4	5	12.5	30.5	27.5	31.3	5116312**	12
26.6	7.4	5	12.5	28	25	28.8	5116311**	11
24.1	7.4	5	12.5	25.5	22.5	26.3	5116310**	10
21.6	7.4	5	12.5	23	20	23.8	5116309**	9
19.1	7.4	5	12.5	20.5	17.5	21.3	5116308**	8
16.6	7.4	5	-	18	15	18.8	5116307**	7
14.1	7.4	5	-	15.5	12.5	16.3	5116306**	6
11.6	7.4	5	-	13	10	13.8	5116305**	5
9.1	7.4	5	-	10.5	7.5	11.3	5116304**	4
6.6	5	3	-	8	5	8.8	5116303**	3
4.1	2.6	3.6	-	5.5	2.5	6.3	5116302**	2
G	F	E	D	C	B	(A)	発注番号 ORDER No.	極数 CIRCUIT SIZE

- NOTE
- △ 材料：TABLE1参照
MATERIAL:SEE TABLE1
 - △ 適合ハウジング, 嵌合相手, 関連ドキュメントについてはSHEET 2 を御参照ください。
PLEASE REFER TO SHEET 2 FOR APPLICABLE HOUSING, MATING PARTNER AND RELATED DOCUMENTS.
 - △ 偶数極に適用
APPLY FOR EVEN CIRCUIT.
 - 4. 本製品のプラスチック部に黒点等が確認される場合や、色合いが異なる場合が御座いますが、製品性能に影響は御座いません
THERE IS NO INFLUENCE IN THE PRODUCT PERFORMANCE IN CASE THAT THE BLACK SPOT OR BUBBLE ETC. MIGHT BE APPEARED ON THE PLASTIC PART OF THIS PRODUCT AND THE COLOR SHADE MIGHT BE DIFFERENT.
 - 5. GLOW WIRE TEST適合品
THIS PRODUCT IS GLOW WIRE TEST COMPATIBLE.

△ TABLE1

部品 PART	材質 MATERIAL
ハウジング HOUSING	51163**00 ポリエステル(PBT):ガラス非含有,UL94V-0,色:ナチュラル(白) POLYESTER(PBT):GLASS UNFILLED,UL94V-0,COLOR:NATURAL(WHITE)
	51163**41 ポリアミド(PA):ガラス非含有,UL94V-0,色:黒 POLYAMIDE(PA):GLASS UNFILLED,UL94V-0,COLOR:BLACK

DOCUMENT STATUS	P1	RELEASE DATE	2023/05/15 02:57:18
-----------------	----	--------------	---------------------

THIS DRAWING CONTAINS INFORMATION THAT IS PROPRIETARY TO MOLEX ELECTRONIC TECHNOLOGIES, LLC AND SHOULD NOT BE USED WITHOUT WRITTEN PERMISSION

DIMENSION UNITS mm	SCALE NTS	CURRENT REV DESC:	molex		
GENERAL TOLERANCES (UNLESS SPECIFIED)		EC NO: 652870			
ANGULAR TOL ± 3.0°	4 PLACES ± 0.2	DRWN: MIKEDA01 2023/03/27	PRODUCT CUSTOMER DRAWING		
3 PLACES ± 0.2	2 PLACES ± 0.2	CHK'D: SAKIYAMA 2023/05/11	DOCUMENT NUMBER		
1 PLACE ± 0.2	0 PLACES ± 0.2	APPR: AIDA 2023/05/15	51163000-SD		
DRAFT WHERE APPLICABLE MUST REMAIN WITHIN DIMENSIONS		INITIAL REVISION: DRWN: RWATANABE01 2019/04/22	DOC TYPE	DOC PART	REVISION
THIRD ANGLE PROJECTION		APPR: SAKIYAMA 2020/09/28	PSD	000	B
DRAWING		SERIES	MATERIAL NUMBER	CUSTOMER	SHEET NUMBER
A2-SIZE		51163	GENERAL	GENERAL	1 OF 2

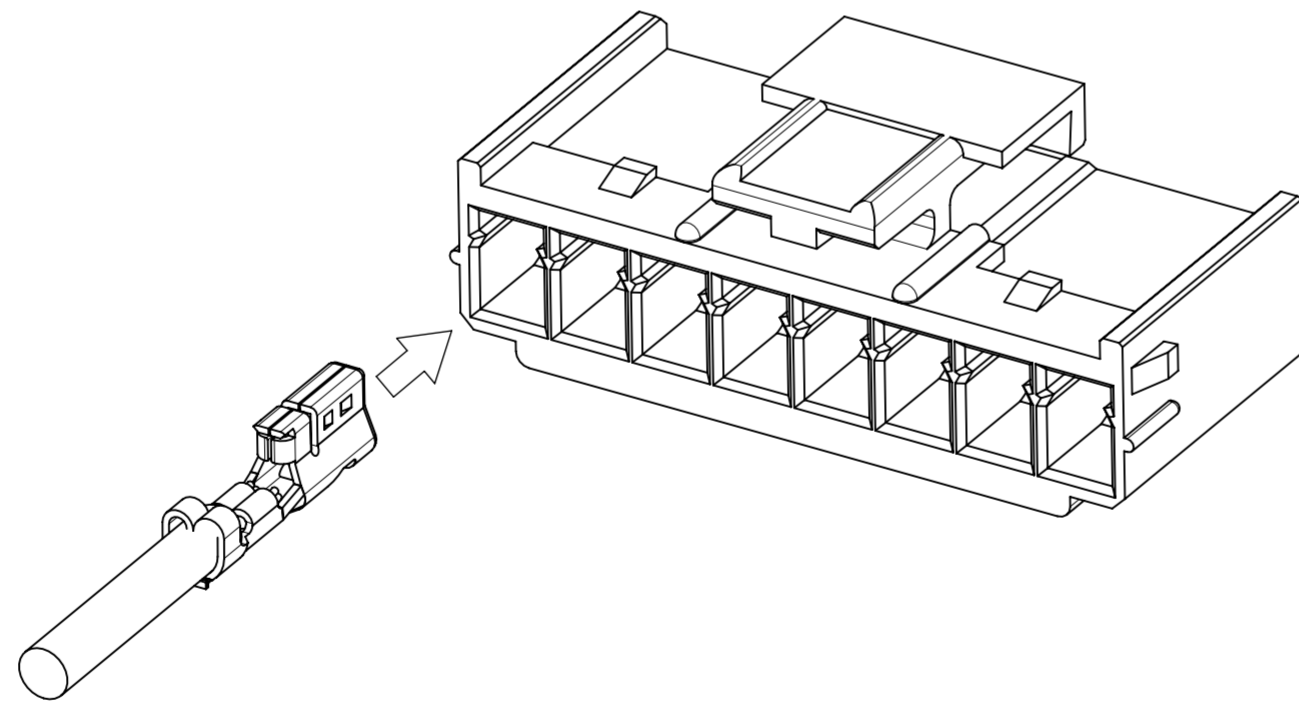
△ 適合製品及び各種仕様書
 APPLICABLE PRODUCT AND VARIOUS SPECIFICATIONS

梱包仕様書 PACKAGING SPECIFICATION	PART NUMBER	SPECIFICATION NUMBER
	51163**0*	511639200-SPK 200

適合端子 APPLICABLE TERMINAL	PART NUMBER	PLATING TYPE	WIRE SIZE(AWG)
	507528200	TIN	#20-#22
	507528400	TIN	#24-#26

適合リテーナー APPLICABLE RETAINER	51164			
シリーズ番号 SERIES No.				
適合嵌合相手 MATE WITH	THROUGH HOLE		SURFACE MOUNT	
	VERTICAL	VERTICAL (FOR POTTING)	RIGHT ANGLE	VERTICAL
	TIN PLATING		TIN PLATING	TIN PLATING
	53375 53476	53517	53426	215931 215932
製品仕様書 PRODUCT SPECIFICATION	511630000-PS PS 000			
取扱説明書 APPLICATION SPECIFICATION	2166940000-AS PS 000			

製品嵌合図は各"適合嵌合相手"図面参照のこと
 MATING VIEW : REFER TO EACH "MATE WITH" PART DRAWING.

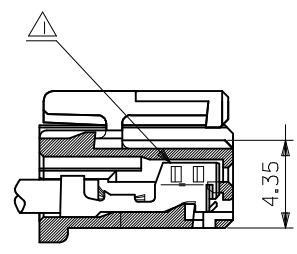
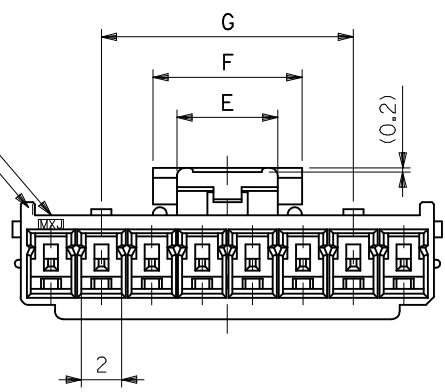


圧着ケーブル挿入方向
 HARNESS ASSY INSERTION DIRECTION

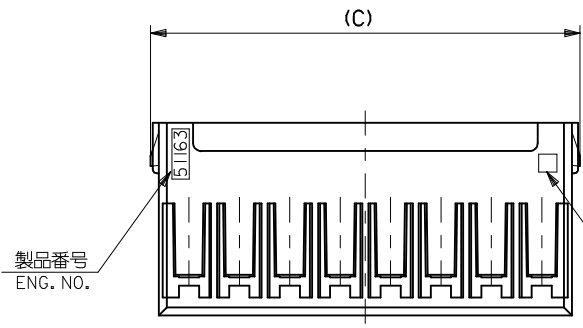
黒 BLACK	ナチュラル(白) NATURAL(WHITE)	ハウジング色 HOUSING COLOR
PA GF0, UL94 V-0	PBT GF0, UL94 V-0	樹脂種 RESIN TYPE
511631541	511631500	15
511631441	511631400	14
511631341	511631300	13
511631241	511631200	12
511631141	511631100	11
511631041	511631000	10
511630941	511630900	9
511630841	511630800	8
511630741	511630700	7
511630641	511630600	6
511630541	511630500	5
511630441	511630400	4
511630341	511630300	3
511630241	511630200	2
発注番号 ORDER NO.		極数 CIRCUIT SIZE

THIS DRAWING CONTAINS INFORMATION THAT IS PROPRIETARY TO MOLEX ELECTRONIC TECHNOLOGIES, LLC AND SHOULD NOT BE USED WITHOUT WRITTEN PERMISSION									
DIMENSION UNITS mm	SCALE NTS	CURRENT REV DESC:							
GENERAL TOLERANCES (UNLESS SPECIFIED)									
ANGULAR TOL ± 3.0°		EC NO: 652870			MINI-LOCK 2.5 SINGLE ROW RECEPTACLE HOUSING WITH RETAINER				
4 PLACES ± 0.2		DRWN: MIKEDA01	2023/03/27						
3 PLACES ± 0.2		CHK'D: SAKIYAMA	2023/05/11		PRODUCT CUSTOMER DRAWING				
2 PLACES ± 0.2		APPR: AIDA	2023/05/15						
1 PLACE ± 0.2		INITIAL REVISION:			DOCUMENT NUMBER		DOC TYPE	DOC PART	REVISION
0 PLACES ± 0.2		DRWN: RWATANABE01	2019/04/22		511630000-SD		PSD	000	B
DRAFT WHERE APPLICABLE MUST REMAIN WITHIN DIMENSIONS	THIRD ANGLE PROJECTION	DRAWING	SERIES	MATERIAL NUMBER	CUSTOMER	SHEET NUMBER			
		A2-SIZE	51163	3	GENERAL	2 OF 2			

△
トレードマーク
TRADE MARK
回路番号 1
CIRCUIT NO.1

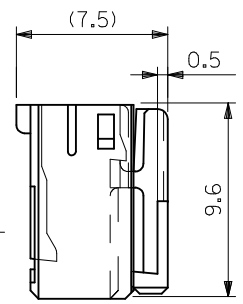


ターミナル装着状態図
TERMINAL ASSEMBLY DRAWING

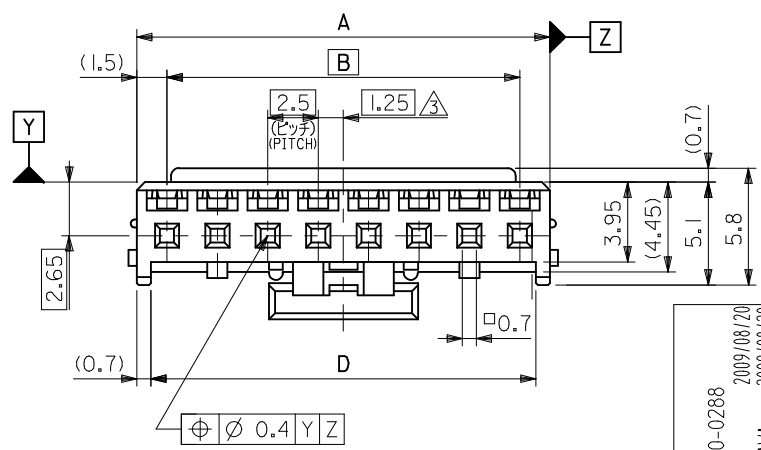


製品番号
ENG. NO.

△
キャビティー番号
及び金型番号
CAVITY NO.
AND MODEL NO.



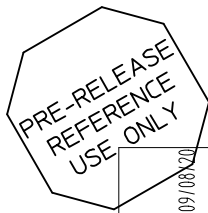
12.5	7.4	5	36.6	38.8	35	38	51163-158*	15
↑	↑	↑	34.1	36.3	32.5	35.5	↑ -148*	14
			31.6	33.8	30	33	↑ -138*	13
			29.1	31.3	27.5	30.5	↑ -128*	12
			26.6	28.8	25	28	↑ -118*	11
			24.1	26.3	22.5	25.5	↑ -108*	10
↓			21.6	23.8	20	23	↑ -098*	9
12.5			19.1	21.3	17.5	20.5	↑ -088*	8
			16.6	18.8	15	18	↑ -078*	7
			14.1	16.3	12.5	15.5	↑ -068*	6
			11.6	13.8	10	13	↑ -058*	5
	7.4	5	9.1	11.3	7.5	10.5	↑ -048*	4
	5	3	6.6	8.8	5	8	↑ 51163-038*	3
G	F	E	D	(C)	B	A	MATERIAL AND ORDER No. △	CIRCUIT No.



REVISED EC NO: J2010-0288 DRWN: YG010 2009/08/20 CHKD: KASAKAWA 2009/08/20 APPR: NUKITA 2009/08/24	GENERAL TOLERANCES (UNLESS SPECIFIED)		DIMENSION STYLE MM ONLY		SCALE 4:1	DESIGN UNITS METRIC	THIRD ANGLE PROJECTION	
	10 UNDER	±0.2	DRAWN BY K. HARADA	DATE 1997/10/2	TITLE 2.5 W/B CONN HSG (POSITIVE LOCK)			
	10 OVER 30 UNDER	±0.25	CHECKED BY T. ITO	DATE 1997/11/12	APPROVED BY M. FUKUSHIMA 1997/11/12			
	30 OVER	±0.3	MATERIAL NO.		MOLEX INCORPORATED		DOCUMENT NO.	SHEET NO.
ANGULAR ±3 °		DRAFT WHERE APPLICABLE MUST REMAIN WITHIN DIMENSIONS		ENTER PART		SD-51163-**-00		1 OF 2
THIS DRAWING CONTAINS INFORMATION THAT IS PROPRIETARY TO MOLEX INCORPORATED AND SHOULD NOT BE USED WITHOUT WRITTEN PERMISSION								

注記 NOTES

- △1 適合ターミナル：5035I-8*00
APPLICABLE TERMINAL : 5035I-8*00
- 2. 嵌合相手：53375,53426 シリーズ
MATE WITH : 53375,53426 SERIES
- △3 偶数極の製品に適用。
APPLY EVEN CIRCUIT PRODUCTS.
- △4 トレードマーク：Mプラス 1 ~ 2 文字のアルファベットにて構成。(例 MXJ)
但し "J" は JAPAN を示す。
FORMED BY M AND 1 ~ 2 MORE LETTER OF ALPHABET (e.g. MXJ)
(TO TRADE MARK), BUT "J" SHOW JAPAN.
- △5 キャビティー番号：1桁~2桁の数字
金型番号：アルファベット1文字にて構成。(例, 1A, 10B)
FORMED BY 1 DIGIT TO 2 DIGIT NUMBERS (TO CAVITY
NO.) AND BY 1 LETTER OF ALPHABET (TO MOLD NO.).
(e.g. 1A, 10B)
- △6 MATERIAL AND ORDER No.
51163-**00
CIRCUIT SIZE
極数
- 7. 材料:PBT, UL 94V-0
- 8. 色:白 WHITE (NATURAL)



REVISED EC NO: DRWN:Y.GOTO CHKD:K.SAKAWA APPR: C	DESCRIPTION 2009/08/20	GENERAL TOLERANCES (UNLESS SPECIFIED)		DIMENSION STYLE MM ONLY	SCALE 4:1	DESIGN UNITS METRIC	THIRD ANGLE PROJECTION	
		10 UNDER	±0.2	DRAWN BY K. HARADA	DATE 1997/10/2	TITLE 2.5 W/B CONN HSG (POSITIVE LOCK)		
		10 OVER 30 UNDER	±0.25	CHECKED BY T. ITO	DATE 1997/11/12			
		30 OVER	±0.3	APPROVED BY M. FUKUSHIMA	DATE 1997/11/12	MOLEX INCORPORATED		
ANGULAR ±3 °		DRAFT WHERE APPLICABLE MUST REMAIN WITHIN DIMENSIONS		MATERIAL NO. ENTER PART	DOCUMENT NO. SD-51163-**00	SHEET NO. 2 OF 2		
				SIZE A3	THIS DRAWING CONTAINS INFORMATION THAT IS PROPRIETARY TO MOLEX INCORPORATED AND SHOULD NOT BE USED WITHOUT WRITTEN PERMISSION			