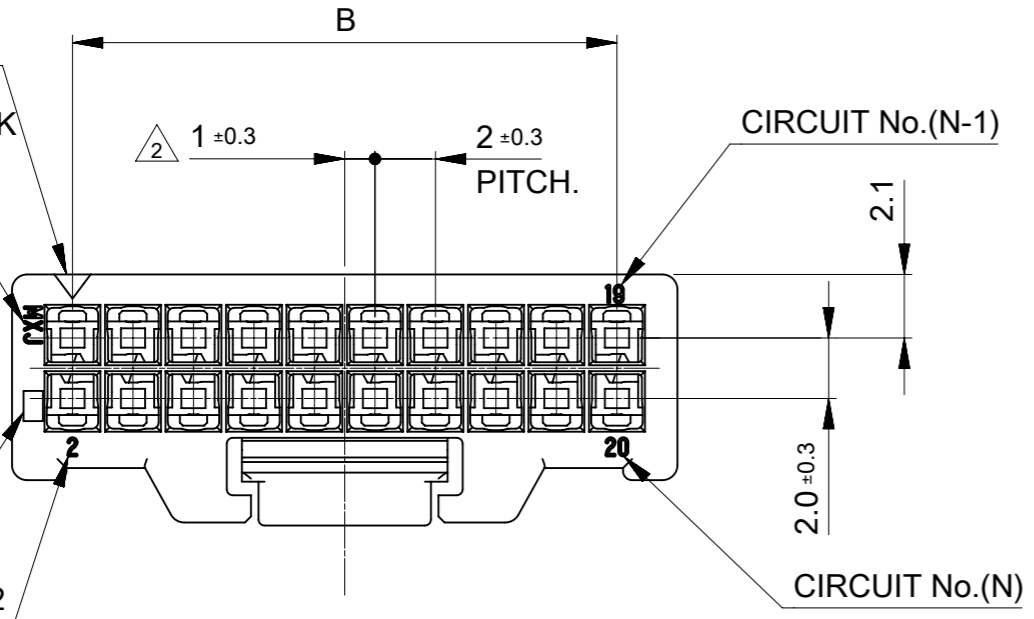


回路番号1
CIRCUIT No.1
INDICATOR MARK

トレードマーク
TRADE MARK

キャビティ番号
CAVITY No.

CIRCUIT.No.2



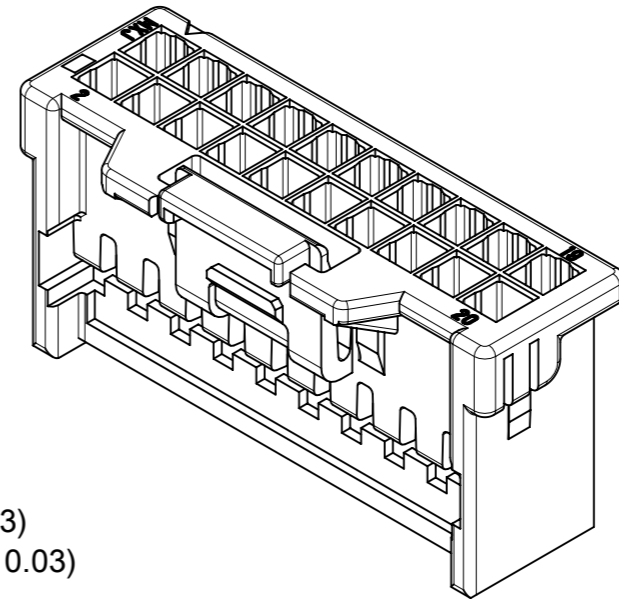
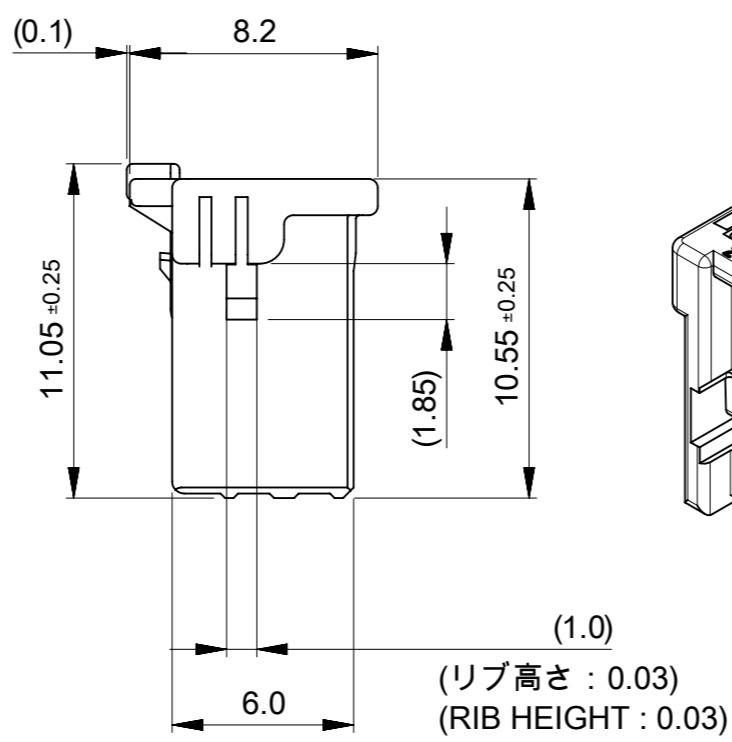
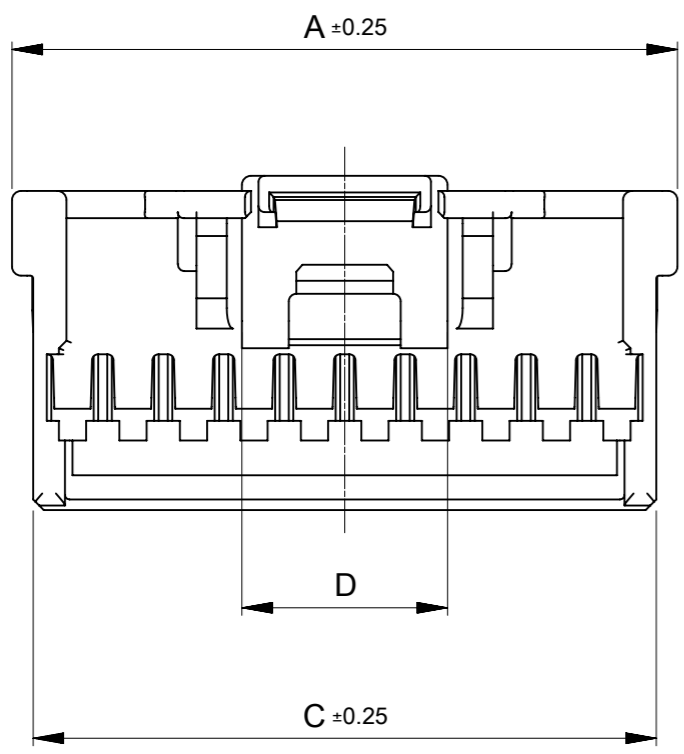
注記
NOTES

- ① 材料: TABLE 1 参照
MATERIAL : SEE TABLE 1
- ② 極数/2=偶数 となる極数に適用
APPLY FOR CIRCUIT SIZE/2 = EVEN
- 3. 関連製品・書類はSHEET 2を参照ください
REFER TO SHEET 2 ABOUT RELATED PRODUCTS AND DOCUMENTS.
- 4. オーダー番号(製品番号): SHEET 2の製品一覧を参照ください
ORDER No. (PRODUCT No.) : REFER TO SHEET 2 FOR PRODUCT LIST.

501646-**0*

極数
CIRCUIT SIZE

ハウジングカラー HOUSING COLOR
0: ナチュラル NATURAL
1: 黒 BLACK
2: 赤 RED
4: 青 BLUE



6.8	40.6	38	42	40
6.8	38.6	36	40	38
6.8	36.6	34	38	36
6.8	34.6	32	36	34
6.8	32.6	30	34	32
6.8	30.6	28	32	30
6.8	28.6	26	30	28
6.8	26.6	24	28	26
6.8	24.6	22	26	24
6.8	22.6	20	24	22
6.8	20.6	18	22	20
6.8	18.6	16	20	18
6.8	16.6	14	18	16
6.8	14.6	12	16	14
6.8	12.6	10	14	12
5.1	10.6	8	12	10
D	C	B	A	極数 CIRCUIT SIZE

① TABLE 1

部品 PART	材質 MATERIAL
ハウジング HOUSING	ポリアミド(PA)ガラス無し、UL94V-0、色: SEE CHART POLYAMIDE(PA) UNFILLED, UL94V-0,COLOR: SEE CHART

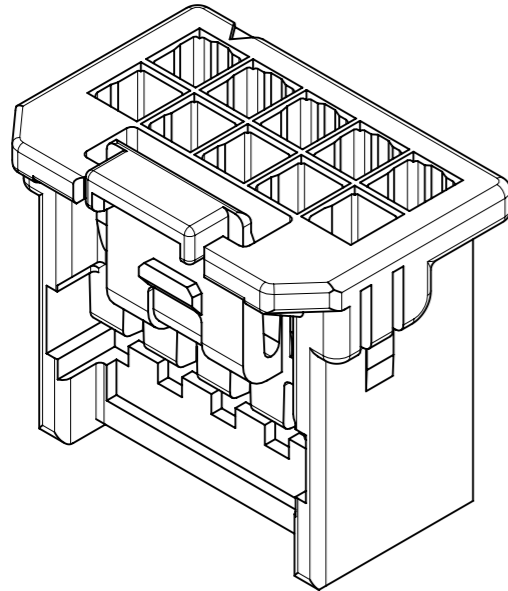
THIS DRAWING CONTAINS INFORMATION THAT IS PROPRIETARY TO MOLEX ELECTRONIC TECHNOLOGIES, LLC AND SHOULD NOT BE USED WITHOUT WRITTEN PERMISSION

DIMENSION UNITS	SCALE	CURRENT REV	DESC: REMOVED OBSOLETE PART NUMBERS AS PER PCN#513389	molex			
mm	NTS	EC NO: 781755		IGRID 2.0 WIRE TO BOARD RECEPTACLE HOUSING			
GENERAL TOLERANCES (UNLESS SPECIFIED)							
ANGULAR TOL	± 3.0 °	DRWN: MADHAM5	2024/03/18	PRODUCT CUSTOMER DRAWING			
4 PLACES	± 0.2	CHK'D: GGA	2024/04/10				
3 PLACES	± 0.2	APPR: GGA	2024/04/10	DOCUMENT NUMBER: 5016460000-SD DOC TYPE: PSD DOC PART: 000 REVISION: A1			
2 PLACES	± 0.2	INITIAL REVISION:					
1 PLACE	± 0.2	DRWN: SNAKAMURA08	2017/09/25	MATERIAL NUMBER: SEE SHEET 2 CUSTOMER: GENERAL SHEET NUMBER: 1 OF 2			
0 PLACES	± 0.2	APPR: SAKIYAMA	2022/07/20				
DRAFT WHERE APPLICABLE MUST REMAIN WITHIN DIMENSIONS		THIRD ANGLE PROJECTION	DRAWING: A3-SIZE	SERIES: 501646			

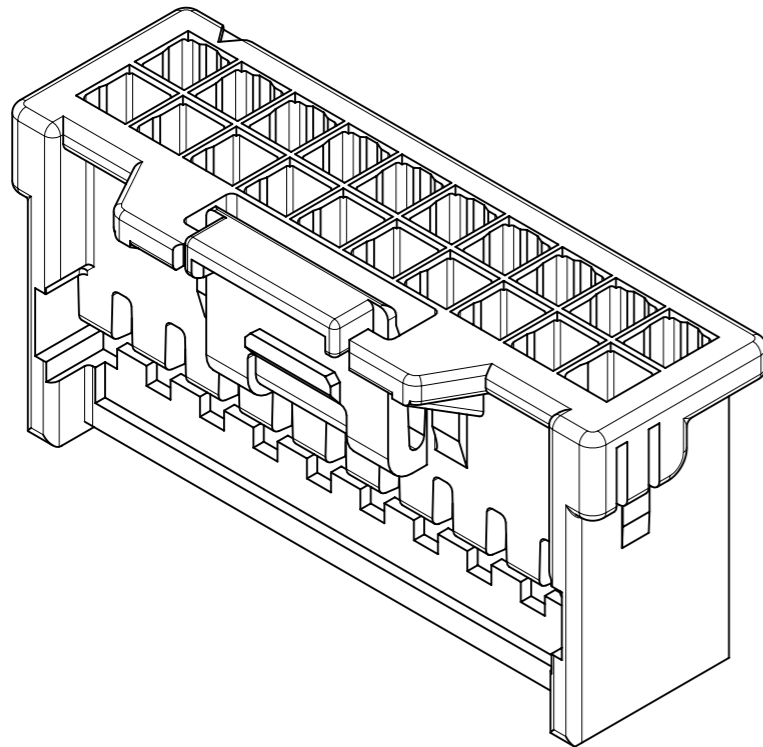
製品一覧
PRODUCT LIST

青: BLUE	赤: RED	黒: BLACK	ナチュラル NATURAL	HOUSING COLOR
501646 4004	501646 4002	501646 4001	501646 4000	40
↑ 3804	↑ 3802	↑ 3801	↑ 3800	38
3604	3602	3601	3600	36
3404	3402	3401	3400	34
3204	3202	3201	3200	32
3004	3002	3001	3000	30
2804	2802	2801	2800	28
2604	2602	2601	2600	26
2404	2402	2401	2400	24
2204	2202	2201	2200	22
2004	2002	2001	2000	20
1804	1802	1801	1800	18
1604	1602	1601	1600	16
1404	1402	1401	1400	14
↓ 1204	↓ 1202	↓ 1201	↓ 1200	12
501646 1004	501646 1002	501646 1001	501645 1000	10
発注番号 ORDER No. PACKAGING STYLE : POLYBAG				極数 CIRCUIT SIZE

各極数毎の製品形状
PRODUCT SHAPE AT EACH CIRCUIT



10, 12極形状
VIEW OF 10, 12 CIRCUIT



14 ~ 40極形状
VIEW OF 14 ~ 40 CIRCUIT

適合製品及び各種仕様書

APPLICABLE PRODUCTS AND VARIOUS SPECIFICATIONS

梱包仕様書 PACKING SPECIFICATION	PART NUMBER	SPECIFICATION NUMBER		
	501646 **0*	5016469200 PS 200		
適合圧着端子 APPLICABLE CRIMP TERMINAL	PLATING TYPE	PART NUMBER	WIRE SIZE(AWG)	
	TIN	5016471000	#22 - #26	
		5016481000	#26 - #28	
	GOLD	5030952201	#22 - #24	
5030952200		#26 - #28		
適合嵌合相手 MATE WITH	TIN PLATING		GOLD PLATING	
	VERTICAL	RIGHT ANGLE	VERTICAL	RIGHT ANGLE
シリーズ番号 SERIES No.	501645	501876	503091	208659
製品仕様書 PRODUCT SPECIFICATION	PS-501646-001		5016460000-PS 000	
アプリケーション仕様書 APPLICATION SPECIFICATION	5016460000 PS A01			

THIS DRAWING CONTAINS INFORMATION THAT IS PROPRIETARY TO MOLEX ELECTRONIC TECHNOLOGIES, LLC AND SHOULD NOT BE USED WITHOUT WRITTEN PERMISSION

DIMENSION UNITS mm	SCALE NTS	CURRENT REV DESC: REMOVED OBSOLETE PART NUMBERS AS PER PCN#513389		molex				
GENERAL TOLERANCES (UNLESS SPECIFIED)		EC NO: 781755						IGRID 2.0 WIRE TO BOARD RECEPTACLE HOUSING
ANGULAR TOL	± 3.0 °	DRWN: MADHAM5		PRODUCT CUSTOMER DRAWING				
4 PLACES	± 0.2	CHK'D: GGA		DOCUMENT NUMBER				
3 PLACES	± 0.2	APPR: GGA		5016460000-SD		DOC TYPE	DOC PART	REVISION
2 PLACES	± 0.2	INITIAL REVISION:		2017/09/25		PSD	000	A1
1 PLACE	± 0.2	DRWN: SNAKAMURA08		2022/07/20		SHEET NUMBER		
0 PLACES	± 0.2	APPR: SAKIYAMA		2022/07/20		2 OF 2		
DRAFT WHERE APPLICABLE MUST REMAIN WITHIN DIMENSIONS		THIRD ANGLE PROJECTION	DRAWING	SERIES	MATERIAL NUMBER	CUSTOMER	SHEET NUMBER	
			A3-SIZE	501646	SEE TABLE	GENERAL	2 OF 2	