

ABBREVIATION	DESCRIPTION	COLOR	MATERIAL
A-BLACK	HOUSING, KEYING OPTION A	BLACK	SPS/NYLON GF20
B-LIGHT GRAY	HOUSING, KEYING OPTION B	LIGHT GRAY	SPS/NYLON GF20
C-BROWN	HOUSING, KEYING OPTION C	BROWN	SPS/NYLON GF20
D-GREEN	HOUSING, KEYING OPTION D	GREEN	SPS/NYLON GF20
A-YELLOW	HOUSING, KEYING OPTION A	YELLOW	SPS/NYLON GF20
C-DARK GRAY	HOUSING, KEYING OPTION C	DARK GRAY	SPS/NYLON GF20
D-STONE GRAY	HOUSING, KEYING OPTION D	STONE GRAY	SPS/NYLON GF20
A-LIGHT BLUE	HOUSING, KEYING OPTION A	LIGHT BLUE	SPS/NYLON GF 20
GCO	GROMMET CAP (OPEN)	BLACK	SPS/NYLON GF20
GCP	GROMMET CAP (PLUGGED)	BLACK	SPS/NYLON GF20
PLR	PLR	NATURAL	SPS/NYLON GF20
M-R	MAT SEAL	RUST RED	INHERENTLY LUBRICATED SILICONE
M-B	MAT SEAL	LIGHT BLUE	INHERENTLY LUBRICATED SILICONE

FOR ADDITIONAL INFORMATION SEE SD-33482-0001

ASSEMBLY DESCRIPTION	ASSEMBLY PART NUMBER	COMPONENT				BLOCKED TERMINALS										STATUS	COMMENT	OPTIONAL ATTACHMENTS SOLD SEPARATELY										
		THE PRESENCE OF AN ABBREVIATION INDICATES THE PRESENCE OF THAT COMPONENT				CAVITY WITH A NUMBER INDICATES BLOCKED TERMINAL POSITION CAVITY WITHOUT A NUMBER INDICATES OPEN TERMINAL POSITION												BACKSHELL WITH RIBS	BACKSHELL WITHOUT RIBS	90° ADAPTOR WITH RIBS	90° ADAPTOR WITHOUT RIBS							
		HOUSING KEY/COLOR	GROMMET CAP	PLR	MAT SEAL																							
MX150 ASSY BLD 2X10 BK A/20	334822001	A-BLACK	GCO	PLR	M-R	-	-	-	-	-	-	-	-	-	-	-	-	-	-	-	-	-	OBSOLETE	SEE 334822101	34950-2011	34950-2021	34951-1631	34951-1641
MX150 ASSY BLD 2X10 LG B/20	334822002	B-LIGHT GRAY	GCO	PLR	M-R	-	-	-	-	-	-	-	-	-	-	-	-	-	-	-	-	-	OBSOLETE	SEE 334822102	34950-2011	34950-2021	34951-1631	34951-1641
MX150 ASSY BLD 2X10 BR C/20	334822003	C-BROWN	GCO	PLR	M-R	-	-	-	-	-	-	-	-	-	-	-	-	-	-	-	-	-	OBSOLETE	SEE 334822154	34950-2011	34950-2021	34951-1631	34951-1641
MX150 ASSY BLD 2X10 GR D/20	334822004	D-GREEN	GCO	PLR	M-R	-	-	-	-	-	-	-	-	-	-	-	-	-	-	-	-	-	OBSOLETE	SEE 334822155	34950-2011	34950-2021	34951-1631	34951-1641
MX150 ASSY BLD 2X10 BK A/19	334822006	A-BLACK	GCP	PLR	M-R	-	-	-	-	-	-	-	-	-	-	-	-	-	-	-	-	-	OBSOLETE	SEE 334822106	34950-2011	34950-2021	34951-1631	34951-1641
MX150 ASSY BLD 2X10 BK A/19	334822007	A-BLACK	GCP	PLR	M-R	-	-	-	-	-	-	-	-	-	-	-	-	-	-	-	-	20	OBSOLETE	SEE 334822107	34950-2011	34950-2021	34951-1631	34951-1641
MX150 ASSY BLD 2X10 BK A/12	334822008	A-BLACK	GCP	PLR	M-R	-	-	-	4	5	6	7	-	-	-	-	-	-	-	-	-	-	OBSOLETE	SEE 334822108	34950-2011	34950-2021	34951-1631	34951-1641
MX150 ASSY BLD 2X10 BK A/18	334822009	A-BLACK	GCP	PLR	M-R	-	-	-	-	-	-	7	-	-	-	-	-	-	-	-	-	-	OBSOLETE	SEE 334822109	34950-2011	34950-2021	34951-1631	34951-1641
MX150 ASSY BLD 2X10 BK A/16	334822010	A-BLACK	GCP	PLR	M-R	-	-	-	-	-	-	-	-	-	-	-	-	-	-	-	-	10	OBSOLETE	SEE 334822110	34950-2011	34950-2021	34951-1631	34951-1641
MX150 ASSY BLD 2X10 BK A/17	334822011	A-BLACK	GCP	PLR	M-R	11	12	-	-	-	-	-	-	-	-	-	-	-	-	-	-	20	OBSOLETE	SEE 334822111	34950-2011	34950-2021	34951-1631	34951-1641
MX150 ASSY BLD 2X10 BK A/14	334822012	A-BLACK	GCP	PLR	M-R	1	2	-	-	-	-	-	-	-	-	-	-	-	-	-	-	10	OBSOLETE	SEE 334822112	34950-2011	34950-2021	34951-1631	34951-1641
MX150 ASSY BLD 2X10 BK A/12	334822013	A-BLACK	GCP	PLR	M-R	11	12	-	-	-	-	-	-	-	-	-	-	-	-	-	-	20	OBSOLETE	SEE 334822113	34950-2011	34950-2021	34951-1631	34951-1641
MX150 ASSY BLD 2X10 BK A/14	334822014	A-BLACK	GCP	PLR	M-R	-	-	3	4	5	-	-	-	-	-	-	-	-	-	-	-	-	OBSOLETE	SEE 334822114	34950-2011	34950-2021	34951-1631	34951-1641
MX150 ASSY BLD 2X10 BK A/16	334822015	A-BLACK	GCP	PLR	M-R	-	-	-	14	-	-	17	-	19	-	-	-	-	-	-	-	-	OBSOLETE	SEE 334822115	34950-2011	34950-2021	34951-1631	34951-1641
MX150 ASSY BLD 2X10 BK A/16	334822016	A-BLACK	GCP	PLR	M-R	-	-	-	-	-	-	17	-	-	-	-	-	-	-	-	-	-	OBSOLETE	SEE 334822116	34950-2011	34950-2021	34951-1631	34951-1641
MX150 ASSY BLD 2X10 BK A/16	334822016	A-BLACK	GCP	PLR	M-R	-	2	-	-	-	-	-	-	-	-	-	-	-	-	-	-	-	OBSOLETE	SEE 334822116	34950-2011	34950-2021	34951-1631	34951-1641
MX150 ASSY BLD 2X10 BK A/17	334822017	A-BLACK	GCP	PLR	M-R	-	-	-	-	-	-	-	-	-	-	-	-	-	-	-	-	-	OBSOLETE	SEE 334822117	34950-2011	34950-2021	34951-1631	34951-1641
MX150 ASSY BLD 2X10 BK A/15	334822018	A-BLACK	GCP	PLR	M-R	-	-	-	-	-	-	-	-	-	-	-	-	-	-	-	-	10	OBSOLETE	SEE 334822118	34950-2011	34950-2021	34951-1631	34951-1641
MX150 ASSY BLD 2X10 BK A/15	334822018	A-BLACK	GCP	PLR	M-R	-	-	-	-	-	-	-	-	-	-	-	-	-	-	-	-	10	OBSOLETE	SEE 334822118	34950-2011	34950-2021	34951-1631	34951-1641

ASSEMBLY DESCRIPTION	ASSEMBLY PART NUMBER	COMPONENT				BLOCKED TERMINALS										STATUS	COMMENT	OPTIONAL ATTACHMENTS SOLD SEPARATELY			
		THE PRESENCE OF AN ABBREVIATION INDICATES THE PRESENCE OF THAT COMPONENT				CAVITY WITH A NUMBER INDICATES BLOCKED TERMINAL POSITION CAVITY WITHOUT A NUMBER INDICATES OPEN TERMINAL POSITION												BACKSHELL WITH RIBS	BACKSHELL WITHOUT RIBS	90° ADAPTOR WITH RIBS	90° ADAPTOR WITHOUT RIBS
		HOUSING KEY/COLOR	GROMMET CAP	PLR	MAT SEAL																
MX150 ASSY BLD 2X10 BK A/15	334822019	A-BLACK	GCP	PLR	M-R	-	-	3	4	-	-	-	-	-	-	OBSOLETE	SEE 334822119	34950-2011	34950-2021	34951-1631	34951-1641
MX150 ASSY BLD 2X10 BK A/12	334822020	A-BLACK	GCP	PLR	M-R	-	-	3	4	5	-	-	-	-	-	OBSOLETE	SEE 334822120	34950-2011	34950-2021	34951-1631	34951-1641
MX150 ASSY BLD 2X10 BK A/9	334822021	A-BLACK	GCP	PLR	M-R	1	2	3	4	5	-	-	-	-	10	OBSOLETE	SEE 334822121	34950-2011	34950-2021	34951-1631	34951-1641
MX150 ASSY BLD 2X10 BK A/14	334822022	A-BLACK	GCP	PLR	M-R	-	-	3	4	-	-	-	-	-	10	OBSOLETE	SEE 334822122	34950-2011	34950-2021	34951-1631	34951-1641
MX150 ASSY BLD 2X10 BK A/13	334822023	A-BLACK	GCP	PLR	M-R	-	-	-	-	-	-	-	-	-	10	OBSOLETE	SEE 334822123	34950-2011	34950-2021	34951-1631	34951-1641
MX150 ASSY BLD 2X10 BK A/16	334822024	A-BLACK	GCP	PLR	M-R	-	-	-	-	-	-	-	-	-	-	OBSOLETE	SEE 334822124	34950-2011	34950-2021	34951-1631	34951-1641
MX150 ASSY BLD 2X10 BK A/16	334822025	A-BLACK	GCP	PLR	M-R	-	-	-	-	-	-	-	-	-	10	OBSOLETE	SEE 334822125	34950-2011	34950-2021	34951-1631	34951-1641
MX150 ASSY BLD 2X10 BK A/13	334822026	A-BLACK	GCP	PLR	M-R	-	-	-	4	5	-	-	-	-	10	OBSOLETE	SEE 334822126	34950-2011	34950-2021	34951-1631	34951-1641
MX150 ASSY BLD 2X10 BK A/12	334822027	A-BLACK	GCP	PLR	M-R	-	-	-	4	5	-	-	-	-	10	OBSOLETE	SEE 334822127	34950-2011	34950-2021	34951-1631	34951-1641
MX150 ASSY BLD 2X10 BK A/2	334822028	A-BLACK	GCP	PLR	M-R	1	-	3	4	5	6	7	8	9	10	OBSOLETE	SEE 334822128	34950-2011	34950-2021	34951-1631	34951-1641
MX150 ASSY BLD 2X10 BK A/14	334822029	A-BLACK	GCP	PLR	M-R	-	-	-	4	5	6	7	-	-	-	OBSOLETE	SEE 334822129	34950-2011	34950-2021	34951-1631	34951-1641
MX150 ASSY BLD 2X10 BK A/12	334822030	A-BLACK	GCP	PLR	M-R	-	-	3	4	5	-	-	-	-	-	OBSOLETE	SEE 334822130	34950-2011	34950-2021	34951-1631	34951-1641
MX150 ASSY BLD 2X10 BK A/17	334822031	A-BLACK	GCP	PLR	M-R	-	-	-	4	-	-	7	-	-	-	OBSOLETE	SEE 334822131	34950-2011	34950-2021	34951-1631	34951-1641
MX150 ASSY BLD 2X10 BK A/13	334822032	A-BLACK	GCP	PLR	M-R	-	-	3	4	5	-	-	-	-	-	OBSOLETE	SEE 334822132	34950-2011	34950-2021	34951-1631	34951-1641
MX150 ASSY BLD 2X10 BK A/17	334822033	A-BLACK	GCP	PLR	M-R	-	-	-	-	-	-	-	-	-	10	OBSOLETE	SEE 334822133	34950-2011	34950-2021	34951-1631	34951-1641
MX150 ASSY BLD 2X10 BK A/16	334822034	A-BLACK	GCP	PLR	M-R	-	-	-	-	-	-	-	-	-	-	OBSOLETE	SEE 334822134	34950-2011	34950-2021	34951-1631	34951-1641
MX150 ASSY BLD 2X10 BK A/15	334822035	A-BLACK	GCP	PLR	M-R	-	-	-	-	-	-	-	-	-	-	OBSOLETE	SEE 334822135	34950-2011	34950-2021	34951-1631	34951-1641
MX150 ASSY BLD 2X10 BK A/14	334822036	A-BLACK	GCP	PLR	M-R	-	-	-	-	-	-	7	-	9	-	OBSOLETE	SEE 334822136	34950-2011	34950-2021	34951-1631	34951-1641
MX150 ASSY BLD 2X10 BK A/18	334822037	A-BLACK	GCP	PLR	M-R	-	-	-	-	-	-	7	-	9	-	OBSOLETE	SEE 334822137	34950-2011	34950-2021	34951-1631	34951-1641
MX150 ASSY BLD 2X10 BK A/7	334822038	A-BLACK	GCP	PLR	M-R	1	2	3	4	5	6	7	8	9	10	OBSOLETE	SEE 334822138	34950-2011	34950-2021	34951-1631	34951-1641
MX150 ASSY BLD 2X10 BK A/9	334822039	A-BLACK	GCP	PLR	M-R	1	2	3	4	5	6	7	8	-	10	OBSOLETE	SEE 334822139	34950-2011	34950-2021	34951-1631	34951-1641
MX150 ASSY BLD 2X10 BK A/17	334822040	A-BLACK	GCP	PLR	M-R	-	-	-	-	-	-	7	-	-	-	OBSOLETE	SEE 334822140	34950-2011	34950-2021	34951-1631	34951-1641
MX150 ASSY BLD 2X10 YW A/20	334822041	A-YELLOW	GCO	PLR	M-R	-	-	-	-	-	-	-	-	-	-	OBSOLETE	SEE 334822141	34950-2011	34950-2021	34951-1631	34951-1641
MX150 ASSY BLD 2X10 BK A/15	334822042	A-BLACK	GCP	PLR	M-R	-	-	-	-	-	-	-	-	-	10	OBSOLETE	SEE 334822142	34950-2011	34950-2021	34951-1631	34951-1641
MX150 ASSY BLD 2X10 BK A/15	334822043	A-BLACK	GCP	PLR	M-R	-	2	-	4	-	-	-	-	-	-	OBSOLETE	SEE 334822143	34950-2011	34950-2021	34951-1631	34951-1641
MX150 ASSY BLD 2X10 BK A/18	334822044	A-BLACK	GCP	PLR	M-R	-	-	-	-	-	-	-	-	-	-	OBSOLETE	SEE 334822144	34950-2011	34950-2021	34951-1631	34951-1641
MX150 ASSY BLD 2X10 BK A/18	334822045	A-BLACK	GCP	PLR	M-R	-	-	-	-	-	-	-	-	9	10	OBSOLETE	SEE 334822145	34950-2011	34950-2021	34951-1631	34951-1641

**MX150 2X10 BLADE SEALED ASSEMBLY MAT SEAL  
BOM AND PIN OUT SHEET**

ASSEMBLY DESCRIPTION	ASSEMBLY PART NUMBER	COMPONENT				BLOCKED TERMINALS										STATUS	COMMENT	OPTIONAL ATTACHMENTS SOLD SEPARATELY													
		THE PRESENCE OF AN ABBREVIATION INDICATES THE PRESENCE OF THAT COMPONENT				CAVITY WITH A NUMBER INDICATES BLOCKED TERMINAL POSITION CAVITY WITHOUT A NUMBER INDICATES OPEN TERMINAL POSITION												BACKSHELL WITH RIBS	BACKSHELL WITHOUT RIBS	90° ADAPTOR WITH RIBS	90° ADAPTOR WITHOUT RIBS										
		HOUSING KEY/COLOR	GROMMET CAP	PLR	MAT SEAL	1	2	3	4	5	6	7	8	9	10							11	12	13	14	15	16	17	18	19	20
MX150 ASSY BLD 2X10 BK A/12	334822046	A-BLACK	GCP	PLR	M-R	-	-	-	-	-	-	-	-	-	-	-	-	-	-	-	-	-	-	-	-	OBSOLETE	SEE 334822146	34950-2011	34950-2021	34951-1631	34951-1641
MX150 ASSY BLD 2X10 BK A/10	334822047	A-BLACK	GCP	PLR	M-R	-	-	3	4	5	-	-	-	-	-	-	-	-	-	-	-	-	10	-	-	OBSOLETE	SEE 334822147	34950-2011	34950-2021	34951-1631	34951-1641
MX150 ASSY BLD 2X10 BK A/2	334822048	A-BLACK	GCP	PLR	M-R	1	2	3	4	5	6	7	8	9	-	-	-	-	-	-	-	-	-	-	-	OBSOLETE	SEE 334822148	34950-2011	34950-2021	34951-1631	34951-1641
MX150 ASSY BLD 2X10 BK A/11	334822049	A-BLACK	GCP	PLR	M-R	-	-	3	4	5	6	-	8	9	-	-	-	-	-	-	-	-	-	-	-	OBSOLETE	SEE 334822149	34950-2011	34950-2021	34951-1631	34951-1641
MX150 ASSY BLD 2X10 BK A/4	334822050	A-BLACK	GCP	PLR	M-R	1	2	3	4	5	6	-	-	-	-	-	-	-	-	-	-	-	-	-	-	OBSOLETE	SEE 334822150	34950-2011	34950-2021	34951-1631	34951-1641
MX150 ASSY BLD 2X10 BK A/10	334822051	A-BLACK	GCP	PLR	M-R	-	-	-	-	-	-	-	-	-	-	-	-	-	-	-	-	-	-	-	-	OBSOLETE	SEE 334822151	34950-2011	34950-2021	34951-1631	34951-1641
MX150 ASSY BLD 2X10 BK A/0	334822052	A-BLACK	GCP	PLR	M-R	1	2	3	4	5	6	7	8	9	10	-	-	-	-	-	-	-	-	-	-	OBSOLETE	SEE 334822152	34950-2011	34950-2021	34951-1631	34951-1641
MX150 ASSY BLD 2X10 BK A/14	334822053	A-BLACK	GCP	PLR	M-R	-	-	3	-	-	-	-	8	9	-	-	-	-	-	-	-	-	-	-	-	OBSOLETE	SEE 334822153	34950-2011	34950-2021	34951-1631	34951-1641
MX150 ASSY BLD 2X10 DG C/20	334822054	C-DARK GRAY	GCO	PLR	M-R	-	-	-	-	-	-	-	-	-	-	-	-	-	-	-	-	-	-	-	-	OBSOLETE	SEE 334822154	34950-2011	34950-2021	34951-1631	34951-1641
MX150 ASSY BLD 2X10 SG D/20	334822055	D-STONE GRAY	GCO	PLR	M-R	-	-	-	-	-	-	-	-	-	-	-	-	-	-	-	-	-	-	-	-	OBSOLETE	SEE 334822155	34950-2011	34950-2021	34951-1631	34951-1641
MX150 ASSY BLD 2X10 LG B/16	334822056	B-LIGHT GRAY	GCP	PLR	M-R	-	-	3	-	5	-	-	-	9	10	-	-	-	-	-	-	-	-	-	-	OBSOLETE	SEE 334822156	34950-2011	34950-2021	34951-1631	34951-1641
MX150 ASSY BLD 2X10 LG B/5	334822057	B-LIGHT GRAY	GCP	PLR	M-R	-	-	3	4	5	-	-	-	9	10	-	-	-	-	-	-	-	-	-	-	OBSOLETE	SEE 334822157	34950-2011	34950-2021	34951-1631	34951-1641
MX150 ASSY BLD 2X10 LG B/12	334822058	B-LIGHT GRAY	GCP	PLR	M-R	-	-	3	-	5	-	-	-	9	10	-	-	-	-	-	-	-	-	-	-	OBSOLETE	SEE 334822158	34950-2011	34950-2021	34951-1631	34951-1641
MX150 ASSY BLD 2X10 LG B/11	334822059	B-LIGHT GRAY	GCP	PLR	M-R	-	-	3	4	5	6	-	8	9	10	-	-	-	-	-	-	-	-	-	-	OBSOLETE	SEE 334822159	34950-2011	34950-2021	34951-1631	34951-1641
MX150 ASSY BLD 2X10 BK A/10	334822060	A-BLACK	GCP	PLR	M-R	-	-	-	4	5	-	-	8	-	-	-	-	-	-	-	-	-	-	-	-	OBSOLETE	SEE 334822160	34950-2011	34950-2021	34951-1631	34951-1641
MX150 ASSY BLD 2X10 BK A/12	334822061	A-BLACK	GCP	PLR	M-R	-	-	-	4	5	-	-	8	-	-	-	-	-	-	-	-	-	-	-	-	OBSOLETE	SEE 334822161	34950-2011	34950-2021	34951-1631	34951-1641
MX150 ASSY BLD 2X10 YW A/9	334822062	A-YELLOW	GCP	PLR	M-R	-	-	3	-	-	6	7	8	9	10	-	-	-	-	-	-	-	-	-	-	OBSOLETE	SEE 334822162	34950-2011	34950-2021	34951-1631	34951-1641
MX150 ASSY BLD 2X10 YW A/11	334822063	A-YELLOW	GCP	PLR	M-R	-	-	3	-	-	6	7	8	9	10	-	-	-	-	-	-	-	-	-	-	OBSOLETE	SEE 334822163	34950-2011	34950-2021	34951-1631	34951-1641
MX150 ASSY BLD 2X10 YW A/15	334822064	A-YELLOW	GCP	PLR	M-R	-	-	3	-	-	-	7	-	-	10	-	-	-	-	-	-	-	-	-	-	OBSOLETE	SEE 334822164	34950-2011	34950-2021	34951-1631	34951-1641
MX150 ASSY BLD 2X10 YW A/2	334822065	A-YELLOW	GCP	PLR	M-R	-	-	3	4	5	6	7	8	9	10	-	-	-	-	-	-	-	-	-	-	OBSOLETE	SEE 334822165	34950-2011	34950-2021	34951-1631	34951-1641
MX150 ASSY BLD 2X10 YW A/7	334822066	A-YELLOW	GCP	PLR	M-R	-	-	3	4	5	6	7	8	9	10	-	-	-	-	-	-	-	-	-	-	OBSOLETE	SEE 334822166	34950-2011	34950-2021	34951-1631	34951-1641
MX150 ASSY BLD 2X10 YW A/14	334822067	A-YELLOW	GCP	PLR	M-R	-	-	3	-	-	-	7	8	9	10	-	-	-	-	-	-	-	-	-	-	OBSOLETE	SEE 334822167	34950-2011	34950-2021	34951-1631	34951-1641
MX150 ASSY BLD 2X10 BK A/12	334822068	A-BLACK	GCP	PLR	M-R	-	-	3	4	5	-	7	-	-	-	-	-	-	-	-	-	-	-	-	-	OBSOLETE	SEE 334822168	34950-2011	34950-2021	34951-1631	34951-1641
MX150 ASSY BLD 2X10 BK A/14	334822069	A-BLACK	GCP	PLR	M-R	-	-	-	-	-	-	7	-	-	10	-	-	-	-	-	-	-	-	-	-	OBSOLETE	SEE 334822169	34950-2011	34950-2021	34951-1631	34951-1641
MX150 ASSY BLD 2X10 BK A/11	334822070	A-BLACK	GCP	PLR	M-R	-	2	3	4	5	-	-	-	-	-	-	-	-	-	-	-	-	-	-	-	OBSOLETE	SEE 334822170	34950-2011	34950-2021	34951-1631	34951-1641
MX150 ASSY BLD 2X10 BK A/17	334822071	A-BLACK	GCP	PLR	M-R	-	-	-	-	-	-	-	-	-	-	-	-	-	-	-	-	-	-	-	-	OBSOLETE	SEE 334822171	34950-2011	34950-2021	34951-1631	34951-1641
MX150 ASSY BLD 2X10 BK A/9	334822072	A-BLACK	GCP	PLR	M-R	1	2	3	4	5	6	7	8	-	-	-	-	-	-	-	-	-	-	-	-	OBSOLETE	SEE 334822172	34950-2011	34950-2021	34951-1631	34951-1641



**MX150 2X10 BLADE SEALED ASSEMBLY MAT SEAL**

**BOM AND PIN OUT SHEET**

ASSEMBLY DESCRIPTION	ASSEMBLY PART NUMBER	COMPONENT				BLOCKED TERMINALS										STATUS	COMMENT	OPTIONAL ATTACHMENTS SOLD SEPARATELY				
		THE PRESENCE OF AN ABBREVIATION INDICATES THE PRESENCE OF THAT COMPONENT				CAVITY WITH A NUMBER INDICATES BLOCKED TERMINAL POSITION CAVITY WITHOUT A NUMBER INDICATES OPEN TERMINAL POSITION												BACKSHELL WITH RIBS	BACKSHELL WITHOUT RIBS	90° ADAPTOR WITH RIBS	90° ADAPTOR WITHOUT RIBS	
		HOUSING KEY/COLOR	GROMMET CAP	PLR	MAT SEAL																	
MX150 ASSY BLD 2X10 BK A/18	334822073	A-BLACK	GCP	PLR	M-R	-	-	-	-	-	-	-	-	8	-	-	OBSOLETE	SEE 334822173	34950-2011	34950-2021	34951-1631	34951-1641
MX150 ASSY BLD 2X10 BK A/15	334822074	A-BLACK	GCP	PLR	M-R	1	-	-	-	-	-	-	-	8	-	10	OBSOLETE	SEE 334822174	34950-2011	34950-2021	34951-1631	34951-1641
MX150 ASSY BLD 2X10 BK A/14	334822075	A-BLACK	GCP	PLR	M-R	1	-	-	-	-	-	-	-	8	9	-	OBSOLETE	SEE 334822175	34950-2011	34950-2021	34951-1631	34951-1641
MX150 ASSY BLD 2X10 BK A/17	334822076	A-BLACK	GCP	PLR	M-R	11	-	-	-	-	-	-	-	-	19	20	OBSOLETE	SEE 334822176	34950-2011	34950-2021	34951-1631	34951-1641
MX150 ASSY BLD 2X10 BK A/16	334822077	A-BLACK	GCP	PLR	M-R	-	-	-	-	-	-	-	-	-	-	-	OBSOLETE	SEE 334822177	34950-2011	34950-2021	34951-1631	34951-1641
MX150 ASSY BLD 2X10 BK A/18	334822078	A-BLACK	GCP	PLR	M-R	-	-	-	4	-	-	-	-	-	-	-	OBSOLETE	SEE 334822178	34950-2011	34950-2021	34951-1631	34951-1641
MX150 ASSY BLD 2X10 BK A/6	334822079	A-BLACK	GCP	PLR	M-R	-	-	-	4	5	6	7	8	9	10	-	OBSOLETE	SEE 334822179	34950-2011	34950-2021	34951-1631	34951-1641
MX150 ASSY BLD 2X10 BK A/11	334822080	A-BLACK	GCP	PLR	M-R	-	-	-	14	15	16	17	18	19	20	-	OBSOLETE	SEE 334822180	34950-2011	34950-2021	34951-1631	34951-1641
MX150 ASSY BLD 2X10 BK A/9	334822081	A-BLACK	GCP	PLR	M-R	1	-	3	4	-	-	-	-	8	9	-	OBSOLETE	SEE 334822181	34950-2011	34950-2021	34951-1631	34951-1641
MX150 ASSY BLD 2X10 BK A/8	334822082	A-BLACK	GCP	PLR	M-R	11	-	13	14	-	-	-	-	18	19	20	OBSOLETE	SEE 334822182	34950-2011	34950-2021	34951-1631	34951-1641
MX150 ASSY BLD 2X10 BK A/13	334822083	A-BLACK	GCP	PLR	M-R	1	-	-	-	-	-	-	-	8	9	10	OBSOLETE	SEE 334822183	34950-2011	34950-2021	34951-1631	34951-1641
MX150 ASSY BLD 2X10 BK A/17	334822084	A-BLACK	GCP	PLR	M-R	11	-	-	-	-	-	-	-	-	19	20	OBSOLETE	SEE 334822184	34950-2011	34950-2021	34951-1631	34951-1641
MX150 ASSY BLD 2X10 BK A/18	334822085	A-BLACK	GCP	PLR	M-R	1	-	-	-	-	-	-	-	-	-	-	OBSOLETE	SEE 334822185	34950-2011	34950-2021	34951-1631	34951-1641
MX150 ASSY BLD 2X10 BK A/14	334822086	A-BLACK	GCP	PLR	M-R	-	2	3	-	5	-	-	-	-	-	-	OBSOLETE	SEE 334822186	34950-2011	34950-2021	34951-1631	34951-1641
MX150 ASSY BLD 2X10 BK A/16	334822087	A-BLACK	GCP	PLR	M-R	-	-	-	14	-	-	-	-	-	19	20	OBSOLETE	SEE 334822187	34950-2011	34950-2021	34951-1631	34951-1641
MX150 ASSY BLD 2X10 BK A/11	334822088	A-BLACK	GCP	PLR	M-R	1	-	-	-	5	6	7	8	-	-	-	OBSOLETE	SEE 334822188	34950-2011	34950-2021	34951-1631	34951-1641
MX150 ASSY BLD 2X10 BK A/5	334822089	A-BLACK	GCP	PLR	M-R	-	12	13	14	15	16	-	-	19	-	-	OBSOLETE	SEE 334822189	34950-2011	34950-2021	34951-1631	34951-1641
MX150 ASSY BLD 2X10 BK A/2	334822090	A-BLACK	GCP	PLR	M-R	1	2	3	4	5	6	7	8	9	10	-	OBSOLETE	SEE 334822190	34950-2011	34950-2021	34951-1631	34951-1641
MX150 ASSY BLD 2X10 BK A/20	334822101	A-BLACK	GCO	PLR	M-B	11	12	13	14	15	16	-	-	19	20	-	SALEABLE		34950-2011	34950-2021	34951-1631	34951-1641
MX150 ASSY BLD 2X10 LG B/20	334822102	B-LIGHT GRAY	GCO	PLR	M-B	-	-	-	-	-	-	-	-	-	-	-	SALEABLE		34950-2011	34950-2021	34951-1631	34951-1641
MX150 ASSY BLD 2X10 BR C/20	334822103	C-BROWN	GCO	PLR	M-B	-	-	-	-	-	-	-	-	-	-	-	NOT RECOMMENDED	SEE 334822154	34950-2011	34950-2021	34951-1631	34951-1641
MX150 ASSY BLD 2X10 GR D/20	334822104	D-GREEN	GCO	PLR	M-B	-	-	-	-	-	-	-	-	-	-	-	NOT RECOMMENDED	SEE 334822155	34950-2011	34950-2021	34951-1631	34951-1641
MX150 ASSY BLD 2X10 BK A/19	334822106	A-BLACK	GCP	PLR	M-B	-	-	-	-	-	-	-	-	-	-	-	SALEABLE		34950-2011	34950-2021	34951-1631	34951-1641
MX150 ASSY BLD 2X10 BK A/19	334822107	A-BLACK	GCP	PLR	M-B	11	-	-	-	-	-	-	-	-	-	-	SALEABLE		34950-2011	34950-2021	34951-1631	34951-1641
MX150 ASSY BLD 2X10 BK A/12	334822108	A-BLACK	GCP	PLR	M-B	-	-	-	4	5	6	7	-	-	-	-	SALEABLE		34950-2011	34950-2021	34951-1631	34951-1641
MX150 ASSY BLD 2X10 BK A/18	334822109	A-BLACK	GCP	PLR	M-B	-	-	-	14	15	16	17	-	-	-	-	SALEABLE		34950-2011	34950-2021	34951-1631	34951-1641
MX150 ASSY BLD 2X10 BK A/16	334822110	A-BLACK	GCP	PLR	M-B	-	-	-	-	-	-	7	-	-	-	-	SALEABLE		34950-2011	34950-2021	34951-1631	34951-1641
						11	12	-	-	-	-	-	-	-	20	-	SALEABLE		34950-2011	34950-2021	34951-1631	34951-1641

ASSEMBLY DESCRIPTION	ASSEMBLY PART NUMBER	COMPONENT				BLOCKED TERMINALS										STATUS	COMMENT	OPTIONAL ATTACHMENTS SOLD SEPARATELY								
		THE PRESENCE OF AN ABBREVIATION INDICATES THE PRESENCE OF THAT COMPONENT				CAVITY WITH A NUMBER INDICATES BLOCKED TERMINAL POSITION CAVITY WITHOUT A NUMBER INDICATES OPEN TERMINAL POSITION												BACKSHELL WITH RIBS	BACKSHELL WITHOUT RIBS	90° ADAPTOR WITH RIBS	90° ADAPTOR WITHOUT RIBS					
		HOUSING KEY/COLOR	GROMMET CAP	PLR	MAT SEAL	1	2	-	-	-	-	-	-	-	-							-	-	-	-	-
MX150 ASSY BLD 2X10 BK A/17	334822111	A-BLACK	GCP	PLR	M-B	1	2	-	-	-	-	-	-	-	-	-	-	-	-	-	SALEABLE		34950-2011	34950-2021	34951-1631	34951-1641
MX150 ASSY BLD 2X10 BK A/14	334822112	A-BLACK	GCP	PLR	M-B	1	2	-	-	-	-	-	-	-	-	-	-	-	-	-	SALEABLE		34950-2011	34950-2021	34951-1631	34951-1641
MX150 ASSY BLD 2X10 BK A/12	334822113	A-BLACK	GCP	PLR	M-B	1	2	-	-	-	-	-	-	-	-	-	-	-	-	-	SALEABLE		34950-2011	34950-2021	34951-1631	34951-1641
MX150 ASSY BLD 2X10 BK A/14	334822114	A-BLACK	GCP	PLR	M-B	-	-	3	4	5	-	-	-	-	-	-	-	-	-	-	SALEABLE		34950-2011	34950-2021	34951-1631	34951-1641
MX150 ASSY BLD 2X10 BK A/16	334822115	A-BLACK	GCP	PLR	M-B	-	-	3	4	5	-	-	-	-	-	-	-	-	-	-	SALEABLE		34950-2011	34950-2021	34951-1631	34951-1641
MX150 ASSY BLD 2X10 BK A/16	334822116	A-BLACK	GCP	PLR	M-B	-	2	-	-	-	-	-	-	-	-	-	-	-	-	-	SALEABLE		34950-2011	34950-2021	34951-1631	34951-1641
MX150 ASSY BLD 2X10 BK A/17	334822117	A-BLACK	GCP	PLR	M-B	-	-	-	-	-	-	-	-	-	-	-	-	-	-	-	SALEABLE		34950-2011	34950-2021	34951-1631	34951-1641
MX150 ASSY BLD 2X10 BK A/15	334822118	A-BLACK	GCP	PLR	M-B	-	-	-	-	-	-	-	-	-	-	-	-	-	-	-	SALEABLE		34950-2011	34950-2021	34951-1631	34951-1641
MX150 ASSY BLD 2X10 BK A/15	334822119	A-BLACK	GCP	PLR	M-B	-	-	3	4	-	-	-	-	-	-	-	-	-	-	-	SALEABLE		34950-2011	34950-2021	34951-1631	34951-1641
MX150 ASSY BLD 2X10 BK A/12	334822120	A-BLACK	GCP	PLR	M-B	-	-	3	4	5	-	-	-	-	-	-	-	-	-	-	SALEABLE		34950-2011	34950-2021	34951-1631	34951-1641
MX150 ASSY BLD 2X10 BK A/9	334822121	A-BLACK	GCP	PLR	M-B	1	2	3	4	5	-	-	-	-	-	-	-	-	-	-	SALEABLE		34950-2011	34950-2021	34951-1631	34951-1641
MX150 ASSY BLD 2X10 BK A/14	334822122	A-BLACK	GCP	PLR	M-B	-	-	3	4	-	-	-	-	-	-	-	-	-	-	-	SALEABLE		34950-2011	34950-2021	34951-1631	34951-1641
MX150 ASSY BLD 2X10 BK A/13	334822123	A-BLACK	GCP	PLR	M-B	-	-	-	-	-	-	-	-	-	-	-	-	-	-	-	SALEABLE		34950-2011	34950-2021	34951-1631	34951-1641
MX150 ASSY BLD 2X10 BK A/16	334822124	A-BLACK	GCP	PLR	M-B	-	-	-	-	-	-	-	-	-	-	-	-	-	-	-	SALEABLE		34950-2011	34950-2021	34951-1631	34951-1641
MX150 ASSY BLD 2X10 BK A/16	334822125	A-BLACK	GCP	PLR	M-B	-	-	-	-	-	-	-	-	-	-	-	-	-	-	-	SALEABLE		34950-2011	34950-2021	34951-1631	34951-1641
MX150 ASSY BLD 2X10 BK A/13	334822126	A-BLACK	GCP	PLR	M-B	-	-	-	4	5	-	-	-	-	-	-	-	-	-	-	SALEABLE		34950-2011	34950-2021	34951-1631	34951-1641
MX150 ASSY BLD 2X10 BK A/12	334822127	A-BLACK	GCP	PLR	M-B	-	-	-	4	5	-	-	-	-	-	-	-	-	-	-	SALEABLE		34950-2011	34950-2021	34951-1631	34951-1641
MX150 ASSY BLD 2X10 BK A/2	334822128	A-BLACK	GCP	PLR	M-B	1	-	3	4	5	6	7	8	9	10	-	-	-	-	-	SALEABLE		34950-2011	34950-2021	34951-1631	34951-1641
MX150 ASSY BLD 2X10 BK A/14	334822129	A-BLACK	GCP	PLR	M-B	-	-	-	4	5	6	7	-	-	-	-	-	-	-	-	SALEABLE		34950-2011	34950-2021	34951-1631	34951-1641
MX150 ASSY BLD 2X10 BK A/12	334822130	A-BLACK	GCP	PLR	M-B	-	-	3	4	5	-	-	-	-	-	-	-	-	-	-	SALEABLE		34950-2011	34950-2021	34951-1631	34951-1641
MX150 ASSY BLD 2X10 BK A/17	334822131	A-BLACK	GCP	PLR	M-B	-	-	-	4	-	-	7	-	-	-	-	-	-	-	-	SALEABLE		34950-2011	34950-2021	34951-1631	34951-1641
MX150 ASSY BLD 2X10 BK A/13	334822132	A-BLACK	GCP	PLR	M-B	-	-	3	4	5	-	-	-	-	-	-	-	-	-	-	SALEABLE		34950-2011	34950-2021	34951-1631	34951-1641
MX150 ASSY BLD 2X10 BK A/17	334822133	A-BLACK	GCP	PLR	M-B	-	-	-	-	-	-	-	-	-	-	-	-	-	-	-	SALEABLE		34950-2011	34950-2021	34951-1631	34951-1641
MX150 ASSY BLD 2X10 BK A/16	334822134	A-BLACK	GCP	PLR	M-B	-	-	-	-	-	-	-	-	-	-	-	-	-	-	-	SALEABLE		34950-2011	34950-2021	34951-1631	34951-1641
MX150 ASSY BLD 2X10 BK A/15	334822135	A-BLACK	GCP	PLR	M-B	-	-	-	-	-	-	-	-	-	-	-	-	-	-	-	SALEABLE		34950-2011	34950-2021	34951-1631	34951-1641
MX150 ASSY BLD 2X10 BK A/14	334822136	A-BLACK	GCP	PLR	M-B	-	-	-	-	-	-	7	-	9	-	-	-	-	-	-	SALEABLE		34950-2011	34950-2021	34951-1631	34951-1641
MX150 ASSY BLD 2X10 BK A/18	334822137	A-BLACK	GCP	PLR	M-B	-	-	-	-	-	-	7	-	9	-	-	-	-	-	-	SALEABLE		34950-2011	34950-2021	34951-1631	34951-1641

**MX150 2X10 BLADE SEALED ASSEMBLY MAT SEAL  
BOM AND PIN OUT SHEET**

ASSEMBLY DESCRIPTION	ASSEMBLY PART NUMBER	COMPONENT				BLOCKED TERMINALS										STATUS	COMMENT	OPTIONAL ATTACHMENTS SOLD SEPARATELY			
		THE PRESENCE OF AN ABBREVIATION INDICATES THE PRESENCE OF THAT COMPONENT				CAVITY WITH A NUMBER INDICATES BLOCKED TERMINAL POSITION CAVITY WITHOUT A NUMBER INDICATES OPEN TERMINAL POSITION												BACKSHELL WITH RIBS	BACKSHELL WITHOUT RIBS	90° ADAPTOR WITH RIBS	90° ADAPTOR WITHOUT RIBS
		HOUSING KEY/COLOR	GROMMET CAP	PLR	MAT SEAL																
MX150 ASSY BLD 2X10 BK A/7	334822138	A-BLACK	GCP	PLR	M-B	1	2	3	4	5	6	7	8	9	10	SALEABLE		34950-2011	34950-2021	34951-1631	34951-1641
						-	12	-	-	-	-	17	-	19	-						
MX150 ASSY BLD 2X10 BK A/9	334822139	A-BLACK	GCP	PLR	M-B	1	2	3	4	5	6	7	8	-	10	SALEABLE		34950-2011	34950-2021	34951-1631	34951-1641
						-	-	-	-	-	-	17	-	19	-						
MX150 ASSY BLD 2X10 BK A/17	334822140	A-BLACK	GCP	PLR	M-B	-	-	-	-	-	-	7	-	-	-	SALEABLE		34950-2011	34950-2021	34951-1631	34951-1641
						-	-	-	-	-	-	17	-	-	20						
MX150 ASSY BLD 2X10 YW A/20	334822141	A-YELLOW	GCO	PLR	M-B	-	-	-	-	-	-	-	-	-	-	SALEABLE		34950-2011	34950-2021	34951-1631	34951-1641
						-	-	-	-	-	-	-	-	-	-						
MX150 ASSY BLD 2X10 BK A/15	334822142	A-BLACK	GCP	PLR	M-B	-	-	-	-	-	-	-	-	-	10	SALEABLE		34950-2011	34950-2021	34951-1631	34951-1641
						-	-	-	14	-	-	17	18	19	-						
MX150 ASSY BLD 2X10 BK A/15	334822143	A-BLACK	GCP	PLR	M-B	-	2	-	4	-	-	-	-	-	-	SALEABLE		34950-2011	34950-2021	34951-1631	34951-1641
						11	12	-	14	-	-	-	-	-	-						
MX150 ASSY BLD 2X10 BK A/18	334822144	A-BLACK	GCP	PLR	M-B	-	-	-	-	-	-	-	-	-	-	SALEABLE		34950-2011	34950-2021	34951-1631	34951-1641
						-	-	-	-	-	-	-	18	19	-						
MX150 ASSY BLD 2X10 BK A/18	334822145	A-BLACK	GCP	PLR	M-B	-	-	-	-	-	-	-	-	9	10	SALEABLE		34950-2011	34950-2021	34951-1631	34951-1641
						-	-	-	-	-	-	-	-	-	-						
MX150 ASSY BLD 2X10 BK A/12	334822146	A-BLACK	GCP	PLR	M-B	1	-	-	-	-	-	-	-	-	-	SALEABLE		34950-2011	34950-2021	34951-1631	34951-1641
						-	12	-	-	15	16	17	18	19	20						
MX150 ASSY BLD 2X10 BK A/10	334822147	A-BLACK	GCP	PLR	M-B	-	-	3	4	5	-	-	-	-	10	SALEABLE		34950-2011	34950-2021	34951-1631	34951-1641
						-	-	13	14	15	-	17	18	19	-						
MX150 ASSY BLD 2X10 BK A/2	334822148	A-BLACK	GCP	PLR	M-B	1	2	3	4	5	6	7	8	9	-	SALEABLE		34950-2011	34950-2021	34951-1631	34951-1641
						11	12	13	14	15	16	-	18	19	20						
MX150 ASSY BLD 2X10 BK A/11	334822149	A-BLACK	GCP	PLR	M-B	-	-	3	4	5	6	-	8	9	-	SALEABLE		34950-2011	34950-2021	34951-1631	34951-1641
						-	-	-	-	-	-	-	18	19	20						
MX150 ASSY BLD 2X10 BK A/4	334822150	A-BLACK	GCP	PLR	M-B	1	2	3	4	5	6	-	-	-	-	SALEABLE		34950-2011	34950-2021	34951-1631	34951-1641
						11	12	13	14	15	16	17	18	19	20						
MX150 ASSY BLD 2X10 BK A/10	334822151	A-BLACK	GCP	PLR	M-B	-	-	-	-	-	-	-	-	-	-	SALEABLE		34950-2011	34950-2021	34951-1631	34951-1641
						11	12	13	14	15	16	17	18	19	20						
MX150 ASSY BLD 2X10 BK A/0	334822152	A-BLACK	GCP	PLR	M-B	1	2	3	4	5	6	7	8	9	10	SALEABLE		34950-2011	34950-2021	34951-1631	34951-1641
						11	12	13	14	15	16	17	18	19	20						
MX150 ASSY BLD 2X10 BK A/14	334822153	A-BLACK	GCP	PLR	M-B	-	-	3	-	-	-	-	8	9	-	SALEABLE		34950-2011	34950-2021	34951-1631	34951-1641
						-	-	-	-	-	-	-	18	19	20						
MX150 ASSY BLD 2X10 DG C/20	334822154	C-DARK GRAY	GCO	PLR	M-B	-	-	-	-	-	-	-	-	-	-	SALEABLE		34950-2011	34950-2021	34951-1631	34951-1641
						-	-	-	-	-	-	-	-	-	-						
MX150 ASSY BLD 2X10 SG D/20	334822155	D-STONE GRAY	GCO	PLR	M-B	-	-	-	-	-	-	-	-	-	-	SALEABLE		34950-2011	34950-2021	34951-1631	34951-1641
						-	-	-	-	-	-	-	-	-	-						
MX150 ASSY BLD 2X10 LG B/16	334822156	B-LIGHT GRAY	GCP	PLR	M-B	-	-	3	-	5	-	-	-	9	10	SALEABLE		34950-2011	34950-2021	34951-1631	34951-1641
						-	-	-	-	-	-	-	-	-	-						
MX150 ASSY BLD 2X10 LG B/5	334822157	B-LIGHT GRAY	GCP	PLR	M-B	-	-	3	4	5	-	-	-	9	10	SALEABLE		34950-2011	34950-2021	34951-1631	34951-1641
						11	12	13	14	15	16	17	18	19	20						
MX150 ASSY BLD 2X10 LG B/12	334822158	B-LIGHT GRAY	GCP	PLR	M-B	-	-	3	-	5	-	-	-	9	10	SALEABLE		34950-2011	34950-2021	34951-1631	34951-1641
						11	12	13	14	-	-	-	-	-	-						
MX150 ASSY BLD 2X10 LG B/11	334822159	B-LIGHT GRAY	GCP	PLR	M-B	-	-	3	4	5	6	-	8	9	10	SALEABLE		34950-2011	34950-2021	34951-1631	34951-1641
						-	-	-	14	-	-	-	-	19	-						
MX150 ASSY BLD 2X10 BK A/10	334822160	A-BLACK	GCP	PLR	M-B	-	-	-	4	5	-	-	8	-	-	SALEABLE		34950-2011	34950-2021	34951-1631	34951-1641
						-	12	-	-	15	16	17	18	19	20						
MX150 ASSY BLD 2X10 BK A/12	334822161	A-BLACK	GCP	PLR	M-B	-	-	-	4	5	-	-	8	-	-	SALEABLE		34950-2011	34950-2021	34951-1631	34951-1641
						-	12	-	-	-	-	17	18	19	20						
MX150 ASSY BLD 2X10 YW A/9	334822162	A-YELLOW	GCP	PLR	M-B	-	-	3	-	-	6	7	8	9	10	SALEABLE		34950-2011	34950-2021	34951-1631	34951-1641
						11	12	13	14	-	-	-	18	-	-						
MX150 ASSY BLD 2X10 YW A/11	334822163	A-YELLOW	GCP	PLR	M-B	-	-	3	-	-	6	7	8	9	10	SALEABLE		34950-2011	34950-2021	34951-1631	34951-1641
						-	12	13	14	-	-	-	-	-	-						
MX150 ASSY BLD 2X10 YW A/15	334822164	A-YELLOW	GCP	PLR	M-B	-	-	3	-	-	-	7	-	-	10	SALEABLE		34950-2011	34950-2021	34951-1631	34951-1641
						-	-	-	14	15	-	-	-	-	-						





MX150 2X10 BLADE SEALED ASSEMBLY MAT SEAL  
BOM AND PIN OUT SHEET

ASSEMBLY DESCRIPTION	ASSEMBLY PART NUMBER	COMPONENT				BLOCKED TERMINALS										STATUS	COMMENT	OPTIONAL ATTACHMENTS SOLD SEPARATELY			
		THE PRESENCE OF AN ABBREVIATION INDICATES THE PRESENCE OF THAT COMPONENT				CAVITY WITH A NUMBER INDICATES BLOCKED TERMINAL POSITION CAVITY WITHOUT A NUMBER INDICATES OPEN TERMINAL POSITION												BACKSHELL WITH RIBS	BACKSHELL WITHOUT RIBS	90° ADAPTOR WITH RIBS	90° ADAPTOR WITHOUT RIBS
		HOUSING KEY/COLOR	GROMMET CAP	PLR	MAT SEAL																
MX150 ASSY BLD 2X10 BK A/14	334822192	A-BLACK	GCP	PLR	M-B	-	2	-	-	-	-	-	8	-	-	SALEABLE		34950-2011	34950-2021	34951-1631	34951-1641
						-	-	13	-	-	16	-	-	19	20						
MX150 ASSY BLD 2X10 BK A/6	334822193	A-BLACK	GCP	PLR	M-B	1	2	3	4	5	6	7	8	9	10	SALEABLE		34950-2011	34950-2021	34951-1631	34951-1641
						-	-	13	-	-	16	-	-	19	20						
MX150 ASSY BLD 2X10 BK A/7	334822194	A-BLACK	GCP	PLR	M-B	1	2	3	4	5	6	-	8	9	10	SALEABLE		34950-2011	34950-2021	34951-1631	34951-1641
						-	-	13	-	-	16	-	-	19	20						
MX150 ASSY BLD 2X10 BK A/15	334822195	A-BLACK	GCP	PLR	M-B	-	2	-	-	-	-	-	-	-	-	SALEABLE		34950-2011	34950-2021	34951-1631	34951-1641
						-	-	13	-	-	16	-	-	19	20						
MX150 ASSY BLD 2X10 LG B/9	334822196	B-LIGHT GRAY	GCP	PLR	M-B	1	2	3	4	5	6	7	8	-	-	SALEABLE		34950-2011	34950-2021	34951-1631	34951-1641
						11	-	-	-	-	-	17	-	19	-						
MX150 ASSY BLD 2X10 LG B/17	334822197	B-LIGHT GRAY	GCP	PLR	M-B	-	-	-	-	-	-	-	-	-	-	SALEABLE		34950-2011	34950-2021	34951-1631	34951-1641
						11	-	-	-	-	-	17	-	19	-						
MX150 ASSY BLD 2X10 BK A/12	334822198	A-BLACK	GCP	PLR	M-B	1	2	3	-	-	-	7	-	9	-	SALEABLE		34950-2011	34950-2021	34951-1631	34951-1641
						-	-	-	-	-	16	-	-	19	20						
MX150 ASSY BLD 2X10 BK A/6	334822199	A-BLACK	GCP	PLR	M-B	1	2	3	4	5	-	7	8	9	-	SALEABLE		34950-2011	34950-2021	34951-1631	34951-1641
						-	-	13	14	15	16	-	-	19	20						
MX150 ASSY BLD 2X10 BK A/8	334822200	A-BLACK	GCP	PLR	M-B	1	2	3	4	5	-	-	-	-	-	SALEABLE		34950-2011	34950-2021	34951-1631	34951-1641
						11	12	-	14	-	-	17	18	19	20						
MX150 ASSY BLD 2X10 BK A/12	334822201	A-BLACK	GCP	PLR	M-B	1	2	-	-	-	-	-	-	9	10	SALEABLE		34950-2011	34950-2021	34951-1631	34951-1641
						11	-	-	-	15	-	-	-	19	20						
MX150 ASSY BLD 2X10 BK A/12	334822202	A-BLACK	GCP	PLR	M-B	-	2	3	4	5	-	-	8	9	-	SALEABLE		34950-2011	34950-2021	34951-1631	34951-1641
						-	-	-	-	-	16	-	-	-	20						
MX150 ASSY BLD 2X10 BK A/14	334822203	A-BLACK	GCP	PLR	M-B	1	2	3	-	-	-	-	-	9	-	SALEABLE		34950-2011	34950-2021	34951-1631	34951-1641
						-	-	-	-	-	-	-	-	19	20						
MX150 ASSY BLD 2X10 BK A/11	334822204	A-BLACK	GCP	PLR	M-B	-	-	-	4	5	6	-	-	-	-	SALEABLE		34950-2011	34950-2021	34951-1631	34951-1641
						-	12	-	-	15	16	17	18	19	-						
MX150 ASSY BLD 2X10 LG B/12	334822205	B-LIGHT GRAY	GCP	PLR	M-B	-	-	3	4	5	-	-	8	9	10	SALEABLE		34950-2011	34950-2021	34951-1631	34951-1641
						-	-	-	14	-	-	-	-	19	-						
MX150 ASSY BLD 2X10 BK A/10	334822206	A-BLACK	GCP	PLR	M-B	1	2	3	4	5	6	-	-	-	-	SALEABLE		34950-2011	34950-2021	34951-1631	34951-1641
						-	-	-	-	-	-	17	18	19	20						
MX150 ASSY BLD 2X10 LG B/15	334822207	B-LIGHT GRAY	GCP	PLR	M-B	-	-	-	4	5	6	-	-	9	10	SALEABLE		34950-2011	34950-2021	34951-1631	34951-1641
						-	-	-	-	-	-	-	-	-	-						
MX150 ASSY BLD 2X10 LG B/17	334822208	B-LIGHT GRAY	GCP	PLR	M-B	-	-	-	-	-	-	-	-	9	10	SALEABLE		34950-2011	34950-2021	34951-1631	34951-1641
						11	-	-	-	-	-	-	-	-	-						
MX150 ASSY BLD 2X10 LG B/13	334822209	B-LIGHT GRAY	GCP	PLR	M-B	-	-	-	4	5	6	7	-	-	10	SALEABLE		34950-2011	34950-2021	34951-1631	34951-1641
						-	-	-	-	-	-	17	18	-	-						
MX150 ASSY BLD 2X10 BK A/13	334822210	A-BLACK	GCP	PLR	M-B	1	-	-	-	-	-	-	-	9	10	SALEABLE		34950-2011	34950-2021	34951-1631	34951-1641
						11	12	-	-	-	16	-	-	-	20						
MX150 ASSY BLD 2X10 BK A/12	334822211	A-BLACK	GCP	PLR	M-B	1	2	-	-	-	-	7	-	-	10	SALEABLE		34950-2011	34950-2021	34951-1631	34951-1641
						11	12	-	-	-	-	-	18	-	20						
MX150 ASSY BLD 2X10 BK A/17	334822213	A-BLACK	GCP	PLR	M-B	-	-	-	-	-	-	-	-	-	-	SALEABLE		34950-2011	34950-2021	34951-1631	34951-1641
						-	-	13	-	-	-	-	-	19	20						
MX150 ASSY BLD 2X10 BK A/19	334822214	A-BLACK	GCP	PLR	M-B	-	-	-	-	-	-	-	-	-	-	SALEABLE		34950-2011	34950-2021	34951-1631	34951-1641
						-	-	-	-	-	16	-	-	-	-						
MX150 ASSY BLD 2X10 BK A/15	334822215	A-BLACK	GCP	PLR	M-B	-	2	-	-	-	-	8	-	10	-	SALEABLE		34950-2011	34950-2021	34951-1631	34951-1641
						-	-	-	-	-	-	17	-	19	-						
MX150 ASSY BLD 2X10 BK A/18	334822216	A-BLACK	GCP	PLR	M-B	-	-	-	-	-	-	-	-	-	-	SALEABLE		34950-2011	34950-2021	34951-1631	34951-1641
						-	-	-	-	-	16	-	-	-	20						
MX150 ASSY BLD 2X10 BK A/16	334822217	A-BLACK	GCP	PLR	M-B	-	-	-	-	-	-	7	-	-	-	SALEABLE		34950-2011	34950-2021	34951-1631	34951-1641
						-	12	-	-	-	-	17	-	-	20						
MX150 ASSY BLD 2X10 BK A/12	334822218	A-BLACK	GCP	PLR	M-B	1	2	3	4	5	6	-	-	-	-	SALEABLE		34950-2011	34950-2021	34951-1631	34951-1641
						-	-	-	-	-	-	-	-	19	20						
MX150 ASSY BLD 2X10 BK A/18	334822219	A-BLACK	GCP	PLR	M-B	-	-	-	-	-	6	-	-	-	-	SALEABLE		34950-2011	34950-2021	34951-1631	34951-1641
						-	-	-	-	-	-	-	-	-	20						



ASSEMBLY DESCRIPTION	ASSEMBLY PART NUMBER	COMPONENT				BLOCKED TERMINALS										STATUS	COMMENT	OPTIONAL ATTACHMENTS SOLD SEPARATELY					
		THE PRESENCE OF AN ABBREVIATION INDICATES THE PRESENCE OF THAT COMPONENT				CAVITY WITH A NUMBER INDICATES BLOCKED TERMINAL POSITION CAVITY WITHOUT A NUMBER INDICATES OPEN TERMINAL POSITION												BACKSHELL WITH RIBS	BACKSHELL WITHOUT RIBS	90° ADAPTOR WITH RIBS	90° ADAPTOR WITHOUT RIBS		
		HOUSING KEY/COLOR	GROMMET CAP	PLR	MAT SEAL	1	2	3	4	5	6	7	8	9	10							11	12
MX150 ASSY BLD 2X10 BK A/10	334822220	A-BLACK	GCP	PLR	M-B	1	-	3	-	5	-	7	-	9	-	SALEABLE		34950-2011	34950-2021	34951-1631	34951-1641		
MX150 ASSY BLD 2X10 BK A/10	334822221	A-BLACK	GCP	PLR	M-B	-	2	-	4	-	6	-	8	-	10	SALEABLE		34950-2011	34950-2021	34951-1631	34951-1641		
MX150 ASSY BLD 2X10 BK A/14	334822222	A-BLACK	GCP	PLR	M-B	1	2	3	-	-	-	-	-	9	-	SALEABLE		34950-2011	34950-2021	34951-1631	34951-1641		
MX150 ASSY BLD 2X10 BK A/17	334822223	A-BLACK	GCP	PLR	M-B	-	-	-	-	-	7	-	-	-	-	SALEABLE		34950-2011	34950-2021	34951-1631	34951-1641		
MX150 ASSY BLD 2X10 BK A/15	334822224	A-BLACK	GCP	PLR	M-B	-	-	-	-	-	-	-	-	-	10	SALEABLE		34950-2011	34950-2021	34951-1631	34951-1641		
MX150 ASSY BLD 2X10 BK A/8	334822225	A-BLACK	GCP	PLR	M-B	1	2	3	4	5	6	-	8	-	10	SALEABLE		34950-2011	34950-2021	34951-1631	34951-1641		
MX150 ASSY BLD 2X10 LG B/16	334822226	B-LIGHT GRAY	GCP	PLR	M-B	-	-	-	-	-	-	-	-	-	-	SALEABLE		34950-2011	34950-2021	34951-1631	34951-1641		
MX150 ASSY BLD 2X10 BK A/12	334822227	A-BLACK	GCP	PLR	M-B	-	-	3	-	-	-	-	-	-	10	SALEABLE		34950-2011	34950-2021	34951-1631	34951-1641		
MX150 ASSY BLD 2X10 BK A/6	334822228	A-BLACK	GCP	PLR	M-B	-	-	3	4	5	6	7	8	9	10	SALEABLE		34950-2011	34950-2021	34951-1631	34951-1641		
MX150 ASSY BLD 2X10 BK A/7	334822229	A-BLACK	GCP	PLR	M-B	-	-	3	4	5	6	7	8	9	10	SALEABLE		34950-2011	34950-2021	34951-1631	34951-1641		
MX150 ASSY BLD 2X10 BK A/13	334822230	A-BLACK	GCP	PLR	M-B	-	-	3	-	-	-	-	-	-	10	SALEABLE		34950-2011	34950-2021	34951-1631	34951-1641		
MX150 ASSY BLD 2X10 BK A/10	334822231	A-BLACK	GCP	PLR	M-B	1	2	3	4	5	6	-	8	-	10	SALEABLE		34950-2011	34950-2021	34951-1631	34951-1641		
MX150 ASSY BLD 2X10 BK A/18	334822232	A-BLACK	GCP	PLR	M-B	-	-	-	-	-	-	-	-	-	-	SALEABLE		34950-2011	34950-2021	34951-1631	34951-1641		
MX150 ASSY BLD 2X10 LG B/7	334822233	B-LIGHT GRAY	GCP	PLR	M-B	1	2	3	4	5	6	7	8	-	-	SALEABLE		34950-2011	34950-2021	34951-1631	34951-1641		
MX150 ASSY BLD 2X10 LG B/15	334822234	B-LIGHT GRAY	GCP	PLR	M-B	-	-	-	-	-	-	-	-	-	-	SALEABLE		34950-2011	34950-2021	34951-1631	34951-1641		
MX150 ASSY BLD 2X10 LG B/15	334822235	B-LIGHT GRAY	GCP	PLR	M-B	-	2	3	-	-	-	-	-	-	-	SALEABLE		34950-2011	34950-2021	34951-1631	34951-1641		
MX150 ASSY BLD 2X10 BK A/8	334822236	A-BLACK	GCP	PLR	M-B	-	-	3	4	-	6	7	8	9	-	SALEABLE		34950-2011	34950-2021	34951-1631	34951-1641		
MX150 ASSY BLD 2X10 BK A/13	334822237	A-BLACK	GCP	PLR	M-B	-	-	3	4	5	6	7	-	-	-	SALEABLE		34950-2011	34950-2021	34951-1631	34951-1641		
MX150 ASSY BLD 2X10 BK A/17	334822238	A-BLACK	GCP	PLR	M-B	-	-	-	-	5	-	-	-	-	-	SALEABLE		34950-2011	34950-2021	34951-1631	34951-1641		
MX150 ASSY BLD 2X10 BK A/11	334822239	A-BLACK	GCP	PLR	M-B	-	-	3	4	5	6	7	-	-	10	SALEABLE		34950-2011	34950-2021	34951-1631	34951-1641		
MX150 ASSY BLD 2X10 BK A/15	334822240	A-BLACK	GCP	PLR	M-B	-	-	-	-	5	-	-	-	-	10	SALEABLE		34950-2011	34950-2021	34951-1631	34951-1641		
MX150 ASSY BLD 2X10 BK A/6	334822241	A-BLACK	GCP	PLR	M-B	-	-	3	4	-	6	7	8	9	10	SALEABLE		34950-2011	34950-2021	34951-1631	34951-1641		
MX150 ASSY BLD 2X10 BK A/12	334822242	A-BLACK	GCP	PLR	M-B	1	2	3	4	5	6	-	8	-	10	SALEABLE		34950-2011	34950-2021	34951-1631	34951-1641		
MX150 ASSY BLD 2X10 BK A/6	334822243	A-BLACK	GCP	PLR	M-B	1	2	3	-	-	-	-	8	9	-	SALEABLE		34950-2011	34950-2021	34951-1631	34951-1641		
MX150 ASSY BLD 2X10 BK A/4	334822244	A-BLACK	GCP	PLR	M-B	1	2	3	-	-	-	7	8	9	10	SALEABLE		34950-2011	34950-2021	34951-1631	34951-1641		
MX150 ASSY BLD 2X10 BK A/6	334822245	A-BLACK	GCP	PLR	M-B	-	2	3	-	-	-	7	8	9	10	SALEABLE		34950-2011	34950-2021	34951-1631	34951-1641		
MX150 ASSY BLD 2X10 BK A/4	334822246	A-BLACK	GCP	PLR	M-B	1	2	3	4	5	-	-	8	9	-	SALEABLE		34950-2011	34950-2021	34951-1631	34951-1641		

ASSEMBLY DESCRIPTION	ASSEMBLY PART NUMBER	COMPONENT				BLOCKED TERMINALS										STATUS	COMMENT	OPTIONAL ATTACHMENTS SOLD SEPARATELY			
		THE PRESENCE OF AN ABBREVIATION INDICATES THE PRESENCE OF THAT COMPONENT				CAVITY WITH A NUMBER INDICATES BLOCKED TERMINAL POSITION CAVITY WITHOUT A NUMBER INDICATES OPEN TERMINAL POSITION												BACKSHELL WITH RIBS	BACKSHELL WITHOUT RIBS	90° ADAPTOR WITH RIBS	90° ADAPTOR WITHOUT RIBS
		HOUSING KEY/COLOR	GROMMET CAP	PLR	MAT SEAL	1	2	3	4	5	6	7	8	9	10						
MX150 ASSY BLD 2X10 BK A/2	334822247	A-BLACK	GCP	PLR	M-B	1	2	3	4	5	-	7	8	9	10	SALEABLE		34950-2011	34950-2021	34951-1631	34951-1641
						-	12	13	14	15	16	17	18	19	20						
MX150 ASSY BLD 2X10 BK A/10	334822248	A-BLACK	GCP	PLR	M-B	-	2	-	-	-	-	-	8	-	-	SALEABLE		34950-2011	34950-2021	34951-1631	34951-1641
						-	12	13	14	15	-	17	18	19	20						
MX150 ASSY BLD 2X10 BK A/14	334822249	A-BLACK	GCP	PLR	M-B	-	2	-	-	-	-	-	8	-	-	SALEABLE		34950-2011	34950-2021	34951-1631	34951-1641
						-	-	-	-	-	-	17	18	19	20						
MX150 ASSY BLD 2X10 BK A/12	334822250	A-BLACK	GCP	PLR	M-B	-	-	-	-	-	-	-	-	-	-	SALEABLE		34950-2011	34950-2021	34951-1631	34951-1641
						-	12	13	14	15	-	17	18	19	20						
MX150 ASSY BLD 2X10 BK A/8	334822251	A-BLACK	GCP	PLR	M-B	1	2	3	4	5	6	7	8	-	-	SALEABLE		34950-2011	34950-2021	34951-1631	34951-1641
						-	-	-	-	-	-	17	18	19	20						
MX150 ASSY BLD 2X10 BK A/4	334822252	A-BLACK	GCP	PLR	M-B	1	2	3	4	5	6	7	8	-	-	SALEABLE		34950-2011	34950-2021	34951-1631	34951-1641
						-	12	13	14	15	-	17	18	19	20						
MX150 ASSY BLD 2X10 BK A/11	334822253	A-BLACK	GCP	PLR	M-B	1	2	3	-	-	-	-	-	9	10	SALEABLE		34950-2011	34950-2021	34951-1631	34951-1641
						11	12	-	-	-	16	-	-	-	20						
MX150 ASSY BLD 2X10 BK A/13	334822254	A-BLACK	GCP	PLR	M-B	1	-	-	-	-	-	-	-	9	10	SALEABLE		34950-2011	34950-2021	34951-1631	34951-1641
						11	-	-	-	-	16	-	-	19	20						
MX150 ASSY BLD 2X10 BK A/7	334822255	A-BLACK	GCP	PLR	M-B	1	2	3	4	5	-	7	8	9	-	SALEABLE		34950-2011	34950-2021	34951-1631	34951-1641
						-	-	-	-	-	16	17	18	19	20						
MX150 ASSY BLD 2X10 BK A/9	334822256	A-BLACK	GCP	PLR	M-B	1	2	3	-	-	-	7	-	9	-	SALEABLE		34950-2011	34950-2021	34951-1631	34951-1641
						-	-	13	14	15	16	-	-	19	20						
MX150 ASSY BLD 2X10 BK A/9	334822257	A-BLACK	GCP	PLR	M-B	1	2	3	4	5	-	7	8	9	-	SALEABLE		34950-2011	34950-2021	34951-1631	34951-1641
						-	-	-	-	-	16	-	-	19	20						
MX150 ASSY BLD 2X10 BK A/9	334822258	A-BLACK	GCP	PLR	M-B	1	2	3	-	-	-	7	-	9	10	SALEABLE		34950-2011	34950-2021	34951-1631	34951-1641
						11	12	-	-	-	16	-	-	19	20						
MX150 ASSY BLD 2X10 BK A/10	334822259	A-BLACK	GCP	PLR	M-B	1	2	3	4	5	6	-	8	9	-	SALEABLE		34950-2011	34950-2021	34951-1631	34951-1641
						-	-	-	-	-	16	-	-	-	20						
MX150 ASSY BLD 2X10 BK A/7	334822260	A-BLACK	GCP	PLR	M-B	1	2	3	-	-	6	-	-	9	10	SALEABLE		34950-2011	34950-2021	34951-1631	34951-1641
						11	12	13	14	15	16	-	-	-	20						
MX150 ASSY BLD 2X10 BK A/14	334822261	A-BLACK	GCP	PLR	M-B	-	2	-	-	-	-	-	8	-	10	SALEABLE		34950-2011	34950-2021	34951-1631	34951-1641
						11	-	-	-	15	16	-	-	-	-						
MX150 ASSY BLD 2X10 BK A/18	334822262	A-BLACK	GCP	PLR	M-B	-	2	-	-	-	-	-	8	-	-	SALEABLE		34950-2011	34950-2021	34951-1631	34951-1641
						-	-	-	-	-	-	-	-	-	-						
MX150 ASSY BLD 2X10 BK A/7	334822263	A-BLACK	GCP	PLR	M-B	1	2	3	4	5	6	7	8	-	10	SALEABLE		34950-2011	34950-2021	34951-1631	34951-1641
						-	-	-	14	15	-	17	-	19	-						
MX150 ASSY BLD 2X10 BK A/19	334822264	A-BLACK	GCP	PLR	M-B	-	-	-	-	5	-	-	-	-	-	SALEABLE		34950-2011	34950-2021	34951-1631	34951-1641
						-	-	-	-	-	-	-	-	-	-						
MX150 ASSY BLD 2X10 BK A/18	334822265	A-BLACK	GCP	PLR	M-B	-	-	-	-	-	-	-	-	-	-	SALEABLE		34950-2011	34950-2021	34951-1631	34951-1641
						-	-	-	-	-	-	17	18	-	-						
MX150 ASSY BLD 2X10 BK A/14	334822266	A-BLACK	GCP	PLR	M-B	-	-	3	-	-	-	-	-	-	-	SALEABLE		34950-2011	34950-2021	34951-1631	34951-1641
						-	-	-	-	-	16	17	18	19	20						
MX150 ASSY BLD 2X10 BK A/9	334822267	A-BLACK	GCP	PLR	M-B	1	-	3	-	-	-	7	-	-	10	SALEABLE		34950-2011	34950-2021	34951-1631	34951-1641
						-	12	13	14	15	-	17	18	19	-						
MX150 ASSY BLD 2X10 BK A/13	334822268	A-BLACK	GCP	PLR	M-B	1	-	-	-	-	-	7	-	-	10	SALEABLE		34950-2011	34950-2021	34951-1631	34951-1641
						-	12	13	-	-	-	17	18	-	-						
MX150 ASSY BLD 2X10 BK A/10	334822269	A-BLACK	GCP	PLR	M-B	1	2	-	-	-	-	-	8	9	10	SALEABLE		34950-2011	34950-2021	34951-1631	34951-1641
						-	12	13	-	-	16	17	18	-	-						
MX150 ASSY BLD 2X10 BK A/8	334822270	A-BLACK	GCP	PLR	M-B	1	2	-	4	5	-	-	8	9	10	SALEABLE		34950-2011	34950-2021	34951-1631	34951-1641
						-	12	13	-	-	16	17	18	-	-						
MX150 ASSY BLD 2X10 BK A/6	334822271	A-BLACK	GCP	PLR	M-B	1	2	3	-	-	-	-	8	9	10	SALEABLE		34950-2011	34950-2021	34951-1631	34951-1641
						-	12	13	14	15	16	17	18	19	-						
MX150 ASSY BLD 2X10 BK A/4	334822272	A-BLACK	GCP	PLR	M-B	1	2	3	4	5	-	-	8	9	10	SALEABLE		34950-2011	34950-2021	34951-1631	34951-1641
						-	12	13	14	15	16	17	18	19	-						
MX150 ASSY BLD 2X10 BK A/8	334822273	A-BLACK	GCP	PLR	M-B	1	2	-	-	-	-	7	8	9	10	SALEABLE		34950-2011	34950-2021	34951-1631	34951-1641
						-	12	13	-	-	16	17	18	-	20						



**MX150 2X10 BLADE SEALED ASSEMBLY MAT SEAL  
BOM AND PIN OUT SHEET**

ASSEMBLY DESCRIPTION	ASSEMBLY PART NUMBER	COMPONENT				BLOCKED TERMINALS										STATUS	COMMENT	OPTIONAL ATTACHMENTS SOLD SEPARATELY			
		THE PRESENCE OF AN ABBREVIATION INDICATES THE PRESENCE OF THAT COMPONENT				CAVITY WITH A NUMBER INDICATES BLOCKED TERMINAL POSITION CAVITY WITHOUT A NUMBER INDICATES OPEN TERMINAL POSITION												BACKSHELL WITH RIBS	BACKSHELL WITHOUT RIBS	90° ADAPTOR WITH RIBS	90° ADAPTOR WITHOUT RIBS
		HOUSING KEY/COLOR	GROMMET CAP	PLR	MAT SEAL	1	2	3	-	-	-	7	8	9	10						
MX150 ASSY BLD 2X10 BK A/6	334822274	A-BLACK	GCP	PLR	M-B	1	2	3	-	-	-	7	8	9	10	SALEABLE		34950-2011	34950-2021	34951-1631	34951-1641
						-	12	13	14	15	-	17	18	19	-						
MX150 ASSY BLD 2X10 BK A/8	334822275	A-BLACK	GCP	PLR	M-B	-	2	3	-	-	-	7	8	9	10	SALEABLE		34950-2011	34950-2021	34951-1631	34951-1641
						-	12	13	14	15	-	17	18	-	-						
MX150 ASSY BLD 2X10 BK A/11	334822276	A-BLACK	GCP	PLR	M-B	-	2	-	-	-	-	7	8	9	10	SALEABLE		34950-2011	34950-2021	34951-1631	34951-1641
						-	12	13	-	-	-	17	18	-	-						
MX150 ASSY BLD 2X10 BK A/6	334822277	A-BLACK	GCP	PLR	M-B	1	2	-	4	5	-	7	8	9	10	SALEABLE		34950-2011	34950-2021	34951-1631	34951-1641
						-	12	13	-	-	16	17	18	-	20						
MX150 ASSY BLD 2X10 BK A/15	334822278	A-BLACK	GCP	PLR	M-B	-	-	-	-	-	-	-	-	-	10	SALEABLE		34950-2011	34950-2021	34951-1631	34951-1641
						11	12	-	-	-	16	-	-	-	20						
MX150 ASSY BLD 2X10 BK A/13	334822279	A-BLACK	GCP	PLR	M-B	-	-	3	4	-	-	-	-	-	10	SALEABLE		34950-2011	34950-2021	34951-1631	34951-1641
						11	12	-	-	-	16	-	-	-	20						
MX150 ASSY BLD 2X10 BK A/9	334822280	A-BLACK	GCP	PLR	M-B	-	-	3	4	-	-	-	-	-	10	SALEABLE		34950-2011	34950-2021	34951-1631	34951-1641
						11	12	-	-	15	16	17	18	19	20						
MX150 ASSY BLD 2X10 BK A/11	334822281	A-BLACK	GCP	PLR	M-B	-	-	-	-	-	-	-	-	-	10	SALEABLE		34950-2011	34950-2021	34951-1631	34951-1641
						11	12	-	-	15	16	17	18	19	20						
MX150 ASSY BLD 2X10 BK A/14	334822282	A-BLACK	GCP	PLR	M-B	-	2	3	-	-	6	-	-	-	10	SALEABLE		34950-2011	34950-2021	34951-1631	34951-1641
						-	12	-	14	-	-	-	-	-	-						
MX150 ASSY BLD 2X10 BK A/17	334822283	A-BLACK	GCP	PLR	M-B	-	-	-	4	-	-	-	-	-	-	SALEABLE		34950-2011	34950-2021	34951-1631	34951-1641
						-	-	-	14	-	-	-	-	19	-						
MX150 ASSY BLD 2X10 BK A/14	334822284	A-BLACK	GCP	PLR	M-B	-	-	3	4	-	-	-	-	-	-	SALEABLE		34950-2011	34950-2021	34951-1631	34951-1641
						-	12	-	14	-	-	-	-	19	20						
MX150 ASSY BLD 2X10 BK A/9	334822285	A-BLACK	GCP	PLR	M-B	1	2	3	-	-	6	7	-	-	10	SALEABLE		34950-2011	34950-2021	34951-1631	34951-1641
						11	12	-	14	-	16	-	-	19	-						
MX150 ASSY BLD 2X10 BK A/2	334822286	A-BLACK	GCP	PLR	M-B	1	2	3	-	-	6	7	8	9	10	SALEABLE		34950-2011	34950-2021	34951-1631	34951-1641
						11	12	13	14	15	16	17	18	19	20						
MX150 ASSY BLD 2X10 BK A/11	334822287	A-BLACK	GCP	PLR	M-B	1	2	3	4	5	6	-	8	-	10	SALEABLE		34950-2011	34950-2021	34951-1631	34951-1641
						-	-	-	-	-	-	17	-	-	-						
MX150 ASSY BLD 2X10 BK A/6	334822288	A-BLACK	GCP	PLR	M-B	1	2	3	-	-	-	-	-	9	10	SALEABLE		34950-2011	34950-2021	34951-1631	34951-1641
						11	12	13	-	15	16	17	18	19	20						
MX150 ASSY BLD 2X10 BK A/11	334822289	A-BLACK	GCP	PLR	M-B	-	-	3	-	-	-	-	-	9	10	SALEABLE		34950-2011	34950-2021	34951-1631	34951-1641
						11	12	13	-	15	-	-	-	19	20						
MX150 ASSY BLD 2X10 BK A/7	334822290	A-BLACK	GCP	PLR	M-B	1	2	3	4	5	6	7	8	-	-	SALEABLE		34950-2011	34950-2021	34951-1631	34951-1641
						-	-	-	-	-	16	17	18	19	20						
MX150 ASSY BLD 2X10 BK A/9	334822291	A-BLACK	GCP	PLR	M-B	1	2	3	4	5	6	7	8	-	-	SALEABLE		34950-2011	34950-2021	34951-1631	34951-1641
						-	-	-	-	-	-	-	18	19	20						
MX150 ASSY BLD 2X10 BK A/19	334822292	A-BLACK	GCP	PLR	M-B	-	-	-	-	-	-	-	-	-	-	SALEABLE		34950-2011	34950-2021	34951-1631	34951-1641
						-	-	-	-	-	-	-	18	-	-						
MX150 ASSY BLD 2X10 BK A/6	334822293	A-BLACK	GCP	PLR	M-B	1	2	3	4	-	-	7	8	9	-	SALEABLE		34950-2011	34950-2021	34951-1631	34951-1641
						-	12	13	14	-	-	17	18	19	20						
MX150 ASSY BLD 2X10 BK A/8	334822294	A-BLACK	GCP	PLR	M-B	1	2	3	-	-	-	7	8	9	-	SALEABLE		34950-2011	34950-2021	34951-1631	34951-1641
						-	12	13	-	-	-	17	18	19	20						
MX150 ASSY BLD 2X10 BK A/3	334822295	A-BLACK	GCP	PLR	M-B	-	2	3	4	5	6	7	8	9	10	SALEABLE		34950-2011	34950-2021	34951-1631	34951-1641
						11	12	-	14	15	16	17	18	19	-						
MX150 ASSY BLD 2X10 BK A/9	334822296	A-BLACK	GCP	PLR	M-B	-	2	3	4	-	-	7	8	9	-	SALEABLE		34950-2011	34950-2021	34951-1631	34951-1641
						-	12	-	14	-	-	17	18	19	-						
MX150 ASSY BLD 2X10 BK A/11	334822297	A-BLACK	GCP	PLR	M-B	-	2	3	-	-	-	7	8	9	-	SALEABLE		34950-2011	34950-2021	34951-1631	34951-1641
						-	12	-	-	-	-	17	18	19	-						
MX150 ASSY BLD 2X10 BK A/12	334822298	A-BLACK	GCP	PLR	M-B	1	-	3	4	-	-	-	-	9	-	SALEABLE		34950-2011	34950-2021	34951-1631	34951-1641
						-	12	13	14	-	-	-	-	-	20						
MX150 ASSY BLD 2X10 BK A/14	334822299	A-BLACK	GCP	PLR	M-B	1	-	3	-	-	-	-	-	9	-	SALEABLE		34950-2011	34950-2021	34951-1631	34951-1641
						-	12	13	-	-	-	-	-	-	20						
MX150 ASSY BLD 2X10 BK A/15	334822300	A-BLACK	GCP	PLR	M-B	-	-	3	4	-	-	-	-	9	-	SALEABLE		34950-2011	34950-2021	34951-1631	34951-1641
						-	12	-	14	-	-	-	-	-	-						

ASSEMBLY DESCRIPTION	ASSEMBLY PART NUMBER	COMPONENT				BLOCKED TERMINALS										STATUS	COMMENT	OPTIONAL ATTACHMENTS SOLD SEPARATELY				
		THE PRESENCE OF AN ABBREVIATION INDICATES THE PRESENCE OF THAT COMPONENT				CAVITY WITH A NUMBER INDICATES BLOCKED TERMINAL POSITION CAVITY WITHOUT A NUMBER INDICATES OPEN TERMINAL POSITION												BACKSHELL WITH RIBS	BACKSHELL WITHOUT RIBS	90° ADAPTOR WITH RIBS	90° ADAPTOR WITHOUT RIBS	
		HOUSING KEY/COLOR	GROMMET CAP	PLR	MAT SEAL																	
MX150 ASSY BLD 2X10 BK A/17	334822301	A-BLACK	GCP	PLR	M-B	-	-	3	-	-	-	-	-	9	-	SALEABLE		34950-2011	34950-2021	34951-1631	34951-1641	
						-	12	-	-	-	-	-	-	-	-							
MX150 ASSY BLD 2X10 BK A/17	334822302	A-BLACK	GCP	PLR	M-B	-	-	-	-	-	-	-	-	9	-	SALEABLE		34950-2011	34950-2021	34951-1631	34951-1641	
						-	-	13	-	-	-	-	-	-	20							
MX150 ASSY BLD 2X10 BK A/11	334822303	A-BLACK	GCP	PLR	M-B	-	-	-	-	-	-	-	-	9	-	SALEABLE		34950-2011	34950-2021	34951-1631	34951-1641	
						-	-	13	14	15	16	17	18	19	20							
MX150 ASSY BLD 2X10 BK A/15	334822304	A-BLACK	GCP	PLR	M-B	-	2	-	-	-	-	-	8	9	-	SALEABLE		34950-2011	34950-2021	34951-1631	34951-1641	
						-	-	13	-	-	-	-	-	-	20							
MX150 ASSY BLD 2X10 BK A/9	334822305	A-BLACK	GCP	PLR	M-B	-	2	-	-	-	-	-	8	9	-	SALEABLE		34950-2011	34950-2021	34951-1631	34951-1641	
						-	-	13	14	15	16	17	18	19	20							
MX150 ASSY BLD 2X10 BK A/9	334822306	A-BLACK	GCP	PLR	M-B	1	2	3	4	5	6	7	8	9	-	SALEABLE		34950-2011	34950-2021	34951-1631	34951-1641	
						-	-	13	-	-	-	-	-	-	20							
MX150 ASSY BLD 2X10 BK A/3	334822307	A-BLACK	GCP	PLR	M-B	1	2	3	4	5	6	7	8	9	-	SALEABLE		34950-2011	34950-2021	34951-1631	34951-1641	
						-	-	13	14	15	16	17	18	19	20							
MX150 ASSY BLD 2X10 BK A/3	334822308	A-BLACK	GCP	PLR	M-B	1	2	3	-	-	6	7	8	9	10	SALEABLE		34950-2011	34950-2021	34951-1631	34951-1641	
						-	12	13	14	15	16	17	18	19	20							
MX150 ASSY BLD 2X10 BK A/13	334822309	A-BLACK	GCP	PLR	M-B	1	2	3	4	5	-	-	-	-	-	SALEABLE		34950-2011	34950-2021	34951-1631	34951-1641	
						-	-	-	-	-	-	-	-	19	20							
MX150 ASSY BLD 2X10 BK A/13	334822310	A-BLACK	GCP	PLR	M-B	-	2	3	-	5	-	-	-	-	-	SALEABLE		34950-2011	34950-2021	34951-1631	34951-1641	
						-	-	13	-	-	-	17	-	19	20							
MX150 ASSY BLD 2X10 BK A/3	334822311	A-BLACK	GCP	PLR	M-B	-	2	3	4	5	-	7	8	9	10	SALEABLE		34950-2011	34950-2021	34951-1631	34951-1641	
						11	12	13	14	15	16	17	-	19	20							
MX150 ASSY BLD 2X10 BK A/13	334822312	A-BLACK	GCP	PLR	M-B	-	2	-	-	5	6	-	-	9	10	SALEABLE		34950-2011	34950-2021	34951-1631	34951-1641	
						-	-	-	-	-	-	-	-	19	20							
MX150 ASSY BLD 2X10 BK A/13	334822313	A-BLACK	GCP	PLR	M-B	1	-	3	-	-	6	-	-	9	10	SALEABLE		34950-2011	34950-2021	34951-1631	34951-1641	
						-	12	13	-	-	-	-	-	-	-							
MX150 ASSY BLD 2X10 BK A/14	334822314	A-BLACK	GCP	PLR	M-B	-	-	-	-	-	-	-	-	9	10	SALEABLE		34950-2011	34950-2021	34951-1631	34951-1641	
						11	12	13	-	-	-	-	-	-	20							
MX150 ASSY BLD 2X10 BK A/8	334822315	A-BLACK	GCP	PLR	M-B	-	-	-	-	-	-	-	-	9	10	SALEABLE		34950-2011	34950-2021	34951-1631	34951-1641	
						11	12	13	14	15	16	17	18	19	20							
MX150 ASSY BLD 2X10 BK A/12	334822316	A-BLACK	GCP	PLR	M-B	-	2	-	-	-	-	-	8	9	10	SALEABLE		34950-2011	34950-2021	34951-1631	34951-1641	
						11	12	13	-	-	-	-	-	-	20							
MX150 ASSY BLD 2X10 BK A/6	334822317	A-BLACK	GCP	PLR	M-B	-	2	-	-	-	-	-	8	9	10	SALEABLE		34950-2011	34950-2021	34951-1631	34951-1641	
						11	12	13	14	15	16	17	18	19	20							
MX150 ASSY BLD 2X10 BK A/6	334822318	A-BLACK	GCP	PLR	M-B	1	2	3	4	5	6	7	8	9	10	SALEABLE		34950-2011	34950-2021	34951-1631	34951-1641	
						11	12	13	-	-	-	-	-	-	20							
MX150 ASSY BLD 2X10 BK A/15	334822319	A-BLACK	GCP	PLR	M-B	1	2	3	-	-	6	7	-	-	-	SALEABLE		34950-2011	34950-2021	34951-1631	34951-1641	
						-	-	-	-	-	-	-	-	-	-							
MX150 ASSY BLD 2X10 BK A/17	334822320	A-BLACK	GCP	PLR	M-B	-	2	3	-	-	6	-	-	-	-	SALEABLE		34950-2011	34950-2021	34951-1631	34951-1641	
						-	-	-	-	-	-	-	-	-	-							
MX150 ASSY BLD 2X10 BK A/5	334822321	A-BLACK	GCP	PLR	M-B	1	2	3	4	5	6	7	8	9	-	SALEABLE		34950-2011	34950-2021	34951-1631	34951-1641	
						-	-	13	14	15	16	-	-	19	20							
MX150 ASSY BLD 2X10 BK A/11	334822322	A-BLACK	GCP	PLR	M-B	1	2	3	4	5	-	-	8	9	-	SALEABLE		34950-2011	34950-2021	34951-1631	34951-1641	
						-	-	-	-	-	16	-	-	-	20							
MX150 ASSY BLD 2X10 BK A/5	334822323	A-BLACK	GCP	PLR	M-B	1	2	3	-	-	6	7	-	9	10	SALEABLE		34950-2011	34950-2021	34951-1631	34951-1641	
						11	12	13	14	15	16	-	-	19	20							
MX150 ASSY BLD 2X10 BK A/6	334822324	A-BLACK	GCP	PLR	M-B	1	2	3	4	5	6	7	8	-	10	SALEABLE		34950-2011	34950-2021	34951-1631	34951-1641	
						11	-	-	14	-	-	17	18	19	-							
MX150 ASSY BLD 2X10 LG B/16	334822325	B-LIGHT GRAY	GCP	PLR	M-B	-	-	-	-	-	-	-	-	-	-	SALEABLE		34950-2011	34950-2021	34951-1631	34951-1641	
						-	-	-	-	-	-	17	18	19	20							
MX150 ASSY BLD 2X10 BK A/6	334822326	A-BLACK	GCP	PLR	M-B	1	2	-	-	-	6	7	8	9	10	SALEABLE		34950-2011	34950-2021	34951-1631	34951-1641	
						11	12	13	-	-	16	17	18	-	20							
MX150 ASSY BLD 2X10 BK A/4	334822327	A-BLACK	GCP	PLR	M-B	1	2	-	4	5	6	7	8	9	10	SALEABLE		34950-2011	34950-2021	34951-1631	34951-1641	
						11	12	13	-	-	16	17	18	-	20							



**MX150 2X10 BLADE SEALED ASSEMBLY MAT SEAL  
BOM AND PIN OUT SHEET**

ASSEMBLY DESCRIPTION	ASSEMBLY PART NUMBER	COMPONENT				BLOCKED TERMINALS										STATUS	COMMENT	OPTIONAL ATTACHMENTS SOLD SEPARATELY					
		THE PRESENCE OF AN ABBREVIATION INDICATES THE PRESENCE OF THAT COMPONENT				CAVITY WITH A NUMBER INDICATES BLOCKED TERMINAL POSITION CAVITY WITHOUT A NUMBER INDICATES OPEN TERMINAL POSITION												BACKSHELL WITH RIBS	BACKSHELL WITHOUT RIBS	90° ADAPTOR WITH RIBS	90° ADAPTOR WITHOUT RIBS		
		HOUSING KEY/COLOR	GROMMET CAP	PLR	MAT SEAL	1	2	3	4	5	6	7	8	9	10							11	12
MX150 ASSY BLD 2X10 BK A/13	334822328	A-BLACK	GCP	PLR	M-B	-	-	-	-	-	-	7	8	9	10	SALEABLE		34950-2011	34950-2021	34951-1631	34951-1641		
MX150 ASSY BLD 2X10 LG B/14	334822329	B-LIGHT GRAY	GCP	PLR	M-B	-	-	-	-	-	-	-	-	-	10	SALEABLE		34950-2011	34950-2021	34951-1631	34951-1641		
MX150 ASSY BLD 2X10 BK A/15	334822330	A-BLACK	GCP	PLR	M-B	-	2	-	-	5	6	-	-	9	10	SALEABLE		34950-2011	34950-2021	34951-1631	34951-1641		
MX150 ASSY BLD 2X10 BK A/16	334822331	A-BLACK	GCP	PLR	M-B	-	2	-	-	-	6	-	-	9	10	SALEABLE		34950-2011	34950-2021	34951-1631	34951-1641		
MX150 ASSY BLD 2X10 BK A/17	334822332	A-BLACK	GCP	PLR	M-B	-	-	-	-	-	6	-	-	9	10	SALEABLE		34950-2011	34950-2021	34951-1631	34951-1641		
MX150 ASSY BLD 2X10 BK A/7	334822334	A-BLACK	GCP	PLR	M-B	-	-	3	4	-	6	7	-	9	10	SALEABLE		34950-2011	34950-2021	34951-1631	34951-1641		
MX150 ASSY BLD 2X10 BK A/14	334822335	A-BLACK	GCP	PLR	M-B	-	-	3	4	-	-	7	-	-	10	SALEABLE		34950-2011	34950-2021	34951-1631	34951-1641		
MX150 ASSY BLD 2X10 LG B/14	334822336	B-LIGHT GRAY	GCP	PLR	M-B	-	-	-	-	-	-	-	-	-	-	SALEABLE		34950-2011	34950-2021	34951-1631	34951-1641		
MX150 ASSY BLD 2X10 LG B/18	334822337	B-LIGHT GRAY	GCP	PLR	M-B	-	-	-	-	-	-	-	-	-	-	SALEABLE		34950-2011	34950-2021	34951-1631	34951-1641		
MX150 ASSY BLD 2X10 LG B/16	334822338	B-LIGHT GRAY	GCP	PLR	M-B	-	2	-	4	-	-	-	-	-	-	SALEABLE		34950-2011	34950-2021	34951-1631	34951-1641		
MX150 ASSY BLD 2X10 LG B/9	334822339	B-LIGHT GRAY	GCP	PLR	M-B	-	-	-	-	5	6	-	-	-	-	SALEABLE		34950-2011	34950-2021	34951-1631	34951-1641		
MX150 ASSY BLD 2X10 BK A/14	334822340	A-BLACK	GCP	PLR	M-B	-	2	3	-	5	6	-	-	-	-	SALEABLE		34950-2011	34950-2021	34951-1631	34951-1641		
MX150 ASSY BLD 2X10 BK A/17	334822341	A-BLACK	GCP	PLR	M-B	-	-	-	-	5	6	-	-	-	-	SALEABLE		34950-2011	34950-2021	34951-1631	34951-1641		
MX150 ASSY BLD 2X10 LG B/10	334822342	B-LIGHT GRAY	GCP	PLR	M-B	-	-	-	-	5	6	-	-	-	-	SALEABLE		34950-2011	34950-2021	34951-1631	34951-1641		
MX150 ASSY BLD 2X10 LG B/17	334822343	B-LIGHT GRAY	GCP	PLR	M-B	-	-	-	-	-	-	-	-	-	-	SALEABLE		34950-2011	34950-2021	34951-1631	34951-1641		
MX150 ASSY BLD 2X10 LG B/15	334822344	B-LIGHT GRAY	GCP	PLR	M-B	-	-	-	-	-	-	-	-	-	-	SALEABLE		34950-2011	34950-2021	34951-1631	34951-1641		
MX150 ASSY BLD 2X10 LG B/19	334822345	B-LIGHT GRAY	GCP	PLR	M-B	-	-	-	-	-	-	-	-	-	-	SALEABLE		34950-2011	34950-2021	34951-1631	34951-1641		
MX150 ASSY BLD 2X10 BK A/18	334822346	A-BLACK	GCP	PLR	M-B	-	-	-	-	-	-	-	-	-	-	SALEABLE		34950-2011	34950-2021	34951-1631	34951-1641		
MX150 ASSY BLD 2X10 BK A/4	334822347	A-BLACK	GCP	PLR	M-B	-	2	3	4	5	6	7	8	9	-	SALEABLE		34950-2011	34950-2021	34951-1631	34951-1641		
MX150 ASSY BLD 2X10 BK A/16	334822348	A-BLACK	GCP	PLR	M-B	-	2	-	-	-	6	-	-	-	10	SALEABLE		34950-2011	34950-2021	34951-1631	34951-1641		
MX150 ASSY BLD 2X10 BK A/12	334822349	A-BLACK	GCP	PLR	M-B	-	-	3	4	5	-	7	-	-	10	SALEABLE		34950-2011	34950-2021	34951-1631	34951-1641		
MX150 ASSY BLD 2X10 BK A/9	334822350	A-BLACK	GCP	PLR	M-B	-	-	3	4	-	6	-	8	9	-	SALEABLE		34950-2011	34950-2021	34951-1631	34951-1641		
MX150 ASSY BLD 2X10 BK A/15	334822351	A-BLACK	GCP	PLR	M-B	-	-	3	4	5	-	-	-	-	-	SALEABLE		34950-2011	34950-2021	34951-1631	34951-1641		
MX150 ASSY BLD 2X10 BK A/14	334822352	A-BLACK	GCP	PLR	M-B	-	-	3	4	5	6	-	-	-	-	SALEABLE		34950-2011	34950-2021	34951-1631	34951-1641		
MX150 ASSY BLD 2X10 LG B/17	334822353	B-LIGHT GRAY	GCP	PLR	M-B	-	-	-	-	5	6	-	-	-	-	SALEABLE		34950-2011	34950-2021	34951-1631	34951-1641		
MX150 ASSY BLD 2X10 BK A/15	334822354	A-BLACK	GCP	PLR	M-B	-	2	3	-	-	6	-	-	-	10	SALEABLE		34950-2011	34950-2021	34951-1631	34951-1641		
MX150 ASSY BLD 2X10 BK A/8	334822355	A-BLACK	GCP	PLR	M-B	1	-	3	4	5	6	7	8	9	10	SALEABLE		34950-2011	34950-2021	34951-1631	34951-1641		
						11	12	-	-	-	-	-	-	-	20								



**MX150 2X10 BLADE SEALED ASSEMBLY MAT SEAL  
BOM AND PIN OUT SHEET**

ASSEMBLY DESCRIPTION	ASSEMBLY PART NUMBER	COMPONENT				BLOCKED TERMINALS										STATUS	COMMENT	OPTIONAL ATTACHMENTS SOLD SEPARATELY															
		THE PRESENCE OF AN ABBREVIATION INDICATES THE PRESENCE OF THAT COMPONENT				CAVITY WITH A NUMBER INDICATES BLOCKED TERMINAL POSITION CAVITY WITHOUT A NUMBER INDICATES OPEN TERMINAL POSITION												BACKSHELL WITH RIBS	BACKSHELL WITHOUT RIBS	90° ADAPTOR WITH RIBS	90° ADAPTOR WITHOUT RIBS												
		HOUSING KEY/COLOR	GROMMET CAP	PLR	MAT SEAL	1	2	3	4	5	6	7	8	9	10							11	12	13	14	15	16	17	18	19	20		
MX150 ASSY BLD 2X10 BK A/14	334822356	A-BLACK	GCP	PLR	M-B	1	-	-	-	-	-	-	-	9	10	11	12	-	-	-	-	-	-	-	-	-	20	SALEABLE		34950-2011	34950-2021	34951-1631	34951-1641
MX150 ASSY BLD 2X10 LG B/6	334822357	B-LIGHT GRAY	GCP	PLR	M-B	-	-	-	-	5	6	7	8	9	10	11	12	13	14	-	-	17	18	19	20	SALEABLE		34950-2011	34950-2021	34951-1631	34951-1641		
MX150 ASSY BLD 2X10 BK A/12	334822358	A-BLACK	GCP	PLR	M-B	-	-	-	-	5	-	-	-	9	-	-	12	-	-	15	16	-	18	19	20	SALEABLE		34950-2011	34950-2021	34951-1631	34951-1641		
MX150 ASSY BLD 2X10 LG B/8	334822359	B-LIGHT GRAY	GCP	PLR	M-B	1	2	3	4	5	6	7	8	-	-	-	-	13	-	-	16	-	-	19	20	SALEABLE		34950-2011	34950-2021	34951-1631	34951-1641		
MX150 ASSY BLD 2X10 BK A/11	334822360	A-BLACK	GCP	PLR	M-B	1	2	-	-	-	-	-	8	9	10	-	-	-	14	-	-	17	18	19	-	SALEABLE		34950-2011	34950-2021	34951-1631	34951-1641		
MX150 ASSY BLD 2X10 BK A/11	334822361	A-BLACK	GCP	PLR	M-B	1	2	-	-	-	-	-	-	9	10	-	-	-	14	-	16	17	18	19	-	SALEABLE		34950-2011	34950-2021	34951-1631	34951-1641		
MX150 ASSY BLD 2X10 BK A/14	334822362	A-BLACK	GCP	PLR	M-B	-	-	-	-	-	-	-	-	9	10	-	-	-	14	-	-	17	18	19	-	SALEABLE		34950-2011	34950-2021	34951-1631	34951-1641		
MX150 ASSY BLD 2X10 BK A/10	334822363	A-BLACK	GCP	PLR	M-B	1	2	3	-	-	6	7	-	-	10	11	12	-	-	-	16	-	-	19	-	SALEABLE		34950-2011	34950-2021	34951-1631	34951-1641		
MX150 ASSY BLD 2X10 BK A/8	334822364	A-BLACK	GCP	PLR	M-B	1	-	-	-	-	-	-	8	9	10	-	12	-	14	15	16	17	18	19	20	SALEABLE		34950-2011	34950-2021	34951-1631	34951-1641		
MX150 ASSY BLD 2X10 BK A/12	334822365	A-BLACK	GCP	PLR	M-B	1	-	-	-	-	-	-	-	-	-	-	-	-	14	15	16	17	18	19	20	SALEABLE		34950-2011	34950-2021	34951-1631	34951-1641		
MX150 ASSY BLD 2X10 BK A/6	334822366	A-BLACK	GCP	PLR	M-B	1	-	-	-	-	-	-	8	9	10	11	12	13	14	15	16	17	18	19	20	SALEABLE		34950-2011	34950-2021	34951-1631	34951-1641		
MX150 ASSY BLD 2X10 BK A/16	334822367	A-BLACK	GCP	PLR	M-B	1	-	-	-	-	-	-	-	-	-	11	-	-	-	-	-	-	-	19	20	SALEABLE		34950-2011	34950-2021	34951-1631	34951-1641		
MX150 ASSY BLD 2X10 BK A/16	334822368	A-BLACK	GCP	PLR	M-B	-	-	3	-	-	6	-	8	9	-	-	-	-	-	-	-	-	-	-	-	SALEABLE		34950-2011	34950-2021	34951-1631	34951-1641		
MX150 ASSY BLD 2X10 BK A/15	334822369	A-BLACK	GCP	PLR	M-B	-	-	-	-	-	-	-	-	9	-	-	-	-	-	-	-	17	18	19	20	SALEABLE		34950-2011	34950-2021	34951-1631	34951-1641		
MX150 ASSY BLD 2X10 BK A/18	334822370	A-BLACK	GCP	PLR	M-B	-	-	-	-	-	6	-	-	-	-	-	-	-	-	-	-	-	-	19	-	SALEABLE		34950-2011	34950-2021	34951-1631	34951-1641		
MX150 ASSY BLD 2X10 LG B/18	334822371	B-LIGHT GRAY	GCP	PLR	M-B	-	-	-	-	-	6	-	-	-	-	-	-	-	-	-	-	-	-	19	-	SALEABLE		34950-2011	34950-2021	34951-1631	34951-1641		
MX150 ASSY BLD 2X10 BK A/10	334822372	A-BLACK	GCP	PLR	M-B	1	2	-	-	-	-	7	8	9	10	-	12	13	-	-	-	17	18	-	-	SALEABLE		34950-2011	34950-2021	34951-1631	34951-1641		
MX150 ASSY BLD 2X10 BK A/14	334822373	A-BLACK	GCP	PLR	M-B	-	-	3	-	5	6	-	-	-	-	11	12	13	-	-	-	-	-	-	-	SALEABLE		34950-2011	34950-2021	34951-1631	34951-1641		
MX150 ASSY BLD 2X10 BK A/16	334822374	A-BLACK	GCP	PLR	M-B	-	-	3	-	-	6	-	-	-	-	-	12	13	-	-	-	-	-	-	-	SALEABLE		34950-2011	34950-2021	34951-1631	34951-1641		
MX150 ASSY BLD 2X10 BK A/18	334822375	A-BLACK	GCP	PLR	M-B	-	-	-	-	-	-	-	8	-	-	-	-	-	-	-	-	17	-	-	-	SALEABLE		34950-2011	34950-2021	34951-1631	34951-1641		
MX150 ASSY BLD 2X10 BK A/15	334822376	A-BLACK	GCP	PLR	M-B	-	-	-	-	5	-	-	8	-	-	11	-	-	14	-	-	17	-	-	-	SALEABLE		34950-2011	34950-2021	34951-1631	34951-1641		
MX150 ASSY BLD 2X10 BK A/12	334822377	A-BLACK	GCP	PLR	M-B	1	-	3	-	5	6	7	-	-	-	11	12	13	-	-	-	-	-	-	-	SALEABLE		34950-2011	34950-2021	34951-1631	34951-1641		
MX150 ASSY BLD 2X10 BK A/12	334822378	A-BLACK	GCP	PLR	M-B	1	-	3	4	-	-	-	-	9	-	11	12	13	-	-	-	-	-	-	20	SALEABLE		34950-2011	34950-2021	34951-1631	34951-1641		
MX150 ASSY BLD 2X10 BK A/15	334822379	A-BLACK	GCP	PLR	M-B	-	-	-	-	-	-	-	-	9	-	11	12	13	-	-	-	-	-	-	20	SALEABLE		34950-2011	34950-2021	34951-1631	34951-1641		
MX150 ASSY BLD 2X10 BK A/12	334822380	A-BLACK	GCP	PLR	M-B	-	2	3	-	5	6	-	8	-	-	11	12	13	-	-	-	-	-	-	-	SALEABLE		34950-2011	34950-2021	34951-1631	34951-1641		
MX150 ASSY BLD 2X10 BK A/14	334822381	A-BLACK	GCP	PLR	M-B	-	2	3	-	-	6	-	8	-	-	-	12	13	-	-	-	-	-	-	-	SALEABLE		34950-2011	34950-2021	34951-1631	34951-1641		
MX150 ASSY BLD 2X10 BK A/10	334822382	A-BLACK	GCP	PLR	M-B	1	2	3	-	5	6	7	8	-	-	11	12	13	-	-	-	-	-	-	-	SALEABLE		34950-2011	34950-2021	34951-1631	34951-1641		



**MX150 2X10 BLADE SEALED ASSEMBLY MAT SEAL  
BOM AND PIN OUT SHEET**

ASSEMBLY DESCRIPTION	ASSEMBLY PART NUMBER	COMPONENT				BLOCKED TERMINALS										STATUS	COMMENT	OPTIONAL ATTACHMENTS SOLD SEPARATELY			
		THE PRESENCE OF AN ABBREVIATION INDICATES THE PRESENCE OF THAT COMPONENT				CAVITY WITH A NUMBER INDICATES BLOCKED TERMINAL POSITION CAVITY WITHOUT A NUMBER INDICATES OPEN TERMINAL POSITION												BACKSHELL WITH RIBS	BACKSHELL WITHOUT RIBS	90° ADAPTOR WITH RIBS	90° ADAPTOR WITHOUT RIBS
		HOUSING KEY/COLOR	GROMMET CAP	PLR	MAT SEAL																
MX150 ASSY BLD 2X10 BK A/15	334822383	A-BLACK	GCP	PLR	M-B	-	-	-	-	-	-	-	-	9	10	SALEABLE		34950-2011	34950-2021	34951-1631	34951-1641
						11	12	-	-	-	-	-	-	-	20						
MX150 ASSY BLD 2X10 BK A/13	334822384	A-BLACK	GCP	PLR	M-B	1	-	3	4	-	-	-	-	9	10	SALEABLE		34950-2011	34950-2021	34951-1631	34951-1641
						-	12	-	-	-	-	-	-	-	20						
MX150 ASSY BLD 2X10 BK A/8	334822385	A-BLACK	GCP	PLR	M-B	1	2	3	4	5	6	-	8	-	-	SALEABLE		34950-2011	34950-2021	34951-1631	34951-1641
						-	-	13	-	-	-	17	18	19	20						
MX150 ASSY BLD 2X10 BK A/14	334822386	A-BLACK	GCP	PLR	M-B	-	-	-	-	-	-	7	-	9	-	SALEABLE		34950-2011	34950-2021	34951-1631	34951-1641
						-	-	-	14	15	-	-	-	19	20						
MX150 ASSY BLD 2X10 BK A/10	334822387	A-BLACK	GCP	PLR	M-B	1	2	3	4	5	6	-	8	-	-	SALEABLE		34950-2011	34950-2021	34951-1631	34951-1641
						-	-	13	-	-	-	-	-	19	20						
MX150 ASSY BLD 2X10 BK A/12	334822388	A-BLACK	GCP	PLR	M-B	1	-	3	4	-	-	-	-	9	10	SALEABLE		34950-2011	34950-2021	34951-1631	34951-1641
						11	12	-	-	-	-	-	-	-	20						
MX150 ASSY BLD 2X10 BK A/15	334822389	A-BLACK	GCP	PLR	M-B	-	-	-	-	-	-	-	-	9	10	SALEABLE		34950-2011	34950-2021	34951-1631	34951-1641
						11	12	-	-	-	-	-	-	-	20						
MX150 ASSY BLD 2X10 BK A/20	334822390	A-BLACK	GCO	PLR	M-B	-	-	-	-	-	-	-	-	-	-	SALEABLE		34950-2011	34950-2021	34951-1631	34951-1641
						-	-	-	-	-	-	-	-	-	-						
MX150 ASSY BLD 2X10 BK A/13	334822391	A-BLACK	GCP	PLR	M-B	-	-	3	-	-	-	-	-	-	-	SALEABLE		34950-2011	34950-2021	34951-1631	34951-1641
						11	-	-	-	-	16	17	18	19	20						
MX150 ASSY BLD 2X10 BK A/11	334822392	A-BLACK	GCP	PLR	M-B	-	-	3	-	-	-	-	-	-	-	SALEABLE		34950-2011	34950-2021	34951-1631	34951-1641
						11	12	13	-	-	16	17	18	19	20						
MX150 ASSY BLD 2X10 BK A/8	334822393	A-BLACK	GCP	PLR	M-B	1	-	3	-	-	-	-	-	9	10	SALEABLE		34950-2011	34950-2021	34951-1631	34951-1641
						11	12	13	-	-	16	17	18	19	20						
MX150 ASSY BLD 2X10 BK A/10	334822394	A-BLACK	GCP	PLR	M-B	1	-	3	-	-	-	-	-	9	10	SALEABLE		34950-2011	34950-2021	34951-1631	34951-1641
						11	-	-	-	-	16	17	18	19	20						
MX150 ASSY BLD 2X10 BK A/19	334822395	A-BLACK	GCP	PLR	M-B	-	-	-	-	-	-	-	-	-	-	SALEABLE		34950-2011	34950-2021	34951-1631	34951-1641
						-	-	-	-	-	-	-	18	-	-						
MX150 ASSY BLD 2X10 SG D/19	334822396	D-STONE GRAY	GCP	PLR	M-B	1	-	-	-	-	-	-	-	-	-	SALEABLE		34950-2011	34950-2021	34951-1631	34951-1641
						-	-	-	-	-	-	-	-	-	-						
MX150 ASSY BLD 2X10 DG C/19	334822397	C-DARK GRAY	GCP	PLR	M-B	1	-	-	-	-	-	-	-	-	-	SALEABLE		34950-2011	34950-2021	34951-1631	34951-1641
						-	-	-	-	-	-	-	-	-	-						
MX150 ASSY BLD 2X10 BK A/18	334822398	A-BLACK	GCP	PLR	M-B	-	-	-	-	-	-	-	-	-	-	SALEABLE		34950-2011	34950-2021	34951-1631	34951-1641
						-	-	-	-	-	-	-	-	19	20						
MX150 ASSY BLD 2X10 BK A/9	334822399	A-BLACK	GCP	PLR	M-B	1	2	-	-	-	-	-	-	-	-	SALEABLE		34950-2011	34950-2021	34951-1631	34951-1641
						-	12	13	14	15	16	17	18	19	20						
MX150 ASSY BLD 2X10 BK A/16	334822400	A-BLACK	GCP	PLR	M-B	1	2	-	-	-	-	-	-	-	-	SALEABLE		34950-2011	34950-2021	34951-1631	34951-1641
						-	-	-	-	-	-	-	-	19	20						
MX150 ASSY BLD 2X10 BK A/18	334822401	A-BLACK	GCP	PLR	M-B	-	-	-	-	-	-	-	-	-	-	SALEABLE		34950-2011	34950-2021	34951-1631	34951-1641
						-	12	-	14	-	-	-	-	-	-						
MX150 ASSY BLD 2X10 BK A/13	334822402	A-BLACK	GCP	PLR	M-B	-	-	3	-	-	6	-	-	-	-	SALEABLE		34950-2011	34950-2021	34951-1631	34951-1641
						11	-	-	-	-	-	17	18	19	20						
MX150 ASSY BLD 2X10 BK A/16	334822403	A-BLACK	GCP	PLR	M-B	1	-	-	-	-	-	-	8	9	-	SALEABLE		34950-2011	34950-2021	34951-1631	34951-1641
						-	-	-	-	-	16	-	-	-	-						
MX150 ASSY BLD 2X10 BK A/6	334822404	A-BLACK	GCP	PLR	M-B	1	2	3	4	5	6	7	8	-	-	SALEABLE		34950-2011	34950-2021	34951-1631	34951-1641
						-	12	13	14	-	16	-	-	19	20						
MX150 ASSY BLD 2X10 BK A/17	334822405	A-BLACK	GCP	PLR	M-B	-	-	-	-	-	-	-	-	-	-	SALEABLE		34950-2011	34950-2021	34951-1631	34951-1641
						-	-	-	-	15	-	-	-	19	20						
MX150 ASSY BLD 2X10 BK A/14	334822406	A-BLACK	GCP	PLR	M-B	-	-	-	-	-	-	-	-	9	-	SALEABLE		34950-2011	34950-2021	34951-1631	34951-1641
						-	-	13	14	-	-	-	18	19	20						
MX150 ASSY BLD 2X10 BK A/8	334822407	A-BLACK	GCP	PLR	M-B	1	2	-	-	-	-	-	-	-	-	SALEABLE		34950-2011	34950-2021	34951-1631	34951-1641
						11	12	13	14	15	16	17	18	19	20						
MX150 ASSY BLD 2X10 BK A/10	334822408	A-BLACK	GCP	PLR	M-B	1	2	-	-	-	-	-	-	-	-	SALEABLE		34950-2011	34950-2021	34951-1631	34951-1641
						-	-	13	14	15	16	17	18	19	20						
MX150 ASSY BLD 2X10 BK A/15	334822409	A-BLACK	GCP	PLR	M-B	-	-	-	-	-	-	-	-	-	10	SALEABLE		34950-2011	34950-2021	34951-1631	34951-1641
						11	12	-	-	15	-	-	-	-	20						

MX150 2X10 BLADE SEALED ASSEMBLY MAT SEAL  
BOM AND PIN OUT SHEET

ASSEMBLY DESCRIPTION	ASSEMBLY PART NUMBER	COMPONENT				BLOCKED TERMINALS										STATUS	COMMENT	OPTIONAL ATTACHMENTS SOLD SEPARATELY							
		THE PRESENCE OF AN ABBREVIATION INDICATES THE PRESENCE OF THAT COMPONENT				CAVITY WITH A NUMBER INDICATES BLOCKED TERMINAL POSITION CAVITY WITHOUT A NUMBER INDICATES OPEN TERMINAL POSITION												BACKSHELL WITH RIBS	BACKSHELL WITHOUT RIBS	90° ADAPTOR WITH RIBS	90° ADAPTOR WITHOUT RIBS				
		HOUSING KEY/COLOR	GROMMET CAP	PLR	MAT SEAL																				
MX150 ASSY BLD 2X10 BK A/17	334822410	A-BLACK	GCP	PLR	M-B	1	-	-	-	-	-	-	-	-	-	-	-	-	10	SALEABLE		34950-2011	34950-2021	34951-1631	34951-1641
MX150 ASSY BLD 2X10 BK A/17	334822411	A-BLACK	GCP	PLR	M-B	-	2	-	-	5	6	-	-	-	-	-	-	-	20	SALEABLE		34950-2011	34950-2021	34951-1631	34951-1641
MX150 ASSY BLD 2X10 BK A/15	334822412	A-BLACK	GCP	PLR	M-B	-	2	-	-	5	6	7	-	-	-	-	-	-	-	SALEABLE		34950-2011	34950-2021	34951-1631	34951-1641
MX150 ASSY BLD 2X10 BK A/15	334822413	A-BLACK	GCP	PLR	M-B	-	2	-	-	5	6	-	-	-	-	-	-	-	-	SALEABLE		34950-2011	34950-2021	34951-1631	34951-1641
MX150 ASSY BLD 2X10 BK A/14	334822414	A-BLACK	GCP	PLR	M-B	-	2	3	-	5	6	-	-	-	-	-	-	-	-	SALEABLE		34950-2011	34950-2021	34951-1631	34951-1641
MX150 ASSY BLD 2X10 BK A/13	334822415	A-BLACK	GCP	PLR	M-B	-	2	-	-	5	6	7	-	-	-	-	-	-	-	SALEABLE		34950-2011	34950-2021	34951-1631	34951-1641
MX150 ASSY BLD 2X10 BK A/12	334822416	A-BLACK	GCP	PLR	M-B	-	2	3	-	5	6	-	-	-	-	-	-	-	-	SALEABLE		34950-2011	34950-2021	34951-1631	34951-1641
MX150 ASSY BLD 2X10 BK A/12	334822417	A-BLACK	GCP	PLR	M-B	-	2	3	-	5	6	7	-	-	-	-	-	-	-	SALEABLE		34950-2011	34950-2021	34951-1631	34951-1641
MX150 ASSY BLD 2X10 BK A/10	334822418	A-BLACK	GCP	PLR	M-B	-	2	3	-	5	6	7	-	-	-	-	-	-	-	SALEABLE		34950-2011	34950-2021	34951-1631	34951-1641
MX150 ASSY BLD 2X10 BK A/9	334822419	A-BLACK	GCP	PLR	M-B	-	2	-	4	5	6	7	8	9	10	-	-	-	-	SALEABLE		34950-2011	34950-2021	34951-1631	34951-1641
MX150 ASSY BLD 2X10 BK A/7	334822420	A-BLACK	GCP	PLR	M-B	-	2	-	4	5	6	7	8	9	10	-	-	-	-	SALEABLE		34950-2011	34950-2021	34951-1631	34951-1641
MX150 ASSY BLD 2X10 BK A/6	334822421	A-BLACK	GCP	PLR	M-B	-	2	3	4	5	6	7	8	9	10	-	-	-	-	SALEABLE		34950-2011	34950-2021	34951-1631	34951-1641
MX150 ASSY BLD 2X10 BK A/4	334822422	A-BLACK	GCP	PLR	M-B	-	2	3	4	5	6	7	8	9	10	-	-	-	-	SALEABLE		34950-2011	34950-2021	34951-1631	34951-1641
MX150 ASSY BLD 2X10 LTB A/20	334822423	A-LIGHT BLUE	GCO	PLR	M-B	-	-	-	-	-	-	-	-	-	-	-	-	-	-	SALEABLE		34950-2011	34950-2021	34951-1631	34951-1641
MX150 ASSY BLD 2X10 BK A/10	334822424	A-BLACK	GCP	PLR	M-B	-	2	-	-	-	-	-	8	9	10	-	-	-	-	SALEABLE		34950-2011	34950-2021	34951-1631	34951-1641
MX150 ASSY BLD 2X10 BK A/12	334822425	A-BLACK	GCP	PLR	M-B	-	-	-	-	-	-	-	-	9	10	-	-	-	-	SALEABLE		34950-2011	34950-2021	34951-1631	34951-1641
MX150 ASSY BLD 2X10 BK A/6	334822426	A-BLACK	GCP	PLR	M-B	-	2	-	-	-	-	-	8	9	10	-	-	-	-	SALEABLE		34950-2011	34950-2021	34951-1631	34951-1641
MX150 ASSY BLD 2X10 BK A/12	334822427	A-BLACK	GCP	PLR	M-B	1	-	-	-	-	-	-	-	-	-	-	-	-	-	SALEABLE		34950-2011	34950-2021	34951-1631	34951-1641
MX150 ASSY BLD 2X10 BK A/17	334822428	A-BLACK	GCP	PLR	M-B	-	-	-	-	-	-	-	-	-	-	-	-	-	-	SALEABLE		34950-2011	34950-2021	34951-1631	34951-1641
MX150 ASSY BLD 2X10 LTB A/16	334822429	A-LIGHT BLUE	GCP	PLR	M-B	-	-	3	-	-	-	7	-	-	-	-	-	-	-	SALEABLE		34950-2011	34950-2021	34951-1631	34951-1641
MX150 ASSY BLD 2X10 LTB A/0	334822430	A-LIGHT BLUE	GCP	PLR	M-B	1	2	3	4	5	6	7	8	9	10	-	-	-	-	SALEABLE		34950-2011	34950-2021	34951-1631	34951-1641
MX150 ASSY BLD 2X10 LTB A/19	334822431	A-LIGHT BLUE	GCP	PLR	M-B	-	-	-	-	-	-	-	-	-	-	-	-	-	-	SALEABLE		34950-2011	34950-2021	34951-1631	34951-1641
MX150 ASSY BLD 2X10 LTB A/14	334822432	A-LIGHT BLUE	GCP	PLR	M-B	-	-	3	-	-	-	7	-	-	-	-	-	-	-	SALEABLE		34950-2011	34950-2021	34951-1631	34951-1641
MX150 ASSY BLD 2X10 BK A/8	334822433	A-BLACK	GCP	PLR	M-B	-	2	3	4	5	6	7	-	-	10	-	-	-	-	SALEABLE		34950-2011	34950-2021	34951-1631	34951-1641
MX150 ASSY BLD 2X10 BK A/14	334822434	A-BLACK	GCP	PLR	M-B	-	-	-	-	-	-	-	-	-	-	-	-	-	-	SALEABLE		34950-2011	34950-2021	34951-1631	34951-1641
MX150 ASSY BLD 2X10 BK A/7	334822435	A-BLACK	GCP	PLR	M-B	-	2	3	4	5	6	7	-	9	10	-	-	-	-	SALEABLE		34950-2011	34950-2021	34951-1631	34951-1641
MX150 ASSY BLD 2X10 BK A/17	334822436	A-BLACK	GCP	PLR	M-B	-	-	-	-	-	-	-	-	-	-	-	-	-	-	SALEABLE		34950-2011	34950-2021	34951-1631	34951-1641



**MX150 2X10 BLADE SEALED ASSEMBLY MAT SEAL  
BOM AND PIN OUT SHEET**

ASSEMBLY DESCRIPTION	ASSEMBLY PART NUMBER	COMPONENT				BLOCKED TERMINALS										STATUS	COMMENT	OPTIONAL ATTACHMENTS SOLD SEPARATELY			
		THE PRESENCE OF AN ABBREVIATION INDICATES THE PRESENCE OF THAT COMPONENT				CAVITY WITH A NUMBER INDICATES BLOCKED TERMINAL POSITION CAVITY WITHOUT A NUMBER INDICATES OPEN TERMINAL POSITION												BACKSHELL WITH RIBS	BACKSHELL WITHOUT RIBS	90° ADAPTOR WITH RIBS	90° ADAPTOR WITHOUT RIBS
		HOUSING KEY/COLOR	GROMMET CAP	PLR	MAT SEAL	-	-	-	-	-	-	7	8	-	-						
MX150 ASSY BLD 2X10 BK A/12	334822437	A-BLACK	GCP	PLR	M-B	-	-	-	-	-	-	7	8	-	-	SALEABLE		34950-2011	34950-2021	34951-1631	34951-1641
						-	12	13	14	15	16	17	-	-	-						
MX150 ASSY BLD 2X10 LG B/12	334822438	B-LIGHT GRAY	GCP	PLR	M-B	-	-	-	4	5	6	-	8	-	-	SALEABLE		34950-2011	34950-2021	34951-1631	34951-1641
						-	-	13	-	-	16	-	-	19	20						

TABLE OF CONTENTS	
SHEET NO.	SHEET DESCRIPTION
1	NOTES AND BOM
2	CONFIGURATIONS
3-4	KEY CONFIGURATIONS
5	BLADE SEALED ASSEMBLY
6	SYSTEM PACKAGING
7	BACKSHELL NOTES
8	BACKSHELL
9	BACKSHELL CONFIGURATIONS

NOTES: VALID UNLESS OTHERWISE SPECIFIED

1. GENERAL:  
a. APPLICATION SPECIFICATION SEE: AS-33472-100  
-CONTAINS: PRODUCT INTRODUCTION, PRODUCT SUMMARY, CONNECTOR ASSEMBLY, PACKAGING INFORMATION, CONNECTOR MATING, SERVICE INSTRUCTIONS, ELECTRICAL CONTINUITY CHECKING, CRIMPING, AND TROUBLESHOOTING.  
-DESIGNED TO MATE WITH RECEPTACLE SEALED ASSEMBLY AS SPECIFIED IN THE MATING CONNECTOR DRAWINGS CHART.  
\*DENOTES DRAWINGS THAT CAN BE ACCESSED AT <http://ewcap.uscarteams.org/>.  
-ASSEMBLY SHIPPED WITH PLR IN PRE-LOCK POSITION (SEE PLR PRE-LOCK VIEW SHEET 5).

b. PRODUCT SPECIFICATION SEE:  
-STANDARD CONFIGURATION: PS-33472-000  
-UL V0 CONFIGURATION: TBD  
CONTAINS: PRODUCT INTRODUCTION, PRODUCT SUMMARY, RATINGS (CURRENT, TEMPERATURE, SEALING, AND FLAMMABILITY), TERMINALS, WIRE DIAMETER RANGE, PRODUCT VALIDATION, AND PRODUCT DEVIATIONS.

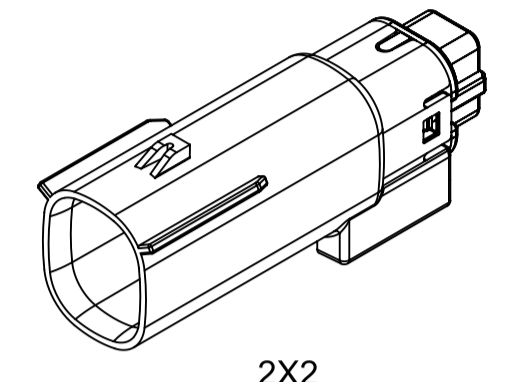
c. PACKAGING SPECIFICATION PER MOLEX DRAWING: PK-31300-903  
d. PARTS MUST BE IN COMPLIANCE TO MOLEX CHEMICAL SUBSTANCES FOR PRODUCTS AND PACKAGING SPECIFICATION: QEHS-699000-300  
e. DATA MUST BE SUBMITTED UNDER THE MOLEX PART NUMBER TO IMDS (COMPANY ID#13255)

2. DESIGN - MATERIALS:  
a. FOR BILL OF MATERIALS: SEE BOM CHART

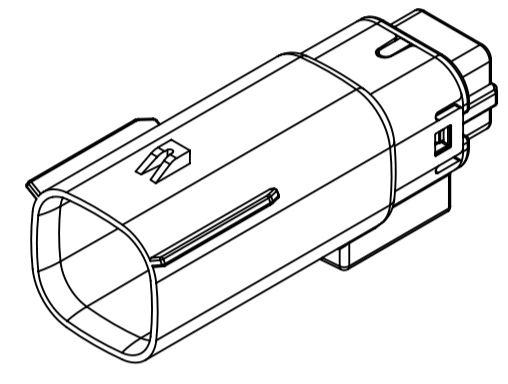
3. DESIGN - GEOMETRY:  
a. THE 3-D CAD DATA IS BASIC (WITHOUT TOLERANCE) AND MASTER FOR THIS PART WITH THE EXCEPTION OF UNDERLINED DIMENSIONS. DIMENSIONAL INFORMATION NOT SHOWN ON THIS DRAWING IS DEFINED BY THE DATA FILE AT ITS LATEST REVISION.  
b. GEOMETRIC DIMENSIONS AND TOLERANCES PER ASME Y14.5M-2009  
c. EDGES AND UNDIMENSIONED DETAILS PER ISO13715  
d. CORNERS SHOWN AS SHARP TO BE R 0.2 MAX.  
e. LETTERING SHALL BE 0.15 MAX RAISED IN 0.25 MAX RECESS PAD. THIS INCLUDES RECYCLING CODE, CAVITY ID, VENDOR IDENTIFICATION, AND CUSTOMER MATERIAL NUMBER.  
f. VISUAL DEFECTS SHALL MEET COSMETIC STANDARD PS-45499-002 (Class B).  
g. LASER MARKING:  
1. PART NUMBER  
2. DAY OF THE YEAR  
3. SHIFT  
4. YEAR  
FOR ADDITIONAL INFORMATION SEE SECTION 5 UNDER PROCEDURES IN ES-34735-008.

BILL OF MATERIALS (BOM)	
DESCRIPTION	DRAWING NO.
UL V0 VERSION	SD-160084-0002
STANDARD 2X2	334820402
STANDARD 2X3	334820602
STANDARD 2X4	334820802
STANDARD 2X6	334821202
STANDARD 2X8	334821602
STANDARD 2X10	334822002

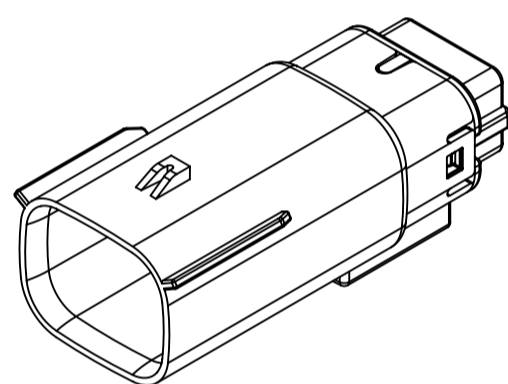
MATING CONNECTOR DRAWINGS	
DESCRIPTION	MOLEX INLINE
2X2	SD-33472-0001
2X3	SD-33472-0001
2X4	SD-33472-0001
2X6	SD-33472-0001
2X8	SD-33472-0001
2X10	SD-33472-0001



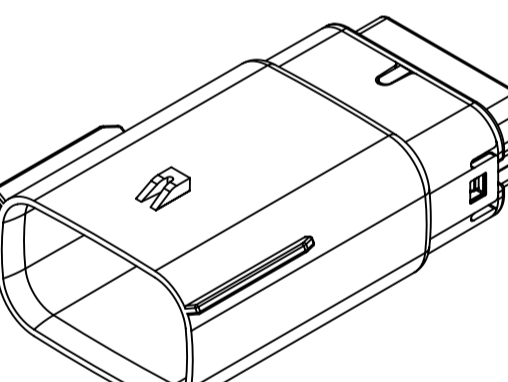
2X2



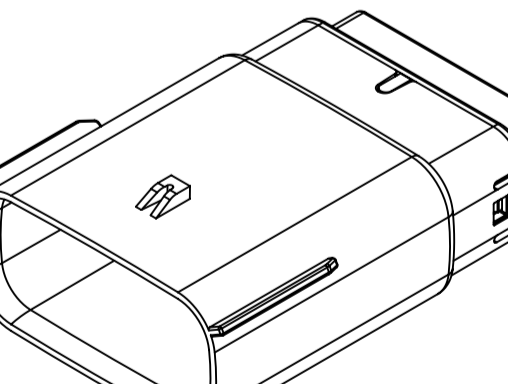
2X3



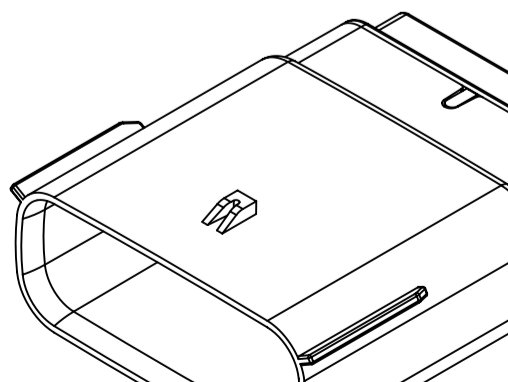
2X4



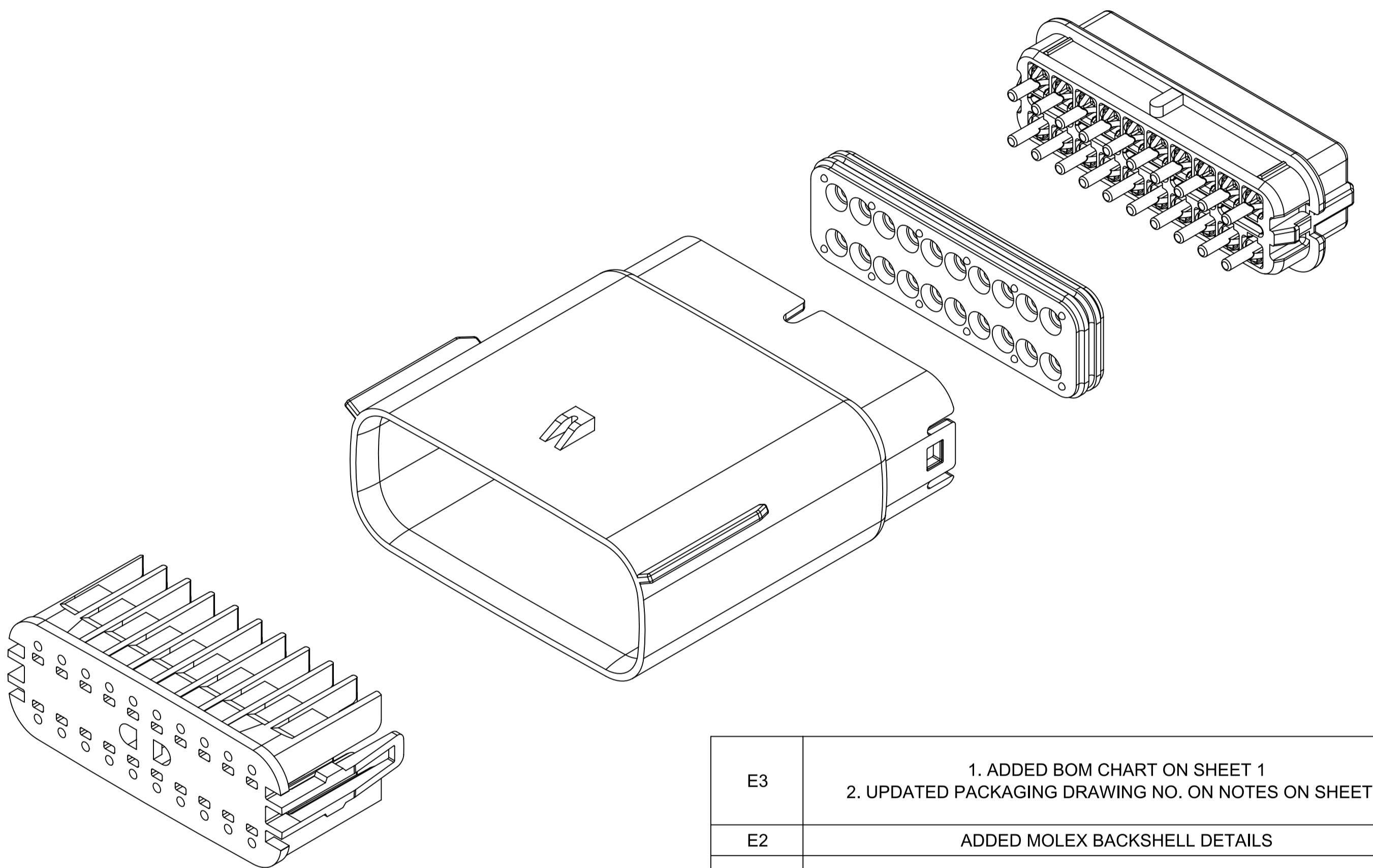
2X6



2X8



2X10

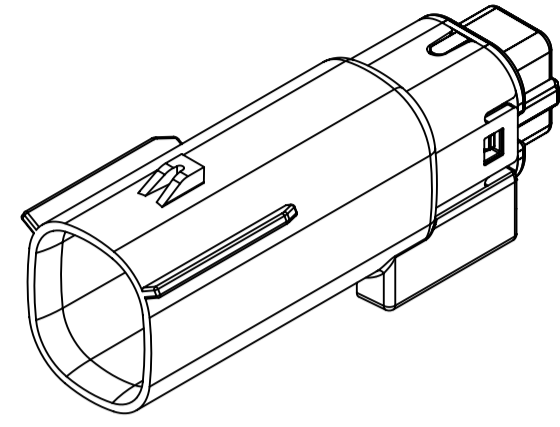


INSPECTION NUMBER LOG	
LAST NUMBER:	9
ADDED:	
REMOVED:	

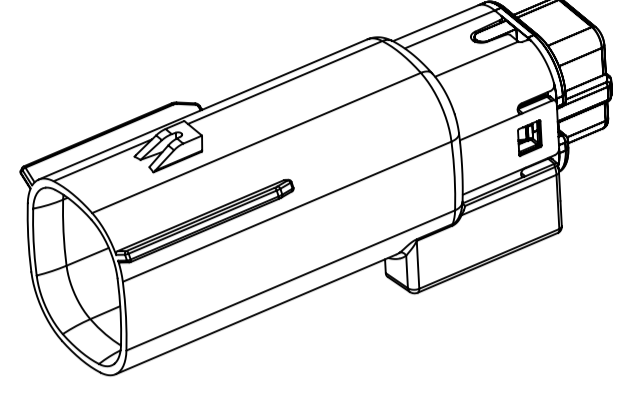
E3	1. ADDED BOM CHART ON SHEET 1 2. UPDATED PACKAGING DRAWING NO. ON NOTES ON SHEET 1
E2	ADDED MOLEX BACKSHELL DETAILS
E1	MIGRATED FROM COCREATE AND IMPORTED DXF FILES
E	ADDED CHARTED DIMENSIONS FOR 2X2, 2X4, 2X6 AND 2X8 WITH CLIPSLLOT
D	MINOR GEOMETRY CHANGE FOR UL V0
C3	ADD 2X4
C2	ADD 2X3
C1	ADD UL V0 CONFIGURATIONS
C	ADD 2X8
B1	ADD 2X6 BACKSHELL INFO
B	ADD 2X6
A	INITIAL RELEASE
REV	REV DESCRIPTION

<b>FUNCTIONAL SYMBOLS</b> FA = 0 FE = 0 FP = 0 <b>DIVISIONAL SYMBOLS</b>	THIS DRAWING CONTAINS INFORMATION THAT IS PROPRIETARY TO MOLEX ELECTRONIC TECHNOLOGIES, LLC AND SHOULD NOT BE USED WITHOUT WRITTEN PERMISSION DIMENSION UNITS: <b>mm</b> SCALE: <b>1.5:1</b> GENERAL TOLERANCES (UNLESS SPECIFIED) ANGULAR TOL ± 1' 4 PLACES ± 3 PLACES ± 2 PLACES ± 0.100 1 PLACE ± 0.20 0 PLACES ± DRAFT WHERE APPLICABLE MUST REMAIN WITHIN DIMENSIONS	CURRENT REV DESC:  STATUS: Production DRWN: Yann Chen CHK'D: Yu Chao Fu APPR: Elvis Song THIRD ANGLE PROJECTION	<div style="text-align: center;"><b>molex</b></div> <div style="text-align: center;">MX150 BLADE DUAL ROW SEALED ASSEMBLY</div> <div style="text-align: center;">PRODUCT SALES DRAWING</div>
	DRAFT WHERE APPLICABLE MUST REMAIN WITHIN DIMENSIONS	DRWG: A1-SIZE SERIES: 33482	DOCUMENT NUMBER: SD-33482-0001 DOC TYPE: PSD DOC PART: 001 REVISION: E3

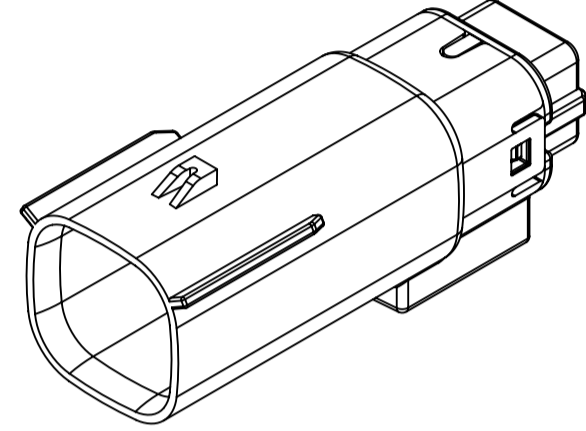
SHEET DESCRIPTION  
CONFIGURATIONS



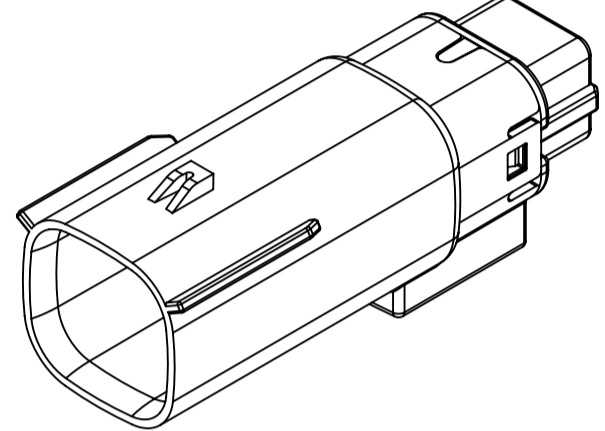
2X2 - STANDARD (STD)



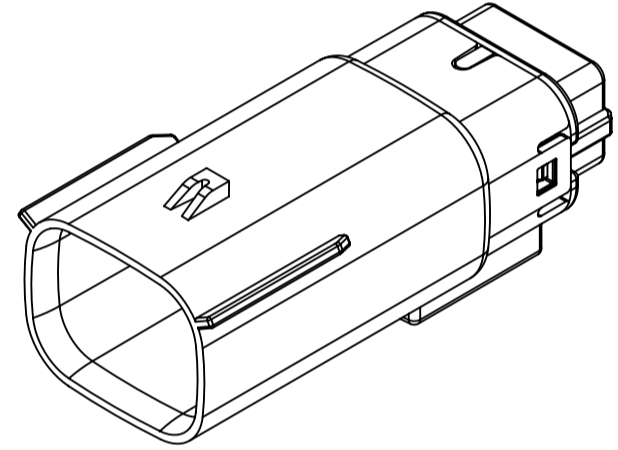
2X2 - UL V0\*



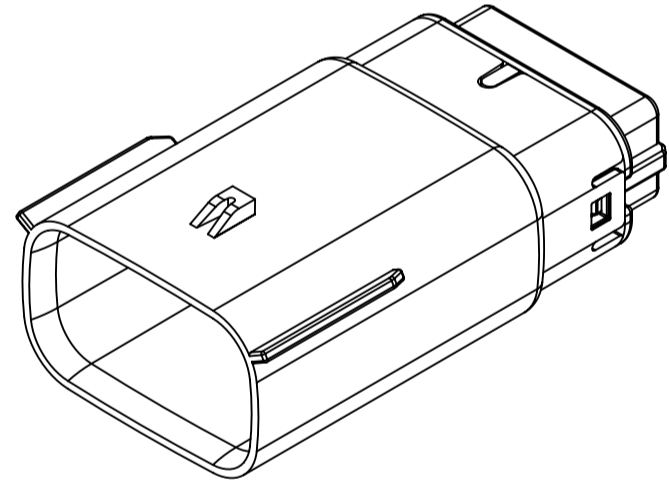
2X3 - STANDARD (STD)



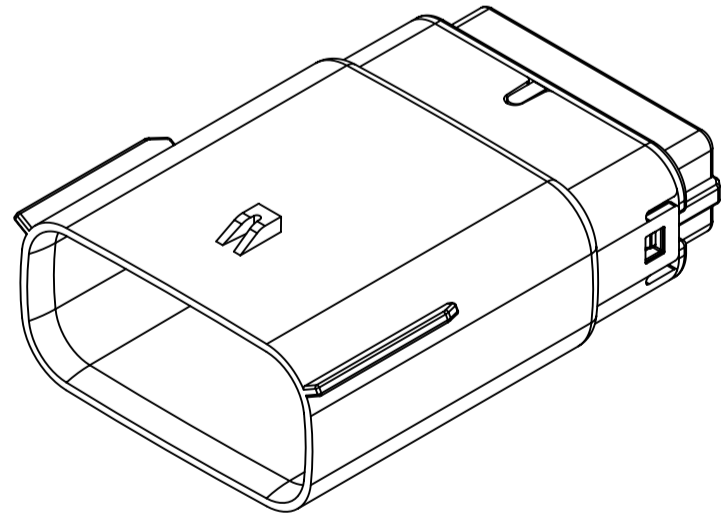
2X3 - LENGTHENED



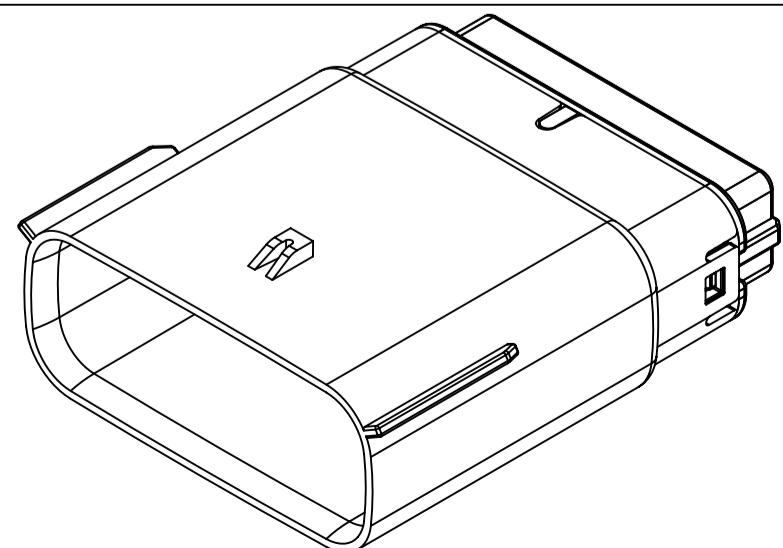
2X4 - STANDARD (STD)



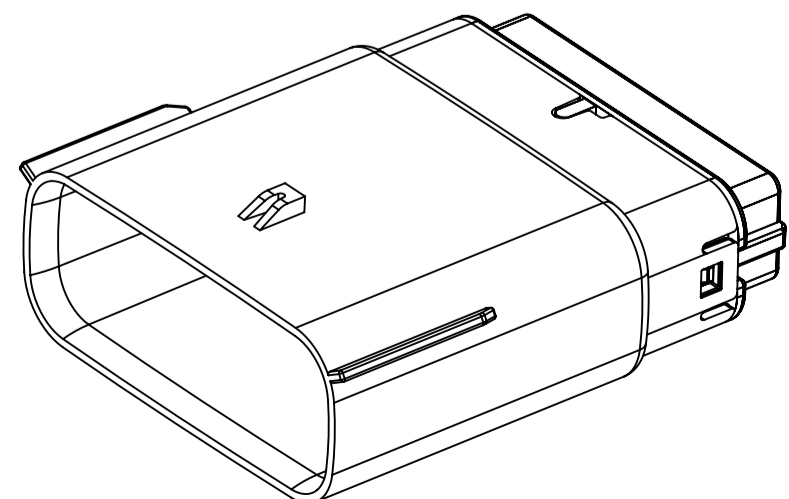
2X6 - STANDARD (STD)



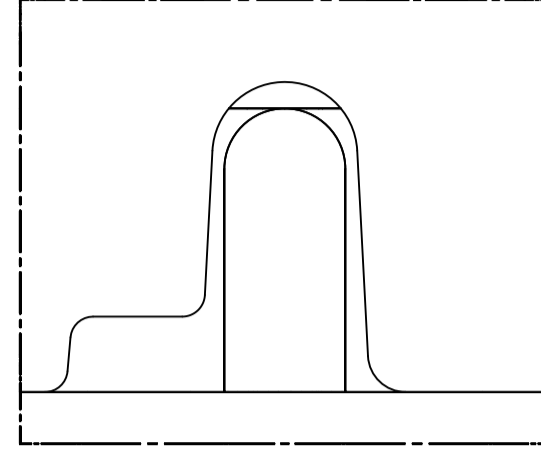
2X8 - STANDARD (STD)



2X10 - STANDARD (STD)



2X10 - UL V0\*

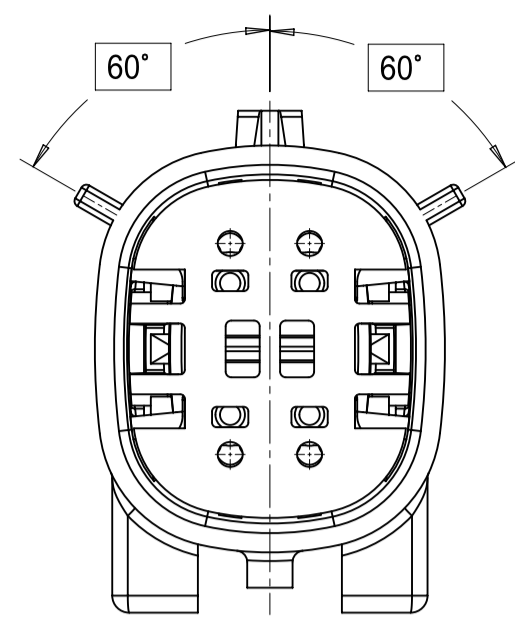


UL V0 UNIQUE FEATURE  
Partial1  
SCALE 10:1

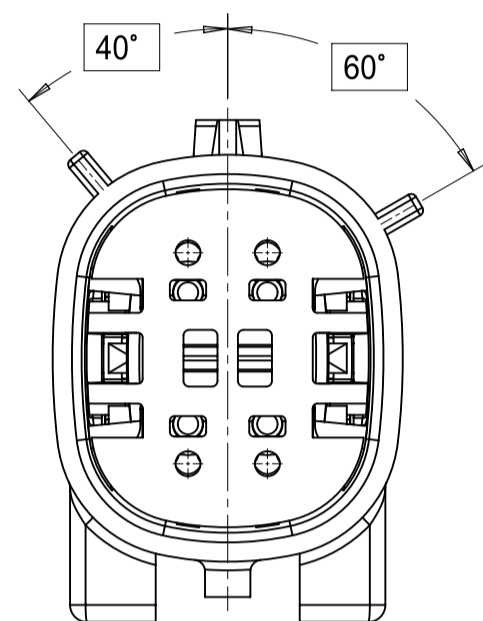
\* MINOR GEOMETRY CHANGE THAN STANDARD CONFIGURATION.  
SEE NOTE 2a FOR MORE INFORMATION

FUNCTIONAL SYMBOLS FA = 0 FC = 0 FP = 0	THIS DRAWING CONTAINS INFORMATION THAT IS PROPRIETARY TO MOLEX ELECTRONIC TECHNOLOGIES, LLC AND SHOULD NOT BE USED WITHOUT WRITTEN PERMISSION		CURRENT REV DESC:						
	DIMENSION UNITS	SCALE	STATUS: Production						DOCUMENT NUMBER
	mm	1.5:1	DRWN: Yann Chen		SD-33482-0001		PSD	001	E3
	GENERAL TOLERANCES (UNLESS SPECIFIED)		CHK'D: Yu Chao Fu		2023-09-26				
	ANGULAR TOL ± 1'		APPR: Elvis Song		2023-09-27				
DIVISIONAL SYMBOLS	4 PLACES ±	DRAFT WHERE APPLICABLE MUST REMAIN WITHIN DIMENSIONS		THIRD ANGLE PROJECTION	DRAWING	SERIES	MATERIAL NUMBER	CUSTOMER	SHEET NUMBER
	3 PLACES ±				A1-SIZE	33482		GENERAL MARKET	2 OF 11
	2 PLACES ± 0.100								
	1 PLACE ± 0.20								
	0 PLACES ±								

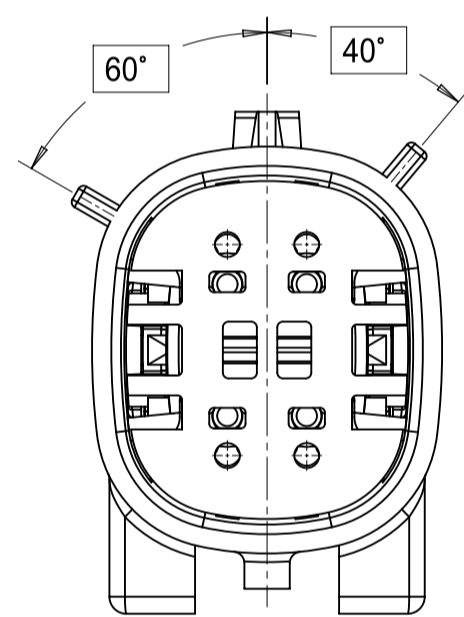
2X2



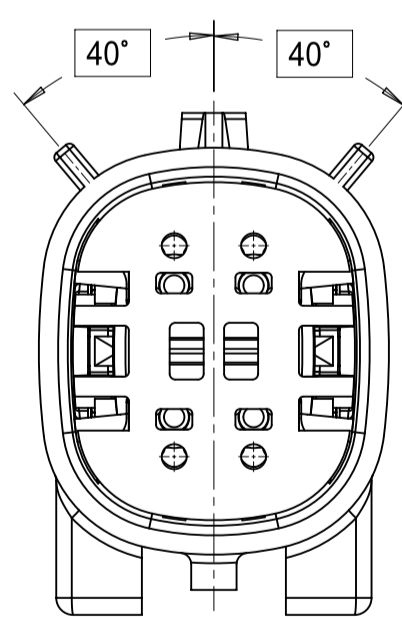
KEY A



KEY B

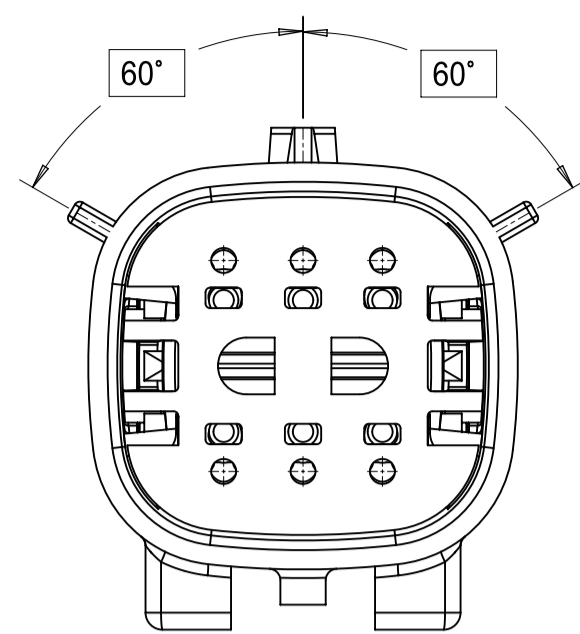


KEY C

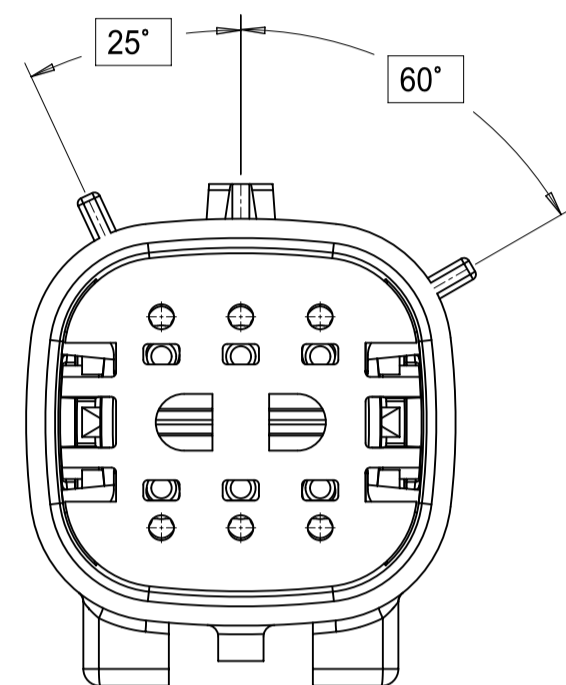


KEY D

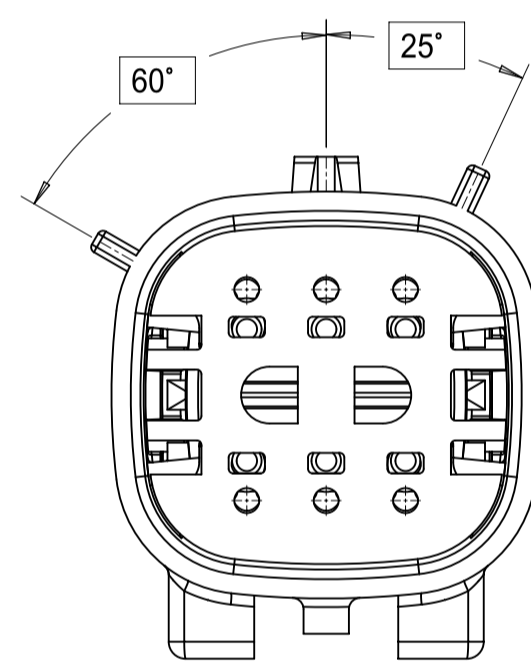
2X3



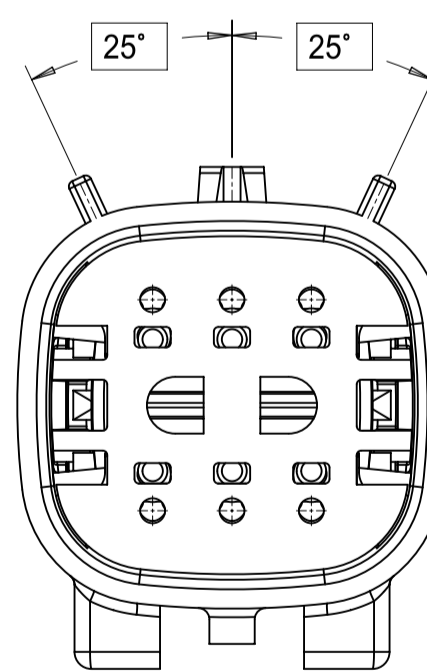
KEY A



KEY B

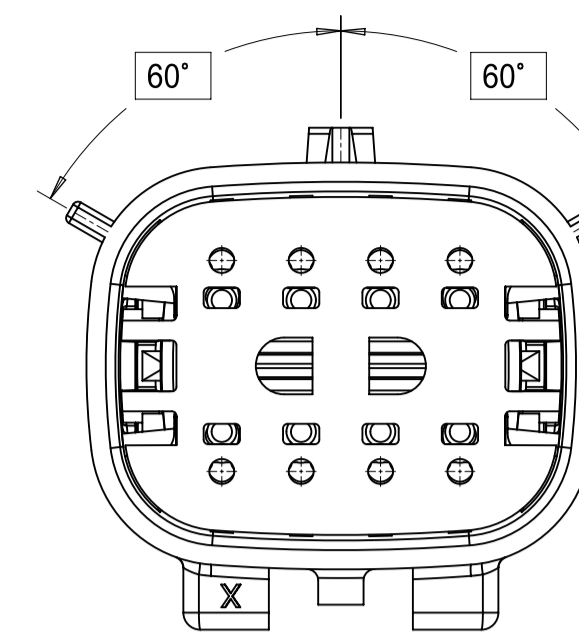


KEY C

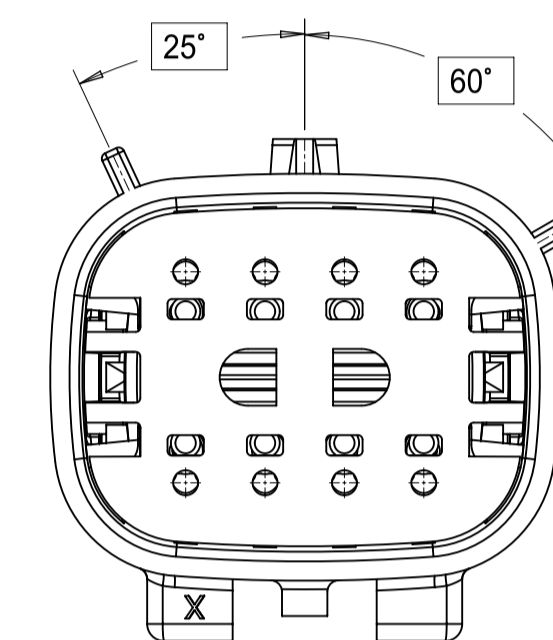


KEY D

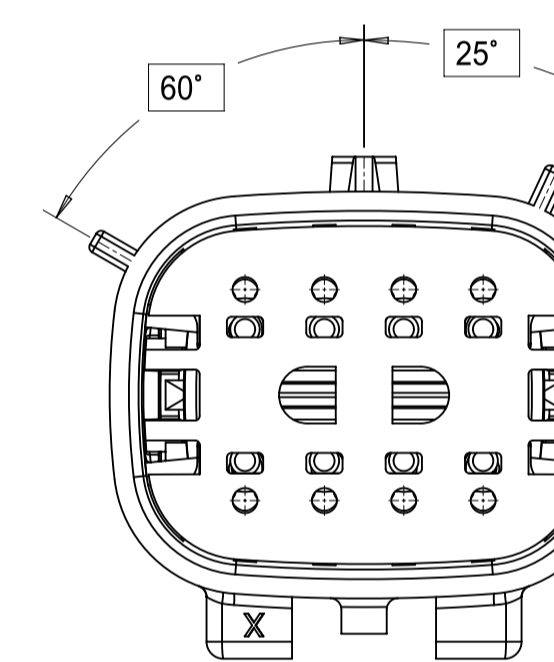
2X4



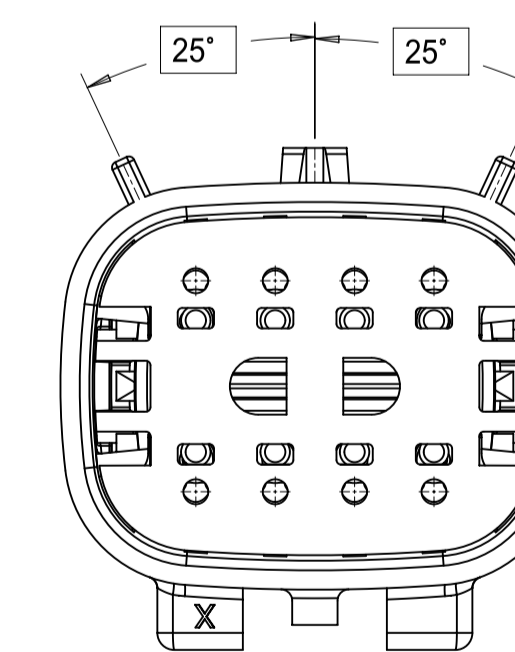
KEY A



KEY B



KEY C



KEY D

<b>FUNCTIONAL SYMBOLS</b> FA = 0 FC = 0 FP = 0 <b>DIVISIONAL SYMBOLS</b> 2 PLACES ± 0.100 1 PLACE ± 0.20 0 PLACES ±	THIS DRAWING CONTAINS INFORMATION THAT IS PROPRIETARY TO MOLEX ELECTRONIC TECHNOLOGIES, LLC AND SHOULD NOT BE USED WITHOUT WRITTEN PERMISSION		CURRENT REV DESC:	
	DIMENSION UNITS <b>mm</b>	SCALE <b>3:1</b>	STATUS: Production DRWN: Yann Chen CHK'D: Yu Chao Fu APPR: Elvis Song	
	GENERAL TOLERANCES (UNLESS SPECIFIED) ANGULAR TOL ± 1°		2023-09-26 2023-09-26 2023-09-27	DOCUMENT NUMBER <b>SD-33482-0001</b>
	DRAFT WHERE APPLICABLE MUST REMAIN WITHIN DIMENSIONS		THIRD ANGLE PROJECTION 	DRAWING <b>A1-SIZE</b>
		SERIES <b>33482</b>	CUSTOMER <b>GENERAL MARKET</b>	SHEET NUMBER <b>3 OF 11</b>

**molex**

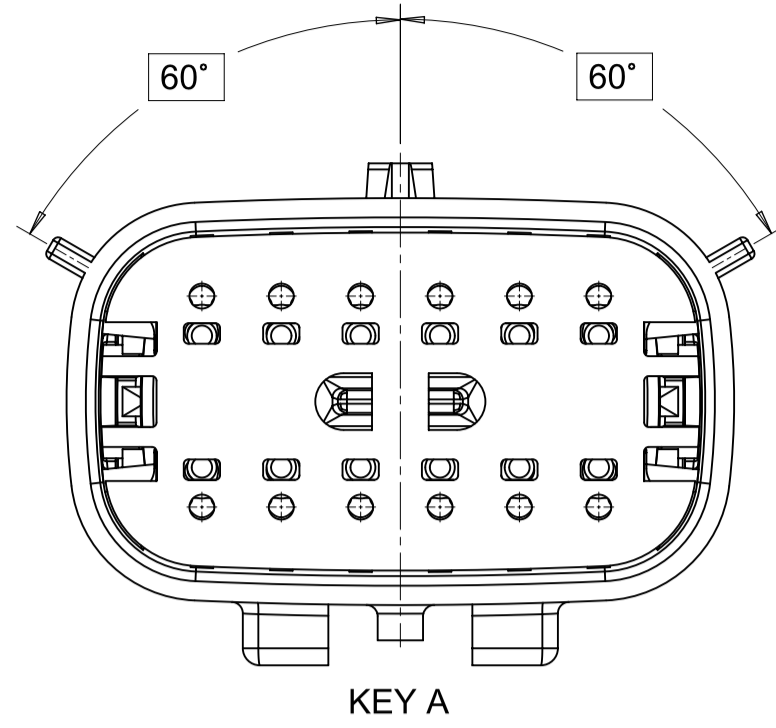
MX150 BLADE  
DUAL ROW SEALED ASSEMBLY

PRODUCT SALES DRAWING

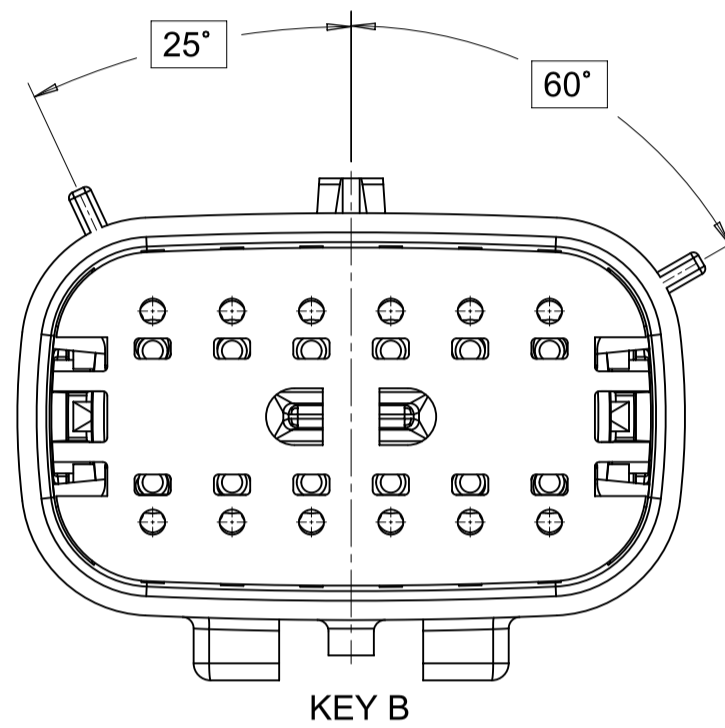
DOC TYPE	DOC PART	REVISION
PSD	001	E3

MATERIAL NUMBER	CUSTOMER	SHEET NUMBER
	GENERAL MARKET	3 OF 11

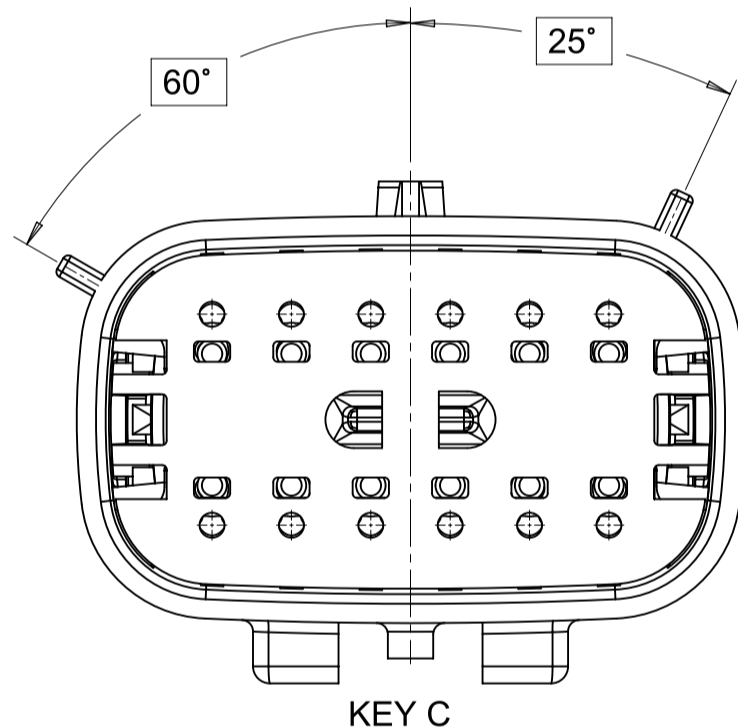
2X6



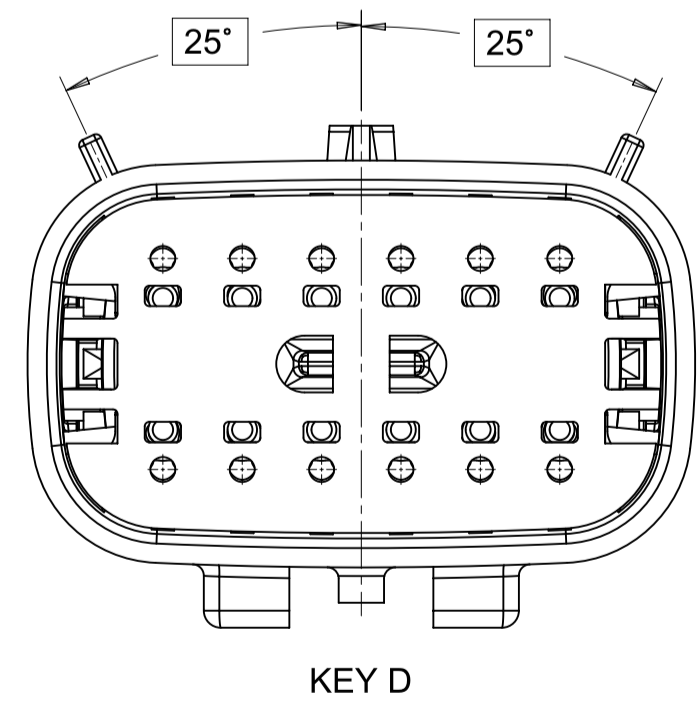
KEY A



KEY B

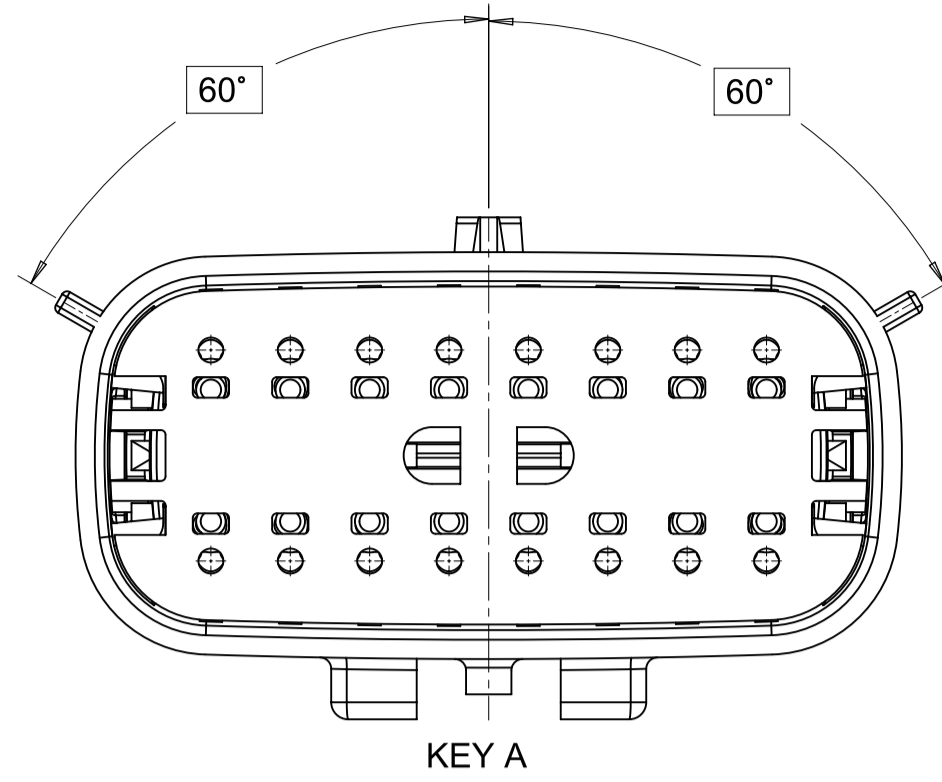


KEY C

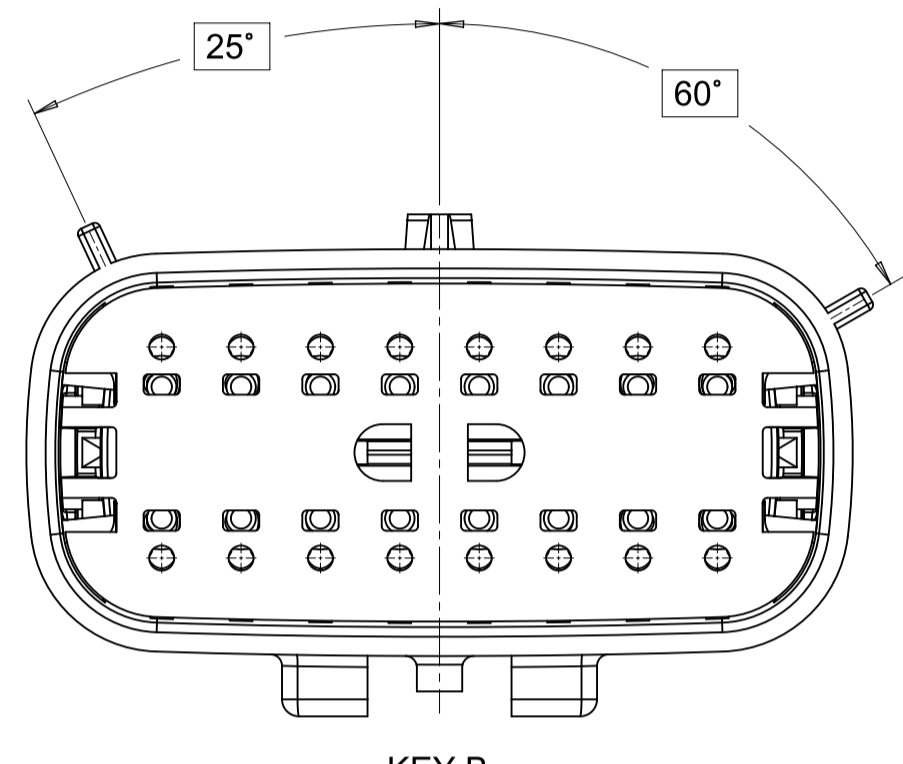


KEY D

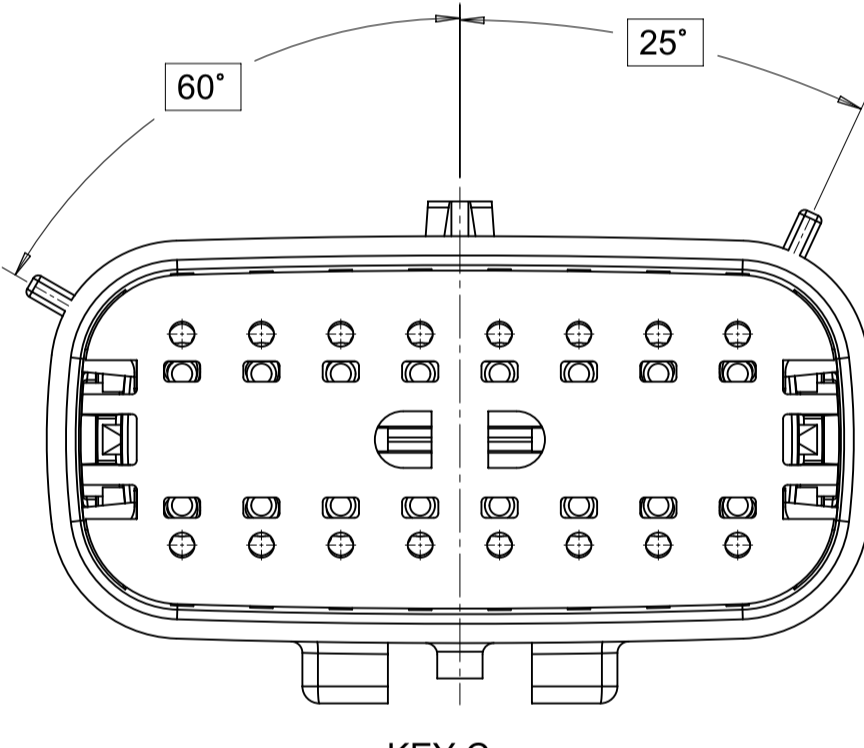
2X8



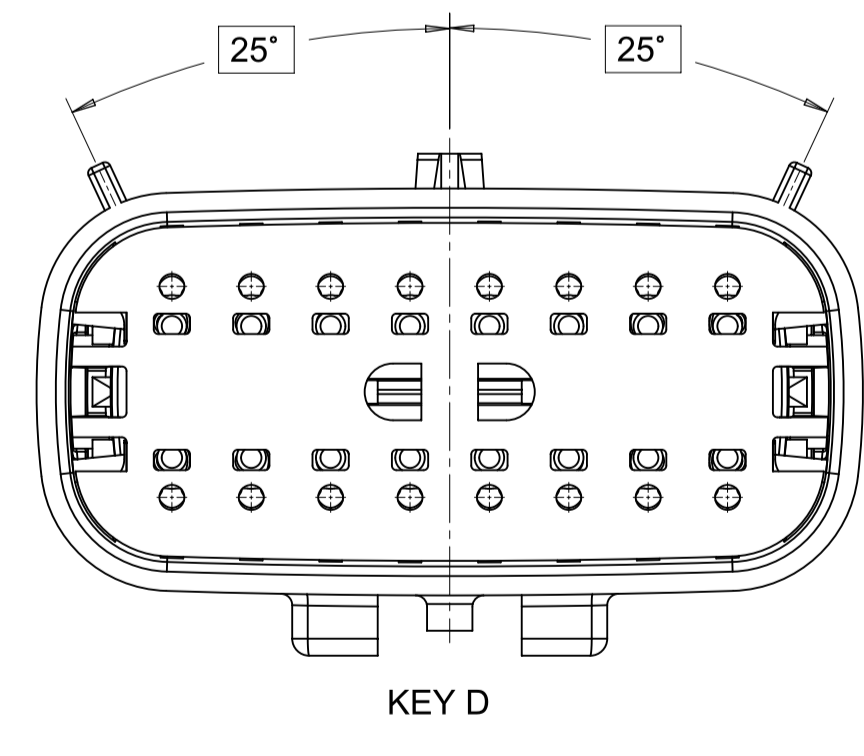
KEY A



KEY B

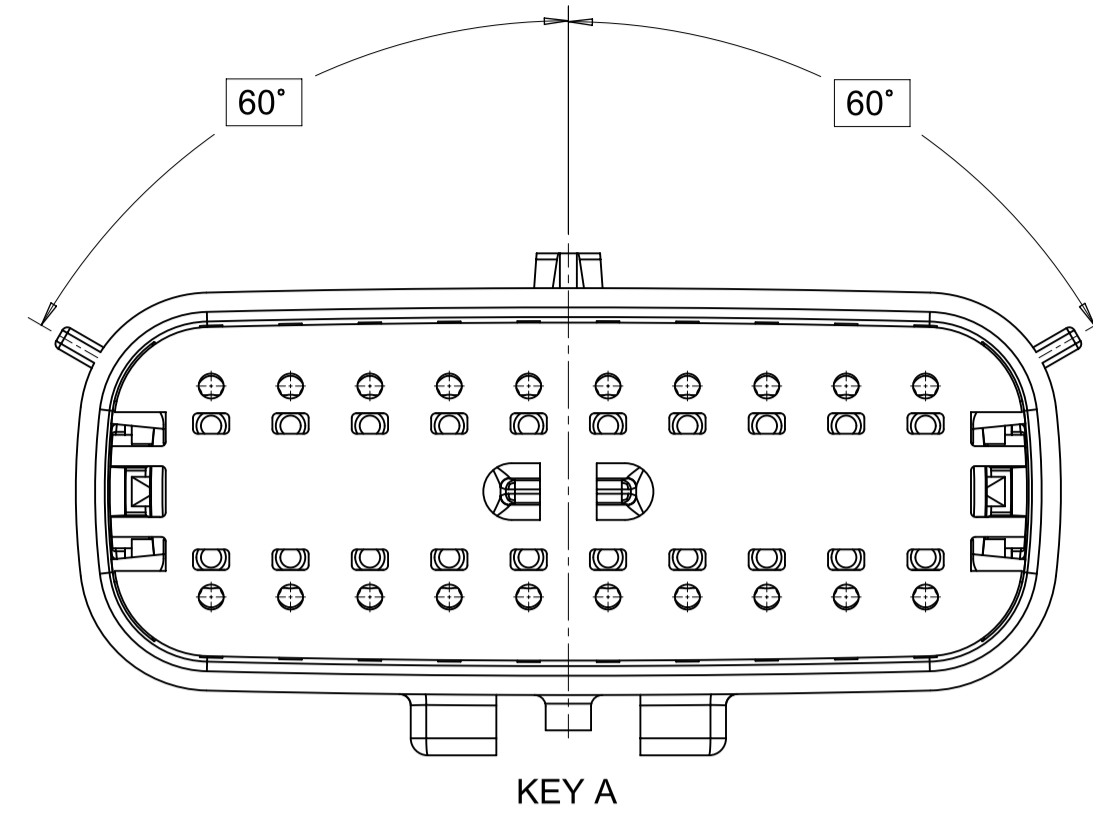


KEY C

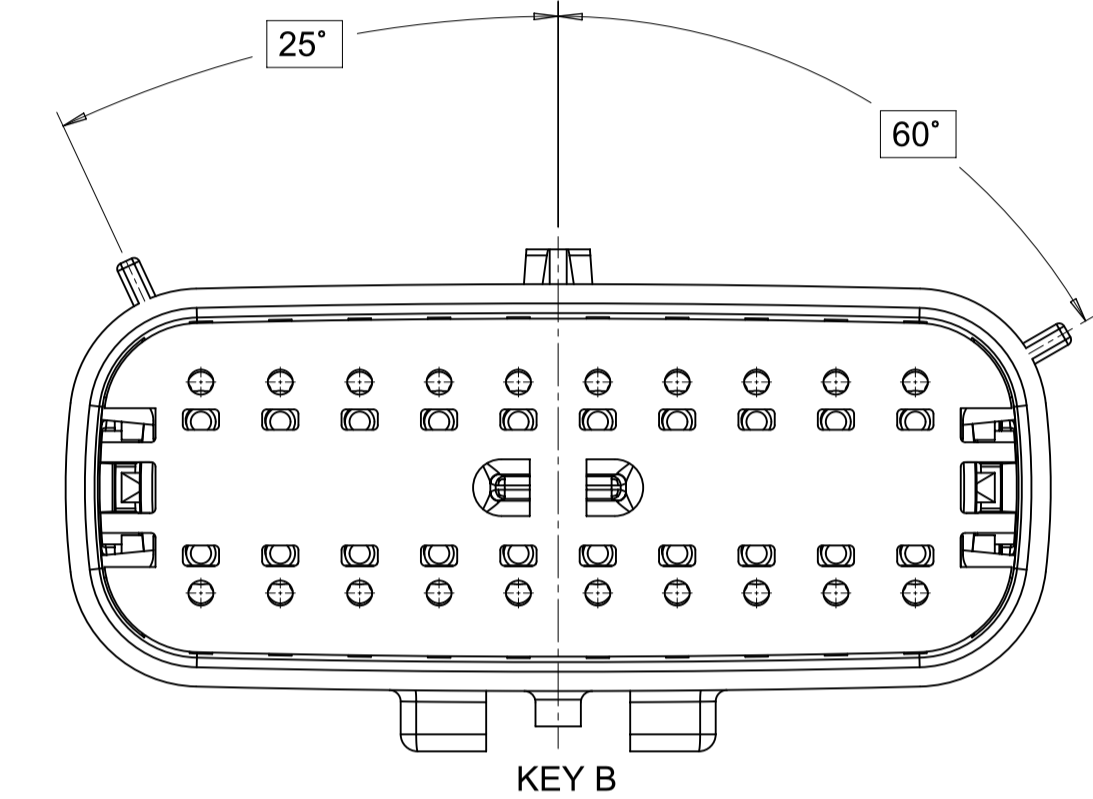


KEY D

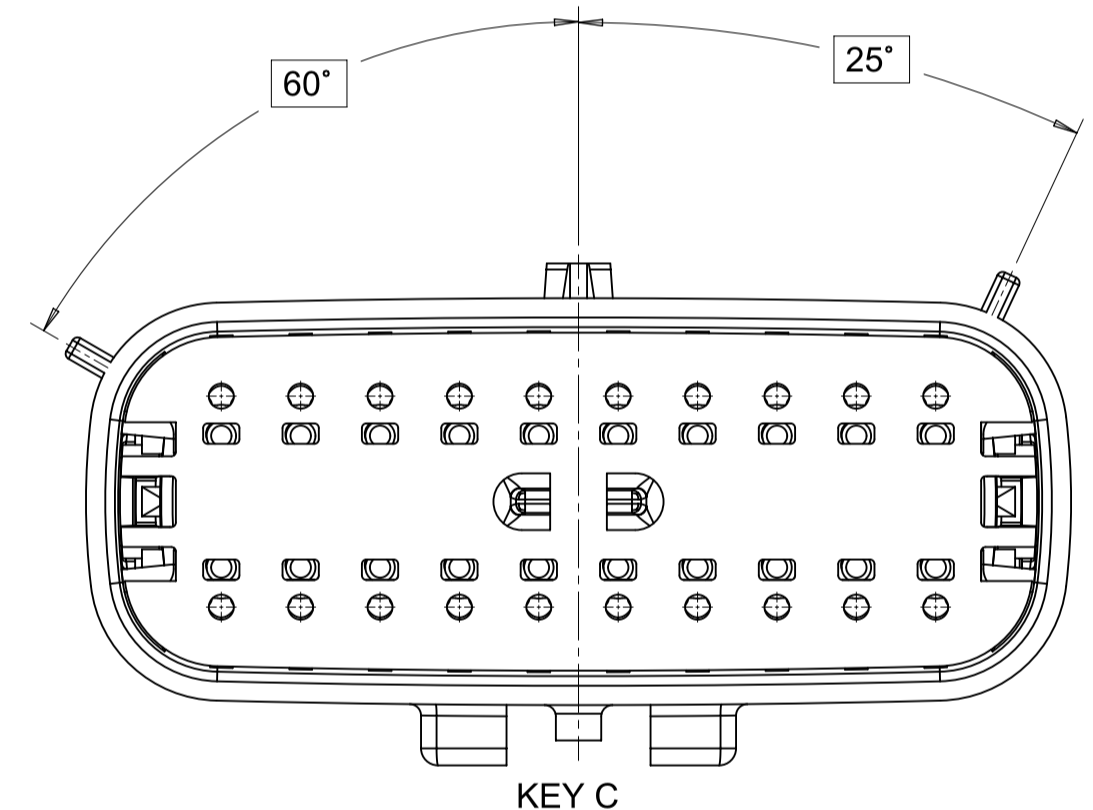
2X10



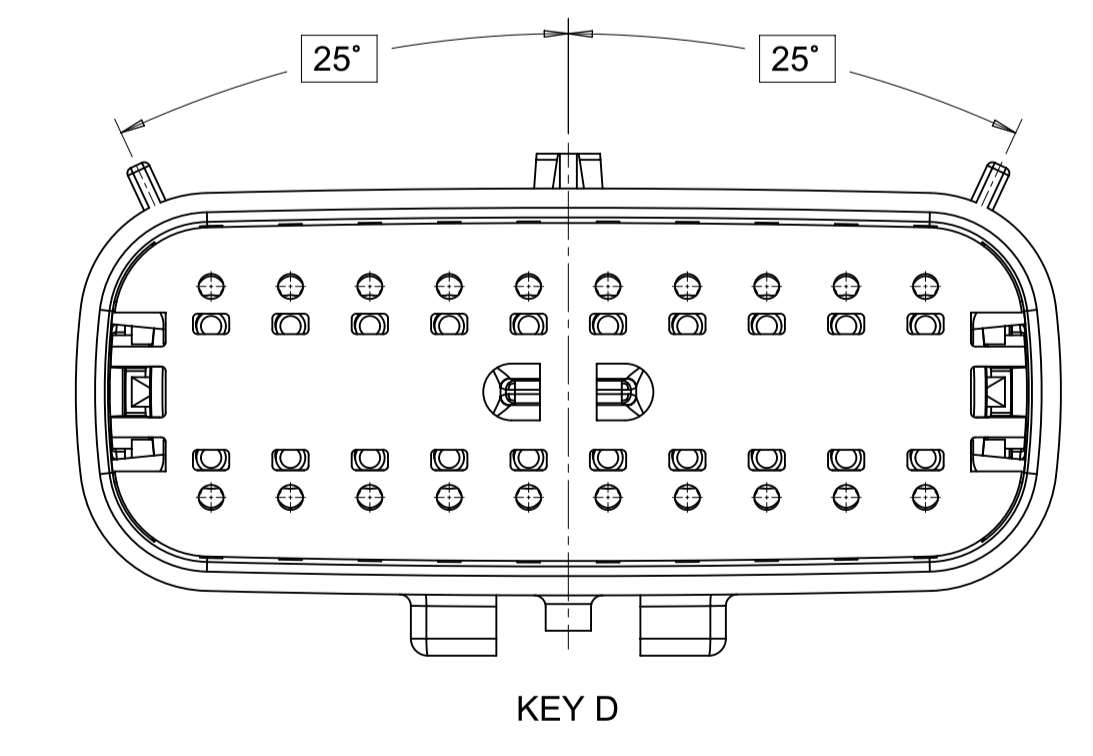
KEY A



KEY B



KEY C



KEY D

<b>FUNCTIONAL SYMBOLS</b> FA = 0 FC = 0 FP = 0 <b>DIVISIONAL SYMBOLS</b>	THIS DRAWING CONTAINS INFORMATION THAT IS PROPRIETARY TO MOLEX ELECTRONIC TECHNOLOGIES, LLC AND SHOULD NOT BE USED WITHOUT WRITTEN PERMISSION		CURRENT REV DESC:	
	DIMENSION UNITS	SCALE	STATUS: Production	
	mm	3:1	DRWN: Yann Chen	
	GENERAL TOLERANCES (UNLESS SPECIFIED)		CHK'D: Yu Chao Fu	
ANGULAR TOL ± 1'		APPR: Elvis Song		2023-09-26
4 PLACES ±		2023-09-26		2023-09-27
3 PLACES ±		2023-09-27		
2 PLACES ± 0.100		DRAFT WHERE APPLICABLE MUST REMAIN WITHIN DIMENSIONS		
1 PLACE ± 0.20		THIRD ANGLE PROJECTION		
0 PLACES ±		DRAWING		
		A1-SIZE		
		SERIES		
		33482		
		MATERIAL NUMBER		
		CUSTOMER		
		GENERAL MARKET		
		SHEET NUMBER		
		4 OF 11		

**molex**

MX150 BLADE  
DUAL ROW SEALED ASSEMBLY

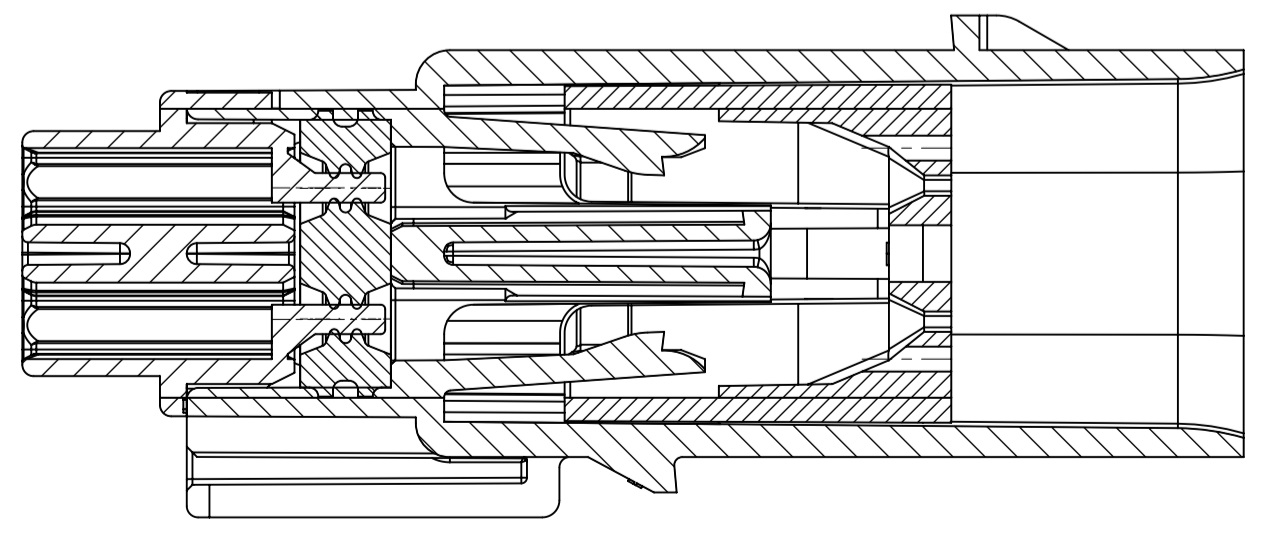
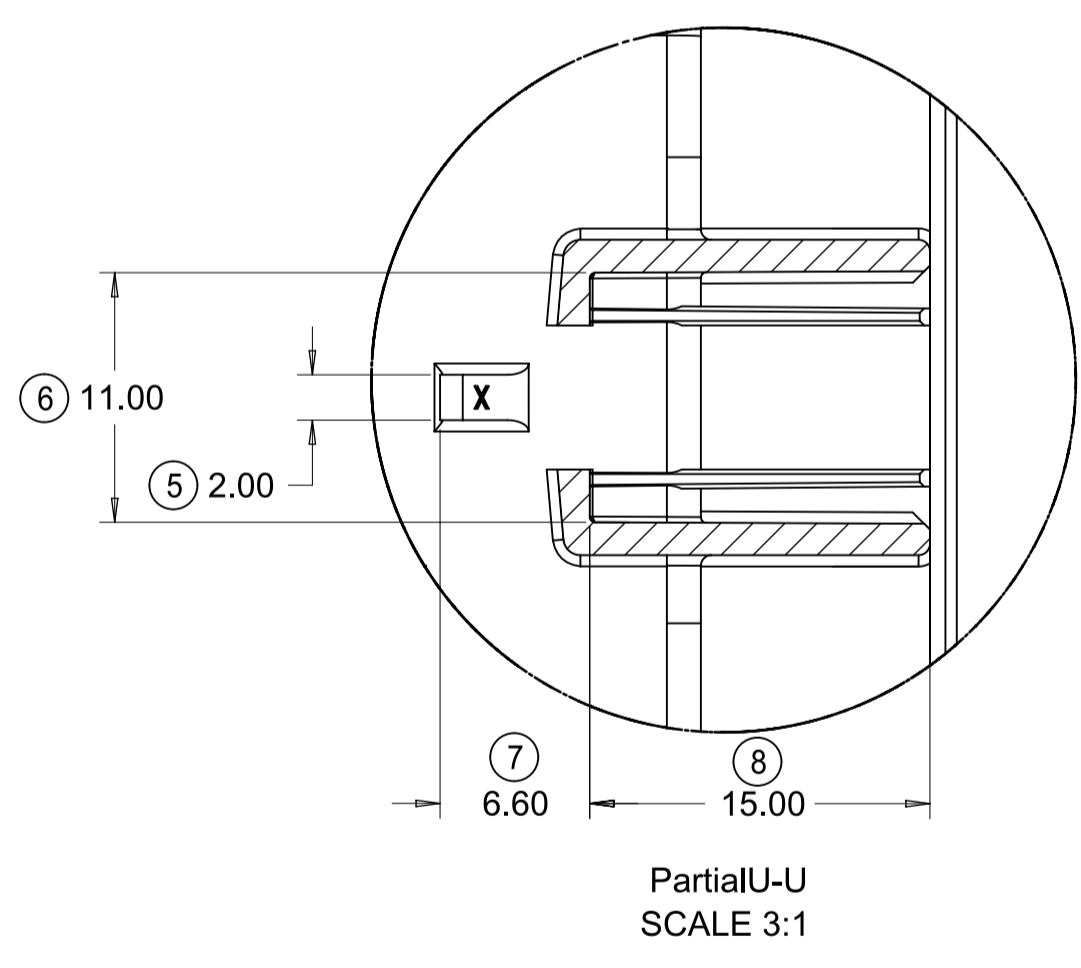
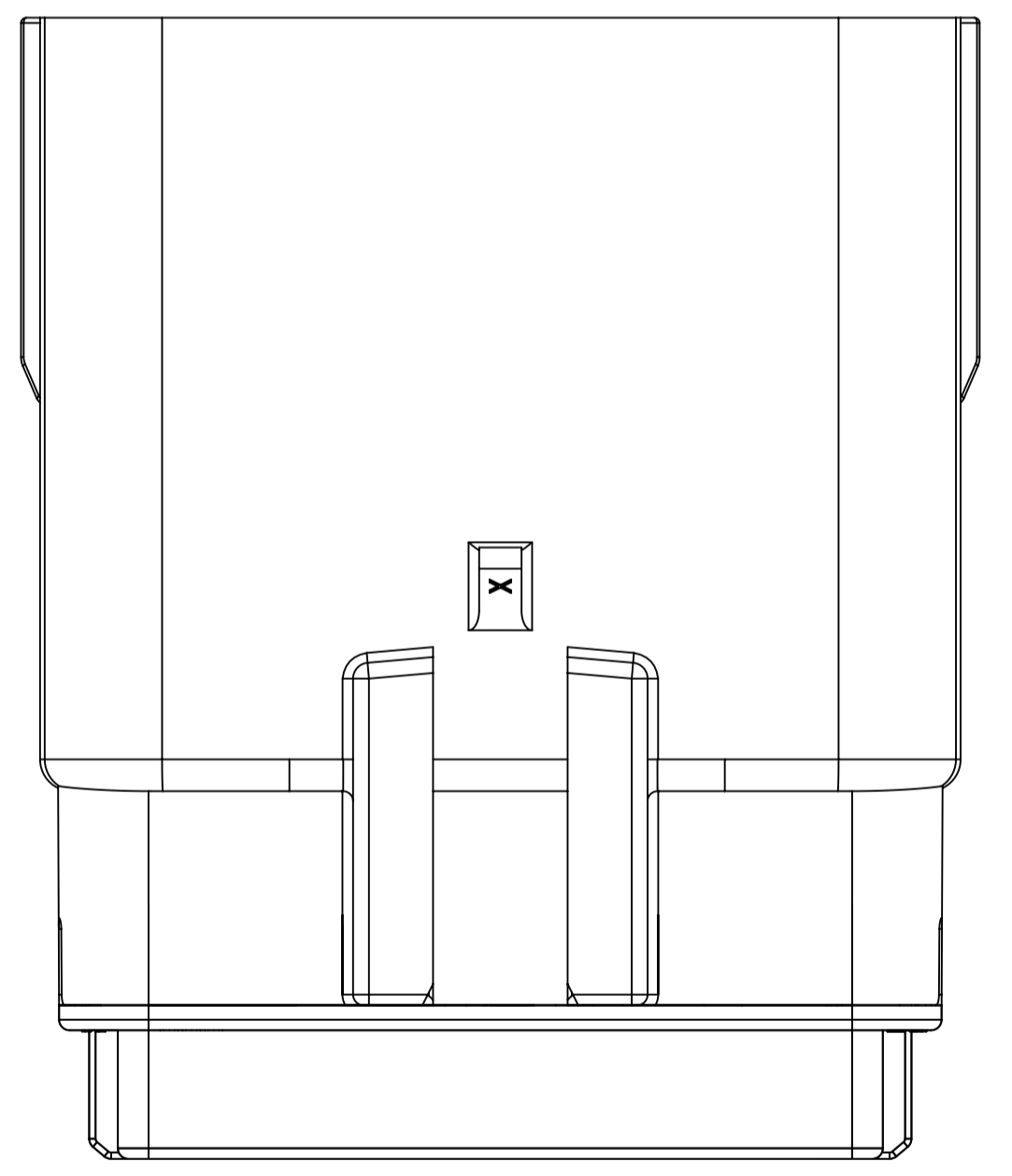
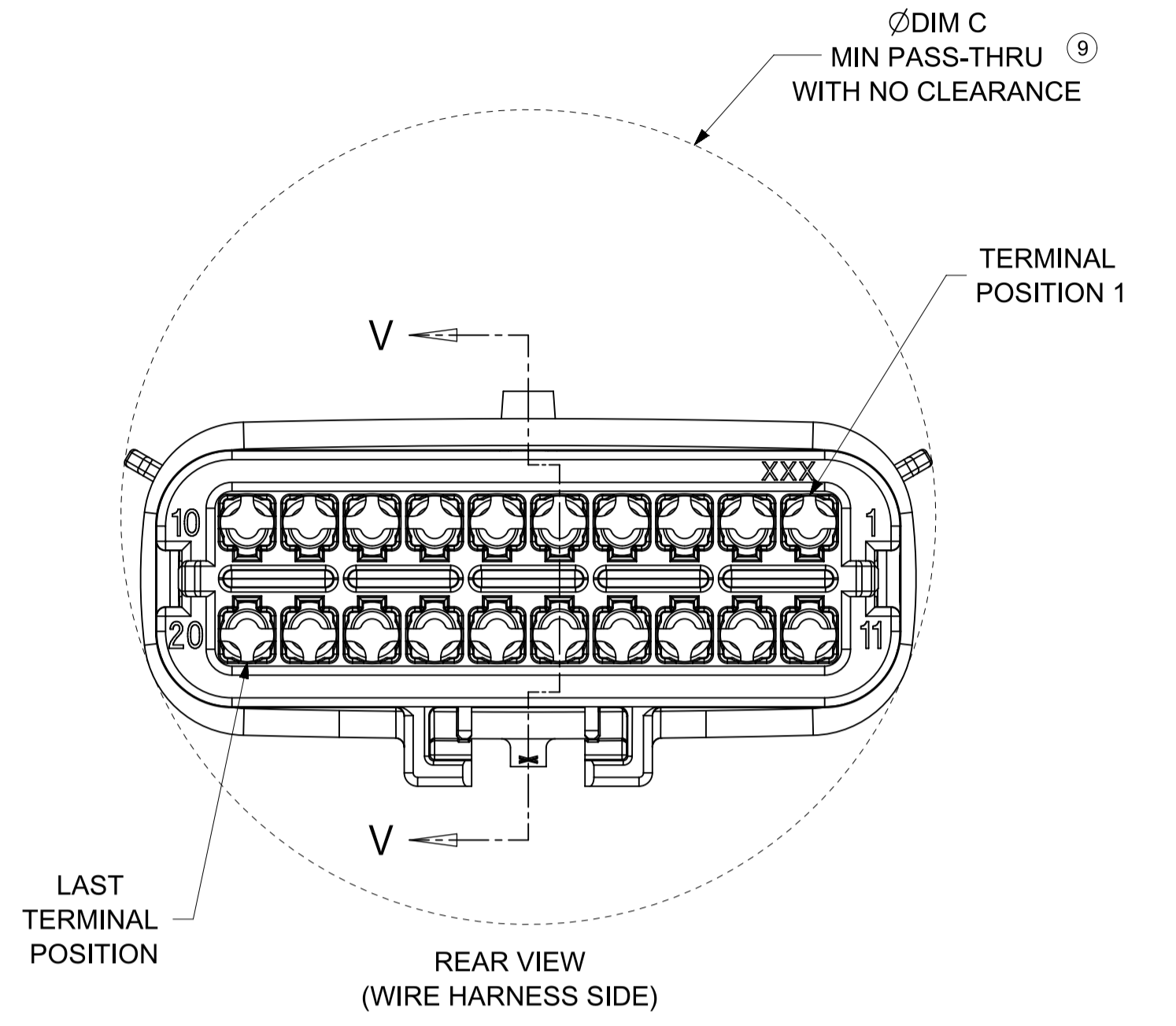
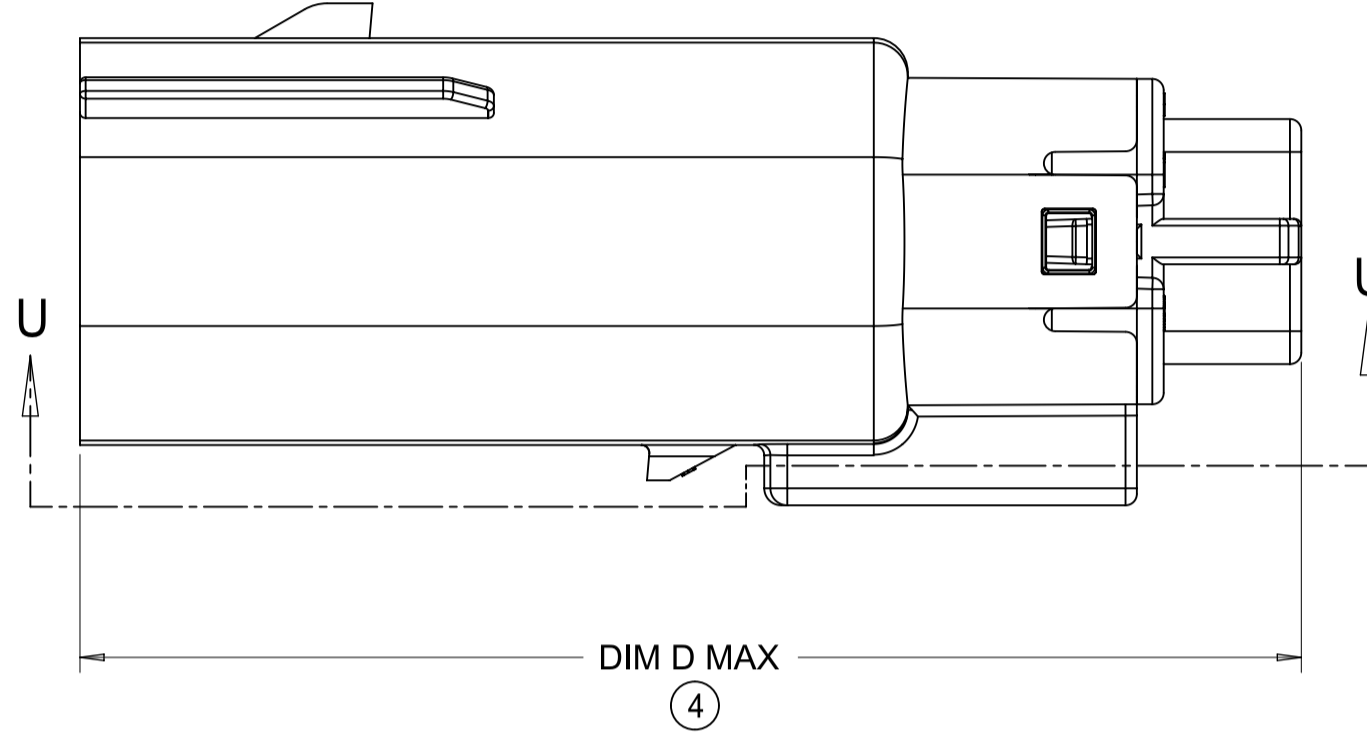
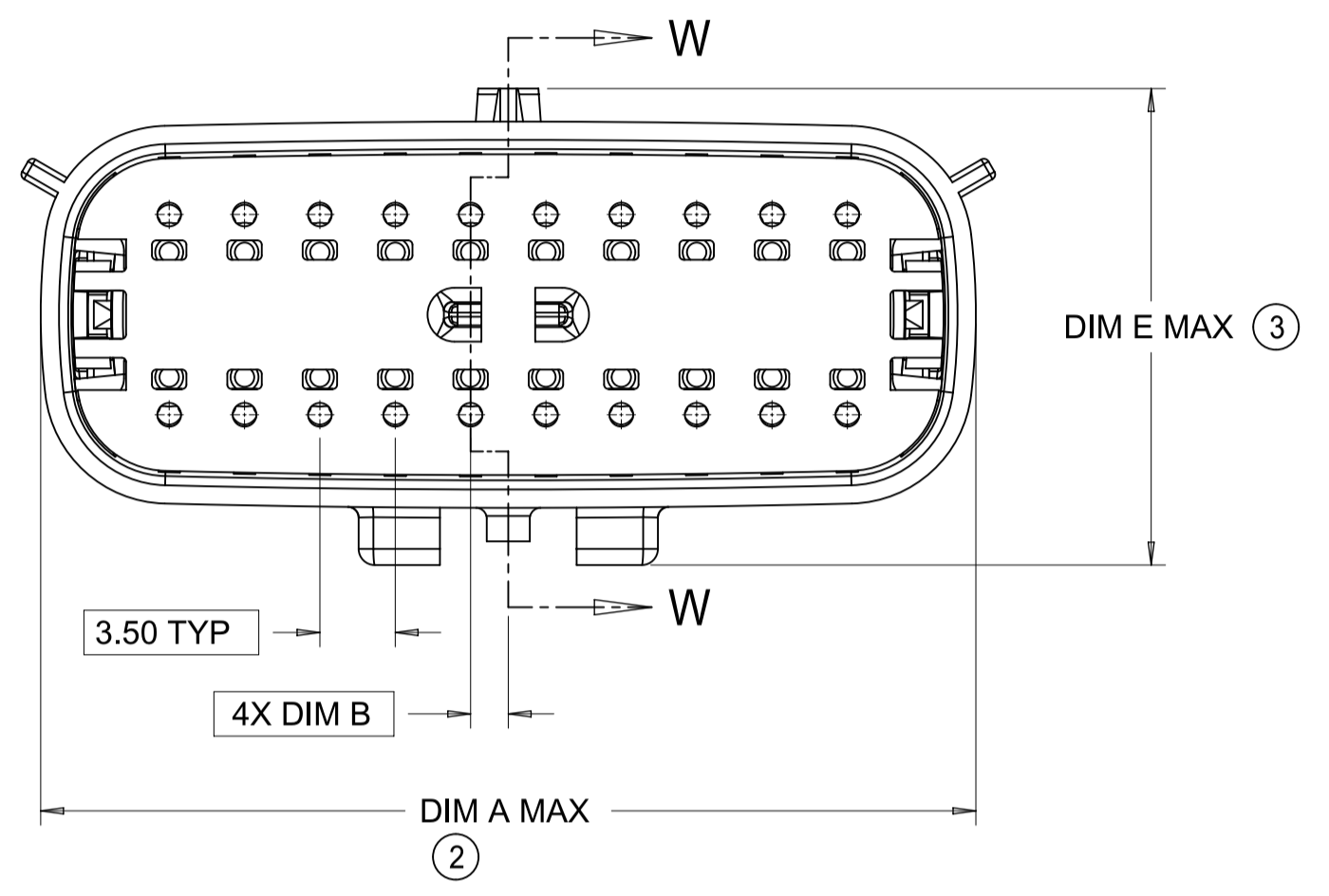
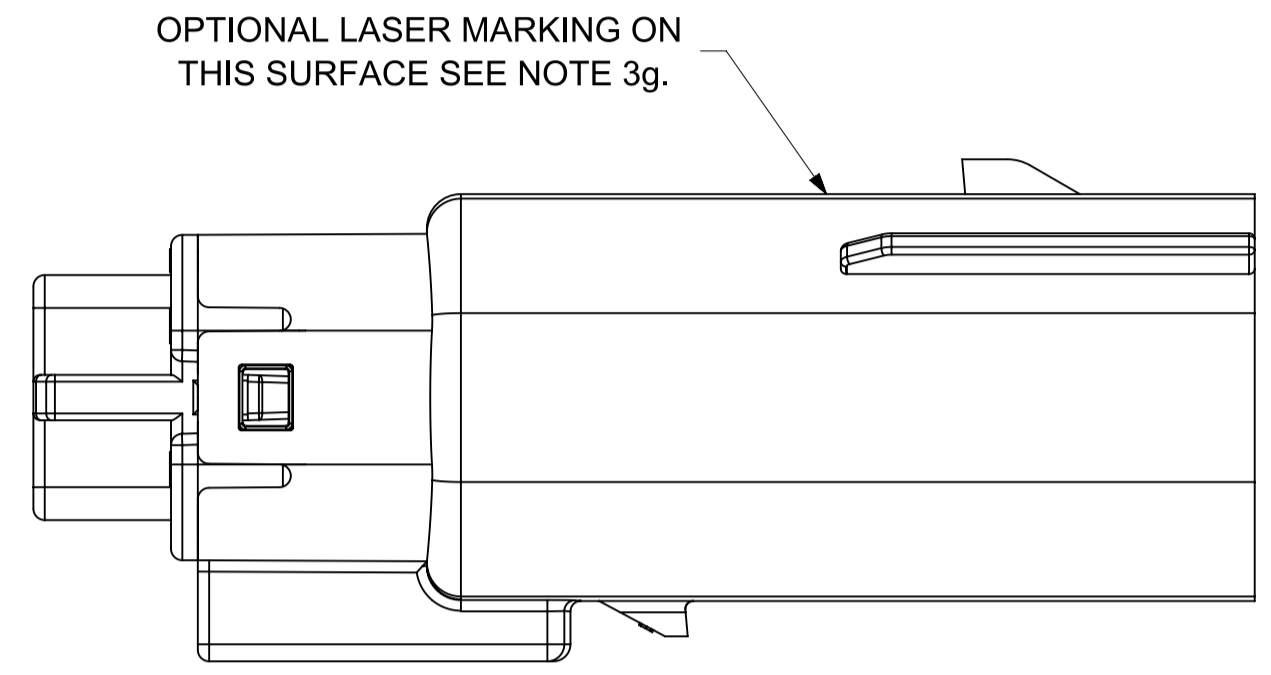
PRODUCT SALES DRAWING

DOCUMENT NUMBER	DOC TYPE	DOC PART	REVISION
SD-33482-0001	PSD	001	E3

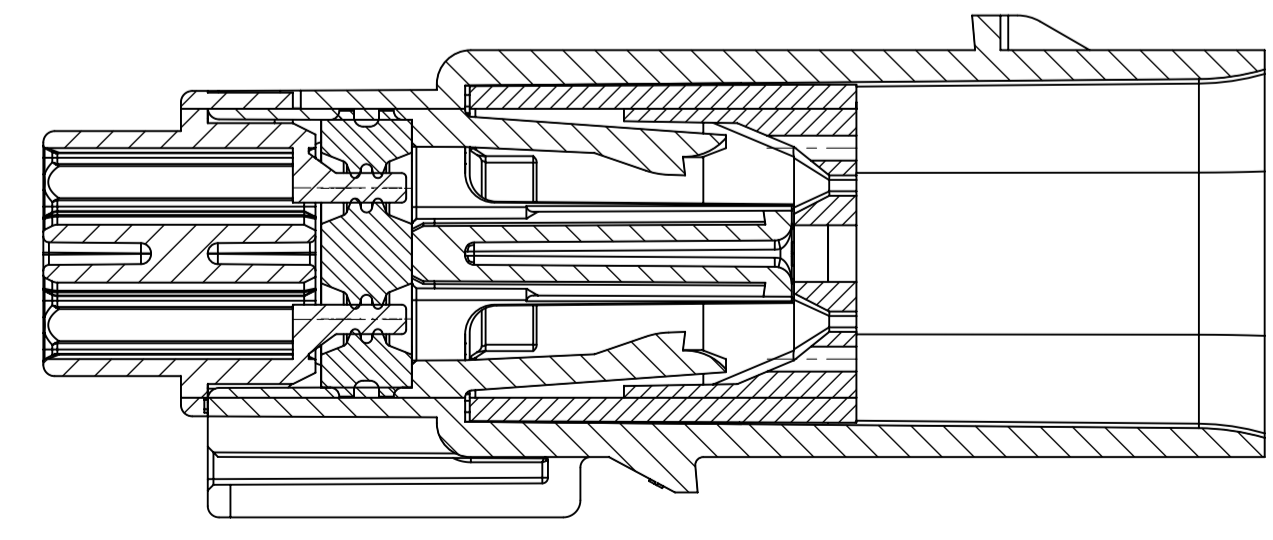
MATERIAL NUMBER	CUSTOMER	SHEET NUMBER
	GENERAL MARKET	4 OF 11

SHEET DESCRIPTION	
BLADE SEALED ASSEMBLY	

DESCRIPTION	CHARTED DIMENSION				
	A	B	C	D	E
2X2	15.54	1.75	24.40	54.45	22.23
2X3 STANDARD	19.04	3.50	26.21	54.45	22.23
2X3 LENGTHENED	19.04	3.50	26.21	56.45	22.23
2X4	22.54	1.75	27.21	54.45	22.23
2X6	29.54	1.75	32.27	54.45	22.23
2X8	36.54	1.75	38.88	54.45	22.23
2X10	43.64	1.75	45.65	54.45	22.05



PRIMARY LOCK REINFORCEMENT (PLR) SHOWN IN PRE-STAGED POSITION  
SECTION W-W

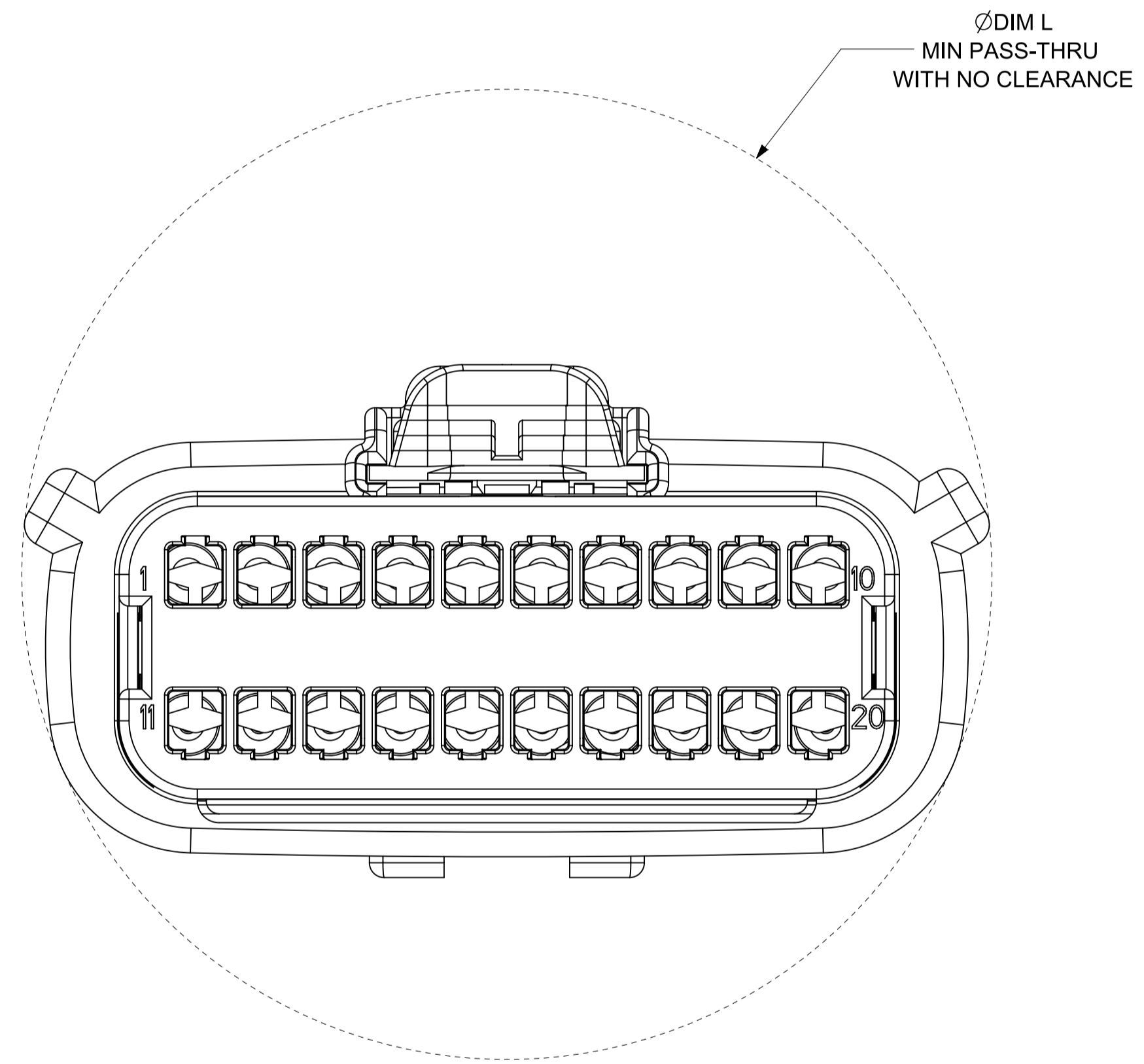
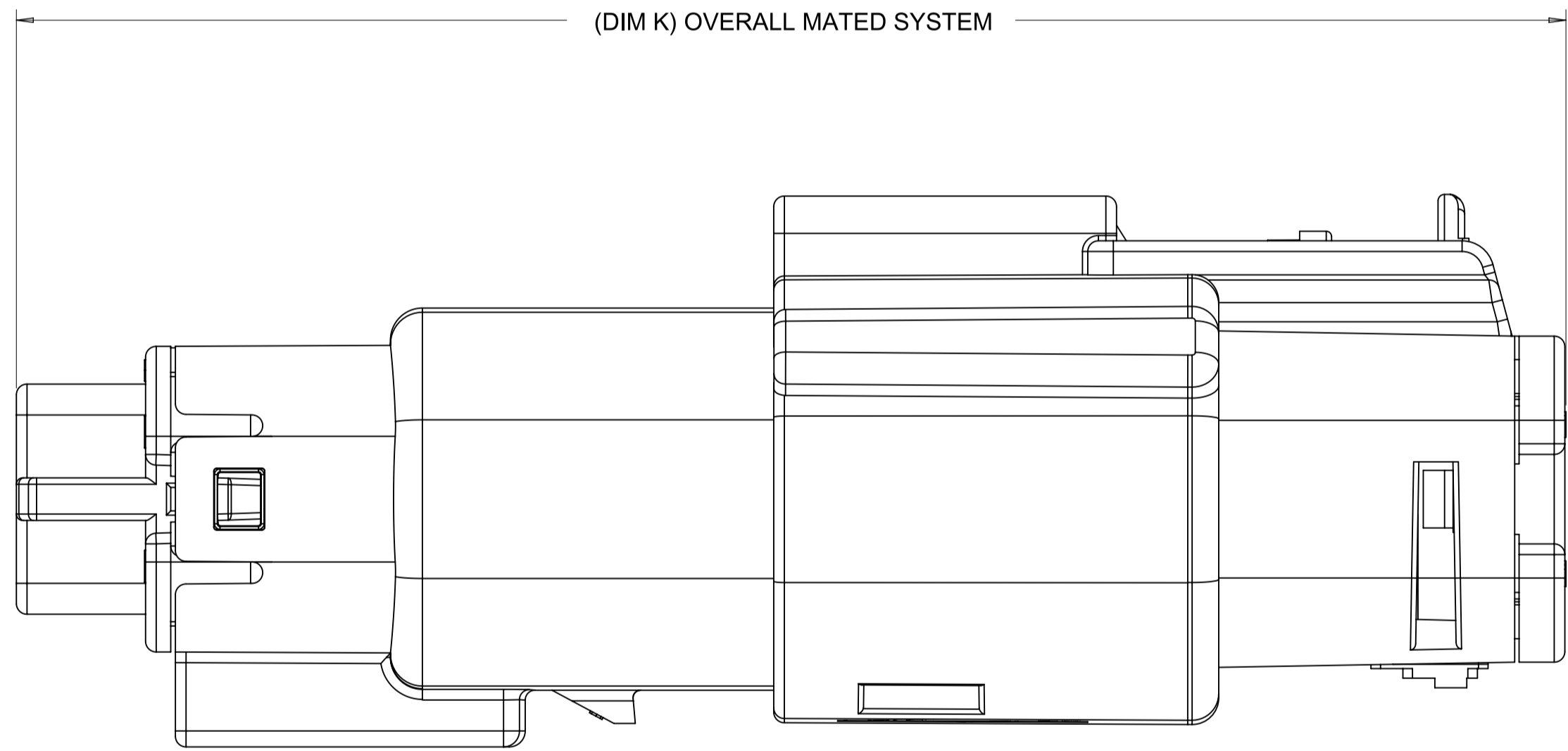


PRIMARY LOCK REINFORCEMENT (PLR) SHOWN IN FINAL-LOCK POSITION  
SECTION V-V

<b>FUNCTIONAL SYMBOLS</b> FA = 0 FE = 0 FP = 0 <b>DIVISIONAL SYMBOLS</b>	THIS DRAWING CONTAINS INFORMATION THAT IS PROPRIETARY TO MOLEX ELECTRONIC TECHNOLOGIES, LLC AND SHOULD NOT BE USED WITHOUT WRITTEN PERMISSION		CURRENT REV DESC:		
	DIMENSION UNITS	SCALE			
	mm	3:1			MX150 BLADE DUAL ROW SEALED ASSEMBLY
GENERAL TOLERANCES (UNLESS SPECIFIED)					PRODUCT SALES DRAWING
ANGULAR TOL ± 1°					
4 PLACES ±					
3 PLACES ±					
2 PLACES ± 0.100					
1 PLACE ± 0.20					
0 PLACES ±					
DRAFT WHERE APPLICABLE MUST REMAIN WITHIN DIMENSIONS			THIRD ANGLE PROJECTION	DRAWING	SHEET NUMBER
				A1-SIZE	5 OF 11
			STATUS: Production	SERIES	
			DRWN: Yann Chen	33482	
			CHK'D: Yu Chao Fu		
			APPR: Elvis Song		
			2023-09-26	DOCUMENT NUMBER	DOC TYPE   DOC PART   REVISION
			2023-09-26	SD-33482-0001	PSD 001 E3
			2023-09-27		
			MATERIAL NUMBER	CUSTOMER	
				GENERAL MARKET	

SHEET DESCRIPTION
SYSTEM PACKAGING

CHARTED DIMENSION				
CKT	BLADE CONFIGURATION	RECEPTACLE CONFIGURATION	DIMENSIONS	
			K	L
2X2	STANDARD	W/O CLIPSLOT	72.78	28.00
		W/ CLIPSLOT	72.78	28.50
		LENGTHENED	77.21	28.00
2X3	STANDARD	W/O CLIPSLOT	72.78	28.00
		W/ CLIPSLOT		30.50
	LENGTHENED	W/O CLIPSLOT	74.79	28.00
		W/ CLIPSLOT		30.50
2X4	STANDARD	W/O CLIPSLOT	72.78	29.50
		W/ CLIPSLOT		31.50
2X6	STANDARD	W/O CLIPSLOT	72.79	35.58
		W/ CLIPSLOT		
2X8	STANDARD	W/O CLIPSLOT	72.67	42.25
		W/ CLIPSLOT		
2X10	STANDARD	STANDARD	72.78	49.05

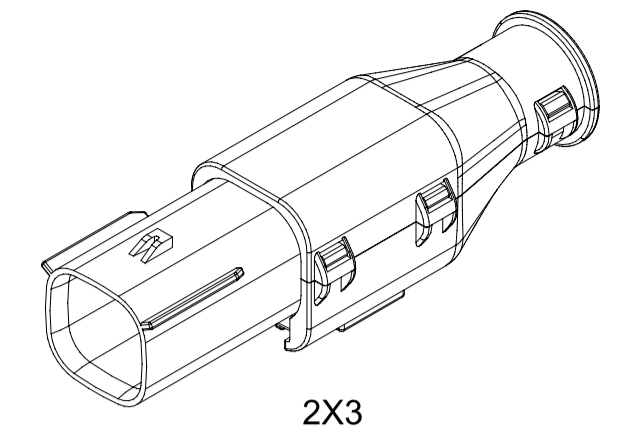


<b>FUNCTIONAL SYMBOLS</b> $\frac{F}{A} = 0$ $\frac{F}{C} = 0$ $\frac{F}{P} = 0$ <b>DIVISIONAL SYMBOLS</b> 4 PLACES ± 3 PLACES ± 2 PLACES ± 0.100 1 PLACE ± 0.20 0 PLACES ± DRAFT WHERE APPLICABLE MUST REMAIN WITHIN DIMENSIONS	THIS DRAWING CONTAINS INFORMATION THAT IS PROPRIETARY TO MOLEX ELECTRONIC TECHNOLOGIES, LLC AND SHOULD NOT BE USED WITHOUT WRITTEN PERMISSION DIMENSION UNITS: <b>mm</b> SCALE: <b>4:1</b>		CURRENT REV DESC:  STATUS: Production DRWN: Yann Chen CHK'D: Yu Chao Fu APPR: Elvis Song		<b>molex</b>  MX150 BLADE DUAL ROW SEALED ASSEMBLY	
	GENERAL TOLERANCES (UNLESS SPECIFIED) ANGULAR TOL ± 1°		PRODUCT SALES DRAWING		DOCUMENT NUMBER: <b>SD-33482-0001</b> DOC TYPE: PSD DOC PART: 001 REVISION: <b>E3</b>	
	2023-09-26 2023-09-26 2023-09-27		MATERIAL NUMBER: <b>33482</b> CUSTOMER: <b>GENERAL MARKET</b> SHEET NUMBER: <b>6 OF 11</b>		THIRD ANGLE PROJECTION	
	DRAFTING: <b>A1-SIZE</b> SERIES: <b>33482</b>		THIRD ANGLE PROJECTION		THIRD ANGLE PROJECTION	

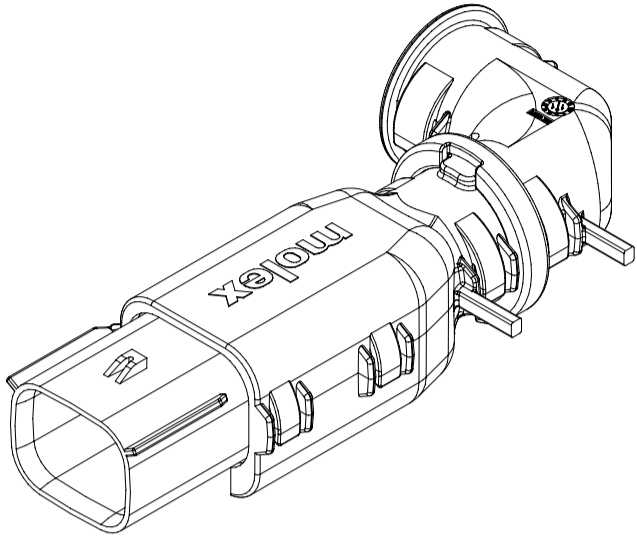
SHEET DESCRIPTION  
BACKSHELL NOTES

BACKSHELL NOTES: VALID UNLESS OTHERWISE SPECIFIED

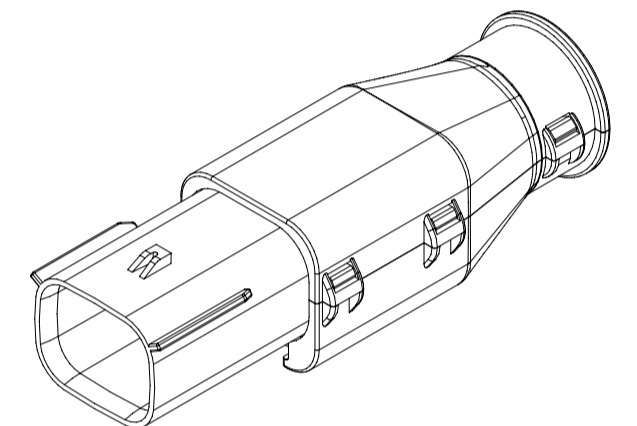
1. GENERAL:  
a. APPLICATION SPECIFICATION SEE: AS-34951-001
- DESIGNED TO MATE WITH BLADE SEALED ASSEMBLY SPECIFIED IN MOLEX DRAWING SD-33482-0001.
  - SYSTEM TO BE USED WITH WIRE WITHIN DIAMETER RANGE OF 1.2mm TO 2.69mm.
  - COMPONENTS ARE OPTIONAL AND MUST BE PURCHASED SEPERATELY.
  - DESIGN IS OWNED BY SCHLEMMER FOR SCHLEMMER BACKSHELL.
  - DESIGN IS OWNED BY MOLEX FOR MOLEX BACKSHELL.
  - 90° ADAPTOR DESIGN IS OWNED BY MOLEX.
  - FOR ADDITIONAL INFORMATION SEE THE BACKSHELL COMPONENT DRAWING SD-34950-0001.



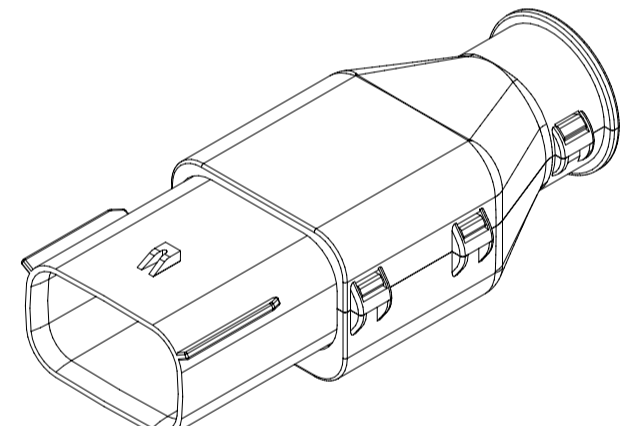
2X3



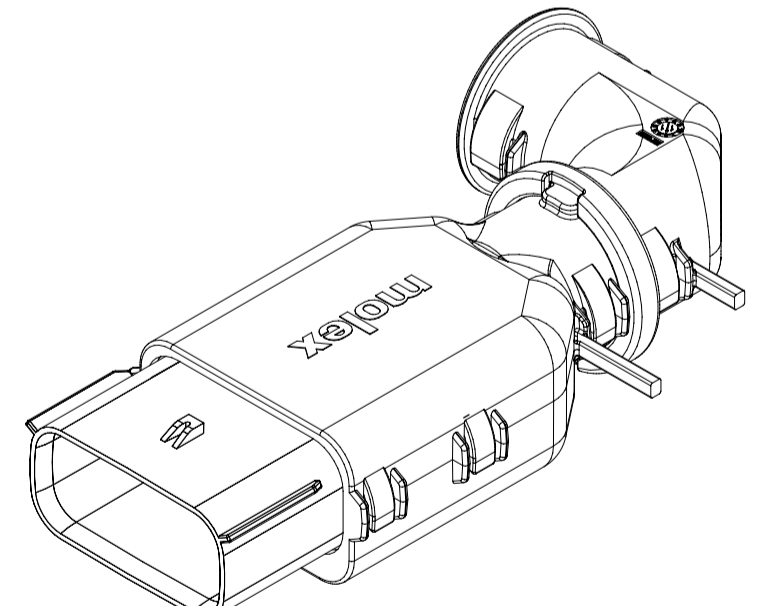
2X4



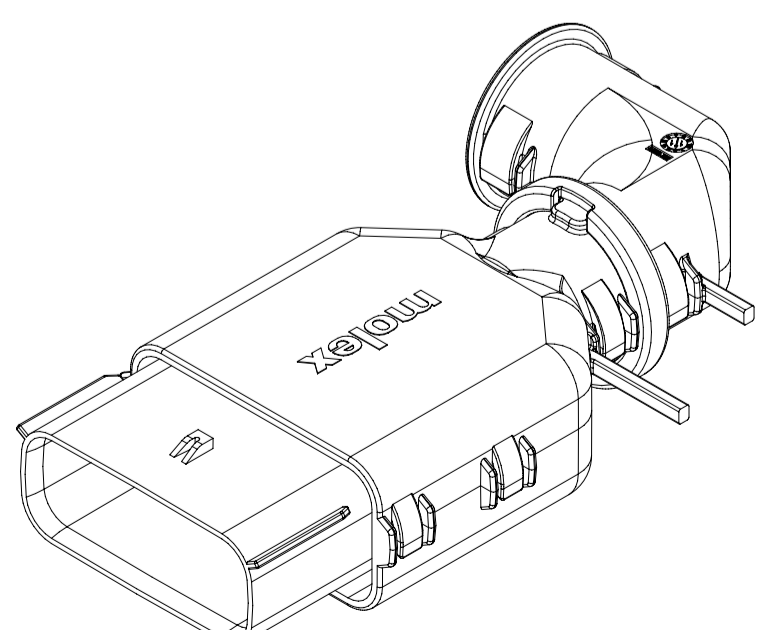
2X4



2X6



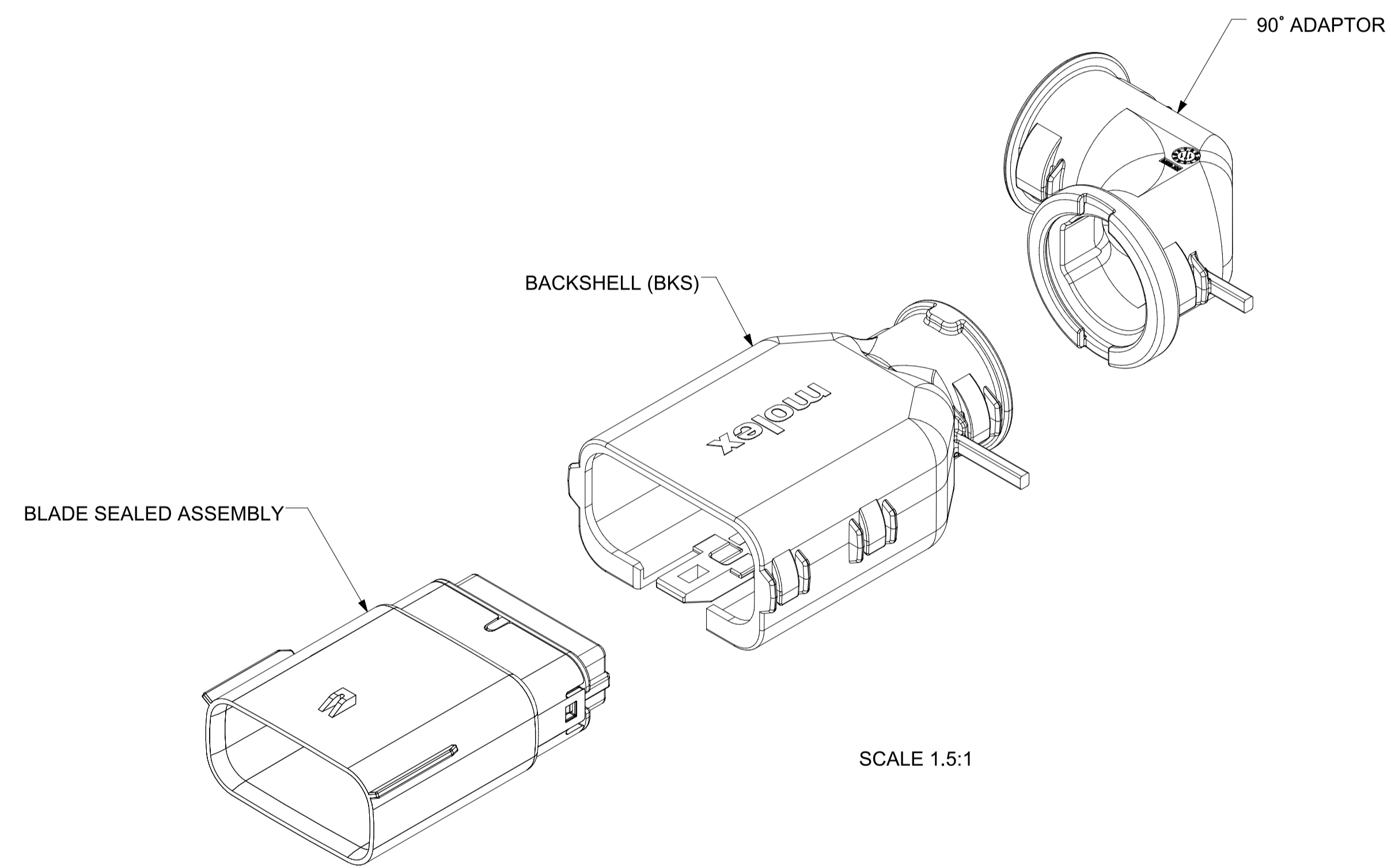
2X8



2X10

BACKSHELL CUSTOMER MODEL NUMBER LEGEND

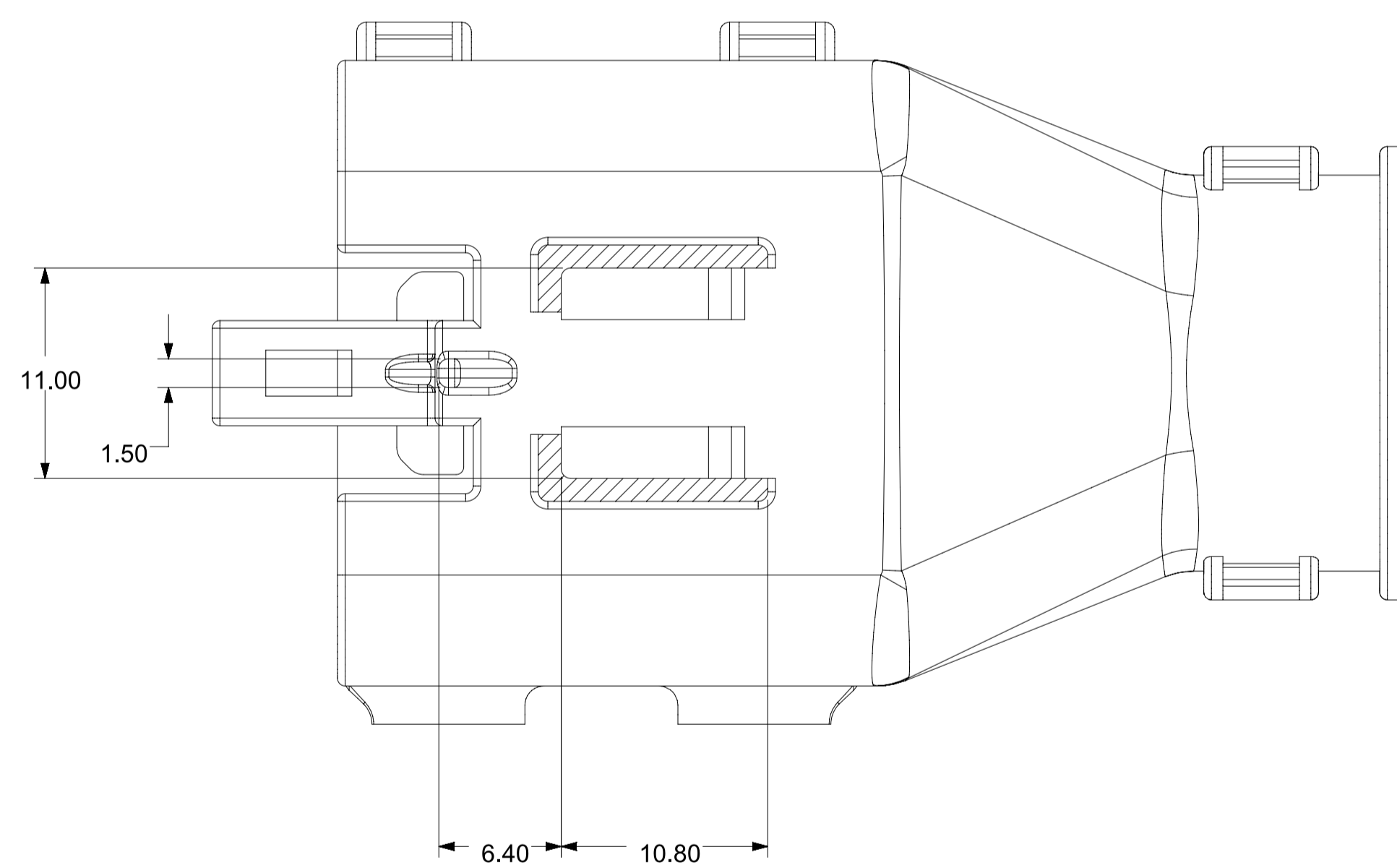
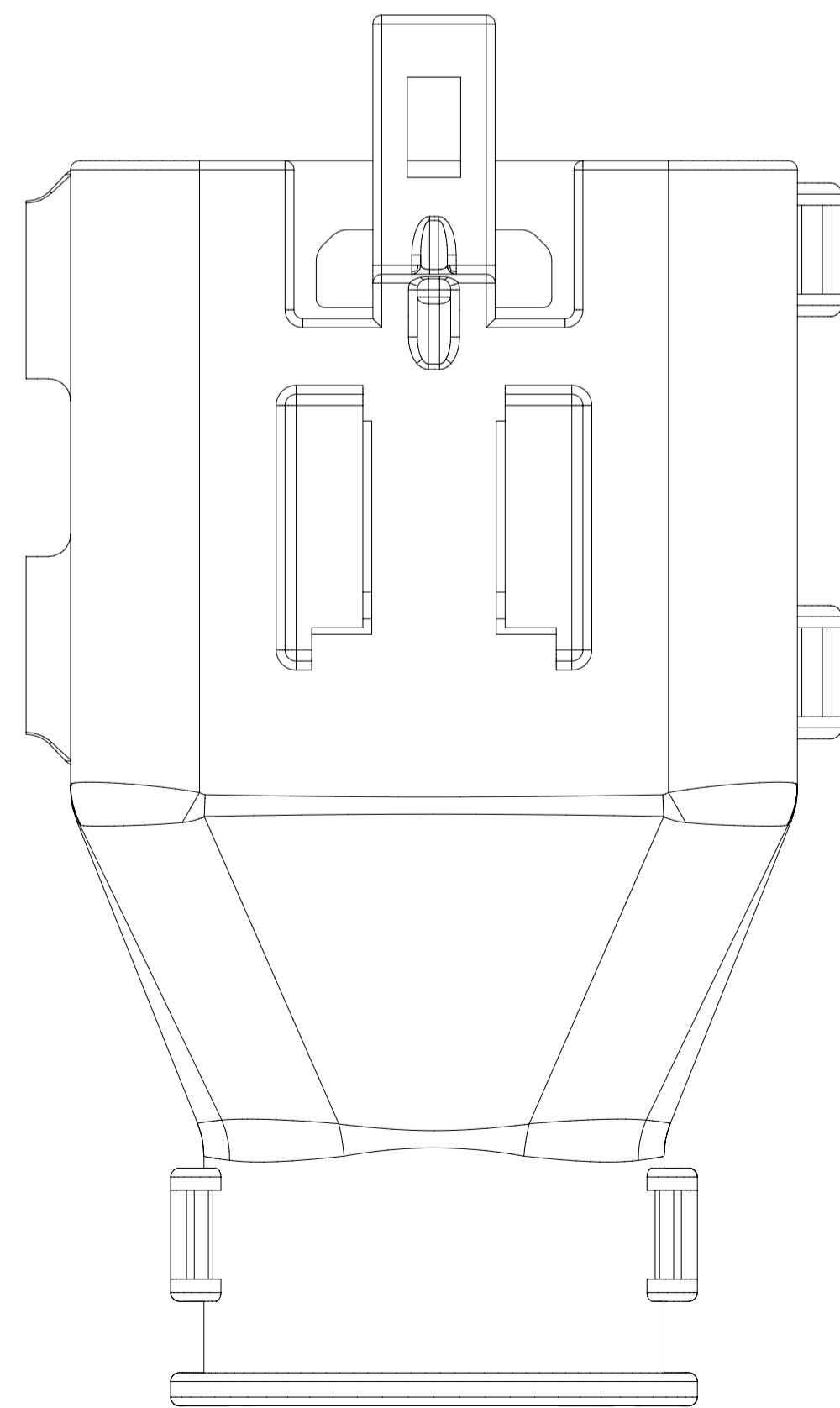
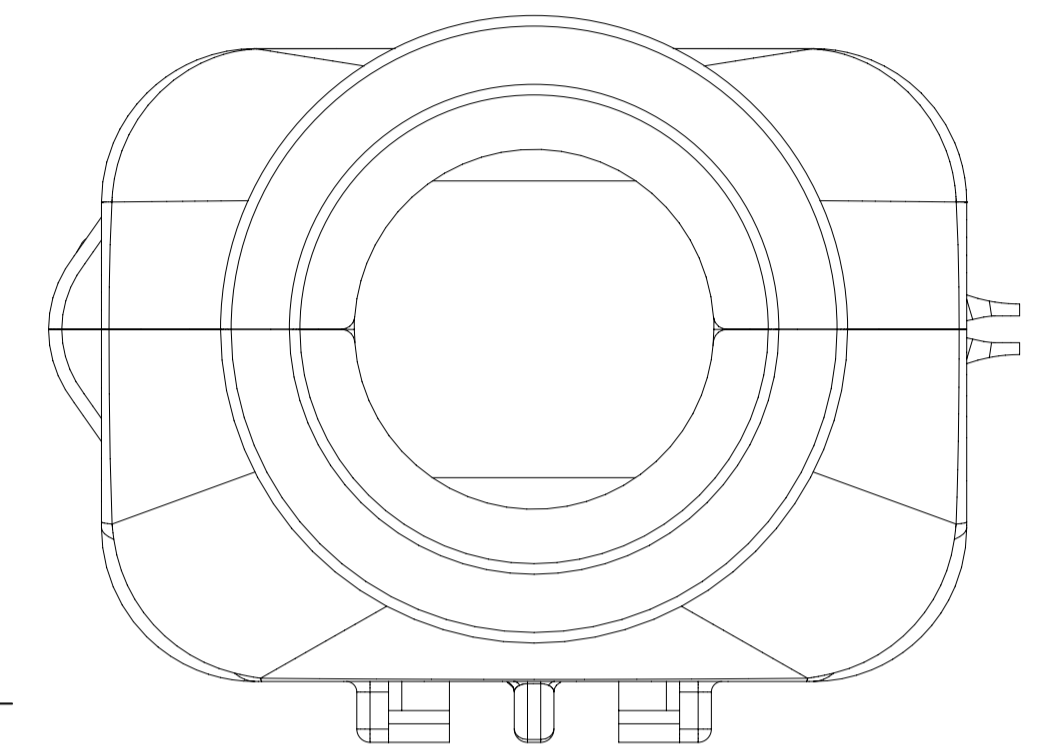
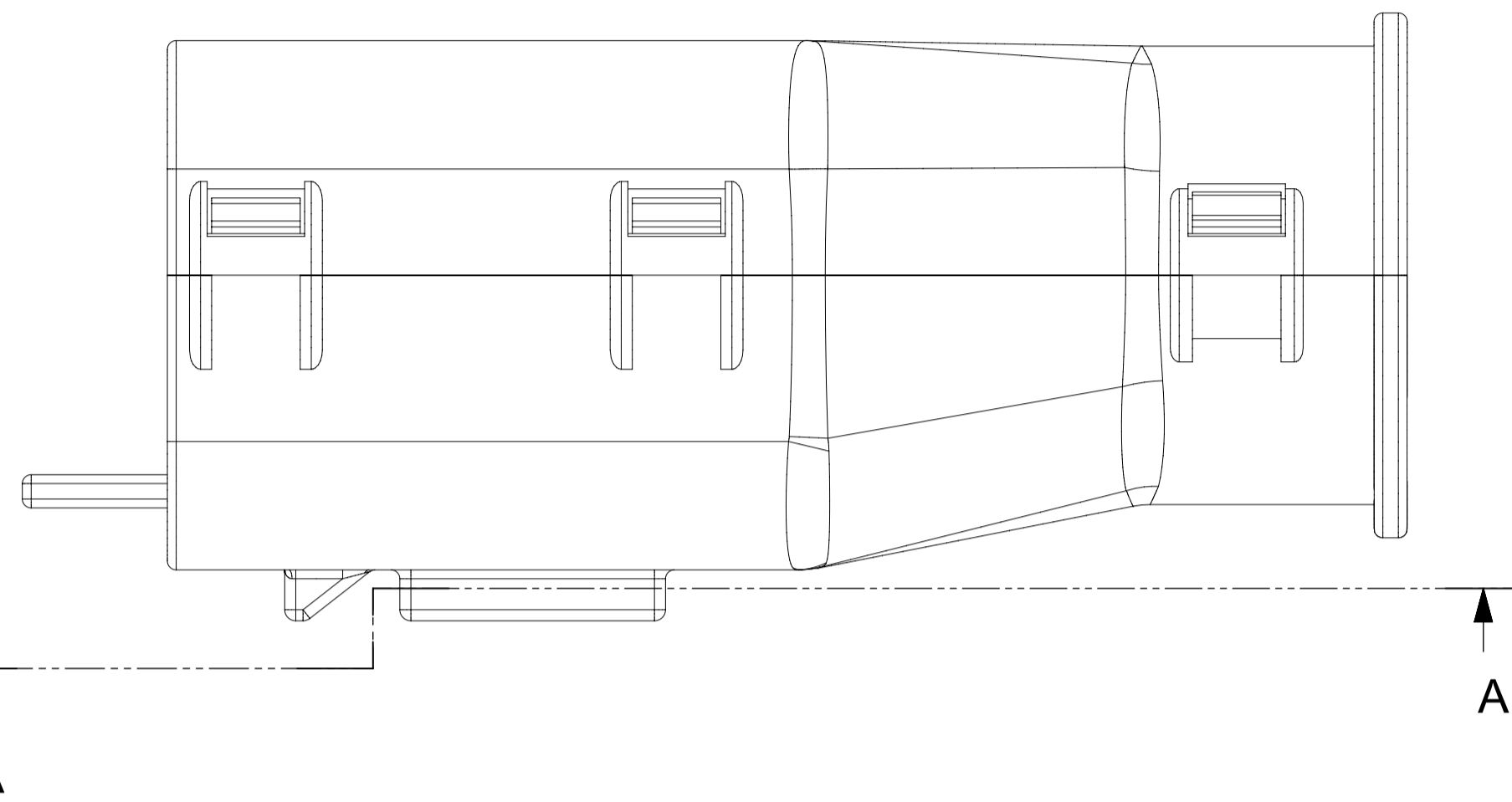
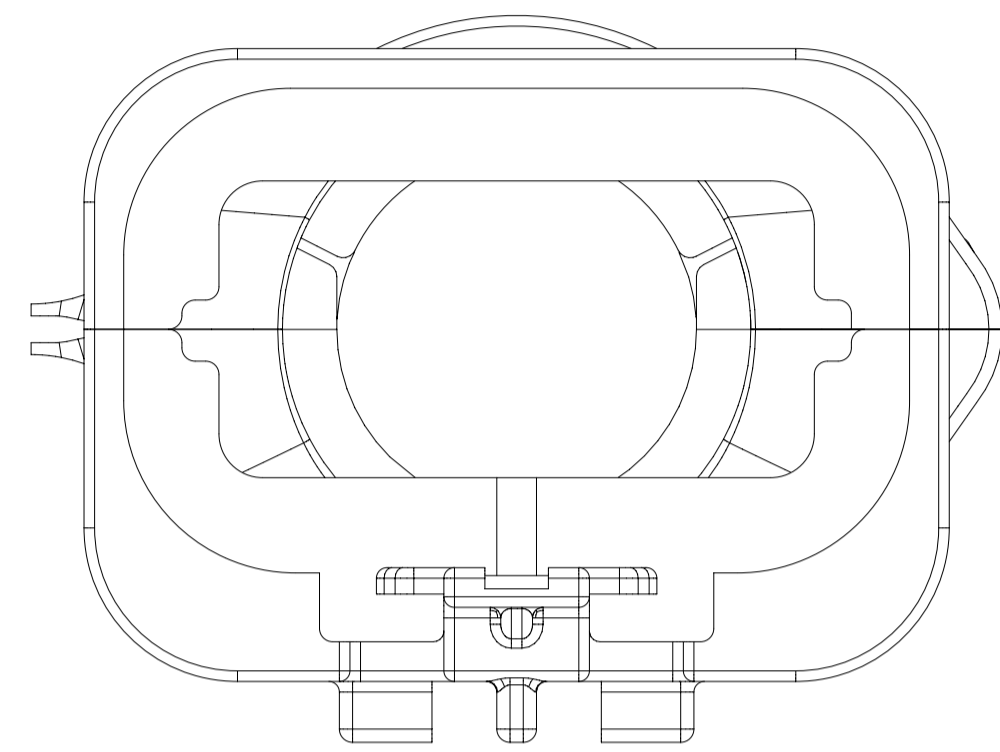
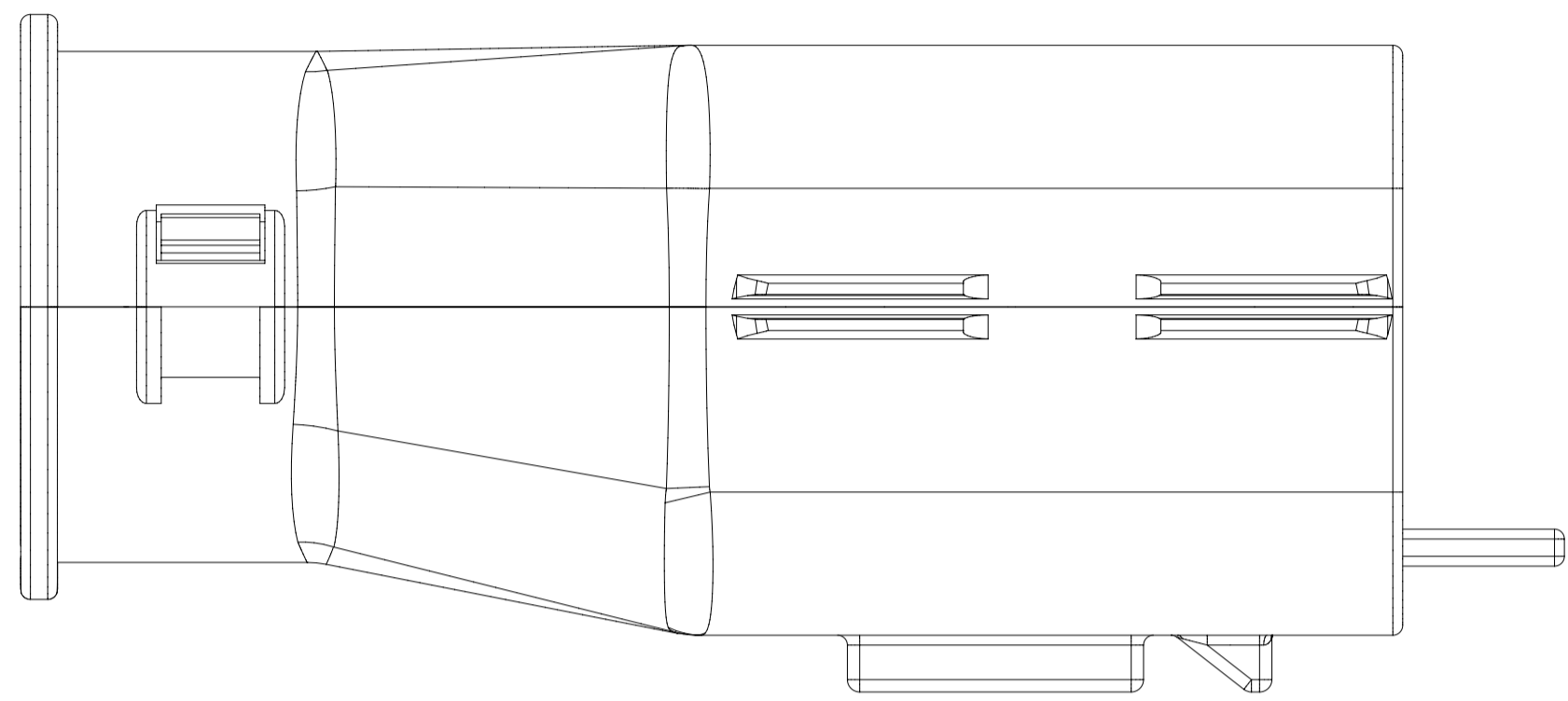
- 34950-XXXX
- CUSTOMER MODEL COMPONENTS
    - 0 - SCHLEMMER BACKSHELL ONLY
    - 1 - SCHLEMMER BACKSHELL & MX150 HOUSING KEY A ASSEMBLY
    - 2 - SCHLEMMER BACKSHELL & MX150 HOUSING KEY B ASSEMBLY
    - 3 - SCHLEMMER BACKSHELL & MX150 HOUSING KEY C ASSEMBLY
    - 4 - SCHLEMMER BACKSHELL & MX150 HOUSING KEY D ASSEMBLY
    - 5 - MOLEX BACKSHELL ONLY
    - 6 - MOLEX BACKSHELL & MX150 HOUSING KEY A ASSEMBLY
    - 7 - MOLEX BACKSHELL & MX150 HOUSING KEY B ASSEMBLY
    - 8 - MOLEX BACKSHELL & MX150 HOUSING KEY C ASSEMBLY
    - 9 - MOLEX BACKSHELL & MX150 HOUSING KEY D ASSEMBLY
  - BACKSHELL FEATURES
    - 1 - WITH RIBS
    - 2 - WITHOUT RIBS
    - 3 - 90° ADAPTOR
  - MX150 CIRCUIT SIZE 04, 06, 08, 12, 16, 20



FUNCTIONAL SYMBOLS	THIS DRAWING CONTAINS INFORMATION THAT IS PROPRIETARY TO MOLEX ELECTRONIC TECHNOLOGIES, LLC AND SHOULD NOT BE USED WITHOUT WRITTEN PERMISSION		CURRENT REV DESC:					
	DIMENSION UNITS	SCALE						
$\frac{E}{A} = 0$	mm	1.5:1	CHK'D: Yu Chao Fu	2023-09-26	SD-33482-0001	PSD	001	E3
$\frac{E}{C} = 0$	GENERAL TOLERANCES (UNLESS SPECIFIED)		APPR: Elvis Song	2023-09-27	PRODUCT SALES DRAWING			
$\frac{E}{P} = 0$	ANGULAR TOL ± 1°		STATUS: Production		MATERIAL NUMBER			
DIVISIONAL SYMBOLS	4 PLACES ±		DRAFT WHERE APPLICABLE MUST REMAIN WITHIN DIMENSIONS		CUSTOMER		SHEET NUMBER	
	3 PLACES ±		THIRD ANGLE PROJECTION		GENERAL MARKET		7 OF 11	
	2 PLACES ± 0.100		DRAWING		SERIES			
	1 PLACE ± 0.20		A1-SIZE		33482			
	0 PLACES ±							



SHEET DESCRIPTION  
SCHLEMMER BACKSHELL



SECTION A-A

<b>FUNCTIONAL SYMBOLS</b> $\frac{F}{A} = 0$ $\frac{F}{C} = 0$ $\frac{F}{P} = 0$ <b>DIVISIONAL SYMBOLS</b>	THIS DRAWING CONTAINS INFORMATION THAT IS PROPRIETARY TO MOLEX ELECTRONIC TECHNOLOGIES, LLC AND SHOULD NOT BE USED WITHOUT WRITTEN PERMISSION		<b>CURRENT REV DESC:</b>  STATUS: Production DRWN: Yann Chen CHK'D: Yu Chao Fu APPR: Elvis Song			<b>2023-09-26</b> 2023-09-26 2023-09-27		
	DIMENSION UNITS	SCALE						
	mm	3.5:1	SD-33482-0001	PSD	001	E3		
	GENERAL TOLERANCES (UNLESS SPECIFIED)		PRODUCT SALES DRAWING					
ANGULAR TOL $\pm$ 1'		CUSTOMER						
4 PLACES $\pm$		GENERAL MARKET						
3 PLACES $\pm$		SHEET NUMBER						
2 PLACES $\pm$ 0.100		8 OF 11						
1 PLACE $\pm$ 0.20								
0 PLACES $\pm$								
DRAFT WHERE APPLICABLE MUST REMAIN WITHIN DIMENSIONS		THIRD ANGLE PROJECTION	DRAWING	SERIES	MATERIAL NUMBER	CUSTOMER	SHEET NUMBER	
			A1-SIZE	33482				

**molex**

MX150 BLADE  
DUAL ROW SEALED ASSEMBLY

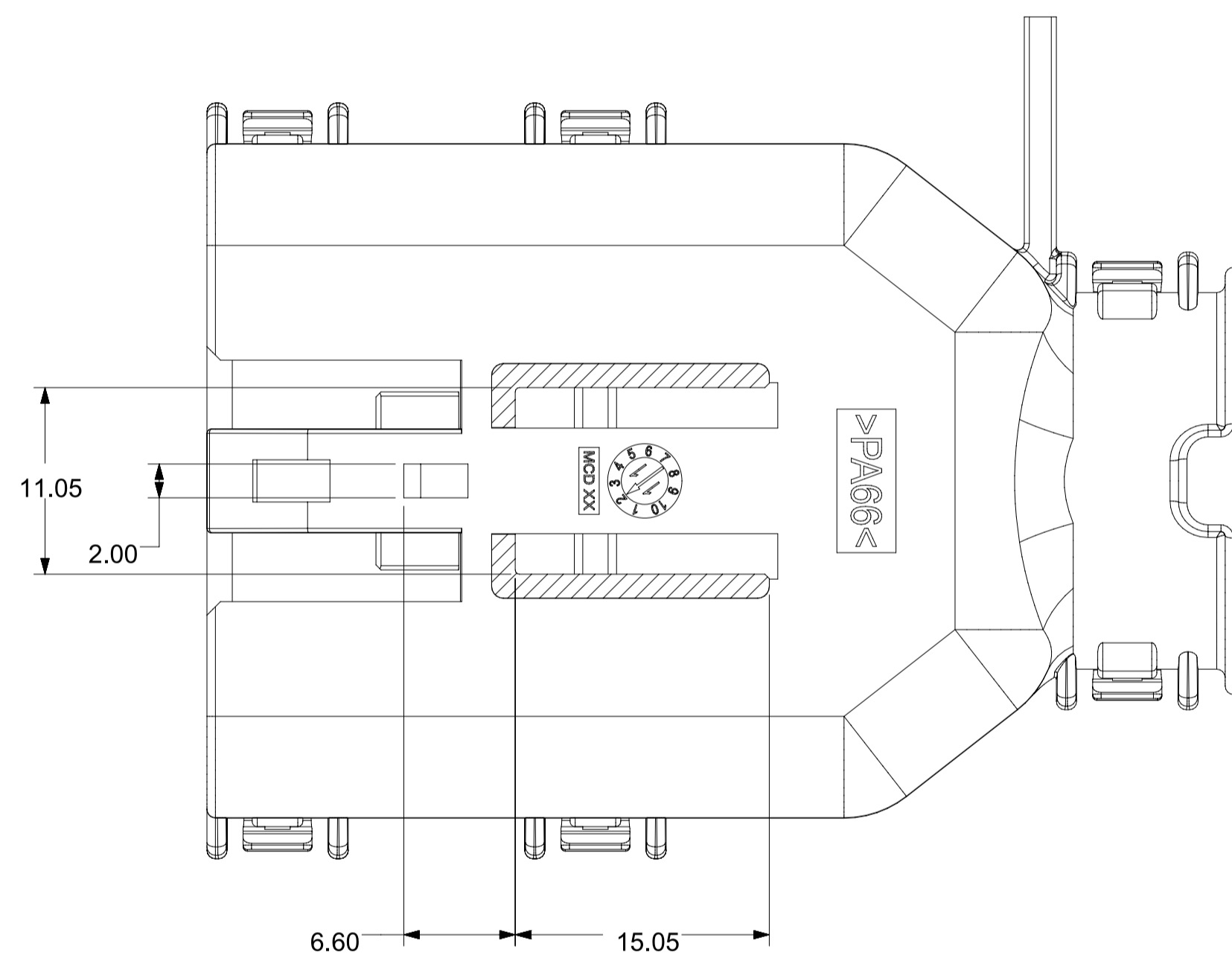
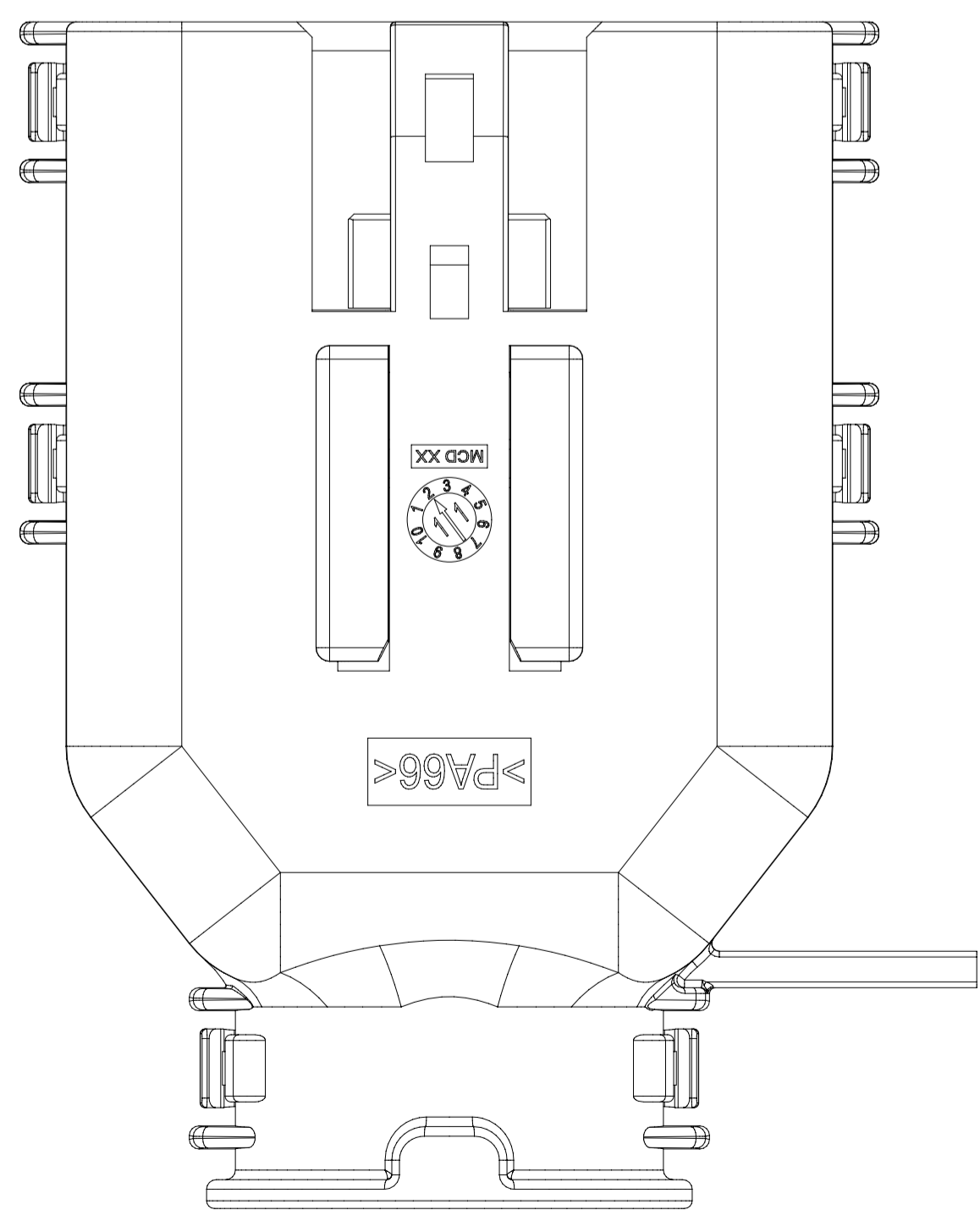
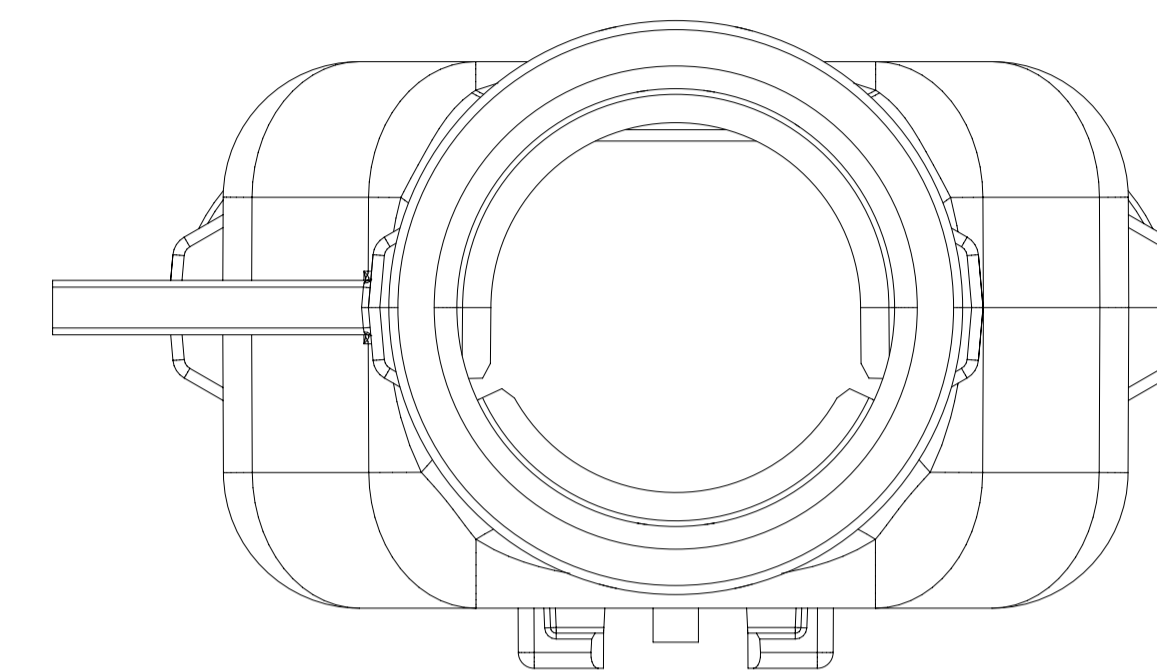
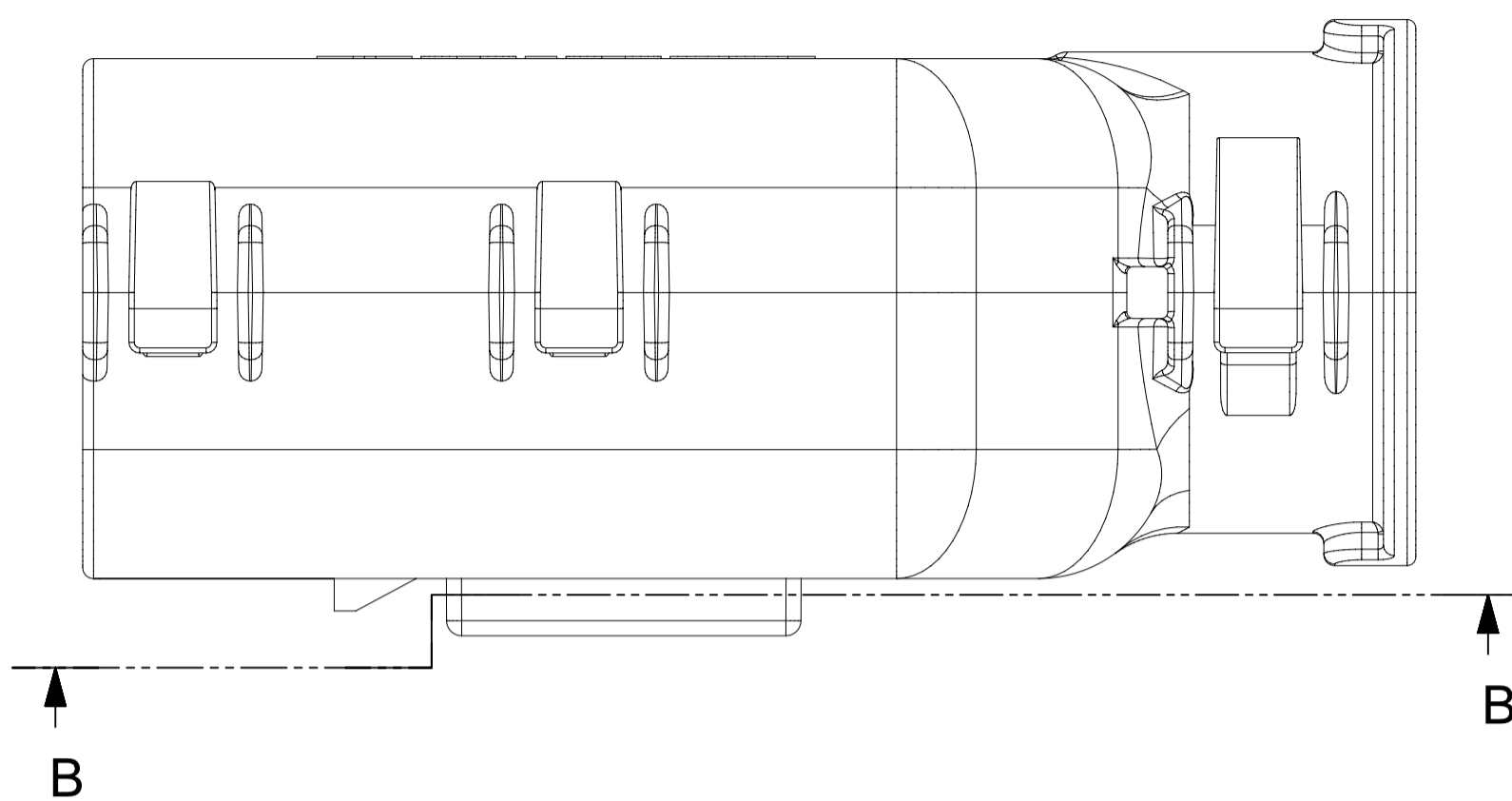
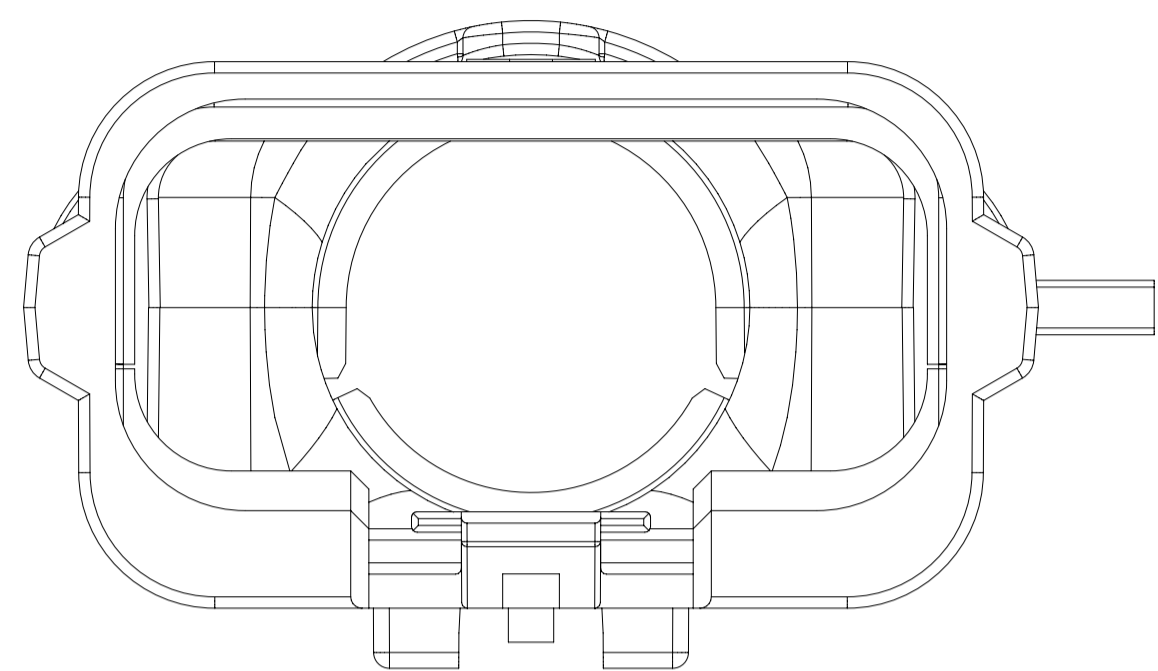
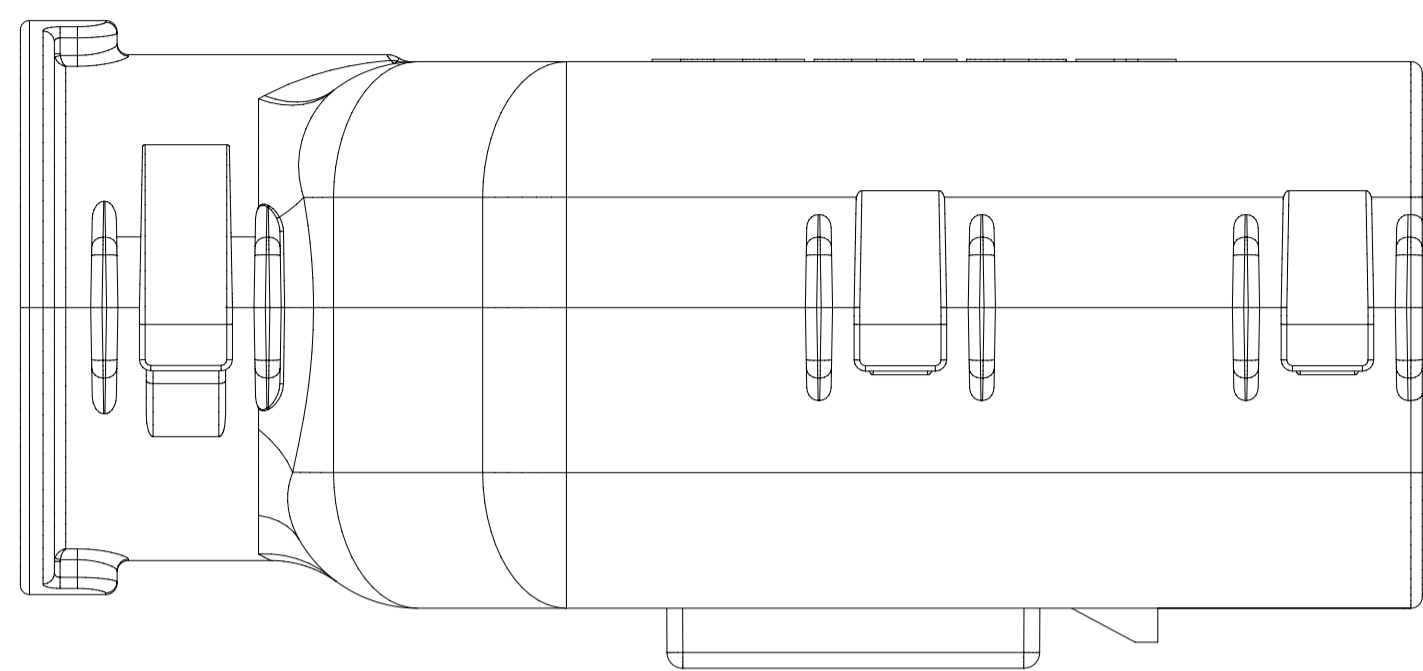
PRODUCT SALES DRAWING

DOCUMENT NUMBER: SD-33482-0001 | DOC TYPE: PSD | DOC PART: 001 | REVISION: E3

CUSTOMER: GENERAL MARKET

SHEET NUMBER: 8 OF 11

SHEET DESCRIPTION  
MOLEX BACKSHELL

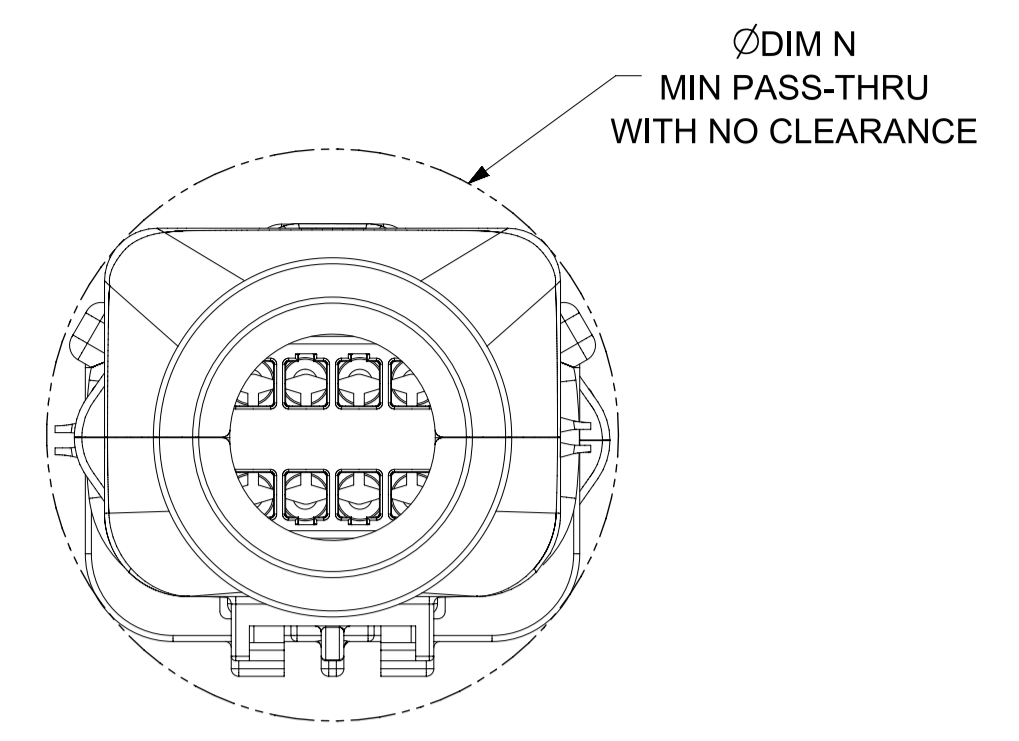
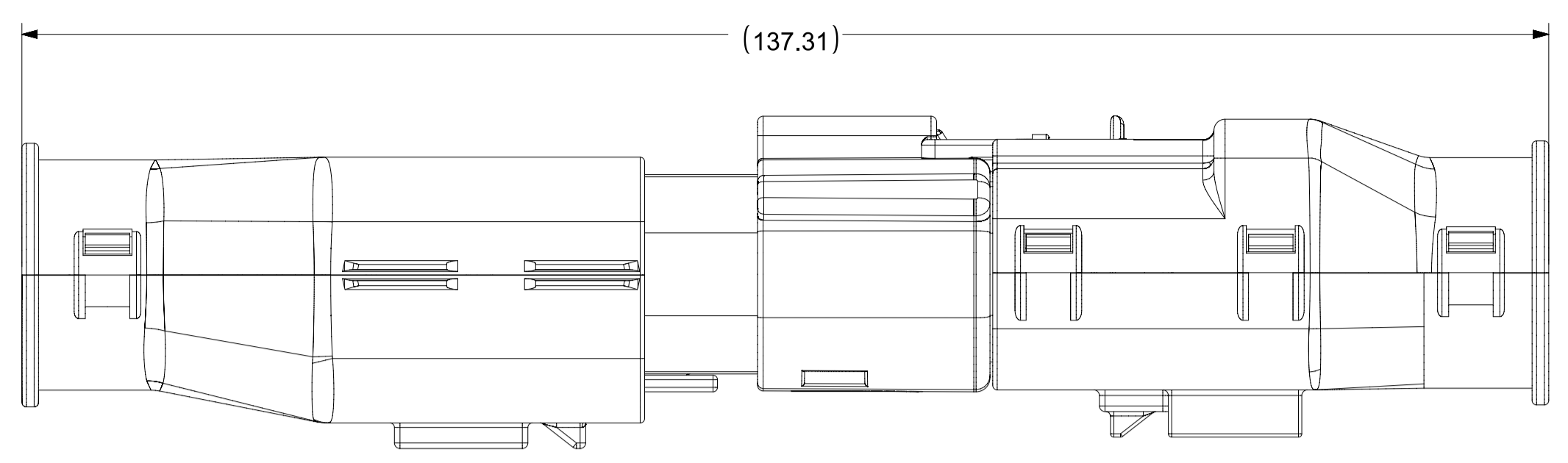


SECTION B-B

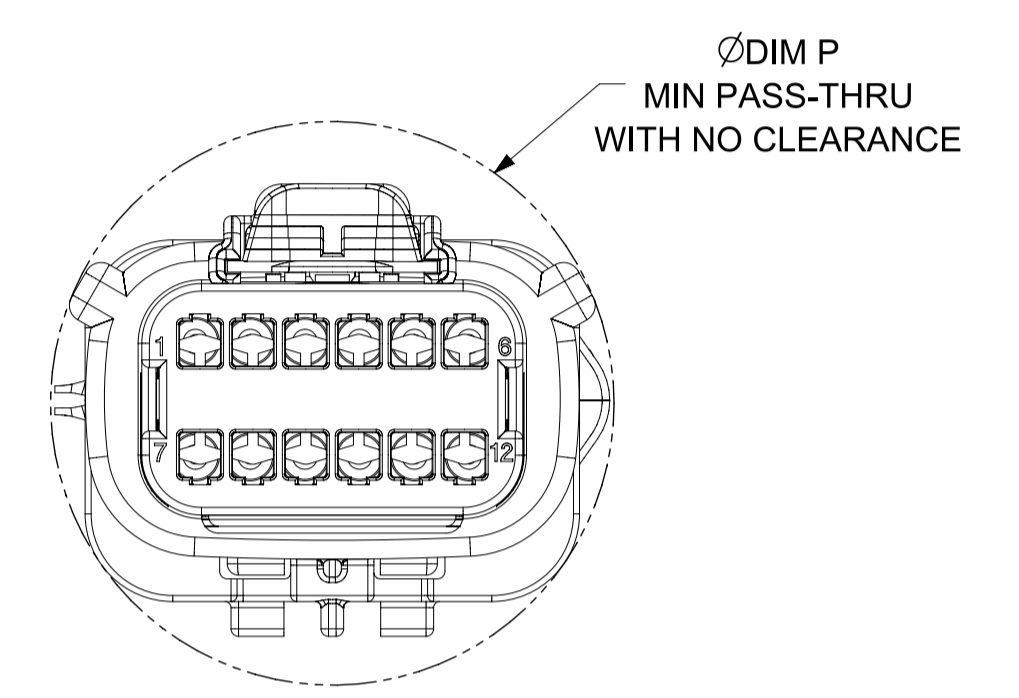
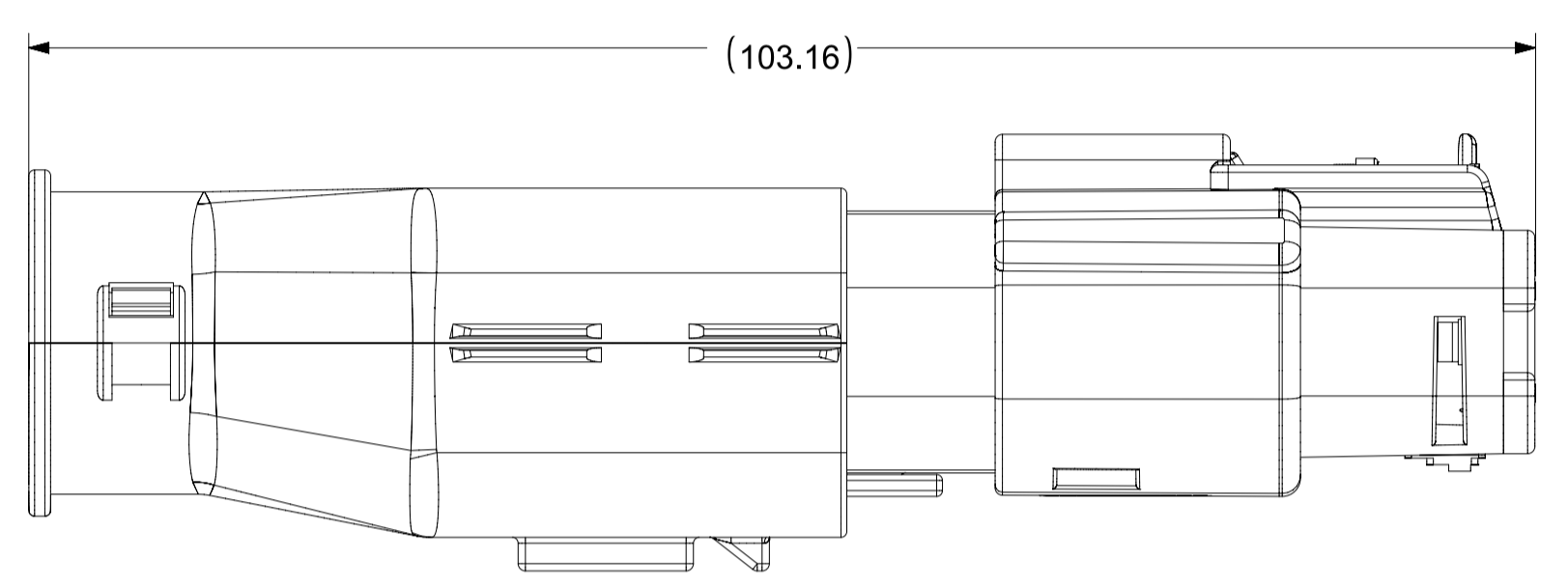
<b>FUNCTIONAL SYMBOLS</b> $\frac{E}{A} = 0$ $\frac{E}{C} = 0$ $\frac{E}{D} = 0$ <b>DIVISIONAL SYMBOLS</b>	THIS DRAWING CONTAINS INFORMATION THAT IS PROPRIETARY TO MOLEX ELECTRONIC TECHNOLOGIES, LLC AND SHOULD NOT BE USED WITHOUT WRITTEN PERMISSION		<b>CURRENT REV DESC:</b>  STATUS: Production DRWN: Yann Chen CHK'D: Yu Chao Fu APPR: Elvis Song					
	DIMENSION UNITS	SCALE						
	mm	3:1	SD-33482-0001					
	GENERAL TOLERANCES (UNLESS SPECIFIED)		DOC TYPE   DOC PART   REVISION					
ANGULAR TOL ± 1°		PSD 001 E3						
4 PLACES ±		PRODUCT SALES DRAWING						
3 PLACES ±		SERIES						
2 PLACES ± 0.100		33482						
1 PLACE ± 0.20		MATERIAL NUMBER						
0 PLACES ±		CUSTOMER						
DRAFT WHERE APPLICABLE MUST REMAIN WITHIN DIMENSIONS		THIRD ANGLE PROJECTION		SHEET NUMBER				
				9 OF 11				
		DRAWING		GENERAL MARKET				
		A1-SIZE						

SHEET DESCRIPTION  
SCHLEMMER BACKSHELL CONFIGURATIONS

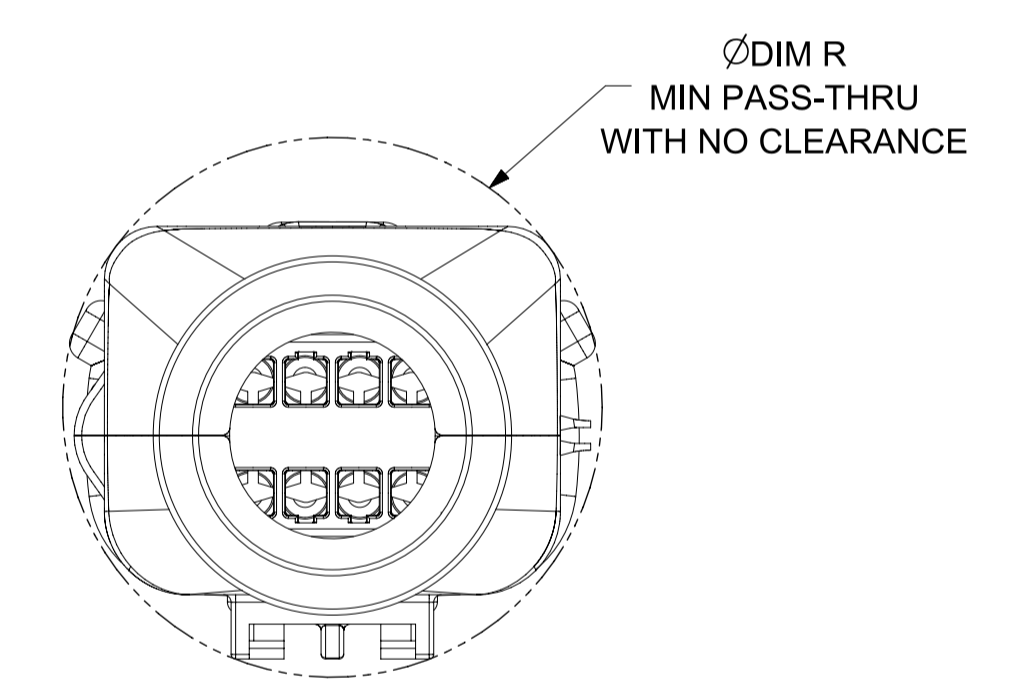
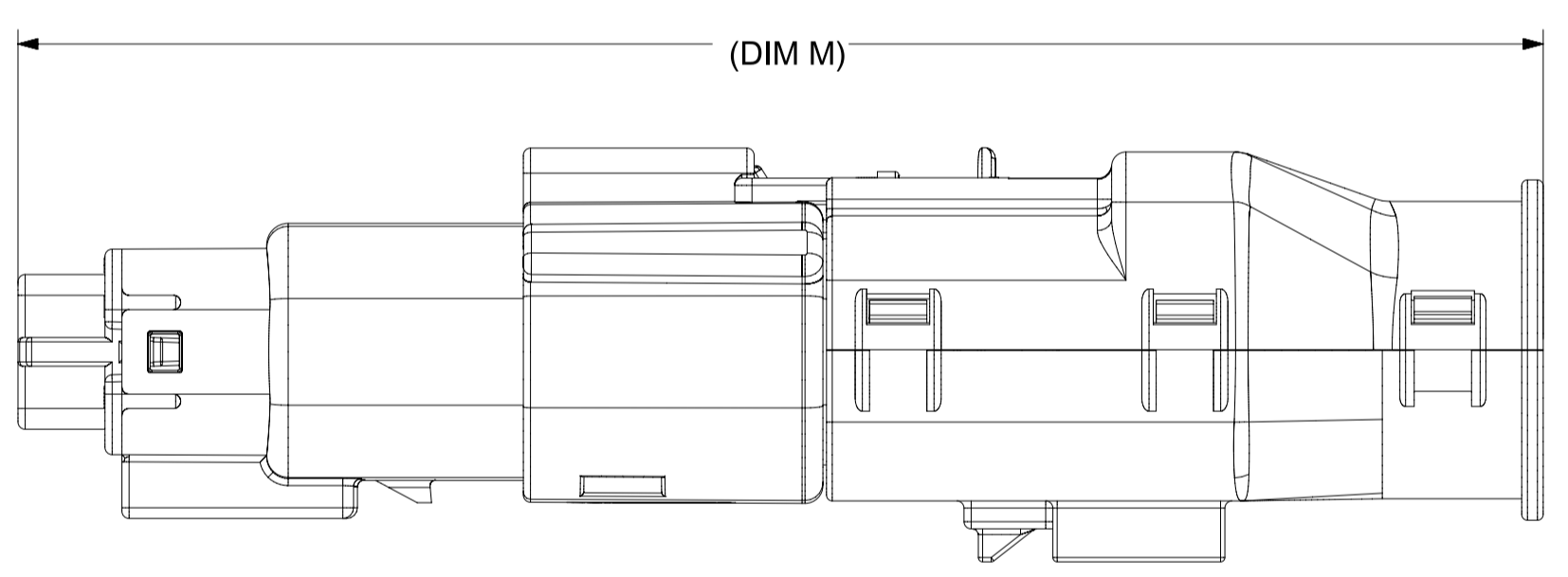
CKT	BLADE CONFIGURATION	RECEPTACLE CONFIGURATION	DIMENSIONS				
			M	N	P	R	T
2X3	STANDARD	STANDARD	106.83	32.75	31.75	29.00	29.50
	LENGTHENED		108.71				
2X4	STANDARD	STANDARD	106.83	33.50	31.90	30.70	30.70
2X6	STANDARD	STANDARD	106.83	37.84	37.27	35.83	36.83



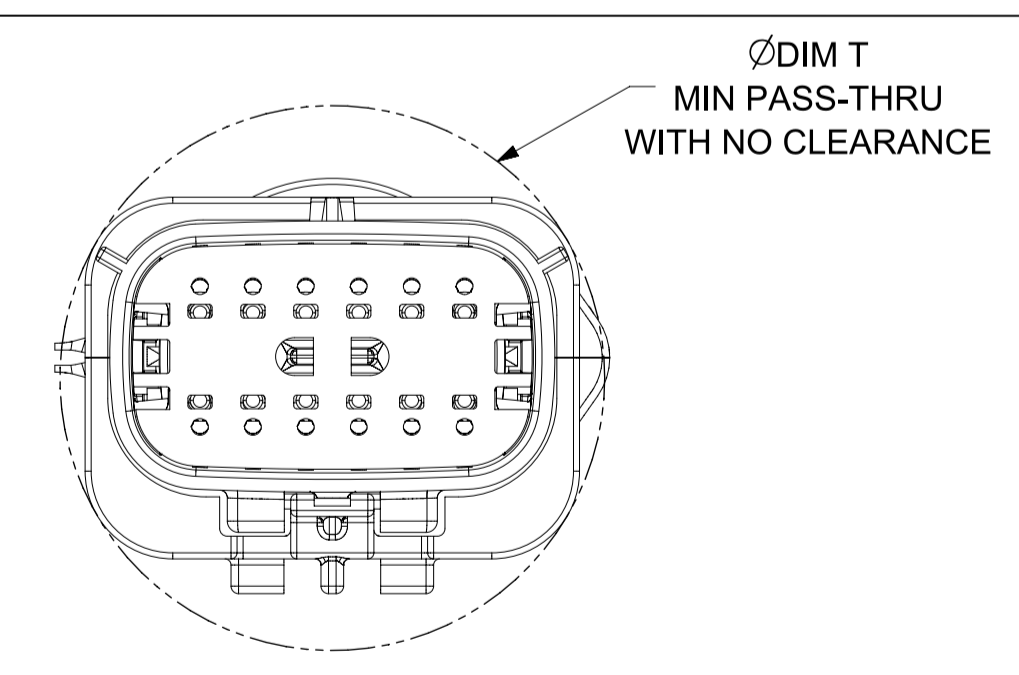
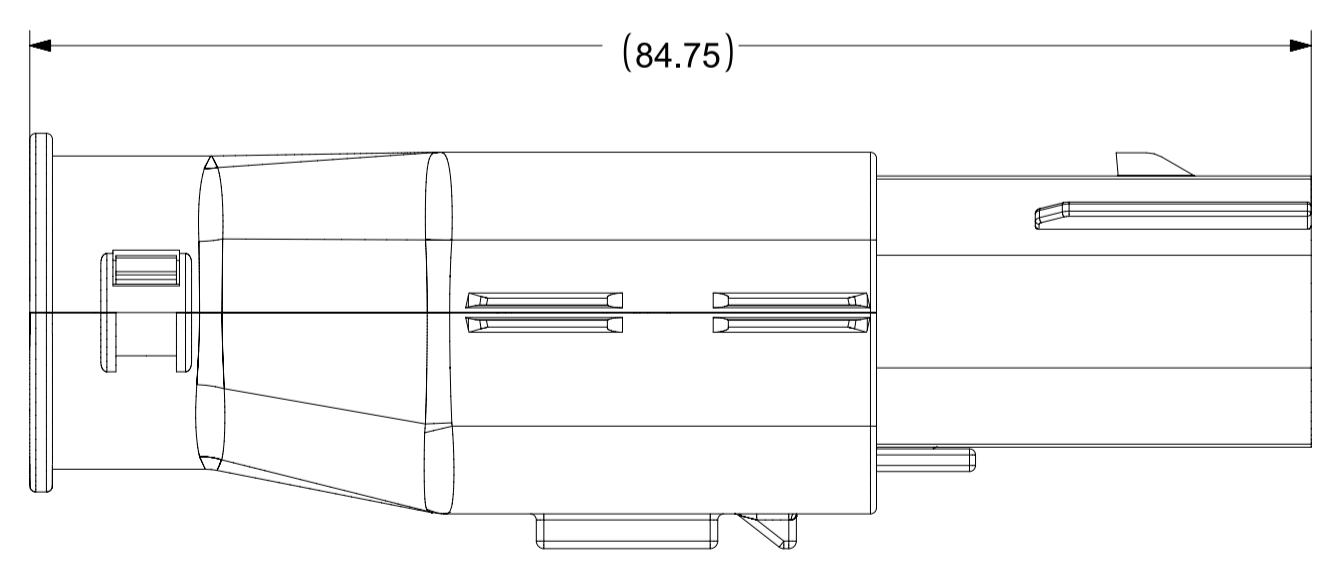
OVERALL MATED SYSTEM WITH BLADE AND RECEPTACLE BACKSHELL



OVERALL MATED SYSTEM WITH BLADE BACKSHELL



OVERALL MATED SYSTEM WITH RECEPTACLE BACKSHELL



BLADE SEALED ASSEMBLY WITH BLADE BACKSHELL

<b>FUNCTIONAL SYMBOLS</b> $\frac{F}{A} = 0$ $\frac{F}{C} = 0$ $\frac{F}{P} = 0$ <b>DIVISIONAL SYMBOLS</b>	THIS DRAWING CONTAINS INFORMATION THAT IS PROPRIETARY TO MOLEX ELECTRONIC TECHNOLOGIES, LLC AND SHOULD NOT BE USED WITHOUT WRITTEN PERMISSION	DIMENSION UNITS: <b>mm</b>	SCALE: <b>2:1</b>	CURRENT REV DESC:		
	GENERAL TOLERANCES (UNLESS SPECIFIED)			STATUS: Production		
	ANGULAR TOL ± 1'			DRWN: Yann Chen		
	4 PLACES ±			CHK'D: Yu Chao Fu		
3 PLACES ±			APPR: Elvis Song			
2 PLACES ± 0.100			2023-09-26			
1 PLACE ± 0.20			2023-09-26			
0 PLACES ±			2023-09-27			
DRAFT WHERE APPLICABLE MUST REMAIN WITHIN DIMENSIONS			THIRD ANGLE PROJECTION	DRAWING: <b>A1-SIZE</b>	SERIES: <b>33482</b>	DOCUMENT NUMBER: <b>SD-33482-0001</b>
			CUSTOMER: <b>GENERAL MARKET</b>		DOC TYPE: <b>PSD</b>	DOC PART: <b>001</b>
			SHEET NUMBER: <b>10 OF 11</b>		REVISION: <b>E3</b>	

**molex**

MX150 BLADE  
DUAL ROW SEALED ASSEMBLY

PRODUCT SALES DRAWING

DOCUMENT NUMBER: SD-33482-0001 | DOC TYPE: PSD | DOC PART: 001 | REVISION: E3

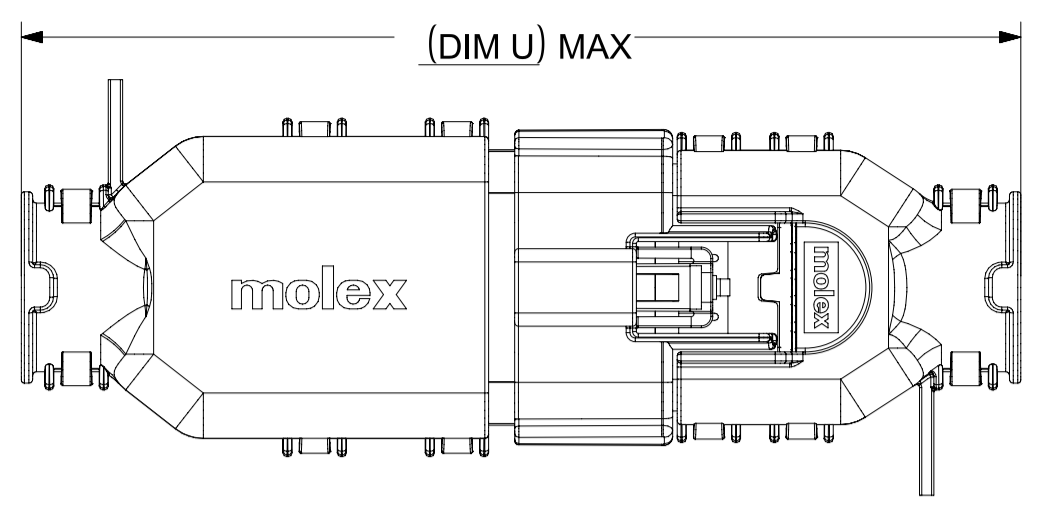
STATUS: Production  
DRWN: Yann Chen  
CHK'D: Yu Chao Fu  
APPR: Elvis Song  
2023-09-26  
2023-09-26  
2023-09-27

DRAWING: **A1-SIZE**  
SERIES: **33482**

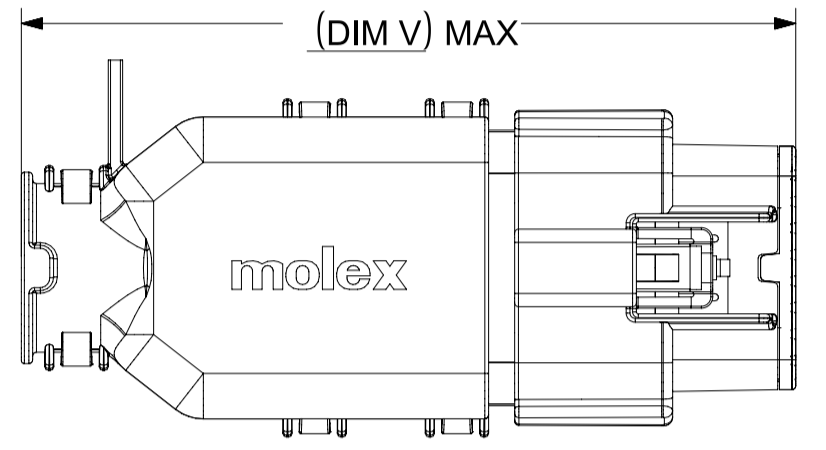
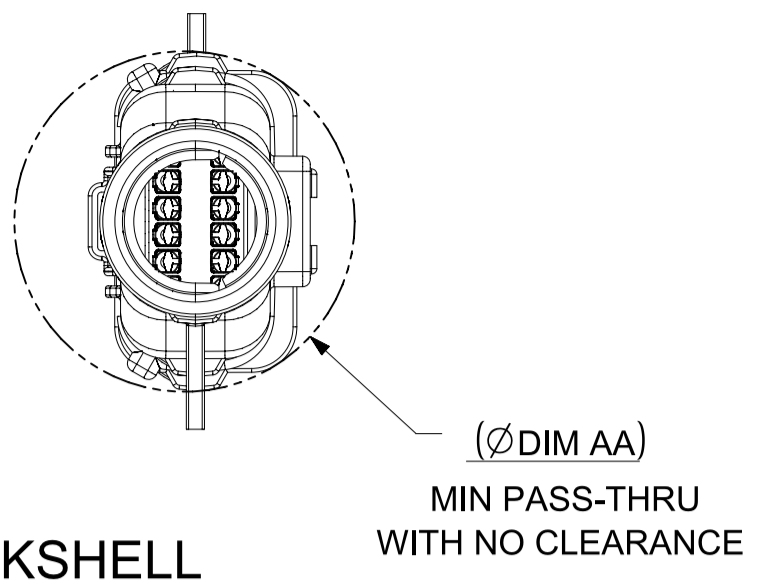
CUSTOMER: **GENERAL MARKET**  
SHEET NUMBER: **10 OF 11**

SHEET DESCRIPTION  
MOLEX BACKSHELL CONFIGURATIONS

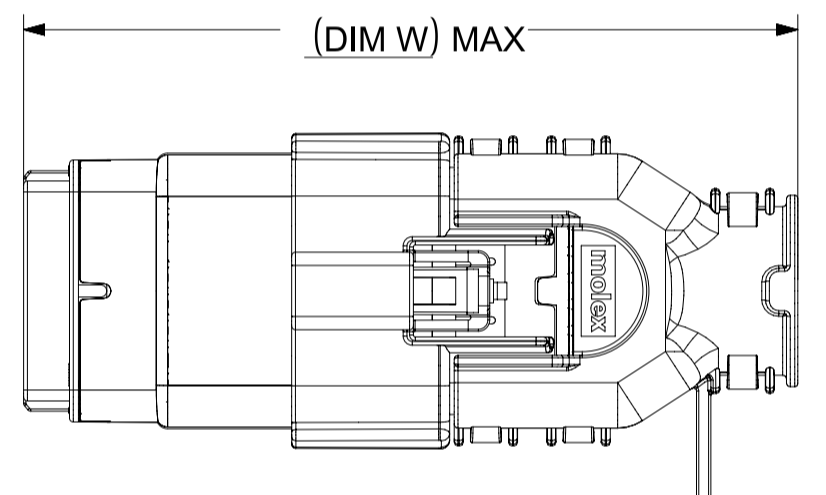
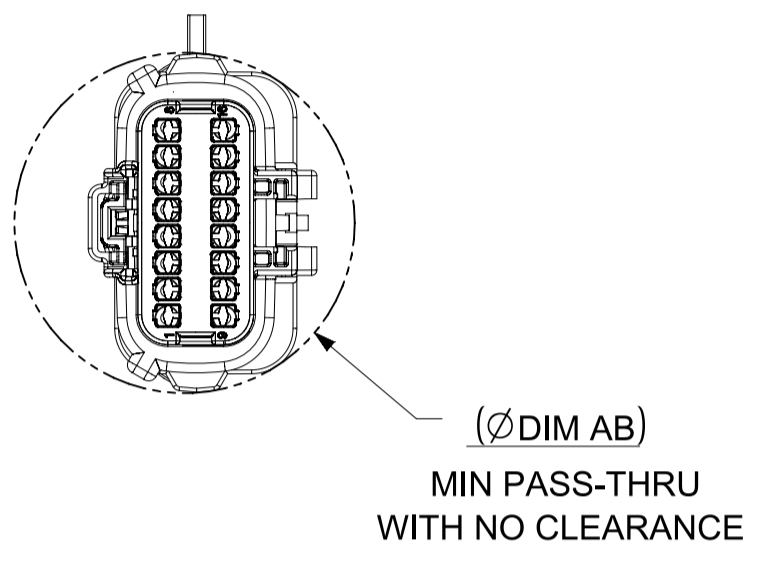
CKT	BLADE CONFIGURATION	RECEPTACLE CONFIGURATION	DIMENSIONS									
			U	V	W	X	Y	AA	AB	AC	AD	AE
2X4	STANDARD	STANDARD	115.24	94.36	93.93	75.62	32.10	32.93	32.54	32.85	31.76	56.81
2X8	STANDARD	STANDARD	132.49	102.81	102.73	84.07	36.10	45.44	45.44	42.65	45.44	68.18
2X10	STANDARD	STANDARD	132.49	102.81	102.73	84.07	36.10	45.44	45.44	42.65	45.44	68.18



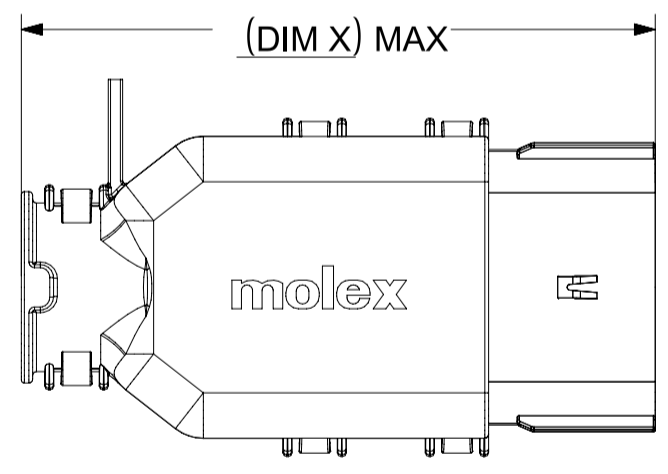
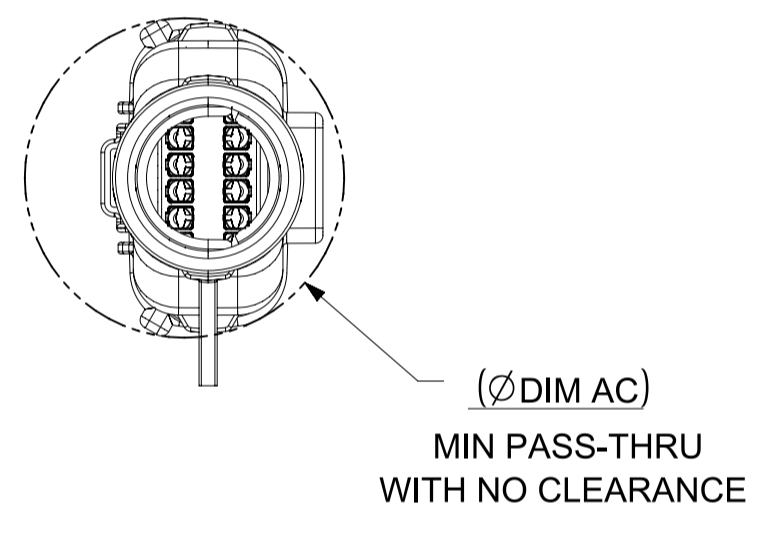
OVERALL MATED SYSTEM WITH BLADE AND RECEPTACLE BACKSHELL



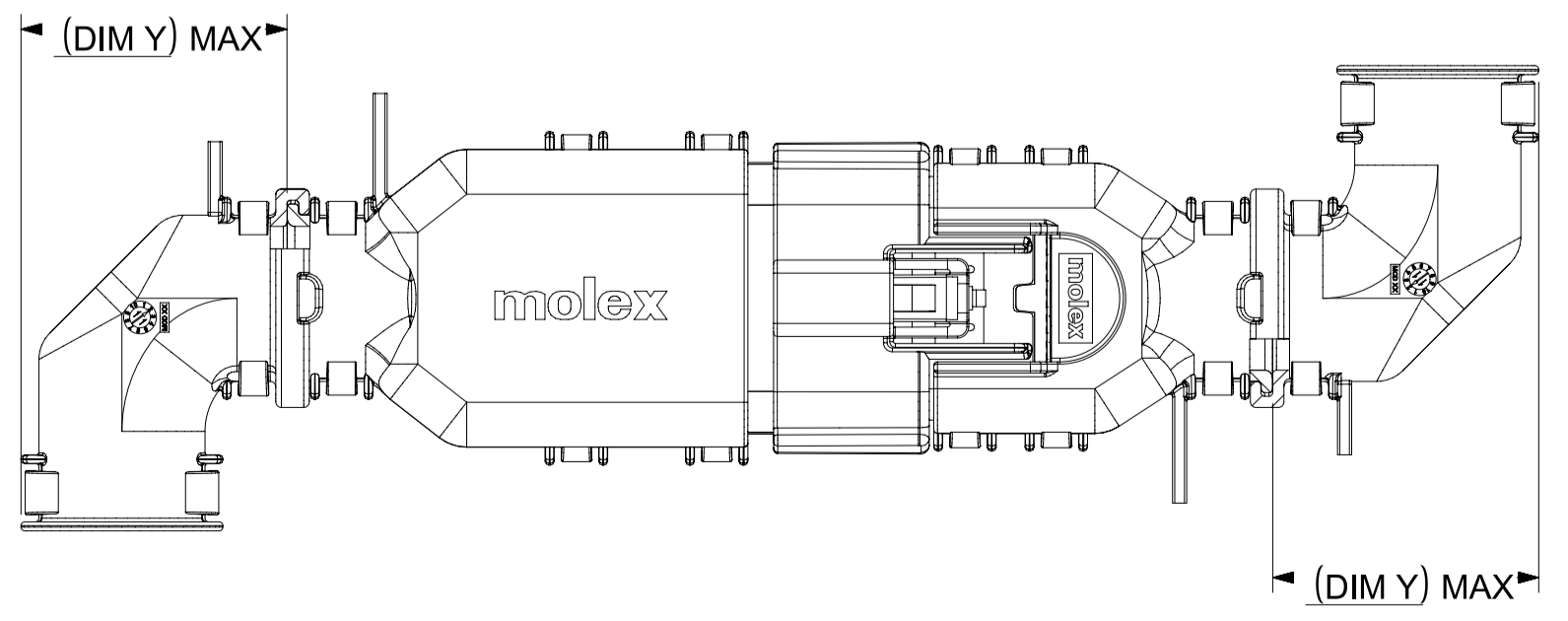
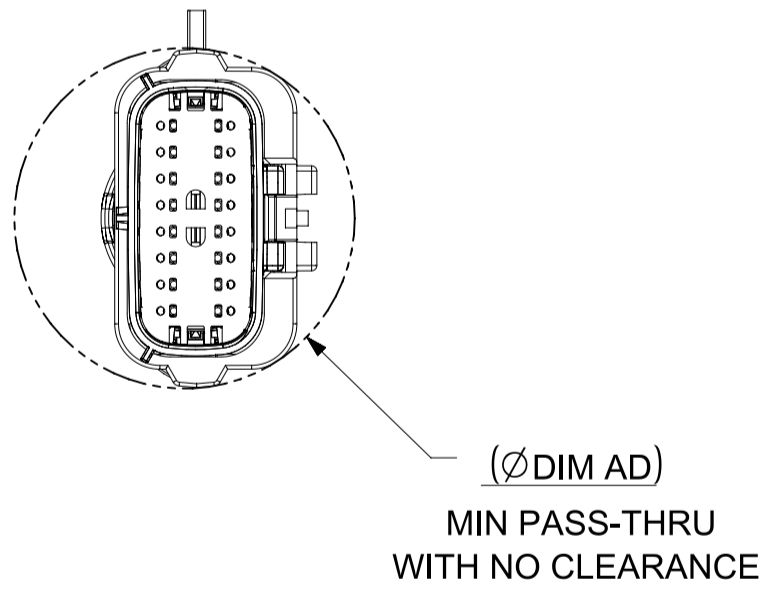
OVERALL MATED SYSTEM WITH BLADE BACKSHELL



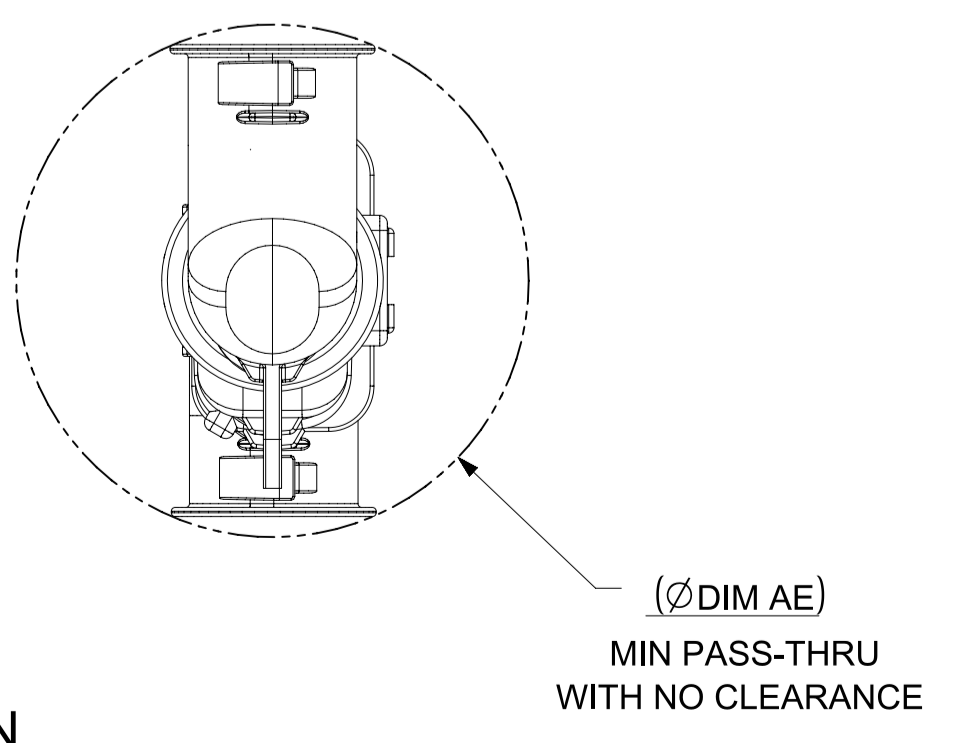
OVERALL MATED SYSTEM WITH RECEPTACLE BACKSHELL



BLADE SEALED ASSEMBLY WITH BLADE BACKSHELL



ADD THE VALUE OF 'Y' TO THE TOTAL DIMENSION WHENEVER ADAPTOR IS USED



<b>FUNCTIONAL SYMBOLS</b> $\frac{F}{A} = 0$ $\frac{F}{C} = 0$ $\frac{F}{P} = 0$ <b>DIVISIONAL SYMBOLS</b>	THIS DRAWING CONTAINS INFORMATION THAT IS PROPRIETARY TO MOLEX ELECTRONIC TECHNOLOGIES, LLC AND SHOULD NOT BE USED WITHOUT WRITTEN PERMISSION		CURRENT REV DESC:		<p>MX150 BLADE DUAL ROW SEALED ASSEMBLY</p> <p>PRODUCT SALES DRAWING</p>					
	DIMENSION UNITS	SCALE	STATUS: Production			DOCUMENT NUMBER				
	mm	1:1	DRWN: Yann Chen			SD-33482-0001				
	GENERAL TOLERANCES (UNLESS SPECIFIED)		CHK'D: Yu Chao Fu			DOC TYPE   DOC PART   REVISION				
ANGULAR TOL ± 1'		APPR: Elvis Song		PSD   001   E3						
4 PLACES ±		2023-09-26		<table border="1"> <tr> <th>MATERIAL NUMBER</th> <th>CUSTOMER</th> <th>SHEET NUMBER</th> </tr> <tr> <td></td> <td>GENERAL MARKET</td> <td>11 OF 11</td> </tr> </table>	MATERIAL NUMBER	CUSTOMER	SHEET NUMBER		GENERAL MARKET	11 OF 11
MATERIAL NUMBER	CUSTOMER	SHEET NUMBER								
	GENERAL MARKET	11 OF 11								
3 PLACES ±		2023-09-26								
2 PLACES ± 0.100		2023-09-27								
1 PLACE ± 0.20		THIRD ANGLE PROJECTION								
0 PLACES ±		DRAWING								
DRAFT WHERE APPLICABLE MUST REMAIN WITHIN DIMENSIONS		A1-SIZE								
		SERIES								
		33482								