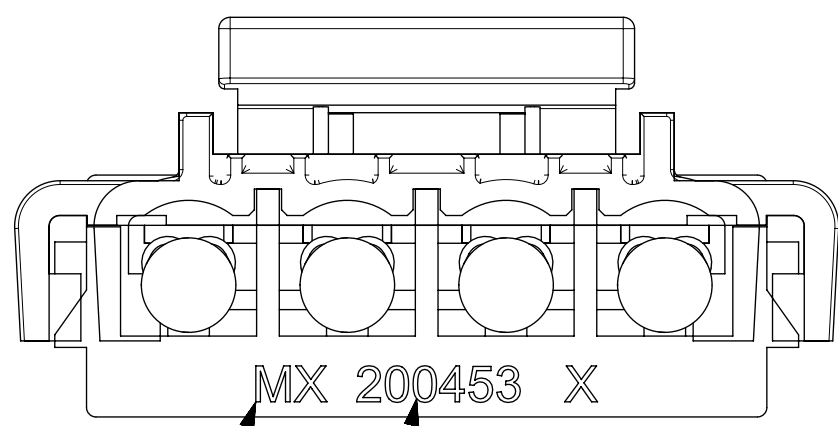
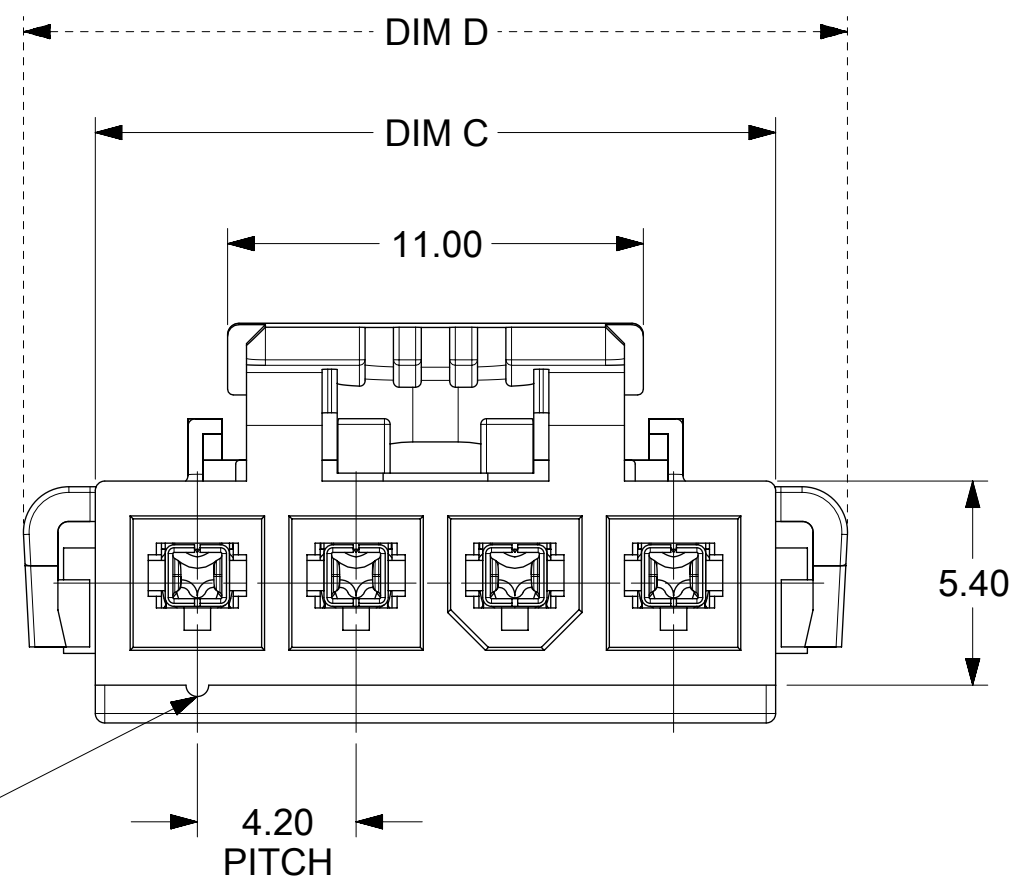
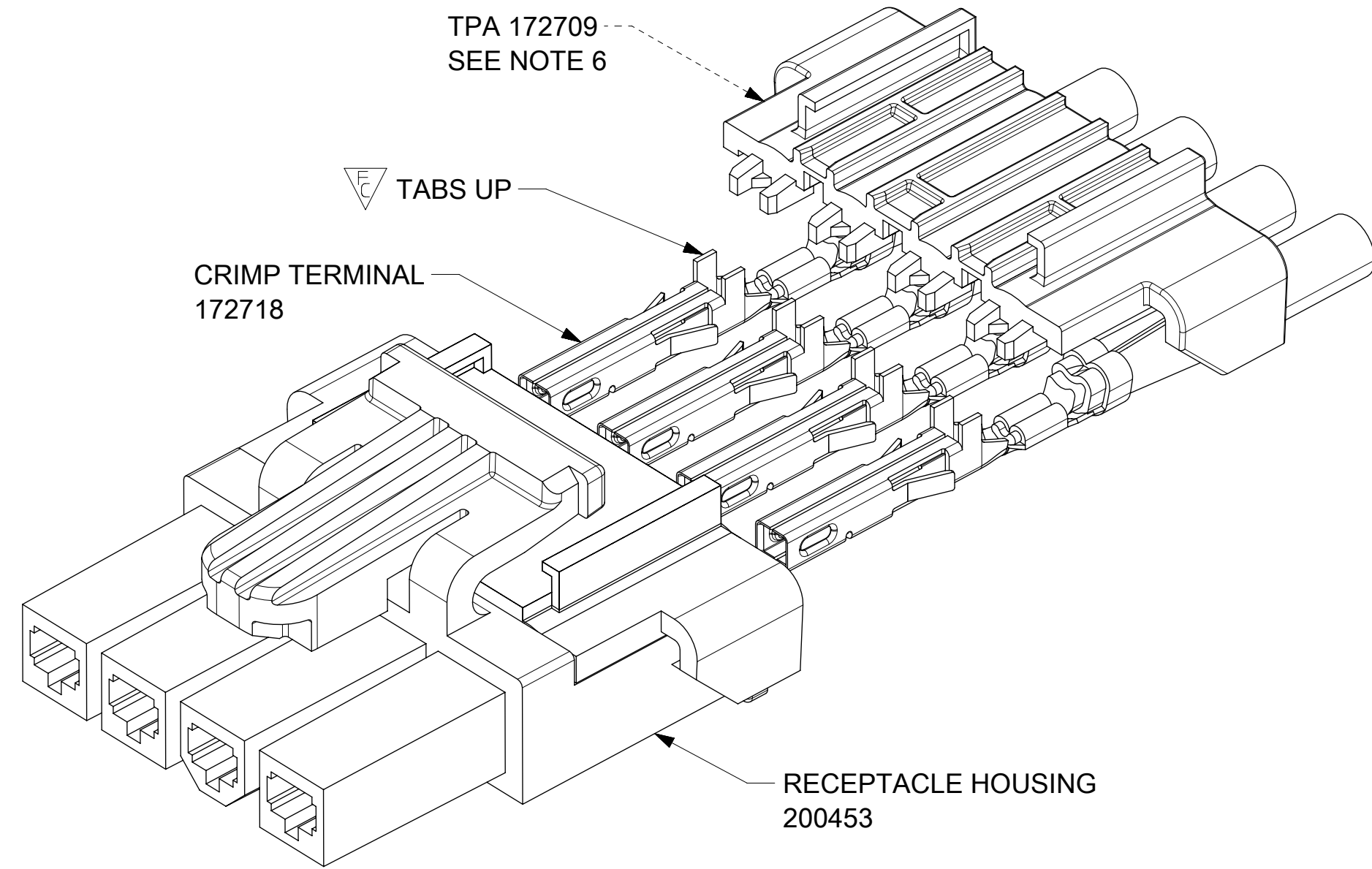
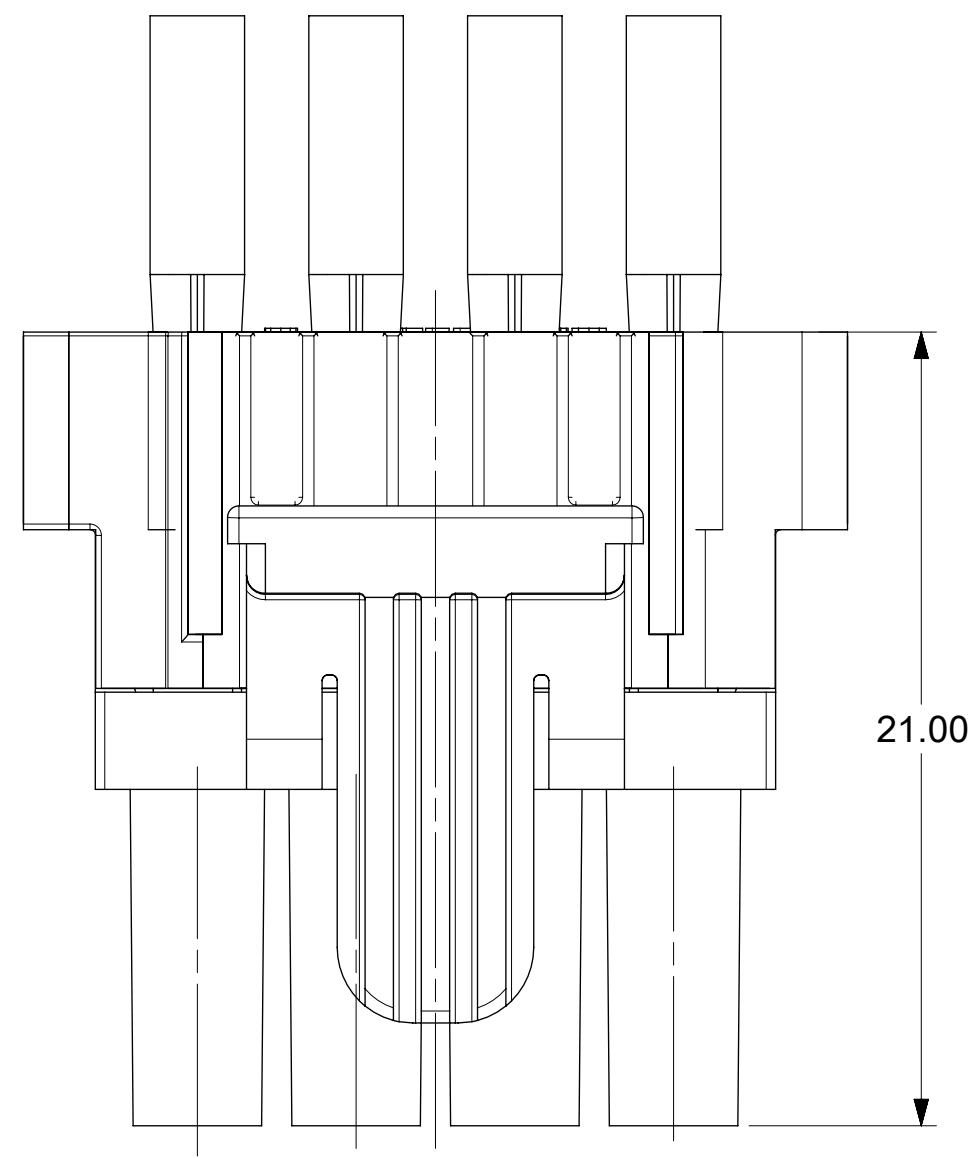


PART NUMBER	CKTS	DIM C	DIM D	MATERIAL
2004530002	2	9.60	13.40	A
2004530102	2	9.60	13.40	B
2004530202	2	9.60	13.40	C
2004530003	3	13.80	17.60	A
2004530103	3	13.80	17.60	B
2004530203	3	13.80	17.60	C
2004530004	4	18.00	21.80	A
2004530104	4	18.00	21.80	B
2004530204	4	18.00	21.80	C
2004530005	5	22.20	26.00	A
2004530105	5	22.20	26.00	B
2004530205	5	22.20	26.00	C
2004530006	6	26.40	30.20	A
2004530106	6	26.40	30.20	B
2004530206	6	26.40	30.20	C



MOLEX ID  
MOLEX SERIES

FIRST CKT ID

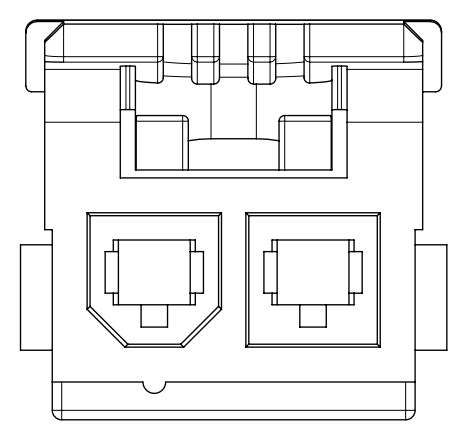
**NOTES:**

- MATERIAL:  
'A' = NYLON V-0, LOW HALOGEN, COLOR: BLACK  
'B' = NYLON V-2, GLOW WIRE CAPABLE, COLOR: BLACK  
'C' = NYLON V-2; COLOR: BLACK
- FINISH: NONE
- PRODUCT SPECIFICATION: PS-172718-0000  
APPLICATION SPECIFICATION: AS-172718-0000
- PACKAGING SPECIFICATION:  
2004530000-PK
- THIS HOUSING TO BE USED WITH FEMALE TERMINAL SERIES 172718, 202988 AND TPA SERIES 172709.
- THIS PRODUCT MUST BE USED WITH THE TPA INSTALLED.
- THIS PART MATES WITH SERIES 5559, 5566, 5569, 200471 AND 200488.
- THIS PART CONFORMS TO CLASS 'B' REQUIREMENTS OF COSMETIC SPECIFICATION PS-45499-002.
- FOR 'B' MATERIAL USE CLASS C GATE BLIMISH SPEC.

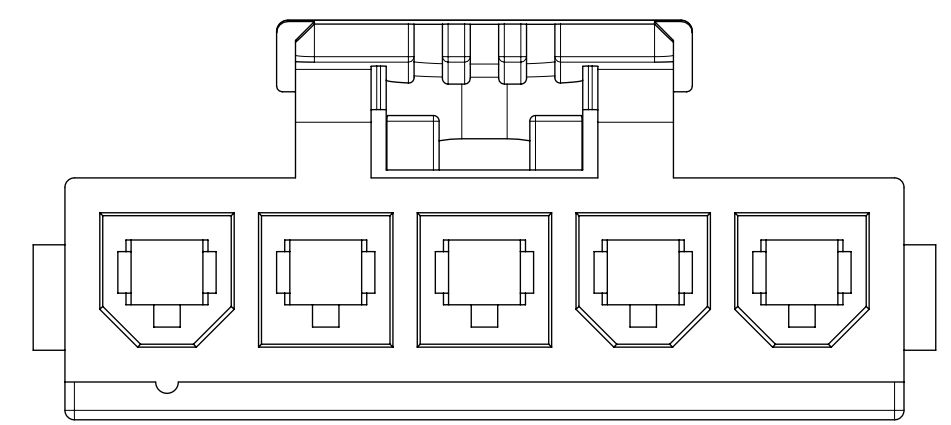
QUALITY SYMBOLS	THIS DRAWING CONTAINS INFORMATION THAT IS PROPRIETARY TO MOLEX ELECTRONIC TECHNOLOGIES, LLC AND SHOULD NOT BE USED WITHOUT WRITTEN PERMISSION		DIMENSION UNITS	SCALE	<b>molex</b>
▽ = 0	EC NO: 656113 DRWN: SHRUTJ CHKD: SHRUTJ REV / APPR: ISHWARG	2021/02/19 2021/02/19 2021/06/17	mm	5:1	
▽ = 2			GENERAL TOLERANCES (UNLESS SPECIFIED)	DRWN BY	DATE
▽ = 0			ANGULAR TOL ± °	TGREGORI	2016/10/18
▼ = 0			4 PLACES ±	CHKD BY	DATE
▽ = 0			3 PLACES ±	TGREGORI	2016/10/18
▽ = 0			2 PLACES ± 0.13	APPR BY	DATE
⊠ = 0			1 PLACE ± 0.2	RHODGE	2016/10/20
■ = 0			0 PLACES ±	DRAWING SIZE	THIRD ANGLE PROJECTION
▽ = 0			DRAFT WHERE APPLICABLE MUST REMAIN WITHIN DIMENSIONS	C	
			SERIES		MATERIAL NUMBER
			200453		SEE TABLE
			DOCUMENT NUMBER		DOC TYPE
			2004530000-SD		PSD
			DOC PART		SHEET NUMBER
			000		1 OF 2

# POLARIZATION DETAIL

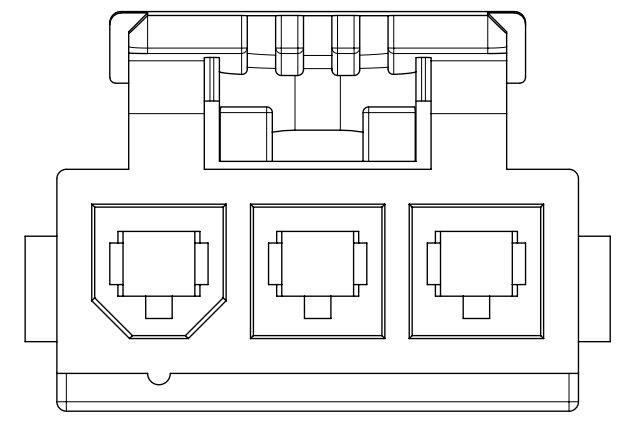
2 CKT



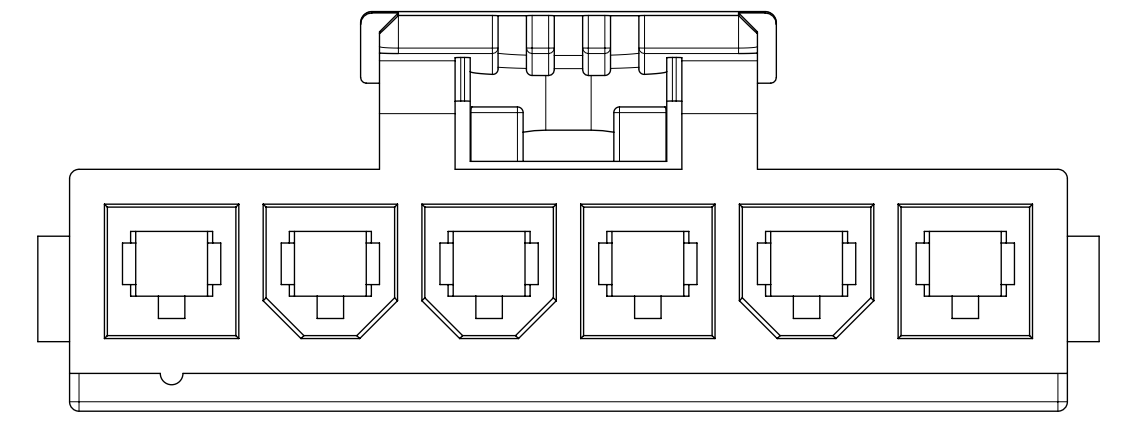
5 CKT



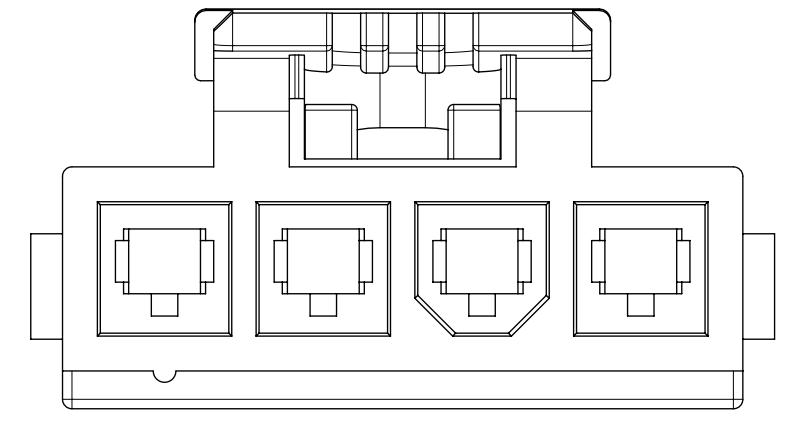
3 CKT



6 CKT



4 CKT



<b>QUALITY SYMBOLS</b> 		THIS DRAWING CONTAINS INFORMATION THAT IS PROPRIETARY TO MOLEX ELECTRONIC TECHNOLOGIES, LLC AND SHOULD NOT BE USED WITHOUT WRITTEN PERMISSION		<b>GENERAL TOLERANCES (UNLESS SPECIFIED)</b> DIMENSION UNITS: mm SCALE: 1:1 ANGULAR TOL ± °		<b>molex®</b> HOUSING, SINGLE ROW RECEPTACLE MINI-FIT TPA2	
EC NO: 666113	2021/02/19	DRWN: SHRUTJ	2021/02/19	4 PLACES ±	DRWN BY: TGREGORI	DATE: 2016/10/18	PRODUCT CUSTOMER DRAWING SERIES: 200453 MATERIAL NUMBER: SEE TABLE CUSTOMER: GENERAL MARKET
CHKD: SHRUTJ	2021/06/17	CHKD: SHRUTJ	2021/06/17	3 PLACES ±	CHKD BY: TGREGORI	DATE: 2016/10/18	
REV: APPR: ISHWARG		REV: APPR: ISHWARG		2 PLACES ± 0.13	APPR BY: RHODGE	DATE: 2016/10/20	DOCUMENT NUMBER: 2004530000-SD DOC TYPE: PSD DOC PART: 000 SHEET NUMBER: 2 OF 2
				1 PLACE ± 0.2	DRAWING SIZE: C	THIRD ANGLE PROJECTION:	
				0 PLACES ±	DRAFT WHERE APPLICABLE MUST REMAIN WITHIN DIMENSIONS		