

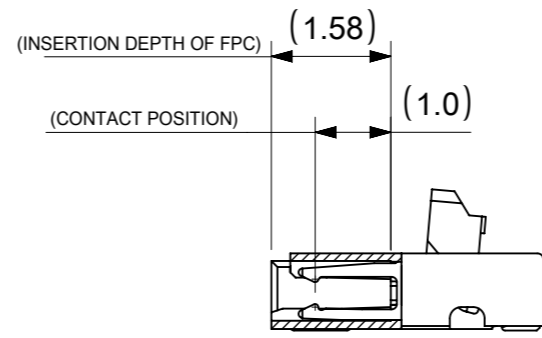
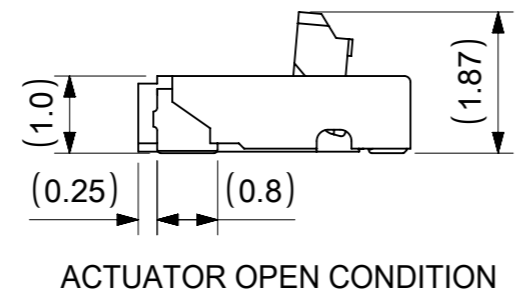
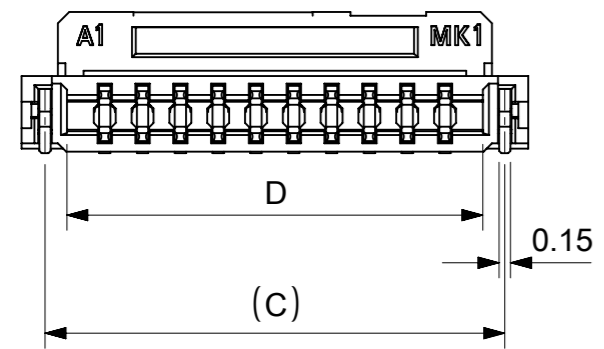
PICK-UP AREA(REF.)

N:CIRCUITS

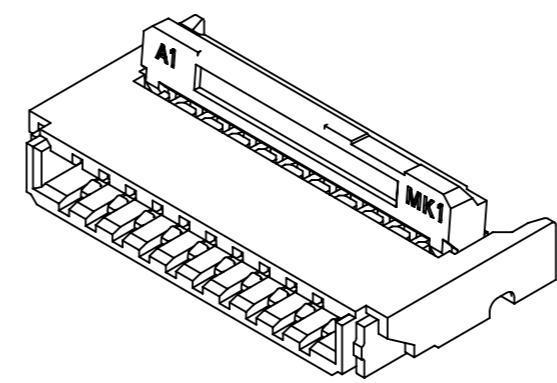
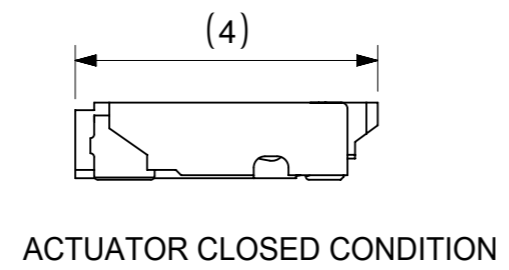
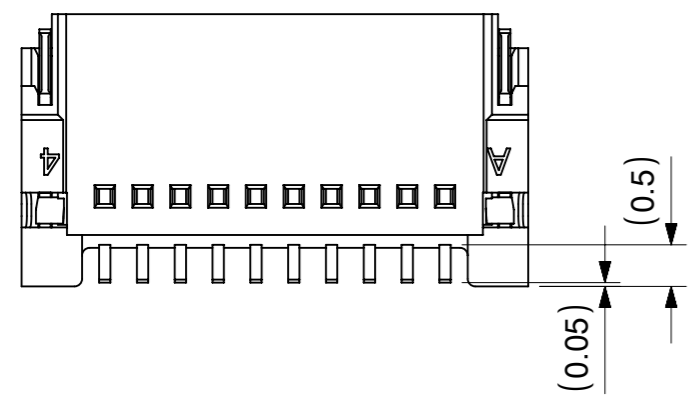
P.W.BOARD PATTERN DIMENSION(REF.)
(MOUNT AREA)

METAL MASK THICKNESS : 0.1mm
OPENING AREA : TERM.(0.7X0.3)
NAIL(1.0X0.3)

N:CIRCUITS



SECTION Y-Y

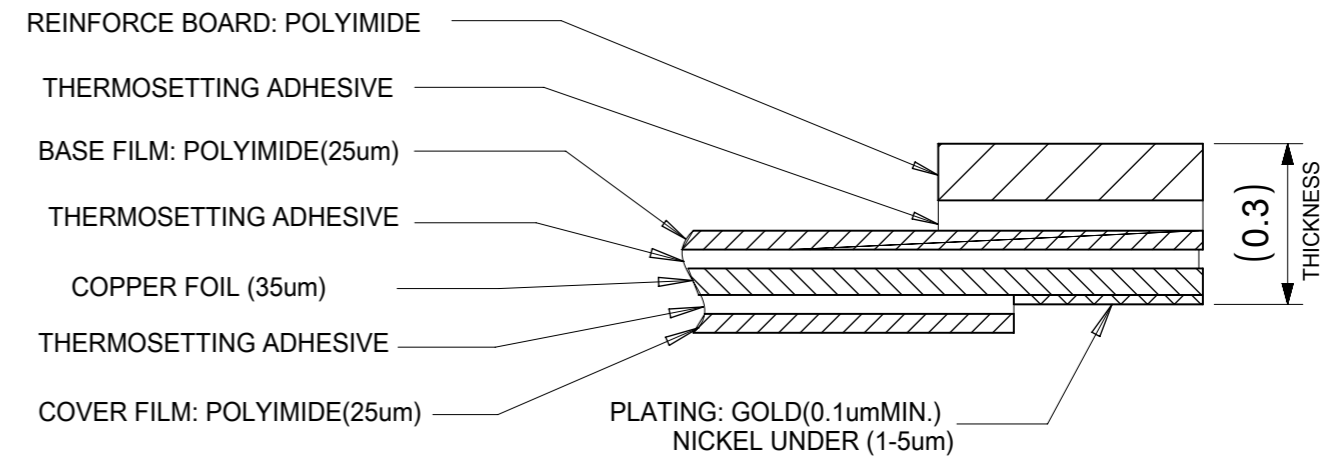
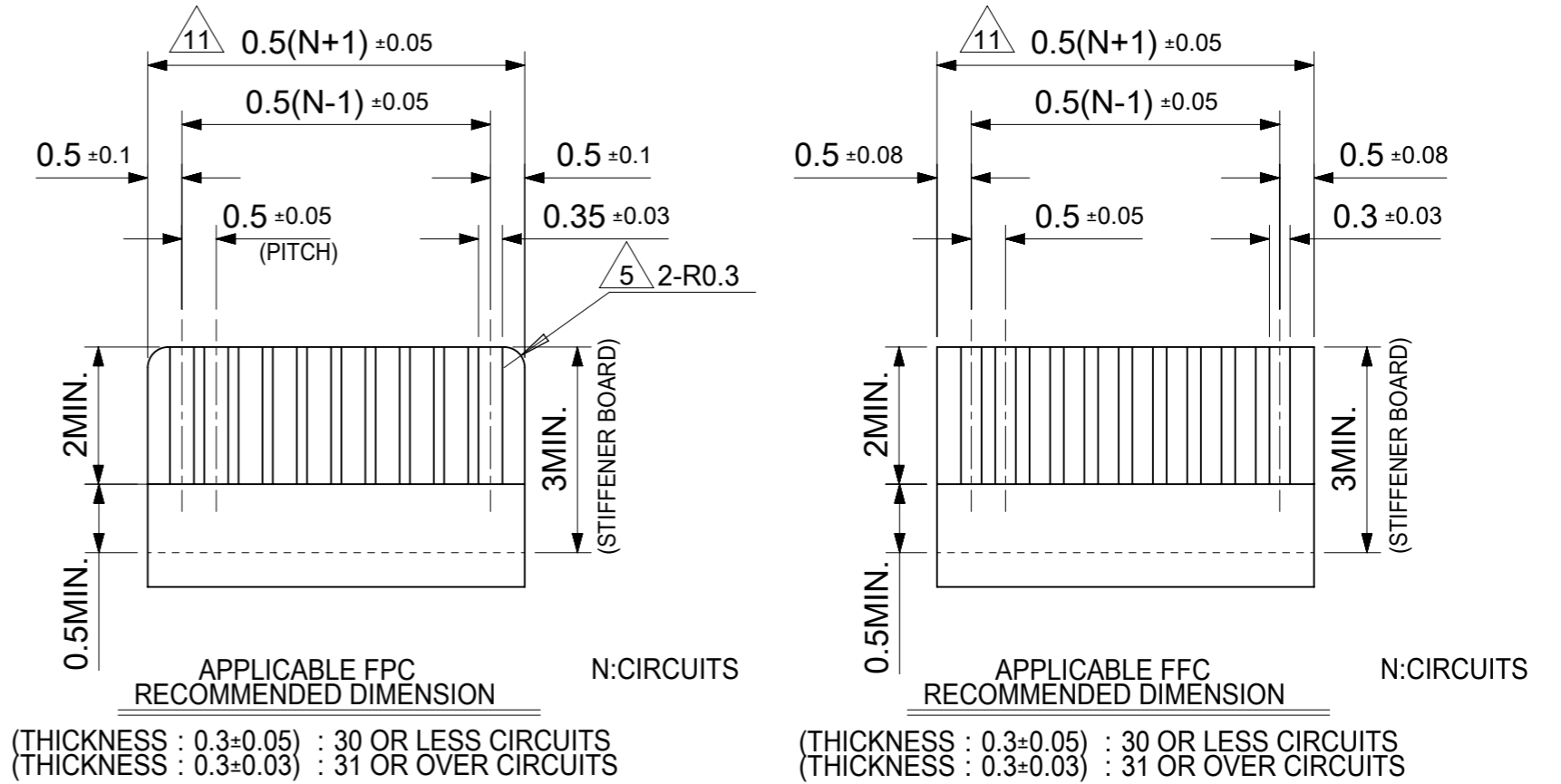


3.5	4.08	2.5	4.7	503480-0640	6
3.0	3.58	2.0	4.2	503480-0540	5
2.5	3.08	1.5	3.7	503480-0440	4
D	C	B	A	EMBOSSED PACKAGE ORDER NO.	CIRCUIT
CONNECTOR SERIES No. 503480-**49					

THIS DRAWING CONTAINS INFORMATION THAT IS PROPRIETARY TO MOLEX ELECTRONIC TECHNOLOGIES, LLC AND SHOULD NOT BE USED WITHOUT WRITTEN PERMISSION					
DIMENSION UNITS mm	SCALE 1:1	CURRENT REV DESC:			
GENERAL TOLERANCES (UNLESS SPECIFIED)		molex 0.5 FPC CONN. E/O BACKFLIP H=1.0MM ASSEMBLY PRODUCT CUSTOMER DRAWING			
ANGULAR TOL	± 1.0 °				
4 PLACES	± 0.2				
3 PLACES	± 0.2				
2 PLACES	± 0.2				
1 PLACE	± 0.2				
0 PLACES	± 0.2	EC NO: 740220	2023/02/17	DOCUMENT NUMBER	
DRAFT WHERE APPLICABLE MUST REMAIN WITHIN DIMENSIONS		THIRD ANGLE PROJECTION	DRAWING	SERIES	MATERIAL NUMBER
			A3-SIZE	503480	SEE TABLE
		DRWN: YRKIM	2014/06/11	CUSTOMER	GENERAL MARKET
		APPR: YSKIM02	2014/07/15	SD-503480-003	PSD 001 C
				SHEET NUMBER	1 OF 2

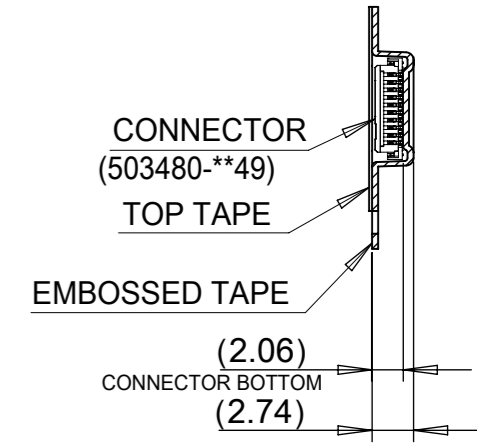
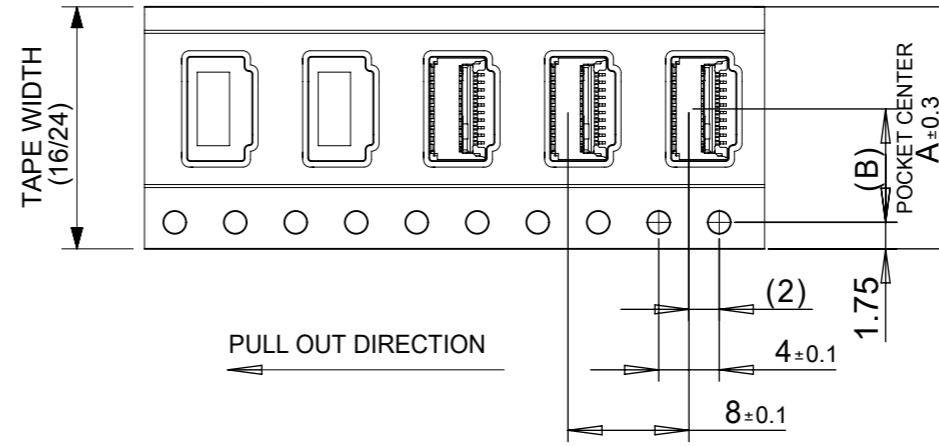
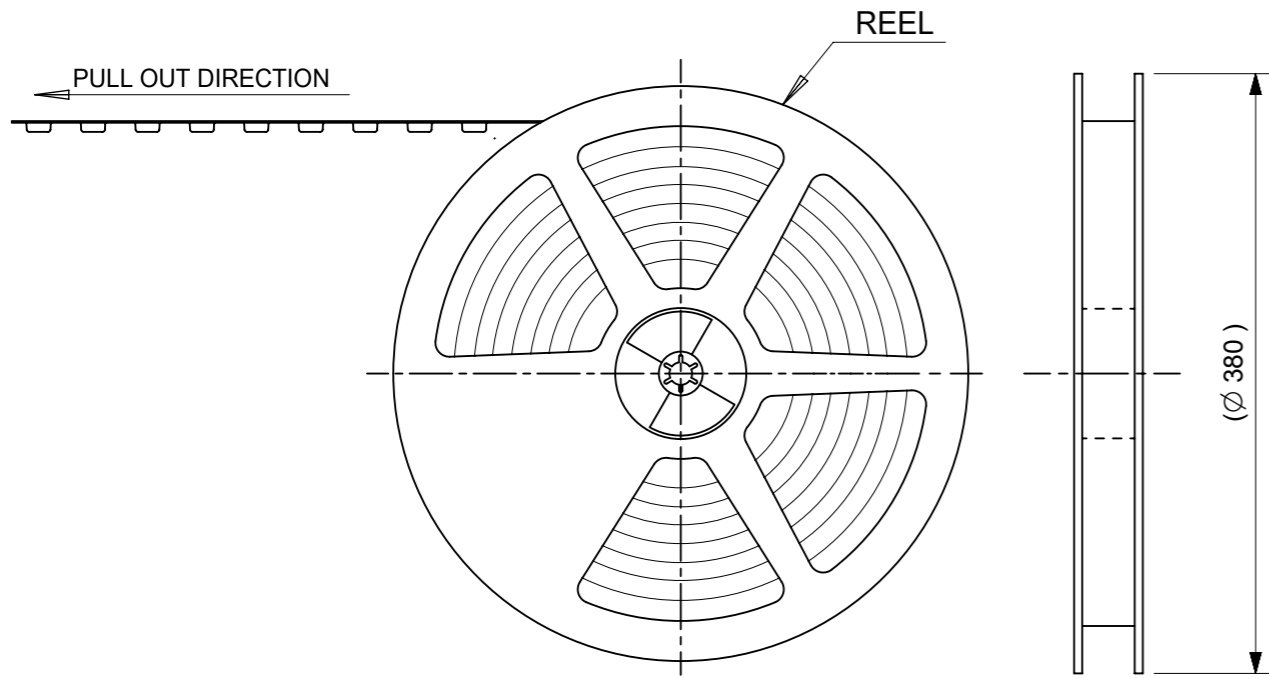
NOTES

1. PART COMPOSITION
 HOUSING MATERIAL: LIQUID CRYSTAL POLYMER(LCP), GLASS FILLED, UL94V-0, NATURAL(WHITE)
 TERMINAL MATERIAL: PHOSPHOR BRONZE
 CONTACT AREA : SEPARATED GOLD PLATING (0.1 MICROMETER MINIMUM)
 SOLDER TAIL AREA : SEPARATED GOLD PLATING
 UNDERPLATE : NICKEL OVERALL (1.0 MICROMETER MINIMUM)
 ACTUATOR MATERIAL : POLYAMIDE(PA), GLASS FILLED, UL94 HB, BLACK
 NAIL MATERIAL: PHOSPHOR BRONZE
 SOLDER TAIL AREA : TIN OVERALL(1.0 MICROMETER MINIMUM)
 UNDERPLATE : NICKEL OVERALL(1.0 MICROMETER MINIMUM)
2. PLEASE DO NOT OPERATE THE ACTUATOR BEFORE MOUNTING.
3. PLEASE OPERATE THE ACTUATOR AFTER INSERTING THE FPC INTO THE CONNECTOR.
4. ABOUT FPC
 RECOMMENDED STIFFENER MATERIAL: POLYIMIDE
 RECOMMENDED BASE FILM THICKNESS: 25 MICROMETER
 RECOMMENDED ADHESIVE: THERMOSETTING ADHESIVE
 NOTE: PLEASE PUT APPROPRIATE AMOUNT OF ADHESIVE ON ADHEREND BECAUSE THERE IS A POSSIBILITY THAT THE EXTRA ADHESIVE CAUSES THE DEFECT IN ELECTRICAL CONTINUITY.
 RECOMMENDED PUNCHER DIRECTION: FROM CONDUCTOR SIDE TO STIFFENER FILM SIDE.
 RECOMMENDED CONDUCTOR SPECIFICATION: THICKNESS OF SOFT COPPER FOIL: 35MICROMETER
5. R0.3 MUST NOT BE OVERLAPPED TO PATTERN OF FPC.
6. COPLANARITY : 0.1 MAXIMUM
8. PLEASE RECOGNIZE A POSSIBILITY TO CHANGE THE SHAPE OF THE PART THAT DOES NOT OBSTRUCT A FUNCTION, BY CIRCUMSTANCES IN OUR PRODUCTION.
9. THIS PRODUCT IS DELIVERED WITH THE ACTUATOR IN THE OPEN POSITION.
10. THIS PRODUCT IS DUAL-CONTACT (TOP- AND BOTTOM-CONTACTS) TYPE CONNECTOR.
11. PLEASE CONFIRM TO INSERT FPC IN ADVANCE WHEN FPC WIDTH IS OVER $0.5(N+1)+0.02$.



STRUCTURE OF FPC

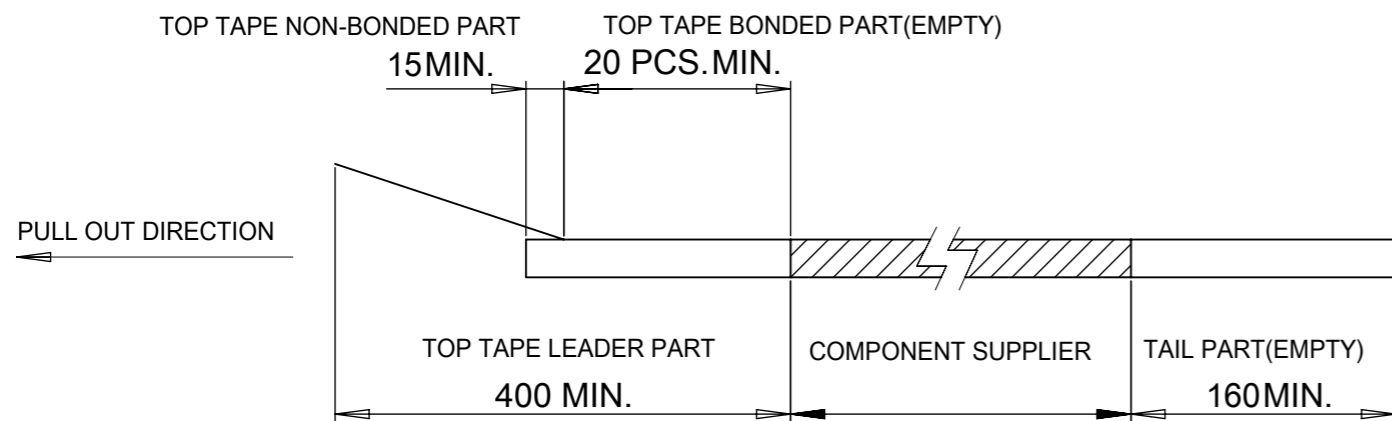
THIS DRAWING CONTAINS INFORMATION THAT IS PROPRIETARY TO MOLEX ELECTRONIC TECHNOLOGIES, LLC AND SHOULD NOT BE USED WITHOUT WRITTEN PERMISSION									
DIMENSION UNITS	SCALE	CURRENT REV DESC:							
mm	1:1								
GENERAL TOLERANCES (UNLESS SPECIFIED)		EC NO: 740220			0.5 FPC CONN. E/O BACKFLIP H=1.0MM ASSEMBLY				
ANGULAR TOL	± 1.0 °	DRWN: NARENC 2023/02/17							
4 PLACES	± 0.2	CHK'D: HSHIMUYAMA 2023/02/27			PRODUCT CUSTOMER DRAWING				
3 PLACES	± 0.2	APPR: YNAITO 2023/02/27							
2 PLACES	± 0.2	INITIAL REVISION:			DOCUMENT NUMBER: SD-503480-003 DOC TYPE: PSD DOC PART: 001 REVISION: C				
1 PLACE	± 0.2	DRWN: YRKIM 2014/06/11							
0 PLACES	± 0.2	APPR: YSKIM02 2014/07/15			MATERIAL NUMBER: SEE TABLE CUSTOMER: GENERAL MARKET SHEET NUMBER: 2 OF 2				
DRAFT WHERE APPLICABLE MUST REMAIN WITHIN DIMENSIONS		THIRD ANGLE PROJECTION	DRAWING	SERIES					
			A3-SIZE	503480					



DIRECTION OF CONNECTOR IN EMBOSSSED TAPE

NOTES

1. IN THE PACKAGE, PART NO. 503480-**49 DETAILED DIMENSIONS. REFER TO SD-503480-003.
2. NUMBER OF CONNECTORS : 4500PCS/REEL
- 3 LEAD TAPE LENGTH



4. MATERIAL
 CARRIER TAPE : PET
 TOP TAPE : PET, OTHER
 REEL : PS <RECYCLE MATERIAL CONTAINED>

5 . COVER TAPE PEEL FORCE IS DEFINED BY IEC60286-3.

7.5	16	16	503480-0640	6
			503480-0540	5
			503480-0440	4
B	A	TAPE WIDTH	ORDER NO.	CIRCUIT

10 UNDER : ±0.20
10 OVER 30 UNDER : ±0.25
30 OVER : ±0.30

FUNCTIONAL SYMBOLS	THIS DRAWING CONTAINS INFORMATION THAT IS PROPRIETARY TO MOLEX ELECTRONIC TECHNOLOGIES, LLC AND SHOULD NOT BE USED WITHOUT WRITTEN PERMISSION		CURRENT REV DESC:	
△/A = 0	mm	NTS		
△/E = 0	GENERAL TOLERANCES (UNLESS SPECIFIED)			
△/F = 0	ANGULAR TOL ± 3.0°			
DIVISIONAL SYMBOLS	4 PLACES	±	EC NO: 676145	
	3 PLACES	±	DRWN: ICYANG	2021/07/29
	2 PLACES	±	CHK'D: SHCHU	2021/09/02
	1 PLACE	±	APPR: SHCHU	2021/09/02
	0 PLACES	±	INITIAL REVISION:	
			DRWN: YRKIM	2014/06/11
			APPR: YSKIM02	2014/07/15
DRAFT WHERE APPLICABLE MUST REMAIN WITHIN DIMENSIONS		THIRD ANGLE PROJECTION	DRAWING	SERIES
			A3-SIZE	503480
			0.5 FPC CONN. E/O EMBOSSSED TAPE PACKAGE	
			PRODUCT CUSTOMER DRAWING	
DOCUMENT NUMBER			DOC TYPE	DOC PART
SD-503480-004			PSD	001
MATERIAL NUMBER			CUSTOMER	SHEET NUMBER
			GENERAL MARKET	1 OF 1