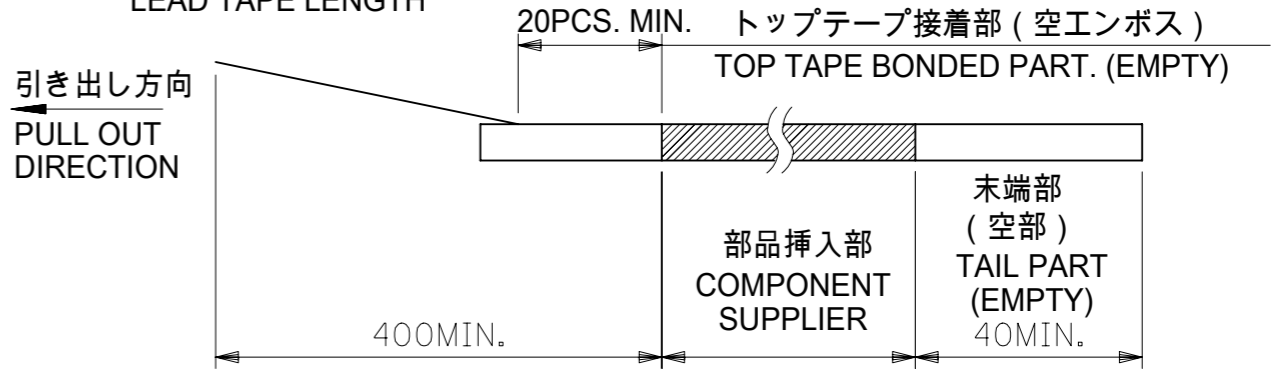


注記 NOTES

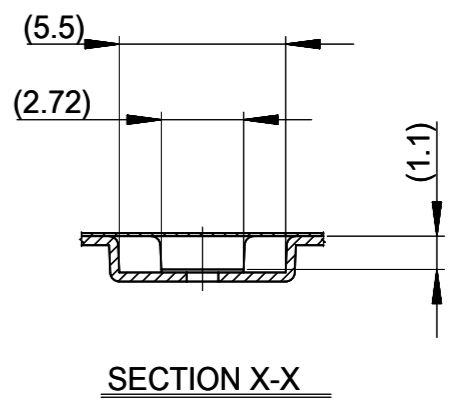
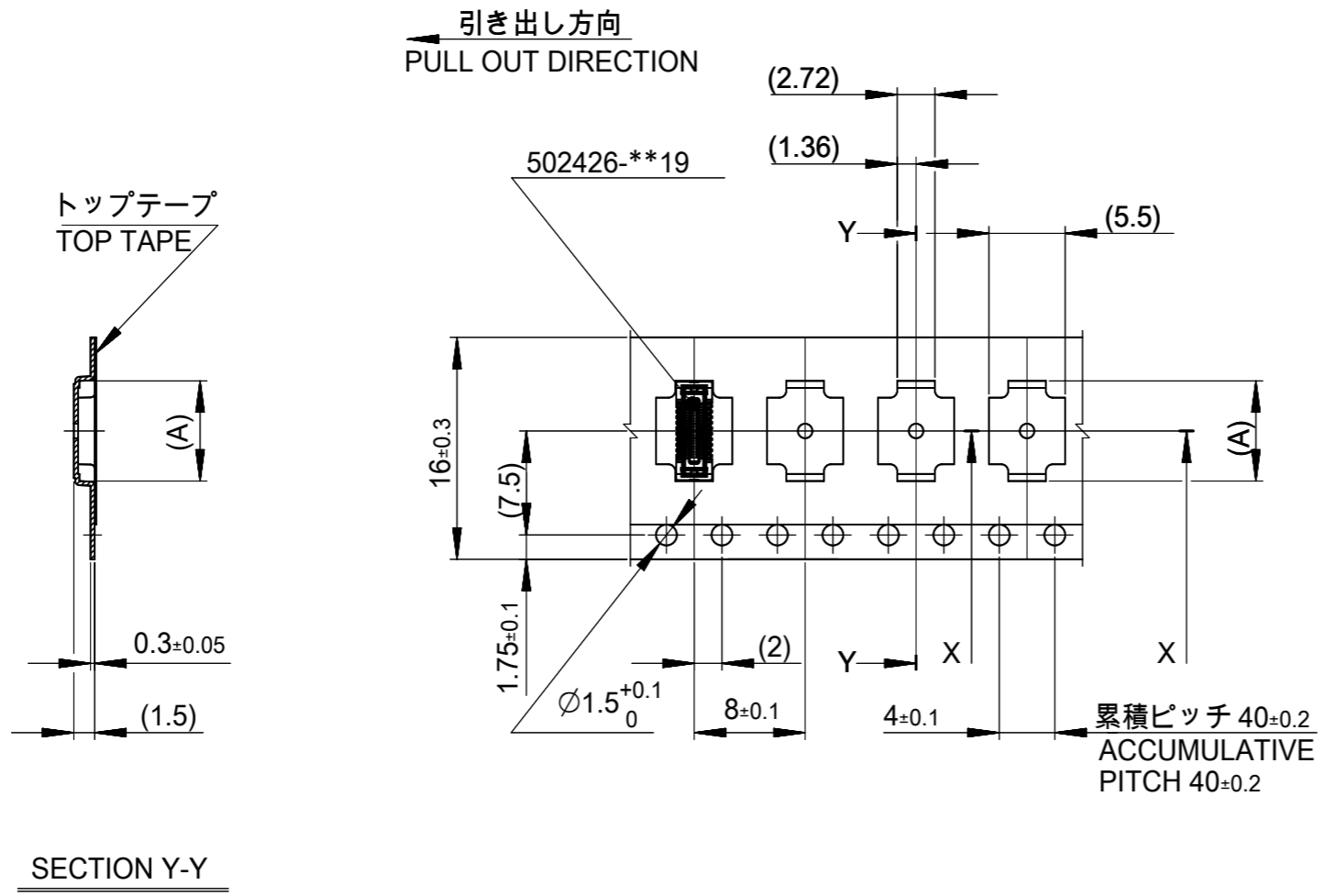
- 製品詳細寸法については製品単体図面を参照下さい。  
DETAIL DIMENSIONS, SEE PRODUCT DRAWING.
- 梱包数量 : 7000個 / リール  
NUMBER OF CONNECTORS : 7000PCS/REEL
- リードテープ長さ  
LEAD TAPE LENGTH



- 材料 MATERIAL  
 キャリアテープ(CARRIER TAPE) : ポリスチレン(POLYSTYRENE)  
 トップテープ(TOP TAPE) : PET,OTHER  
 リール(REEL):ポリスチレン(PS)<リサイクル材を含む>  
 POLYSTYRENE(PS) <RECYCLE MATERIAL CONTAINED >
- 環境負荷物質の管理のため「化学物質ガイドライン(MCSS)」の内容を満足すること。  
MUST MEET THE "MOLEX CHEMICAL SUBSTANCES SPECIFICATION (MCSS)" TO CONTROL ENVIRONMENTAL HAZARDOUS SUBSTANCES.

MODEL NO. 502426-\*\*12

THIS DRAWING CONTAINS INFORMATION THAT IS PROPRIETARY TO MOLEX ELECTRONIC TECHNOLOGIES, LLC AND SHOULD NOT BE USED WITHOUT WRITTEN PERMISSION		CURRENT REV DESC:		<b>molex</b>	
DIMENSION UNITS	SCALE				
mm	NTS			0.4 B TO B CONN. HGT=1.0 REC ASSY EMBSTP PKG	
GENERAL TOLERANCES (UNLESS SPECIFIED)		EC NO: 781651		PRODUCT CUSTOMER DRAWING	
ANGULAR TOL	± 3.0 °	DRWN: RAJAGN	2024/03/28	DOCUMENT NUMBER	
4 PLACES	± 0.03	CHK'D: HSHIMOYAMA	2024/04/01	5024260000	
3 PLACES	± 0.03	APPR: YNAITO	2024/04/02	DOC TYPE	DOC PART
2 PLACES	± 0.05	INITIAL REVISION:		PSD	000
1 PLACE	± 0.1	DRWN: YSHIBATA	2016/12/13	REVISION	
0 PLACES	± 0.2	APPR: MSASAO	2017/01/19	D	
DRAFT WHERE APPLICABLE MUST REMAIN WITHIN DIMENSIONS		THIRD ANGLE PROJECTION	DRAWING	SERIES	MATERIAL NUMBER
			A3-SIZE	502426	SEE SHEET 2-4
				CUSTOMER	SHEET NUMBER
				GENERAL	1 OF 4

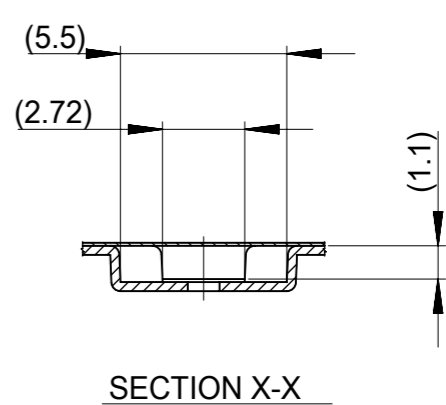
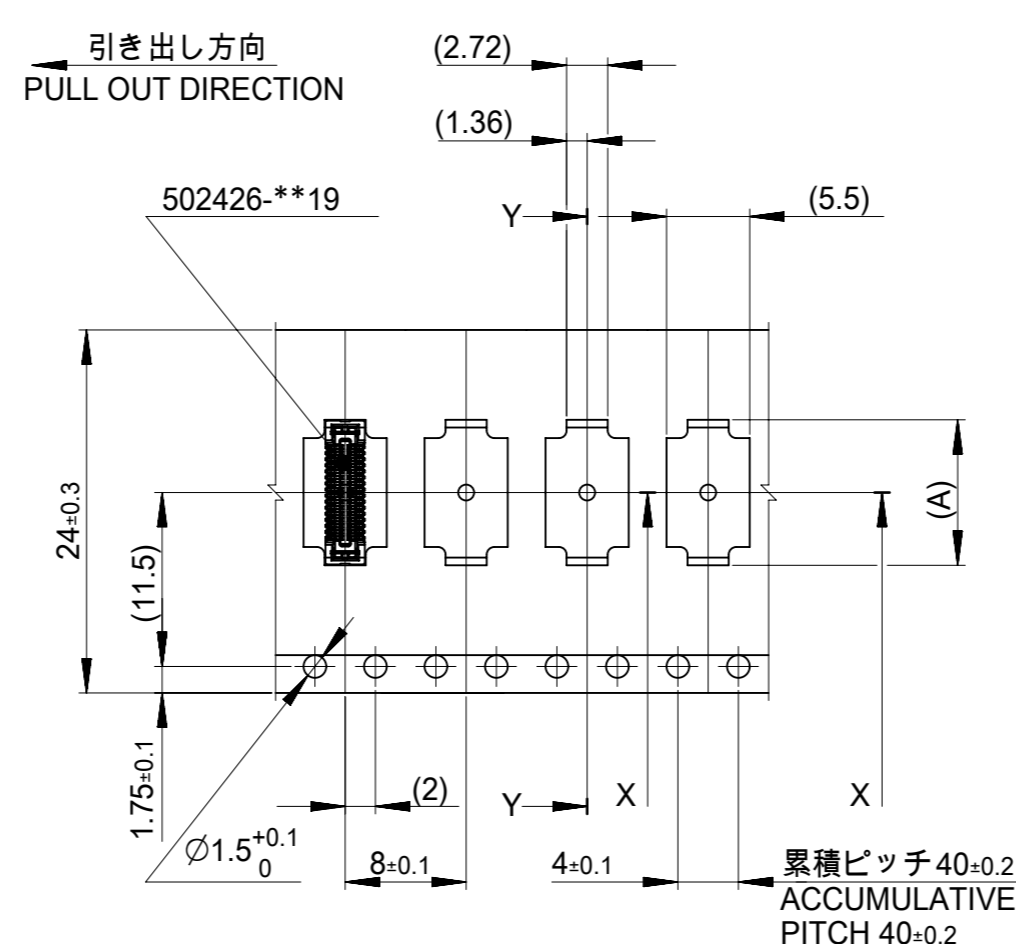
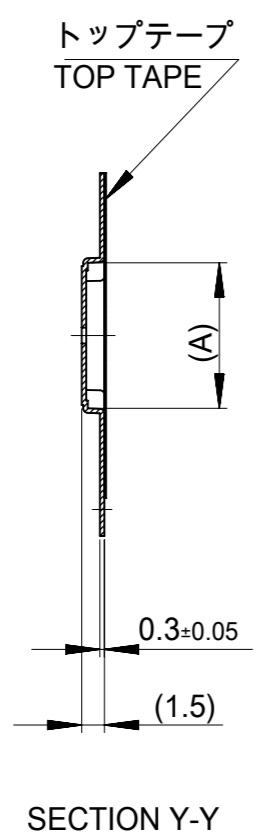


16mm 幅キャリアテープ  
16mm WIDTH CARRIER TAPE

16	21.4	17.4	8.42	502426-2612	26
			8.02	502426-2412	24
			7.62	502426-2212	22
			7.22	502426-2012	20
			6.02	502426-1412	14
			4.82	502426-0812	8
キャリアテープ幅 CARRIER TAPE WIDTH			C	B	(A)
			MATERIAL No.		CKT.
			MODEL No.		502426-**-12

THIS DRAWING CONTAINS INFORMATION THAT IS PROPRIETARY TO MOLEX ELECTRONIC TECHNOLOGIES, LLC AND SHOULD NOT BE USED WITHOUT WRITTEN PERMISSION

DIMENSION UNITS mm	SCALE NTS	CURRENT REV DESC:		<b>molex</b>		
GENERAL TOLERANCES (UNLESS SPECIFIED)		EC NO: 781651				
ANGULAR TOL	± 3.0°	DRWN: RAJAGN		2024/03/28		
4 PLACES	± 0.03	CHK'D: HSHIMUYAMA		2024/04/01		
3 PLACES	± 0.03	APPR: YNAITO		2024/04/02		
2 PLACES	± 0.05	INITIAL REVISION:		DOCUMENT NUMBER		
1 PLACE	± 0.1	DRWN: YSHIBATA		5024260000		DOC TYPE
0 PLACES	± 0.2	APPR: MSASAO		2016/12/13		DOC PART
DRAFT WHERE APPLICABLE MUST REMAIN WITHIN DIMENSIONS		THIRD ANGLE PROJECTION	DRAWING	SERIES	MATERIAL NUMBER	CUSTOMER
			A3-SIZE	502426	SEE TABLE	GENERAL
						REVISION
						000 D
						2 OF 4

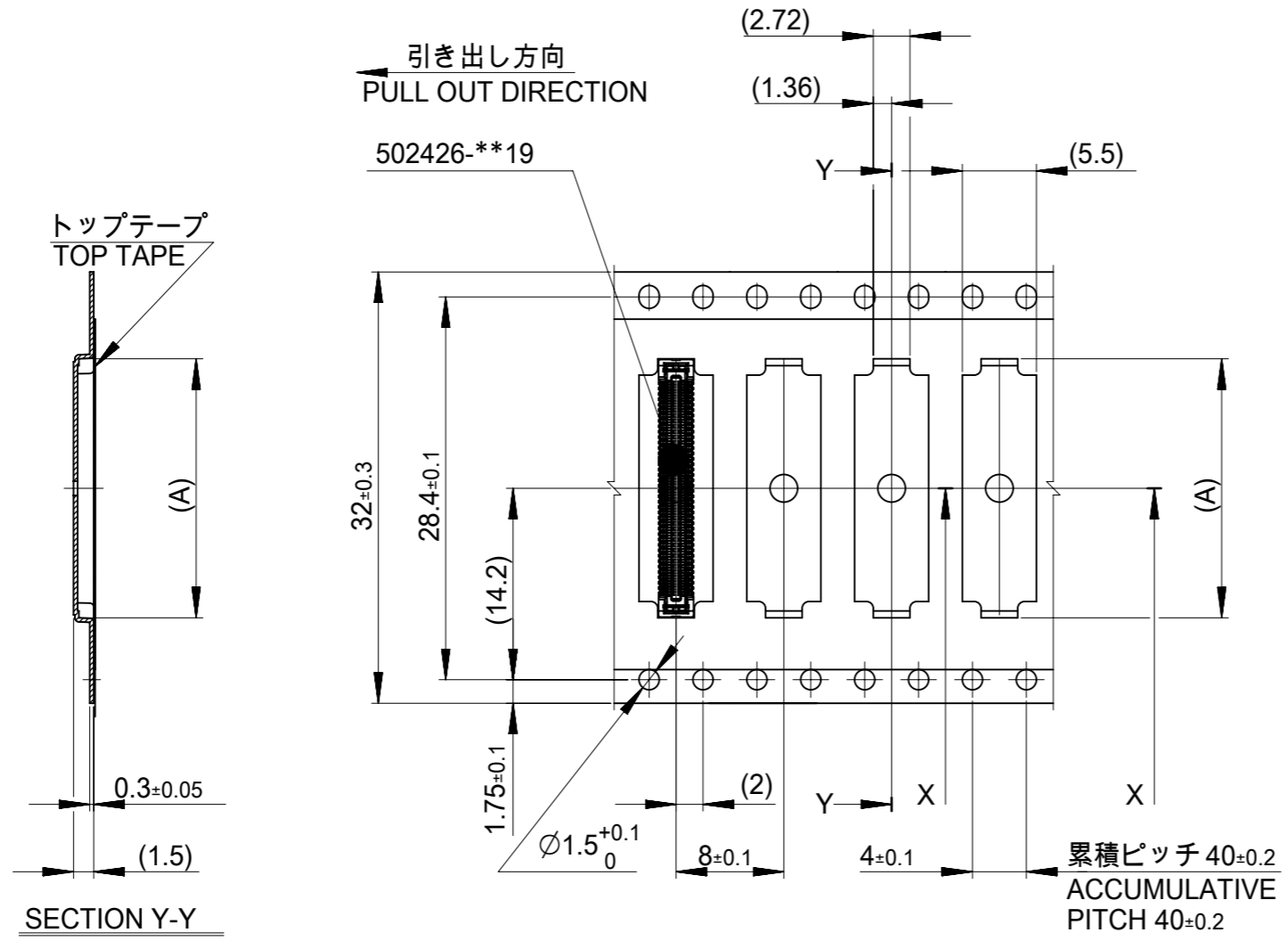


24mm 幅キャリアテープ  
24mm WIDTH CARRIER TAPE

24	29.4	25.4	16.02	502426-6412	64		
			15.22	502426-6012	60		
			13.22	502426-5012	50		
			12.02	502426-4412	44		
			11.22	502426-4012	40		
			10.02	502426-3412	34		
			9.62	502426-3212	32		
			9.22	502426-3012	30		
キャリアテープ幅 CARRIER TAPE WIDTH			C	B	(A)	MATERIAL No.	CKT.
						MODEL No.	502426-**-12

THIS DRAWING CONTAINS INFORMATION THAT IS PROPRIETARY TO MOLEX ELECTRONIC TECHNOLOGIES, LLC AND SHOULD NOT BE USED WITHOUT WRITTEN PERMISSION

DIMENSION UNITS mm	SCALE NTS	CURRENT REV DESC:		<b>molex</b>		
GENERAL TOLERANCES (UNLESS SPECIFIED)		EC NO: 781651				
ANGULAR TOL	± 3.0°	DRWN: RAJAGN		PRODUCT CUSTOMER DRAWING		
4 PLACES	± 0.03	CHK'D: HSHIMOYAMA		DOCUMENT NUMBER		
3 PLACES	± 0.03	APPR: YNAITO		5024260000		
2 PLACES	± 0.05	INITIAL REVISION:		DOC TYPE		
1 PLACE	± 0.1	DRWN: YSHIBATA		PSD		
0 PLACES	± 0.2	APPR: MSASAO		DOC PART		
DRAFT WHERE APPLICABLE MUST REMAIN WITHIN DIMENSIONS		THIRD ANGLE PROJECTION		REVISION		
		DRAWING A3-SIZE		000		
		SERIES 502426		D		
		MATERIAL NUMBER SEE TABLE		SHEET NUMBER 3 OF 4		
		CUSTOMER GENERAL				

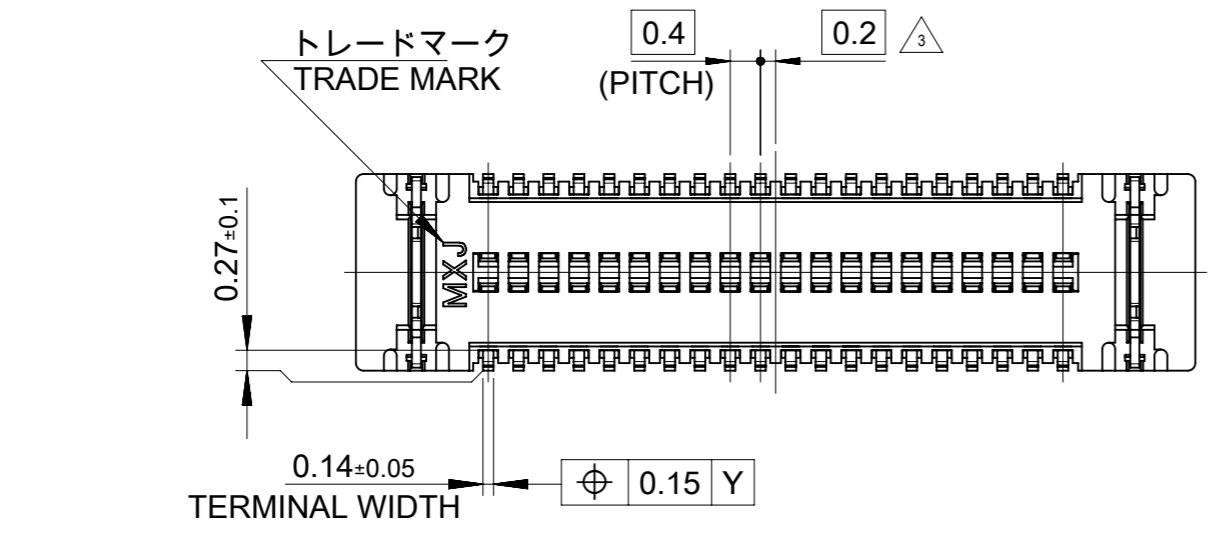
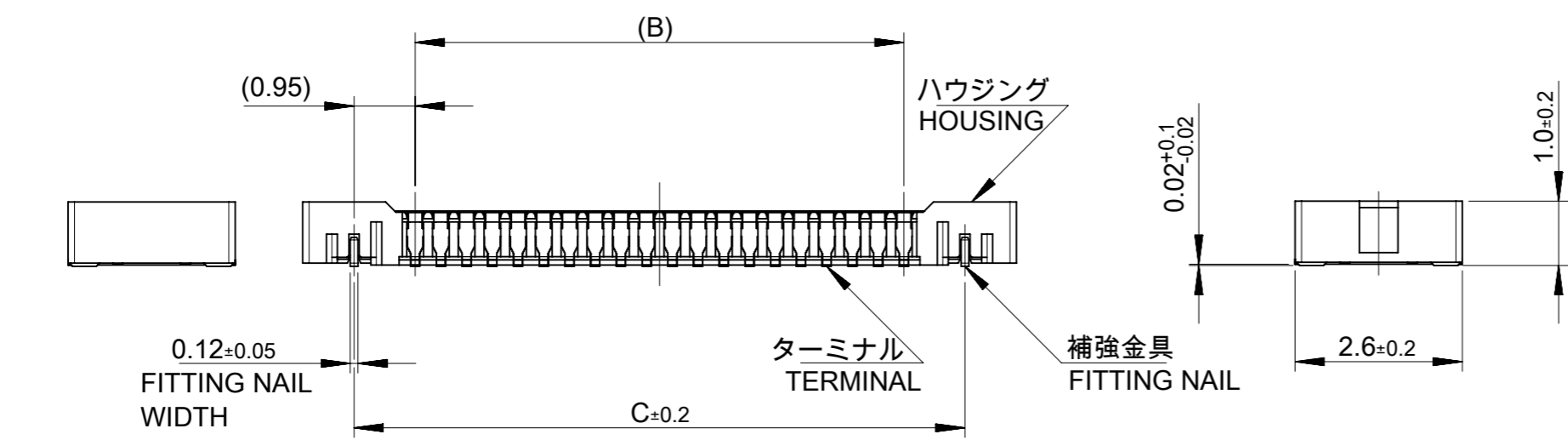
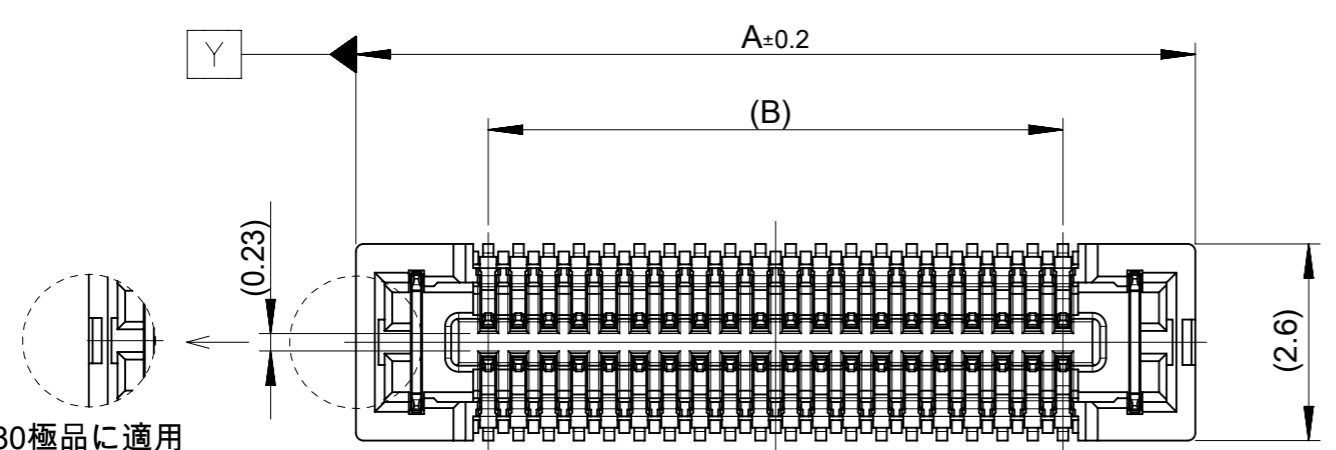


32mm 幅キャリアテープ  
32mm WIDTH CARRIER TAPE

32	37.4	33.4	21.22	502426-9012	90
			19.22	502426-8012	80
			17.22	502426-7012	70
キャリアテープ幅 CARRIER TAPE WIDTH	C	B	(A)	MATERIAL No.	CKT.
				MODEL No.	502426-**12

THIS DRAWING CONTAINS INFORMATION THAT IS PROPRIETARY TO MOLEX ELECTRONIC TECHNOLOGIES, LLC AND SHOULD NOT BE USED WITHOUT WRITTEN PERMISSION

DIMENSION UNITS	SCALE	CURRENT REV DESC:			
mm	NTS	<p><b>molex</b></p> <p>0.4 B TO B CONN. HGT=1.0 REC ASSY EMBSTP PKG</p> <p>PRODUCT CUSTOMER DRAWING</p>			
GENERAL TOLERANCES (UNLESS SPECIFIED)					
ANGULAR TOL	± 3.0 °				
4 PLACES	± 0.03				
3 PLACES	± 0.03				
2 PLACES	± 0.05				
1 PLACE	± 0.1	EC NO: 781651	2024/03/28	DOCUMENT NUMBER	DOC TYPE
0 PLACES	± 0.2	DRWN: RAJAGN	2024/04/01	5024260000	PSD
		CHK'D: HSHIMOYAMA	2024/04/02	000	D
		APPR: YNAITO			
		INITIAL REVISION:			
		DRWN: YSHIBATA	2016/12/13		
		APPR: MSASAO	2017/01/19		
DRAFT WHERE APPLICABLE MUST REMAIN WITHIN DIMENSIONS	THIRD ANGLE PROJECTION	DRAWING	SERIES	MATERIAL NUMBER	CUSTOMER
		A3-SIZE	502426	SEE TABLE	GENERAL
					SHEET NUMBER
					4 OF 4



19.5	17.6	21.1	502426-9012	90
17.5	15.6	19.1	502426-8012	80
15.5	13.6	17.1	502426-7012	70
14.3	12.4	15.9	502426-6412	64
13.5	11.6	15.1	502426-6012	60
11.5	9.6	13.1	502426-5012	50
10.3	8.4	11.9	502426-4412	44
9.5	7.6	11.1	502426-4012	40
8.3	6.4	9.9	502426-3412	34
7.9	6.0	9.5	502426-3212	32
7.5	5.6	9.1	502426-3012	30
6.7	4.8	8.3	502426-2612	26
6.3	4.4	7.9	502426-2412	24
5.9	4.0	7.5	502426-2212	22
5.5	3.6	7.1	502426-2012	20
4.3	2.4	5.9	502426-1412	14
3.1	1.2	4.7	502426-0812	8
C	B	A	EMBOSSED PACKAGE	極数
			オーダー番号 ORDER No.	CIRCUITS

FUNCTIONAL SYMBOLS FA = 0 FE = 0 FP = 0	THIS DRAWING CONTAINS INFORMATION THAT IS PROPRIETARY TO MOLEX ELECTRONIC TECHNOLOGIES, LLC AND SHOULD NOT BE USED WITHOUT WRITTEN PERMISSION	SCALE 10:1	CURRENT REV DESC:	
	GENERAL TOLERANCES (UNLESS SPECIFIED)	mm	molex	
DIVISIONAL SYMBOLS	ANGULAR TOL ± 3.0°	EC NO: 781651	0.4 B TO B CONN. HGT=1.0 W=2.6 REC ASSY	
	4 PLACES ± 0.03	DRWN: RAJAGN	PRODUCT CUSTOMER DRAWING	
	3 PLACES ± 0.03	CHK'D: HSHIMOMYAMA	2024/03/28	
	2 PLACES ± 0.05	APPR: YNAITO	2024/04/01	
	1 PLACE ± 0.1	INITIAL REVISION:	2016/12/13	
	0 PLACES ± 0.2	DRWN: YSHIBATA	2017/01/19	
	DRAFT WHERE APPLICABLE MUST REMAIN WITHIN DIMENSIONS	APPR: MSASAO	DOCUMENT NUMBER	DOC TYPE DOC PART REVISION
	THIRD ANGLE PROJECTION	DRAWING	5024261000	PSD 000 D
		SERIES	MATERIAL NUMBER	CUSTOMER
		A3-SIZE	SEE TABLE	GENERAL
		502426		SHEET NUMBER
				1 OF 2

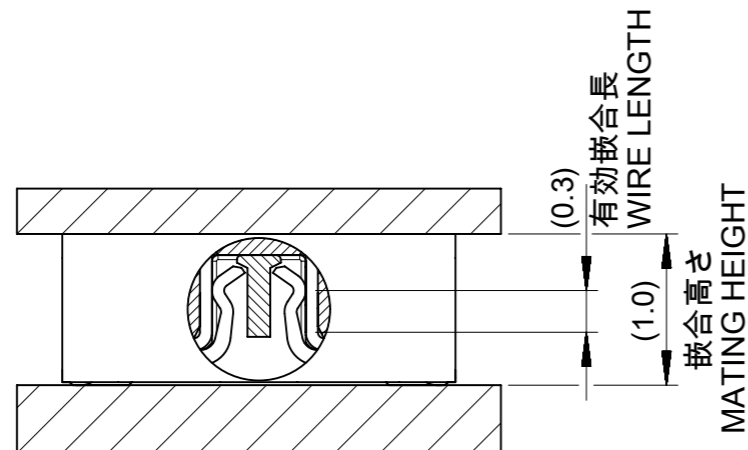
注記 NOTE

1. 使用材料 MATERIAL  
 ハウジング：液晶ポリマー ( LCP ) ガラス充填 UL94V-0 ( 黒 )  
 HOUSING: LIQUID CRYSTAL POLYMER (GLASS FILLED) UL94V-0 (COLOR: BLACK)  
 ターミナル：りん青銅 (t=0.1)  
 TERMINAL : PHOSPHOR BRONZE (t=0.1)  
 金具：りん青銅 (t=0.12)  
 FITTING NAIL : PHOSPHOR BRONZE (t=0.12)

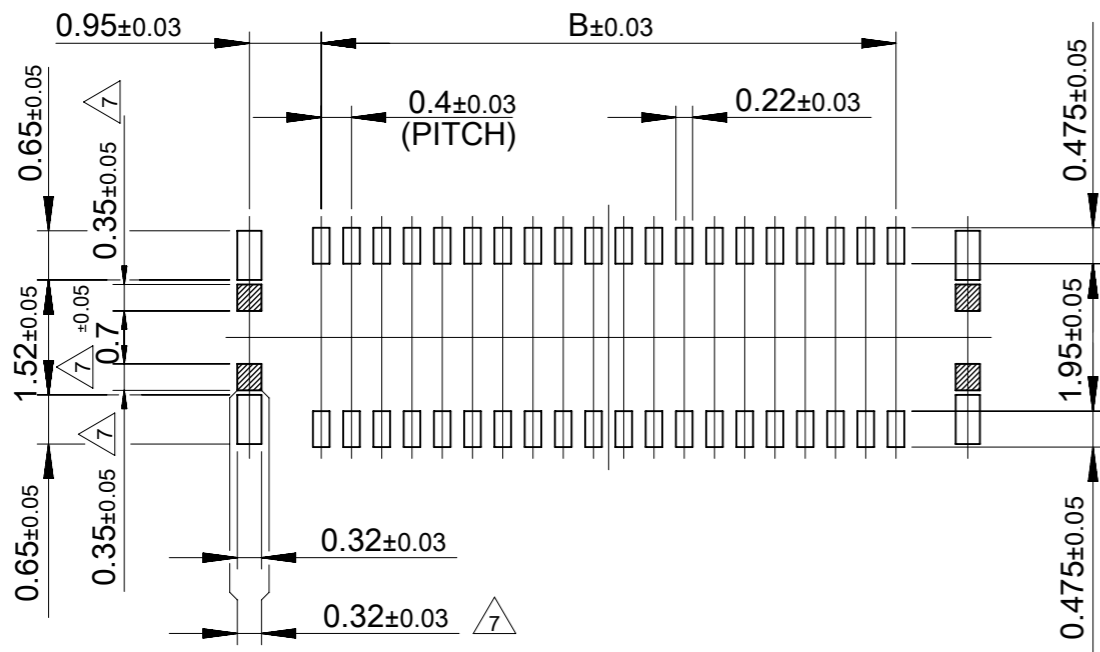
2. メッキ仕様 PLATING  
 ターミナル TERMINAL  
 コンタクト部：金メッキ0.1マイクロメートル以上  
 CONTACT AREA : GOLD 0.1 MICROMETER MINIMUM.  
 テール部：金メッキ0.05マイクロメートル以上  
 TAIL AREA : GOLD 0.05 MICROMETER MINIMUM.  
 下地メッキ：ニッケルメッキ 1.0マイクロメートル以上  
 UNDER PLATING : NICKEL 1.0MICROMETER MINIMUM  
 ※コンタクト部とテール部はニッケルメッキによって分断されている金メッキです。  
 DIVIDE INTO PARTS THE GOLD PLATING OF THE CONTACT AND THE TAIL PART BY THE NICKEL PLATING.

- 金具 FITTING NAIL  
 フラッシュ金メッキ  
 FLASH Au PLATING  
 下地メッキ：ニッケルメッキ 1.0マイクロメートル以上  
 UNDER PLATING : NICKEL 1.0MICROMETER MINIMUM

- △3 (全極数 / 2) = 偶数の場合に適用。  
 APPLY FOR (CIRCUIT/2)=EVEN.
4. 嵌合相手：502430シリーズ  
 MATE WITH : 502430 SERIES.
5. テール平坦度は、0.08以下  
 TAIL COPLANARITY TO BE 0.08MAXIMUM.  
 テール及び金具の平坦度は、0.1以下  
 TAIL AND FITTING NAIL COPLANARITY TO BE 0.1MAXIMUM.
6. 環境負荷物質の管理のため「化学物質ガイドライン(MCSS)」の内容を満足すること。  
 MUST MEET THE "MOLEX CHEMICAL SUBSTANCES SPECIFICATION(MCSS)"  
 TO CONTROL ENVIRONMENTALLY HAZARDOUS SUBSTANCES.
- △7 斜線部はパターン書込み禁止範囲と半田禁止範囲を示す。  
 ただし、斜線部に補強金具と同一配線を配置する場合はレジストを施し、この部分に半田は無きこと。  
 NO PATTERN CIRCUIT AND NO SOLDER ALLOWED IN THE SHADED AREA.  
 HOWEVER, IF NEEDED TO ADD A TRACE OF THE SAME CIRCUIT, PUT THE SOLDER-RESIST,  
 YET NO SOLDER ALLOWED IN THE AREA.



嵌合断面図 ( 参考 )  
 MATED DRAWING (REFERENCE)



P.C. BOARD PATTERN LAYOUT  
 (REFERENCE)

FUNCTIONAL SYMBOLS	THIS DRAWING CONTAINS INFORMATION THAT IS PROPRIETARY TO MOLEX ELECTRONIC TECHNOLOGIES, LLC AND SHOULD NOT BE USED WITHOUT WRITTEN PERMISSION	CURRENT REV DESC:		<b>molex</b>			
	△A = 0	mm	10:1				
△E = 0	GENERAL TOLERANCES (UNLESS SPECIFIED)	DRWN: RAJAGN		2024/03/28		PRODUCT CUSTOMER DRAWING	
△F = 0	ANGULAR TOL ± 3.0°	CHK'D: HSHIMOYAMA		2024/04/01		DOCUMENT NUMBER	
DIVISIONAL SYMBOLS	4 PLACES ± 0.03	APPR: YNAITO		2024/04/02		5024261000	
	3 PLACES ± 0.03	INITIAL REVISION:		2016/12/13		DOC TYPE	
	2 PLACES ± 0.05	DRWN: YSHIBATA		2017/01/19		PSD	
	1 PLACE ± 0.1	APPR: MSASAO				DOC PART	
	0 PLACES ± 0.2	DRAFT WHERE APPLICABLE MUST REMAIN WITHIN DIMENSIONS		THIRD ANGLE PROJECTION		000	
		DRAWING		SERIES		REVISION	
		A3-SIZE		502426		D	
		MATERIAL NUMBER		CUSTOMER		SHEET NUMBER	
		SEE SHEET 1		GENERAL		2 OF 2	