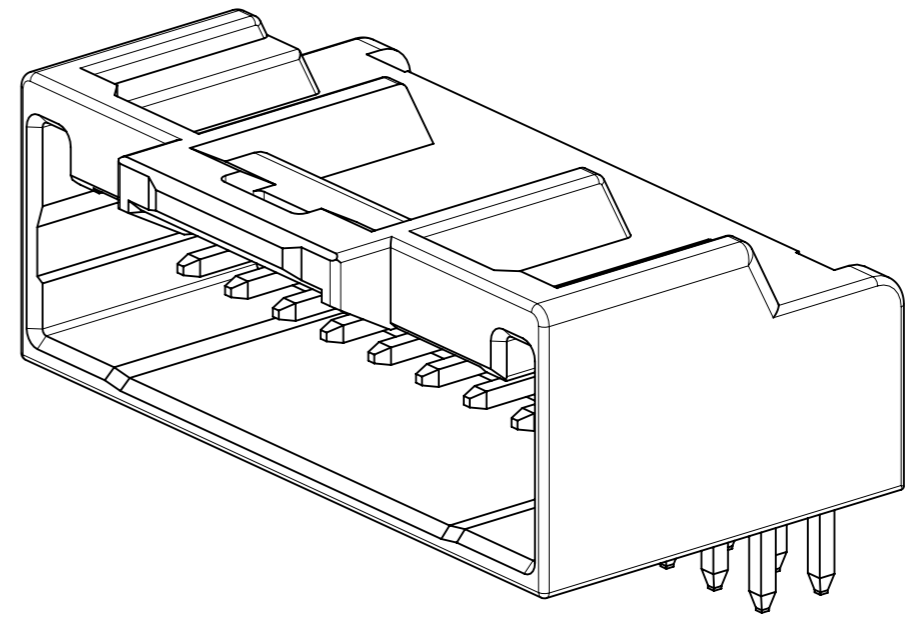
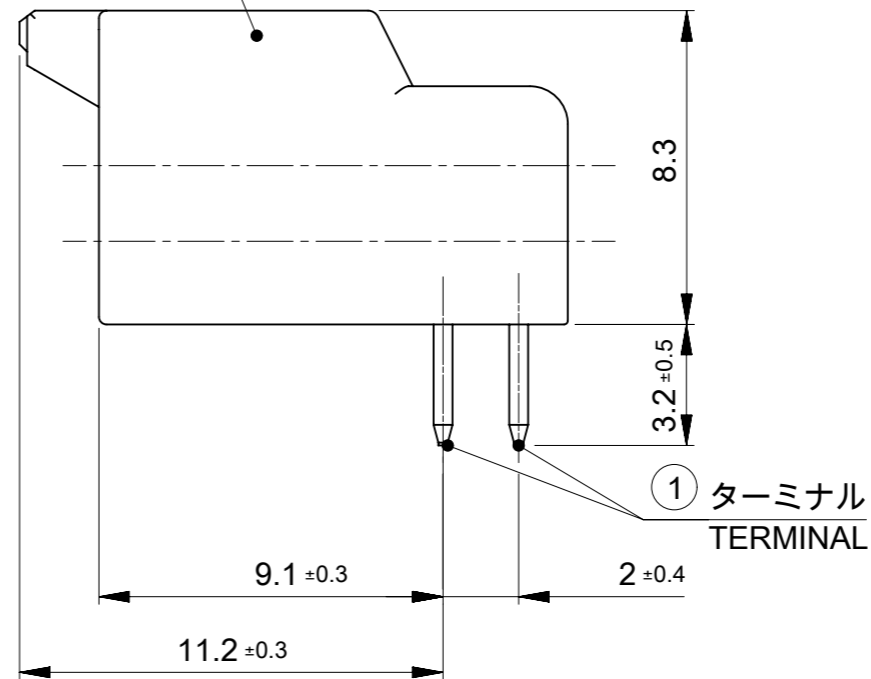


キャビティ番号
CAVITY No.

トレードマーク
TRADE MARK



②ハウジング
HOUSING



①ターミナル
TERMINAL

9.2	38	42	40
9.2	36	40	38
9.2	34	38	36
9.2	32	36	34
9.2	30	34	32
9.2	28	32	30
9.2	26	30	28
9.2	24	28	26
9.2	22	26	24
9.2	20	24	22
9.2	18	22	20
9.2	16	20	18
9.2	14	18	16
9.2	12	16	14
9.2	10	14	12
7.3	8	12	10
C	B	A	極数 CIRCUIT SIZE

① TABLE 1

番号 No.	部品 PART	材質 MATERIAL	
①	ターミナル TERMINAL	黄銅, BRASS	
		下地めっき UNDER PLATING	ニッケルめっき 1 micro-meter MIN NICKEL PLATING 1 micro-meter MIN
		コンタクト CONTACT	無光沢錫めっき 1 micro-meter MIN MATTE TIN PLATING 1 micro-meter MIN
		テール SOLDER TAIL	
②	ハウジング HOUSING	ポリアミド(PA)ガラス入り, UL94V-0, 色 : SEE CHART POLYAMIDE(PA) GLASS FILLED, UL94V-0, COLOR : SEE CHART	

THIS DRAWING CONTAINS INFORMATION THAT IS PROPRIETARY TO MOLEX ELECTRONIC TECHNOLOGIES, LLC AND SHOULD NOT BE USED WITHOUT WRITTEN PERMISSION

DIMENSION UNITS mm	SCALE NTS	CURRENT REV DESC: REMOVED OBSOLETE PART NUMBERS AS PER PCN#513389
GENERAL TOLERANCES (UNLESS SPECIFIED)		
ANGULAR TOL	± 3.0 °	
4 PLACES	± 0.2	EC NO: 781755
3 PLACES	± 0.2	DRWN: MADHAM5 2024/03/18
2 PLACES	± 0.2	CHK'D: GGA 2024/04/10
1 PLACE	± 0.2	APPR: GGA 2024/04/10
0 PLACES	± 0.2	INITIAL REVISION:
DRAFT WHERE APPLICABLE MUST REMAIN WITHIN DIMENSIONS		DRWN: SNAMURA08 2019/05/14
THIRD ANGLE PROJECTION		APPR: KOMURAKAMI 2019/05/24
DRAWING A3-SIZE	SERIES 501876	DOCUMENT NUMBER 5018760000-SD
MATERIAL NUMBER SEE SHEET 3	CUSTOMER GENERAL	DOC TYPE PSD
SHEET NUMBER 1 OF 3		DOC PART 000
		REVISION D1

NOTES.

1. 材料及び仕上げ(めっき仕様) : TABLE 1 参照
MATERIAL AND FINISHES : SEE TABLE 1
2. 製品仕様書 : PS-501646-001
PRODUCT SPECIFICATION:PS-501646-001
3. 嵌合相手:
MATES WITH:

リセプタクルハウジング RECEPTACLE HOUSING	501646 SERIES	
圧着端子 RECEPTACLE CRIMP TERMINAL	AWG #22-26 錫めっき AWG #22-26 TIN PLATING	501647 SERIES
	AWG #26-28 錫めっき AWG #26-28 TIN PLATING	501648 SERIES

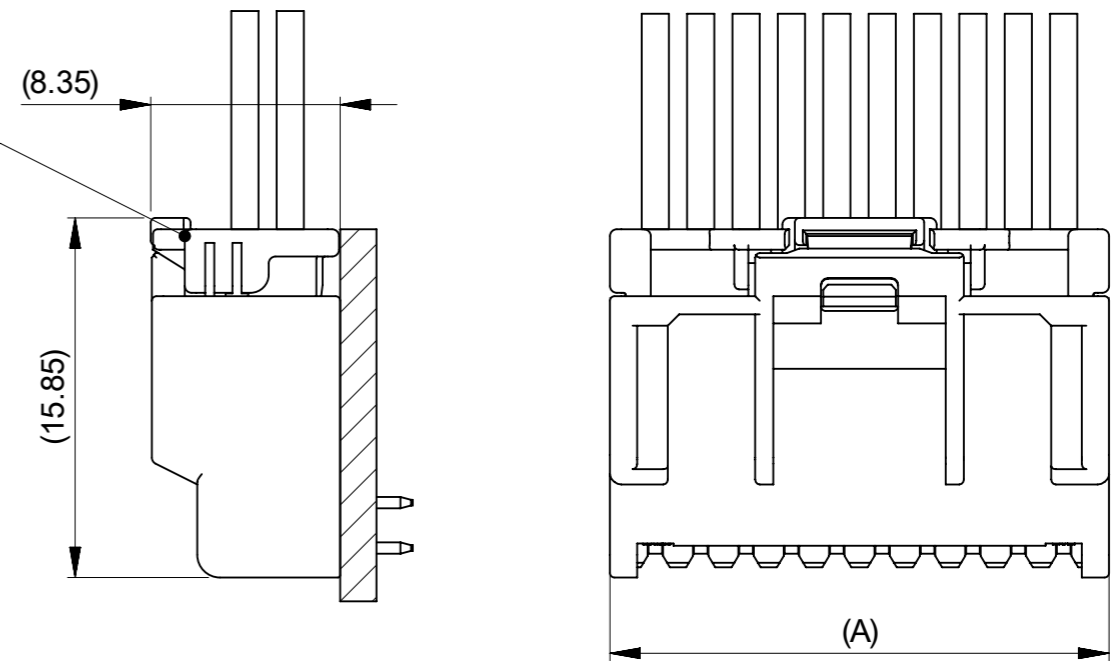
4. アプリケーション仕様書(コネクタ取扱い説明書) : 5016460000-PS A01
APPLICATION SPECIFICATION(CONNECTOR MANNUAL): 5016460000-PS A00
5. 本製品は錫めっき品です。
THIS PRODUCT IS A TIN PLATING.
6. 極数/2 = 偶数に適応
APPLY FOR CIRCUIT SIZE / 2 =EVEN
7. ターミナルに錫めっきを使用している為、外観に摺動痕が付く場合があります。
THE WOUND OF FRICTION MIGHT ADHERE TO EXTERNALS
BECAUSE THE TIN PLATING IS USED IN TERMINAL.
8. 梱包仕様書: SPK-501876-001
PACKING INFORMATION : SPK-501876-001
9. 発注番号 : SHEET 3 参照
ORDER No. : PLEASE REFER TO SHEET 3 FOR PRODUCT LIST

501876 **4*

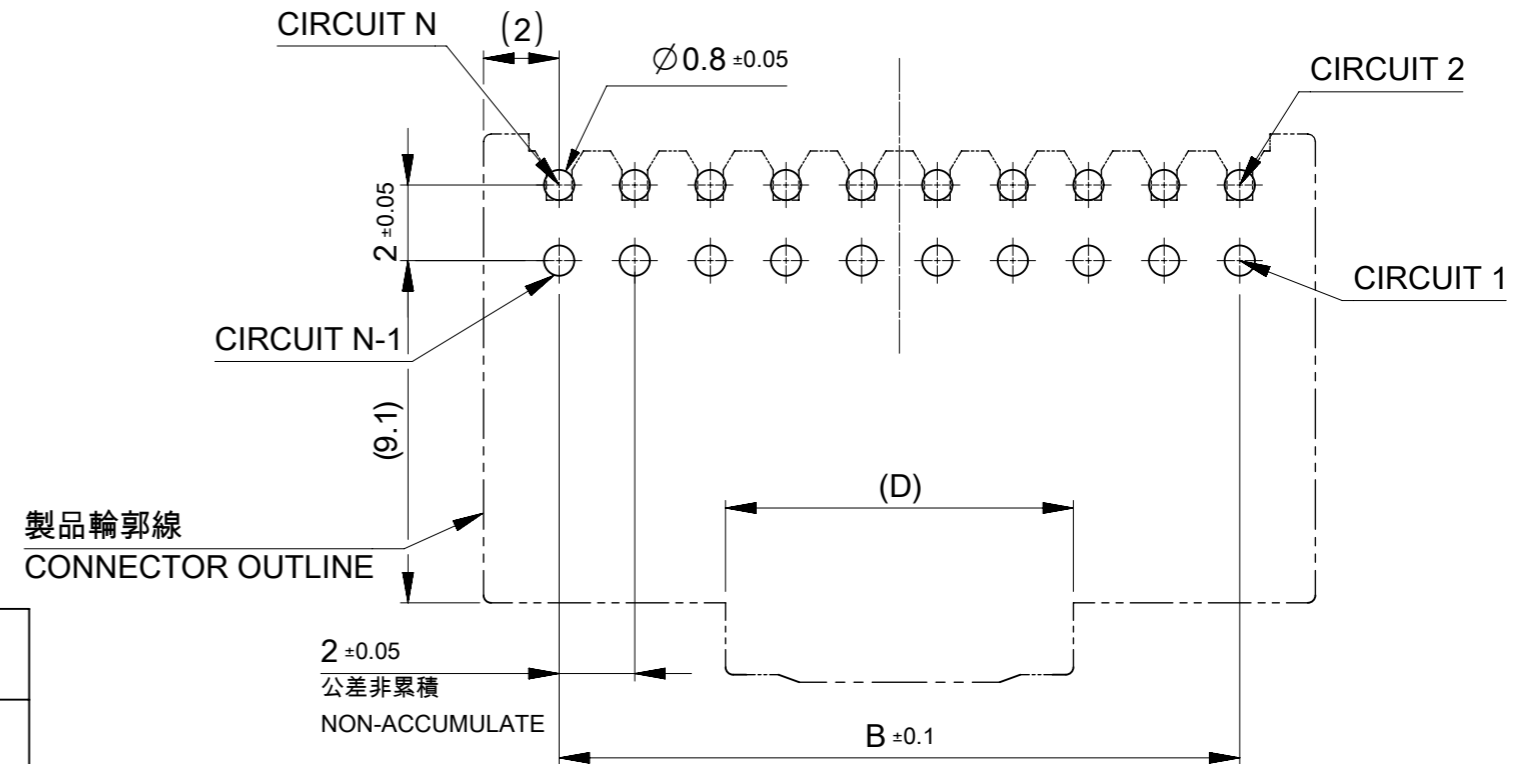
極数
CIRCUIT SIZE

ハウジングカラー HOUSING COLOR
0:ナチュラル NATURAL (白 WHITE)
1:黒 BLACK
2:赤 RED
4:青 BLUE

嵌合相手 501646 SERIES
MATE WITH : 501646 SERIES



嵌合図
MATED CONNECTORS



製品輪郭線
CONNECTOR OUTLINE

基板取付穴推奨寸法(マウント面)
RECOMMENDED PCB HOLE DIMENSION (MOUNTING SIDE)
参考基板厚 t=1.2~1.6
REFERANCE PCB THICKNESS t=1.2~1.6

THIS DRAWING CONTAINS INFORMATION THAT IS PROPRIETARY TO MOLEX ELECTRONIC TECHNOLOGIES, LLC AND SHOULD NOT BE USED WITHOUT WRITTEN PERMISSION									
DIMENSION UNITS	SCALE	CURRENT REV DESC: REMOVED OBSOLETE PART NUMBERS AS PER PCN#513389							
mm	NTS								
GENERAL TOLERANCES (UNLESS SPECIFIED)									
ANGULAR TOL	± 3.0 °	IGRID 2.0 PLUG ASSEMBLY RIGHT ANGLE TIN PLATING							
4 PLACES	± 0.2	PRODUCT CUSTOMER DRAWING							
3 PLACES	± 0.2	DOCUMENT NUMBER							
2 PLACES	± 0.2	5018760000-SD							
1 PLACE	± 0.2	DOC TYPE							
0 PLACES	± 0.2	PSD							
DRAFT WHERE APPLICABLE MUST REMAIN WITHIN DIMENSIONS		THIRD ANGLE PROJECTION		DRAWING	SERIES	MATERIAL NUMBER	CUSTOMER	SHEET NUMBER	
				A3-SIZE	501876	SEE SHEET 3	GENERAL	2 OF 3	

製品形状
PRODUCT SHAPE

10, 12 極
10, 12 CIRCUIT



14 - 40 極
14 - 40 CIRCUIT



△ 製品一覧 PRODUCT LIST

青: BLUE	赤: RED	黒: BLACK	ナチュラル: NATURAL (白: WHITE)	HOUSING COLOR
501876 4044	501876 4042	501876 4041	501876 4040	40
↑ 3844	↑ 3842	↑ 3841	↑ 3840	38
3644	3642	3641	3640	36
3444	3442	3441	3440	34
3244	3242	3241	3240	32
3044	3042	3041	3040	30
2844	2842	2841	2840	28
2644	2642	2641	2640	26
2444	2442	2441	2440	24
2244	2242	2241	2240	22
2044	2042	2041	2040	20
1844	1842	1841	1840	18
1644	1642	1641	1640	16
1444	1442	1441	1440	14
↓ 1244	↓ 1242	↓ 1241	↓ 1240	12
501876 1044	501876 1042	501876 1041	501876 1040	10

発注番号 ORDER No.

極数

PACKAGING STYLE : TRAY

CIRCUIT SIZE

THIS DRAWING CONTAINS INFORMATION THAT IS PROPRIETARY TO MOLEX ELECTRONIC TECHNOLOGIES, LLC AND SHOULD NOT BE USED WITHOUT WRITTEN PERMISSION

DIMENSION UNITS mm	SCALE NTS	CURRENT REV DESC: REMOVED OBSOLETE PART NUMBERS AS PER PCN#513389	molex		
GENERAL TOLERANCES (UNLESS SPECIFIED)		EC NO: 781755			
ANGULAR TOL ± 3.0 °	4 PLACES ± 0.2	DRWN: MADHAM5 2024/03/18	PRODUCT CUSTOMER DRAWING		
3 PLACES ± 0.2	CHK'D: GGA	APPR: GGA 2024/04/10	DOCUMENT NUMBER		
2 PLACES ± 0.2	INITIAL REVISION:	DRWN: SNAKAMURA08 2019/05/14	5018760000-SD		DOC TYPE
1 PLACE ± 0.2	DRWN: SNAKAMURA08	APPR: KOMURAKAMI 2019/05/24	000	D1	DOC PART
0 PLACES ± 0.2	THIRD ANGLE PROJECTION	DRAWING	GENERAL	3 OF 3	REVISION
DRAFT WHERE APPLICABLE MUST REMAIN WITHIN DIMENSIONS	THIRD ANGLE PROJECTION	SERIES	SEE CHART	3 OF 3	
		A3-SIZE	501876		