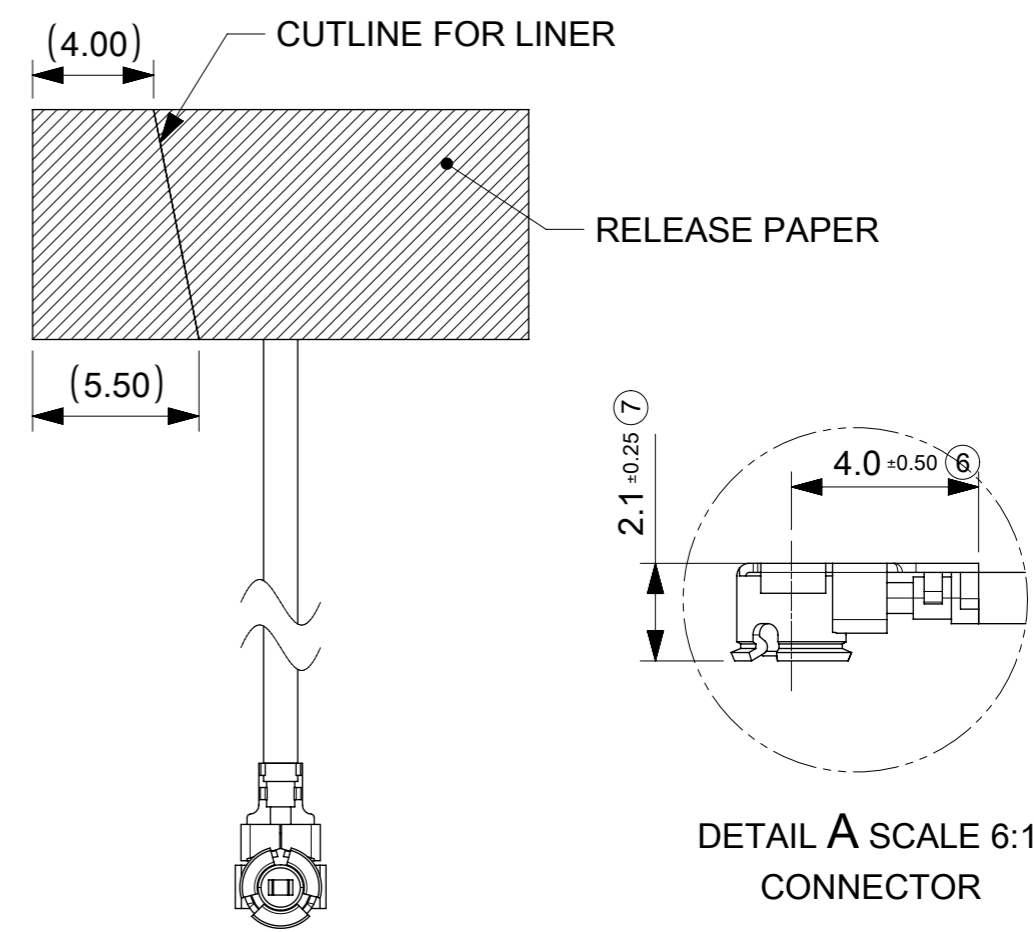
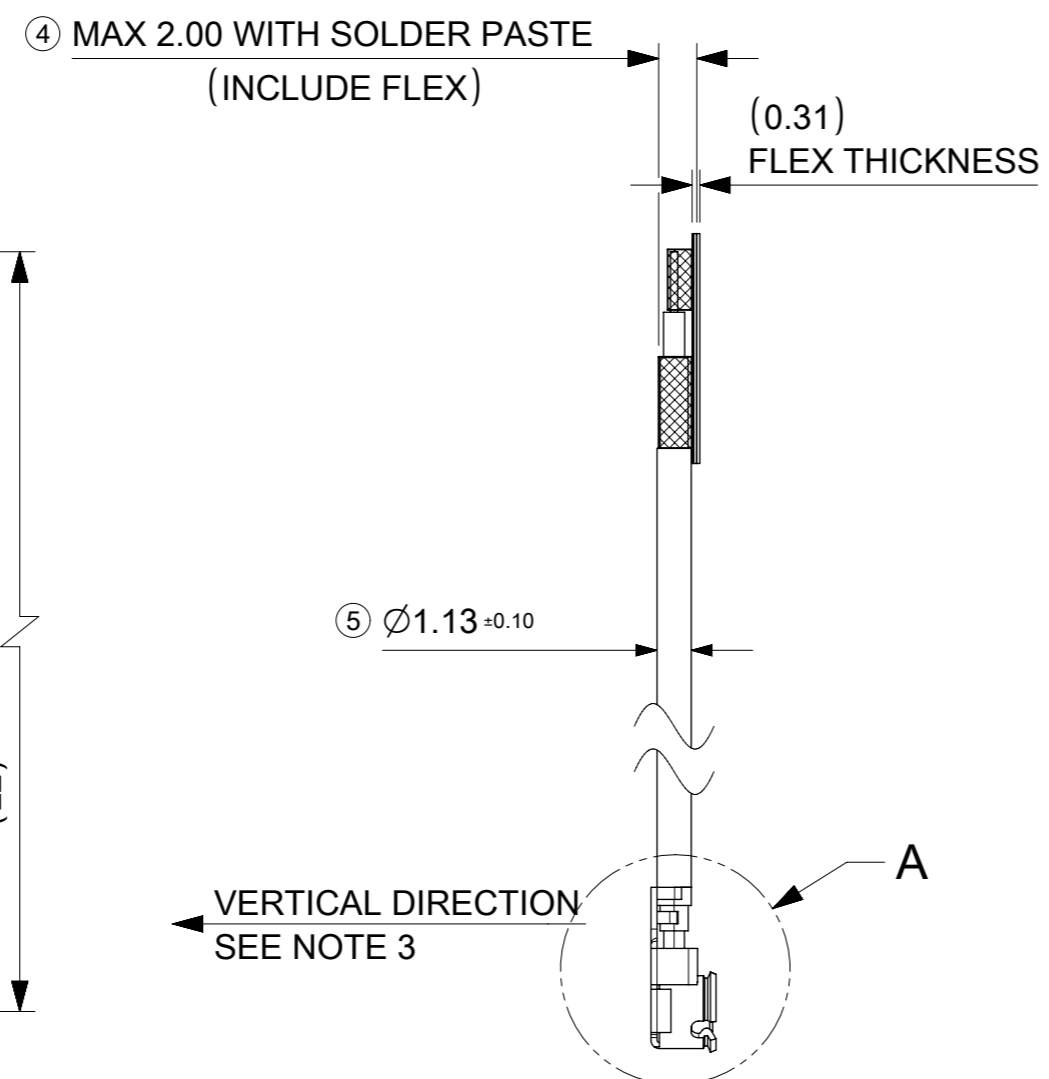
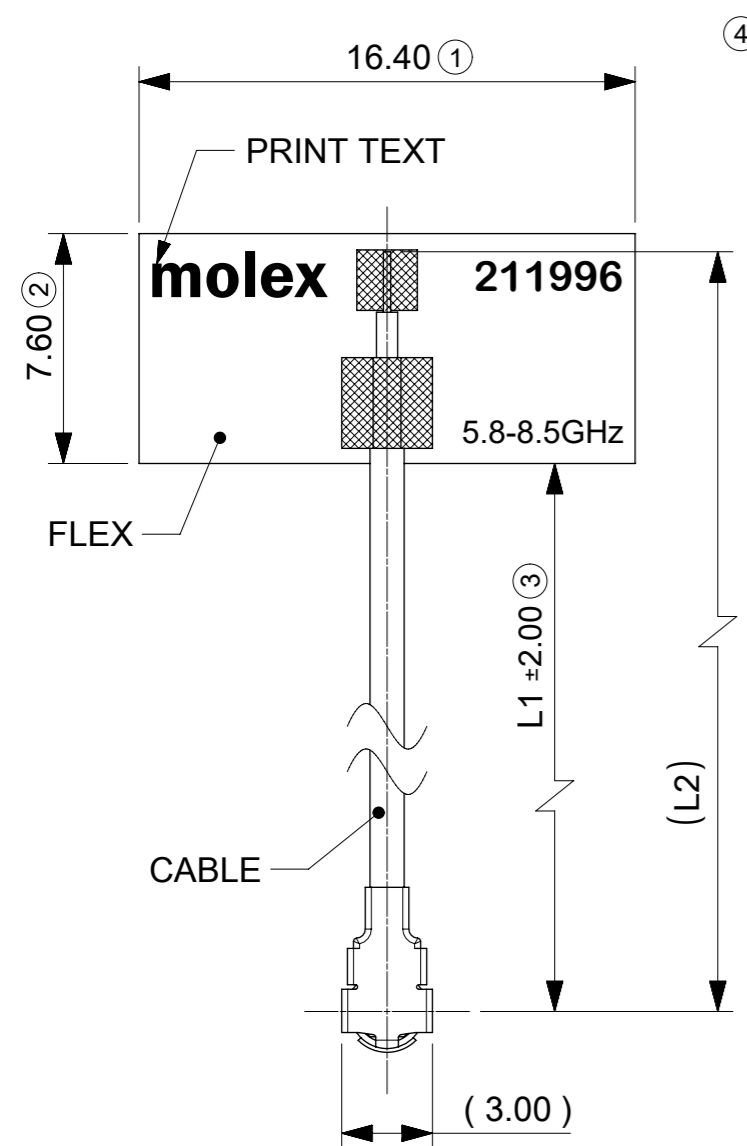


REV	DATE	CHANGE DESCRIPTION
A	2022/05/12	NEW RELEASE
A1	2023/11/09	OBSOLETE PART NUMBERS



- NOTES:
- MATERIAL:
 FLEX SOLDER MASK BLACK IN COLOR.
 PRINT TEXT WHITE IN COLOR.
 CABLE: Ø1.13MM, BLACK IN COLOR.
 CONNECTOR: MHF-1 PLUG AU TYPE (P/N: 20278-112R-13).
 ADHESIVE: TESA-61210 THICKNESS: 100UM.
 - THE CONNECTOR WILL BE PROTECTED WITH A CAP.
 - FOR PULL TEST, CAN NOT LIFT UP IN THE VERTICAL DIRECTION.
 - APPLICATION SPEC PLEASE REFER TO AS OF AS-2119960100.
 - PRODUCT SPEC PLEASE REFER TO PS OF PS-2119969100.

ITEM	MATERIAL NO.	"L1"-LENGTH	"L2"-LENGTH
1	2119969050	43 mm	50 mm
2	2119969100	93 mm	100 mm
3	2119969150	143 mm	150 mm
4	2119969200	193 mm	200 mm

THIS DRAWING CONTAINS INFORMATION THAT IS PROPRIETARY TO MOLEX ELECTRONIC TECHNOLOGIES, LLC AND SHOULD NOT BE USED WITHOUT WRITTEN PERMISSION

DIMENSION UNITS mm	SCALE 2:1	CURRENT REV DESC: REMOVED OBSOLETE PART NUMBERS AS PER PCN#514494	molex		
GENERAL TOLERANCES (UNLESS SPECIFIED)					
ANGULAR TOL ± 2.0°			PRODUCT CUSTOMER DRAWING		
4 PLACES ±		EC NO: 770993	DOCUMENT NUMBER 2119969100		
3 PLACES ± 0.2		DRWN: VISHAH2 2023/11/09			
2 PLACES ± 0.25		CHK'D: GGA 2023/12/25	DOC TYPE PSD	DOC PART 000	REVISION A1
1 PLACE ± 0.3		APPR: GGA 2023/12/25	SHEET NUMBER 1 OF 1		
0 PLACES ± 0.5		INITIAL REVISION: DRWN: KCHENG06 2022/05/12 APPR: HORACM1 2022/05/13	MATERIAL NUMBER SEE TABLE		
DRAFT WHERE APPLICABLE MUST REMAIN WITHIN DIMENSIONS	THIRD ANGLE PROJECTION	DRAWING A3-SIZE	SERIES 211996	CUSTOMER GENERAL MARKET	