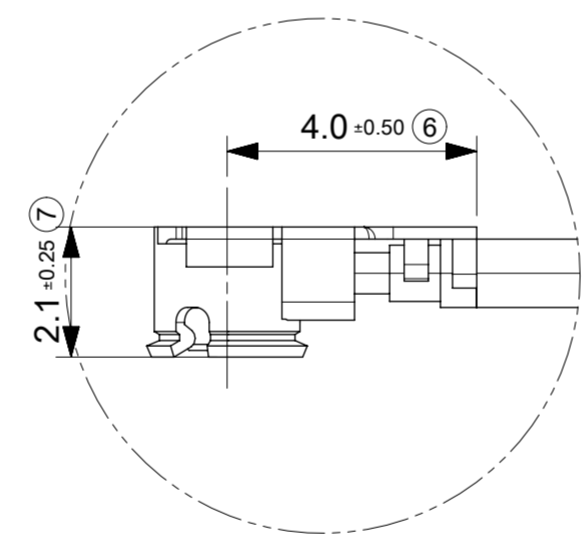
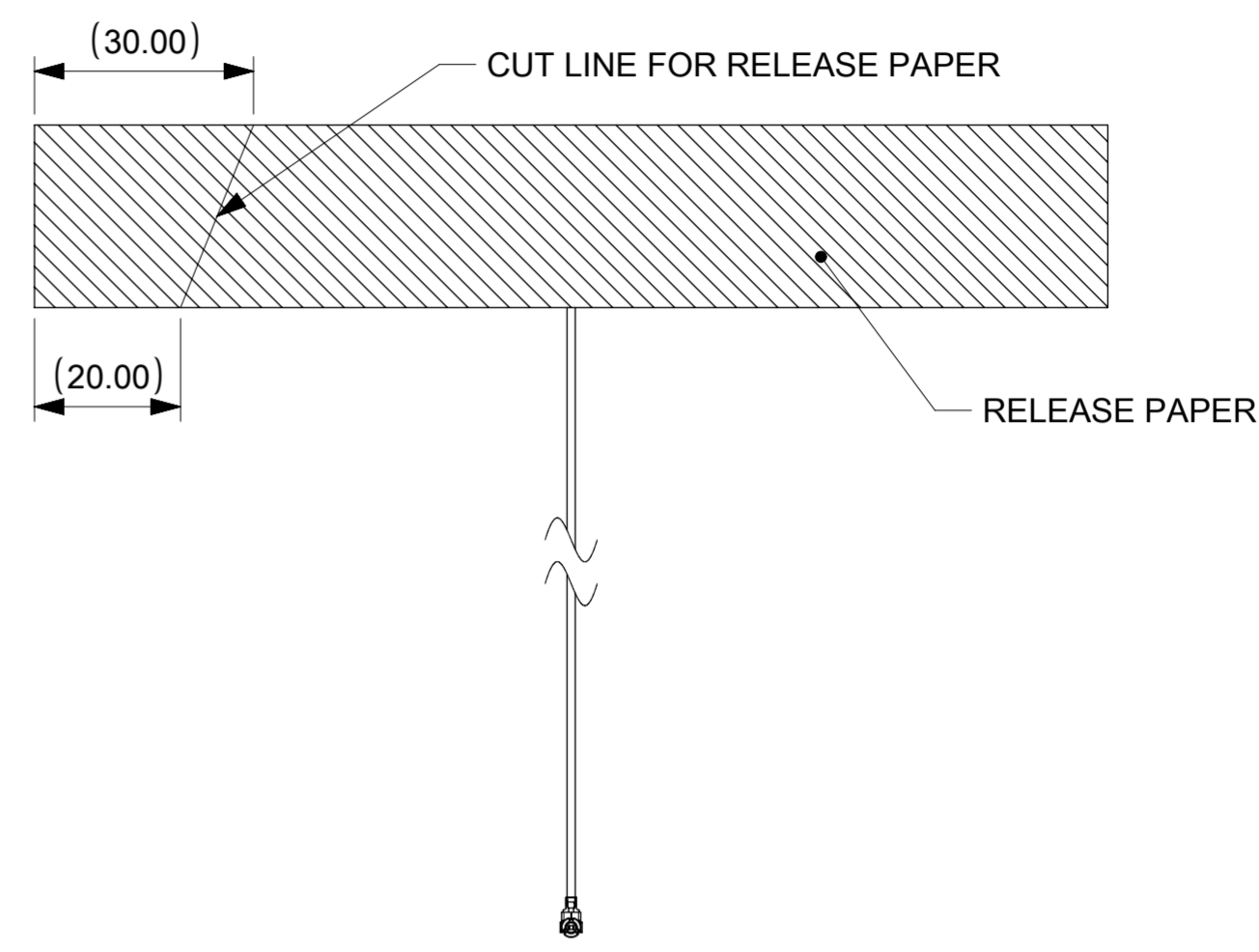
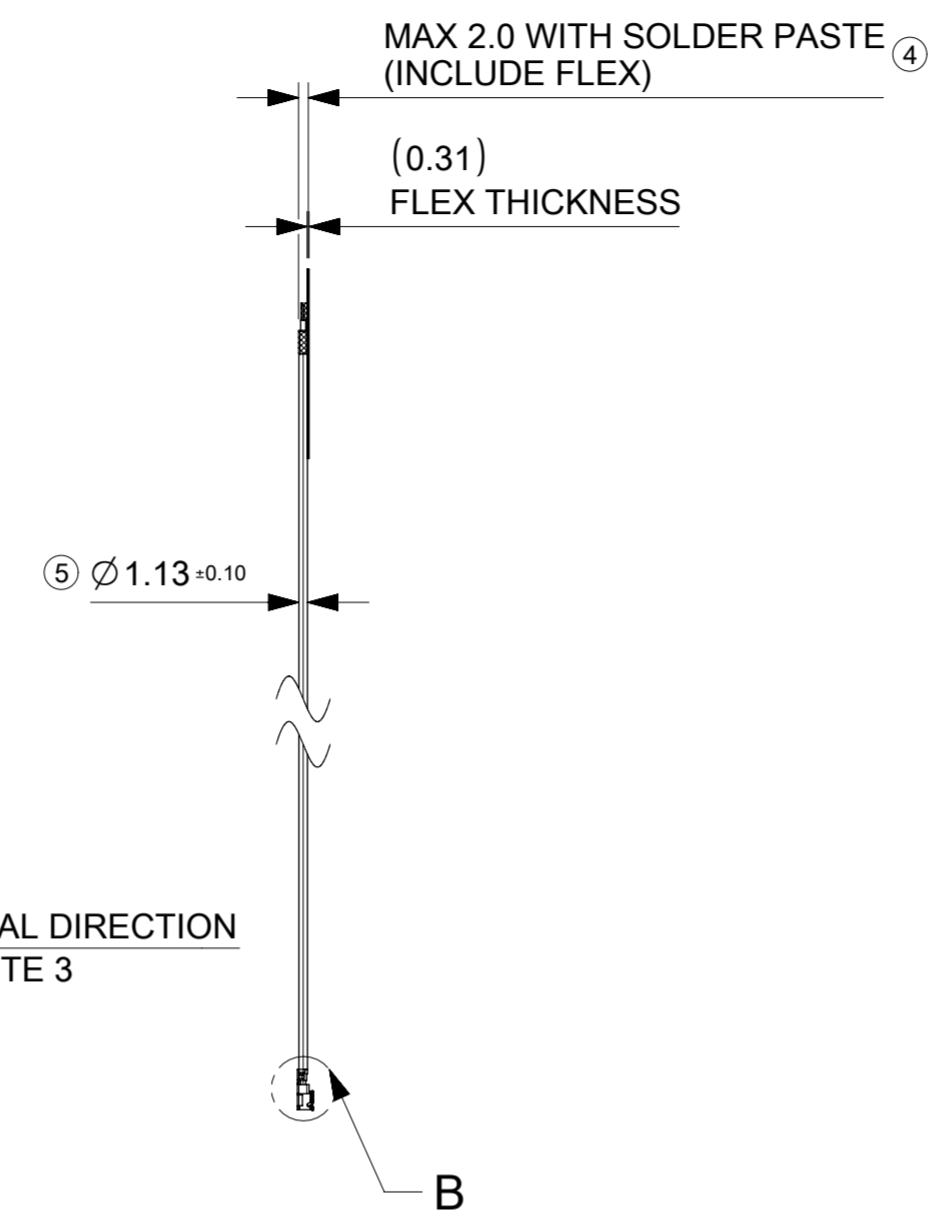
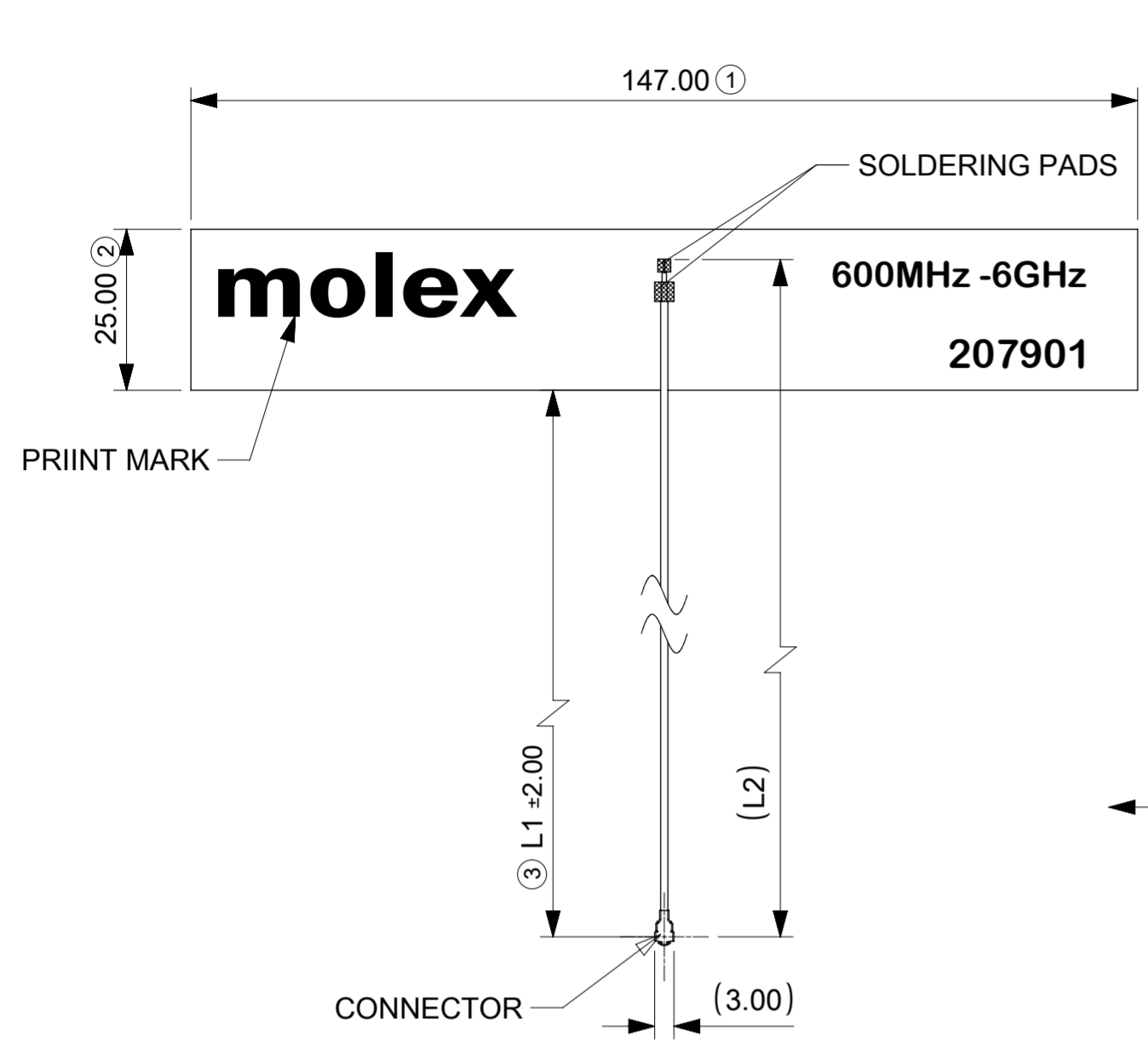


REV	DATE	DESCRIPTION
A	2022/05/01	NEW RELEASE
A1	2023/11/24	OBSOLETE P/N's 2079019150 2079019250



DETAIL B  
 SCALE 8:1

- NOTES:  
 1. MATERIAL  
 FLEX SOLDER MASK BLACK IN COLOR.  
 PRINT TEXT WHITE IN COLOR.  
 CABLE: Ø1.13MM, BLACK IN COLOR.  
 CONNECTOR: MHF-1 PLUG AU TYPE (P/N: 20278-112R-13).  
 ADHESIVE: TESA 68537. THICKNESS: 100UM.  
 2. FOR PULL TEST, CAN NOT LIFT UP IN THE VERTICAL DIRECTION.  
 3. THE CONNECTOR WILL BE PROTECTED WITH A CAP  
 4. APPLICATION SPEC PLEASE REFER TO AS OF AS-2079010100.  
 5. PRODUCT SPEC PLEASE REFER TO PS OF PS-2079019100.

ITEM	MATERIAL NO.	CABLE LENGTH "L1"	CABLE LENGTH "L2"
1	2079019050	29.70mm	50mm
2	2079019100	79.70mm	100mm
3	2079019200	179.70mm	200mm
4	2079019300	279.70mm	300mm

THIS DRAWING CONTAINS INFORMATION THAT IS PROPRIETARY TO MOLEX ELECTRONIC TECHNOLOGIES, LLC AND SHOULD NOT BE USED WITHOUT WRITTEN PERMISSION

DIMENSION UNITS <b>mm</b>	SCALE <b>1:1</b>	CURRENT REV DESC: REMOVED OBSOLETE PART NUMBERS AS PER PCN#514494	<b>molex</b>				
GENERAL TOLERANCES (UNLESS SPECIFIED)							600MHZ-6GHZ MONOPLOE AUTOMOTIVE FLEX ANT
ANGULAR TOL ± 2.0°	4 PLACES ±	EC NO: 770993	PRODUCT CUSTOMER DRAWING				
3 PLACES ± 0.2	2 PLACES ± 0.25	DRWN: MADHAM5 2023/11/24 CHK'D: GGA 2023/12/25 APPR: GGA 2023/12/25	DOCUMENT NUMBER				
1 PLACE ± 0.3	0 PLACES ± 0.5	INITIAL REVISION: DRWN: KCHENG06 2022/05/11 APPR: HORACM1 2022/05/13	2079019100		DOC TYPE PSD	DOC PART 000	REVISION A1
DRAFT WHERE APPLICABLE MUST REMAIN WITHIN DIMENSIONS	THIRD ANGLE PROJECTION	DRAWING A2-SIZE	SERIES 207901	MATERIAL NUMBER SEE TABLE	CUSTOMER GENERAL MARKET	SHEET NUMBER 1 OF 1	