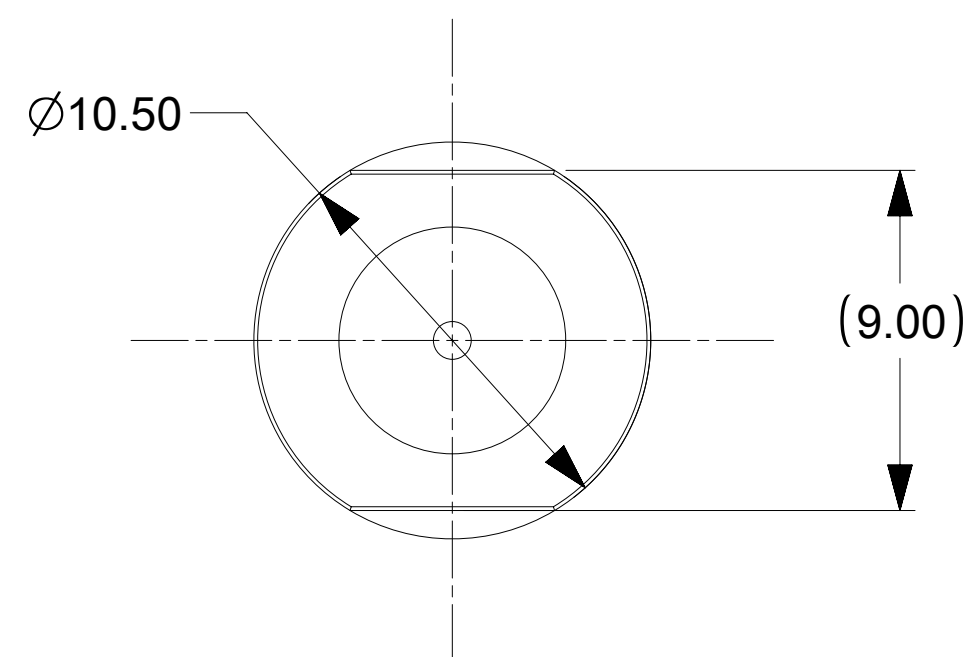
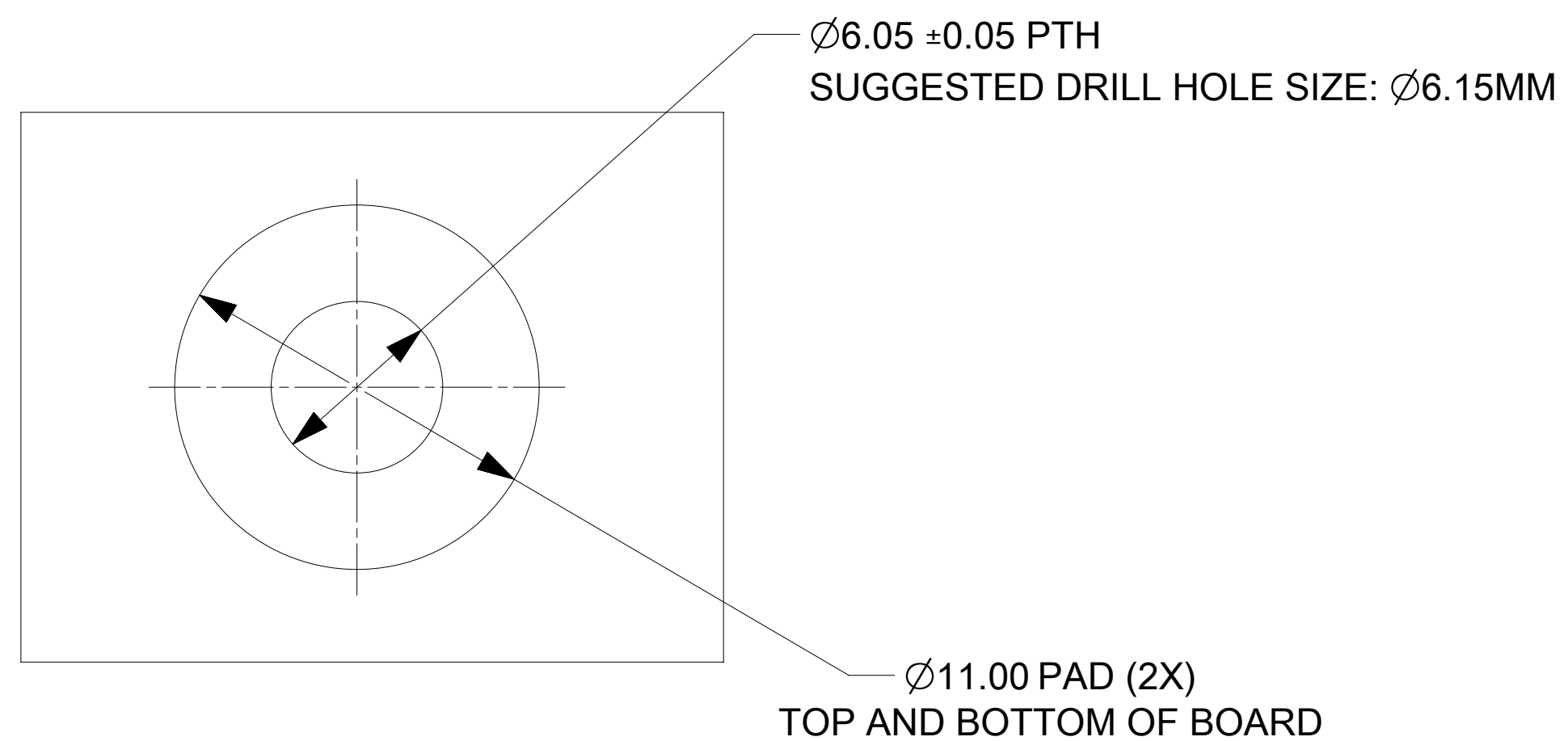


PART NUMBER	DIMENSION "L"
203263-6085	18.52
203263-6185	25.52
203263-6285	20.92
203263-6385	30.92
203263-6485	29.42
203263-6585	23.77
203263-6685	40.00
203263-6785	51.52
203263-6885	45.50
203263-6985	14.02
203263-8085	16.00
203263-8185	20.00
203263-8285	26.00
203263-8485	36.00
203263-8585	48.00
203263-8385	92.10
203263-8685	28.50

SECTION A-A



NOTES:

- MATERIALS:
BASE METAL: HIGH CONDUCTIVE COPPER ALLOY
PLATING ON BODY: 3.18 MICRON MIN SILVER OVER 1.27 MICRON MIN NICKEL
- PRODUCT SPECIFICATION: 2043130006-PS
- APPLICATION SPECIFICATION: 2043130006-AS
- PARTS TO BE PACKAGED AS PER PACKAGING SPECIFICATION: 2032630006-PK
- SILVER COMPONENTS WILL BE SUPPLIED TARNISH FREE BUT MAY TARNISH OVER TIME.
- PART MOUNTED WITH CONDUCTIVE M4 SCREW AND CONDUCTIVE BELLEVILLE WASHER FOR OPTIMAL PERFORMANCE
- SCREW LENGTH TO BE DETERMINED BY CUSTOMER, SCREWS AND WASHERS ARE NOT SUPPLIED BY MOLEX.

RECOMMENDED PCB OR BUSBAR LAYOUT

THIS DRAWING CONTAINS INFORMATION THAT IS PROPRIETARY TO MOLEX ELECTRONIC TECHNOLOGIES, LLC AND SHOULD NOT BE USED WITHOUT WRITTEN PERMISSION											
DIMENSION UNITS mm		SCALE 5:1		CURRENT REV DESC: UPDATED "L" DIMENSION FOR P/N 203263-8685						molex	
GENERAL TOLERANCES (UNLESS SPECIFIED)				EC NO: 786070							
ANGULAR TOL ± 0.5°				4 PLACES ±		DRWN: AKASHM6		2024/04/23		CENTRALITY 6.00MM MALE TERMINAL SCREW MOUNT	
				3 PLACES ±		CHK'D: SACHIK7		2024/05/15			
				2 PLACES ± 0.15		APPR: HTHYAGARAJ		2024/05/22		PRODUCT CUSTOMER DRAWING	
				1 PLACE ± 0.25		INITIAL REVISION:				DOCUMENT NUMBER	
				0 PLACES ±		DRWN: JJONIAK		2018/10/10		DOC TYPE	
				DRAFT WHERE APPLICABLE MUST REMAIN WITHIN DIMENSIONS		APPR: BPISZCZOR		2019/03/22		DOC PART	
THIRD ANGLE PROJECTION		DRAWING		SERIES		MATERIAL NUMBER		CUSTOMER		REVISION	
D		D-SIZE		203263		SEE TABLE		GENERAL MARKET		B7	
DOCUMENT STATUS		P1		RELEASE DATE		2024/05/22		06:26:42		SHEET NUMBER	
										1 OF 1	