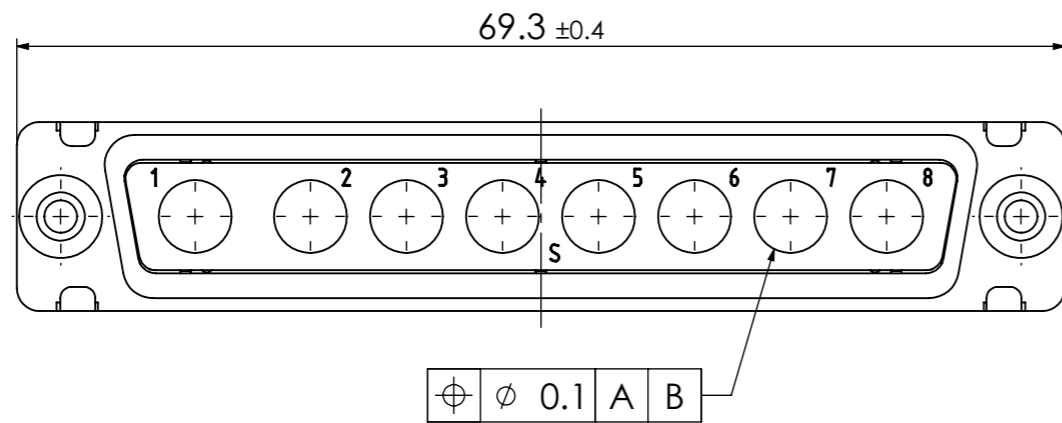
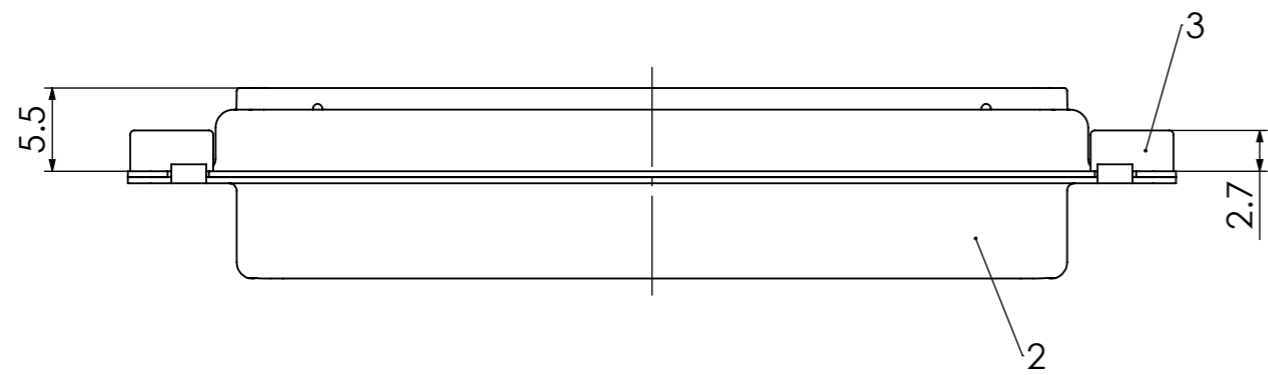
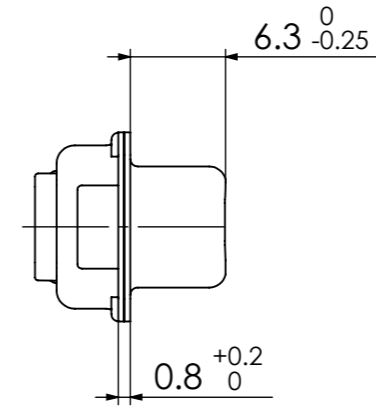
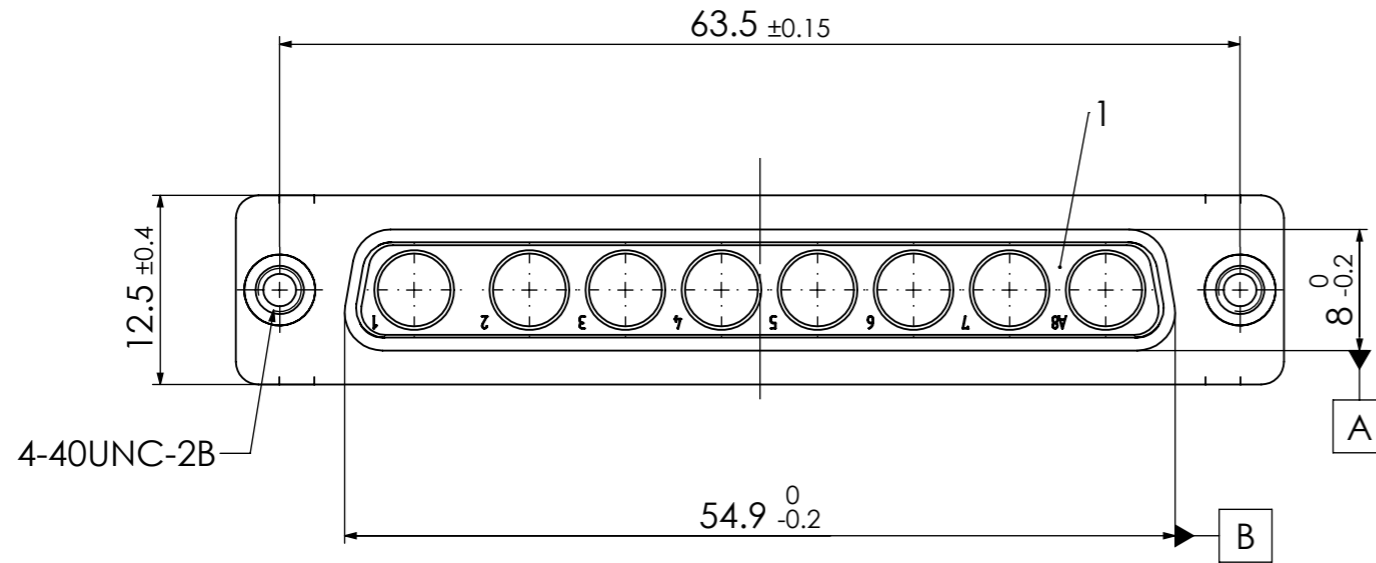
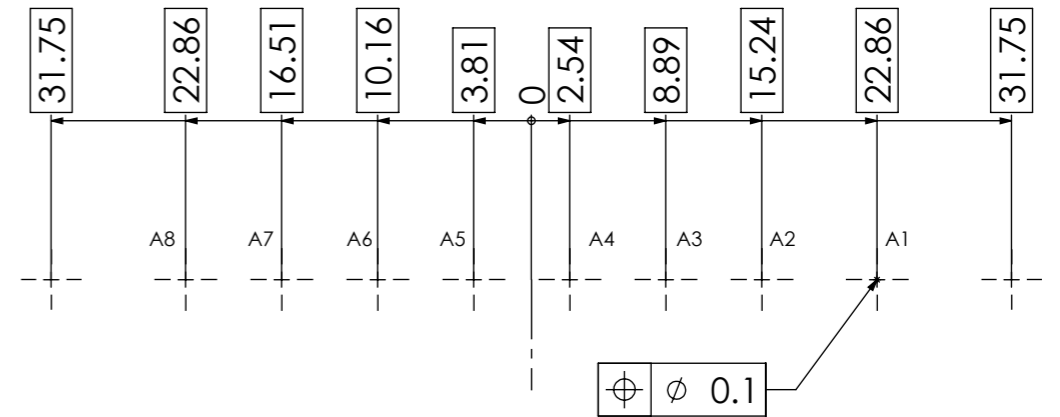


RoHS compliant
by exemption



PCB hole pattern, mounting side



3	2	Clinch nut	FT 4-40 / Steel	tin plated
2	1	Shell	Steel	tin plated
1	1	Insulator	PBT (-55°C to +130°C) acc. UL94V-0	green
No.	St.	Part	Type Description/Material	Surface plating/Colour/Class

FUNCTIONAL SYMBOLS					THIS DRAWING CONTAINS INFORMATION THAT IS PROPRIETARY TO MOLEX ELECTRONIC TECHNOLOGIES, LLC AND SHOULD NOT BE USED WITHOUT WRITTEN PERMISSION				
DIMENSION UNITS		SCALE		MEASUREMENTS WITHOUT TOLERANCE ACC. TO			molex		
mm		2:1		ISO 2768-m					
CURRENT REVISION					PRODUCT CUSTOMER DRAWING				
DRWN: DRAWN BY		msteinbrueck		20-10-2022		FCT D-Sub Mixed-Layout Connector			
APPR: APPR BY		fvetter		04-04-2023					
INITIAL REVISION					MATERIAL NUMBER				
DRWN: DRAWN BY		Denzinger		07-01-2003		1731070167			
APPR: APPR BY		Floßmann		07-01-2003					
REVISION		CH.-NO.		DOCUMENT NUMBER		FMT8W8S-K121			
2		24130		A3-SIZE					
REPLACEMENT FOR:		FIRST ANGLE PROJECTION		DRAWING		CUSTOMER			
						GENERAL MARKET			
						REVISION			
						2			
						SHEET NUMBER			
						1 OF 1			

COMMENT: ALL RIGHTS ARE RESERVED BY US FOR THIS DRAWING. WITHOUT OUR PRIOR CONSENT, IT MAY NEITHER BE DUPLICATED NOR MADE AVAILABLE TO A THIRD PARTY. AND IT ALSO MAY NOT BE IMPROPERLY USED BY THE RECEIVER, OR A THIRD PARTY.