

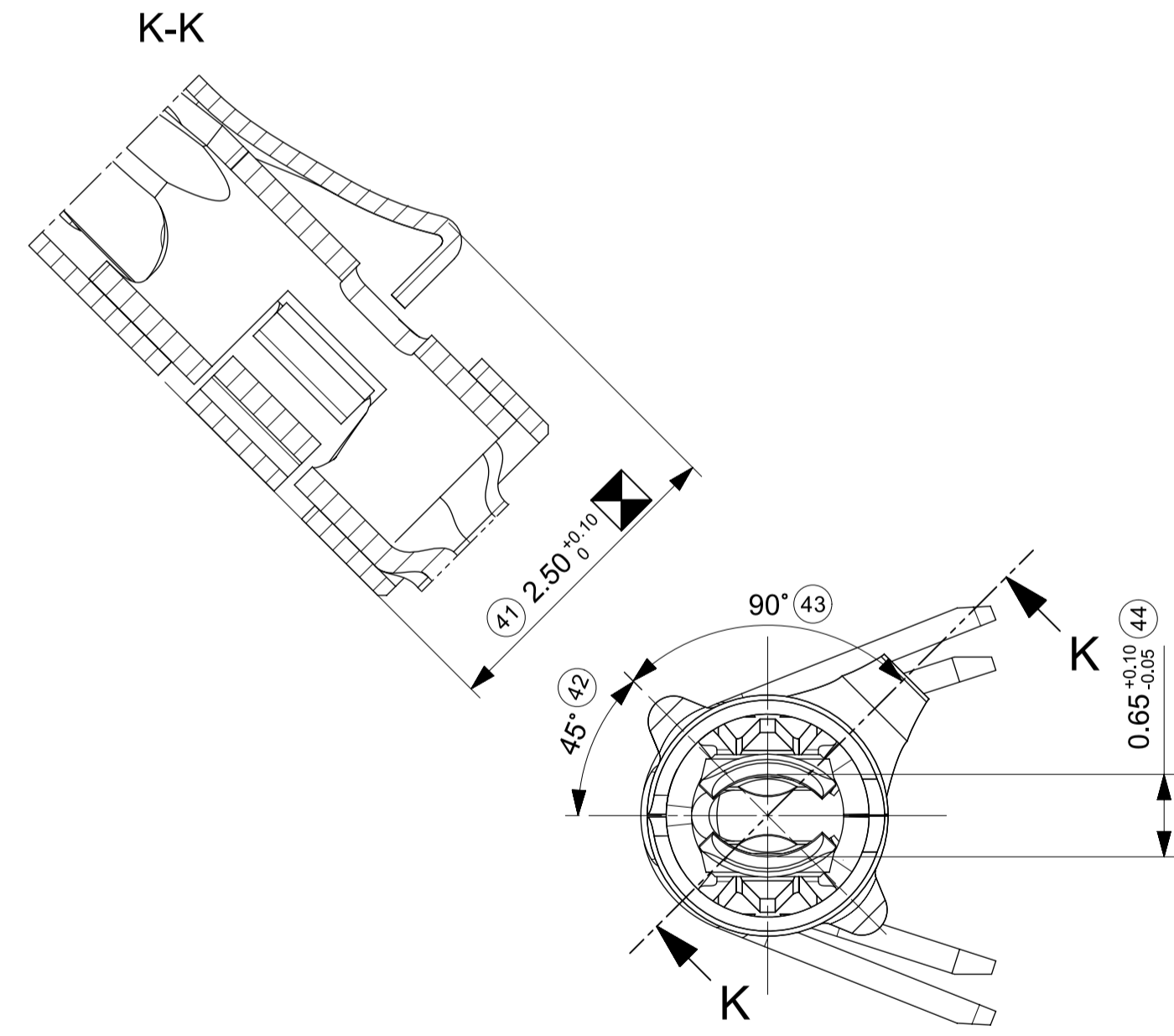
NOTE :
 - MARKING "A" is used to identify "STANDARD" terminal
 - CRIMPING SPECIFICATION ACCORDING TO AS-64322-001

MARK	DESIGNATION	MATERIAL
2	BOX TERMINAL	STAINLESS STEEL thickness=0.15 mm
1	BODY TERMINAL	high conductivity copper alloy thickness=0.2 mm

PART NUMBER	CONTACT AREA	CRIMPING AREA	UNDERLAYER	CRIMPING RANGE (mm2)	A±0.2	B±0.2	rC ^{+0.15/-0.1}	D±0.2	E±0.2	rF±0.1	WEIGHT (g)
0643221029	Sn	Sn		0.75	2.5	2.4	0.6	3.3	2.8	0.75	0.119
0643221219	Au 1.27μ MINI	Sn	Ni	0.50	2.3	2.2	0.6	3.1	2.6	0.75	0.117
0643221039	Sn	Sn		0.22 to 0.44	2.0	1.7	0.6	3.1	2.6	0.75	0.112
0643221239	Au 1.27μ MINI	Sn	Ni								
0643221019	Sn	Sn									
0643221229	Au 1.27μ MINI	Sn	Ni								

DELIMITED GOLD PLATED AREA

A-A



(SKC)	COTES CARACTERISTIQUES SPECIALES	SPECIAL KEY CHARACTERISTICS
⊠	INDICATION DIMENSIONS S.P.C	DENOTES S.P.C DIMENSIONS
⊙	INDICATION DIMENSIONS CRITIQUES	DENOTES CRITICAL DIMENSIONS
●	INDICATION DIMENSIONS FONCTIONNELLES	DENOTES FUNCTIONAL DIMENSIONS
QUANTITE PAR FEUILLE INDIVIDUELLE QUANTITY PER INDIVIDUAL SHEET		
⊠ 1	⊙ 0	● 4 (SKC) 0

FUNCTIONAL SYMBOLS		THIS DRAWING CONTAINS INFORMATION THAT IS PROPRIETARY TO MOLEX ELECTRONIC TECHNOLOGIES, LLC AND SHOULD NOT BE USED WITHOUT WRITTEN PERMISSION		CURRENT REV DESC: Dim 5 and Dim 10 tolerance update	
FA = 0	mm	SCALE	20:1		
FC = 0	GENERAL TOLERANCES (UNLESS SPECIFIED)				
FD = 0	ANGULAR TOL ± 2°				
DIVISIONAL SYMBOLS		4 PLACES	± 0.10000		
		3 PLACES	± 0.1000		
		2 PLACES	± 0.100		
		1 PLACE	± 0.10		
		0 PLACES	± 0.10		
DRAFT WHERE APPLICABLE MUST REMAIN WITHIN DIMENSIONS		FIRST ANGLE PROJECTION	DRAWING	SERIES	64322
		A1-SIZE		MATERIAL NUMBER	
		STATUS: Production		CUSTOMER	
		DRWN: Nitin Venkatesh Shet		GENERAL MARKET	
		CHK'D: Nitin Venkatesh Shet		SHEET NUMBER	
		APPR: ChandrashekarS		1 OF 1	
		2024-01-25		DOCUMENT NUMBER	
		2024-01-30		SD-64322-001	
		2024-01-30		DOC TYPE DOC PART REVISION	
				PSD 000 E2	

molex

CP RCPT TRM 0.6

PRODUCT SALES DRAWING

DOCUMENT NUMBER	DOC TYPE	DOC PART	REVISION
SD-64322-001	PSD	000	E2
MATERIAL NUMBER	CUSTOMER	SHEET NUMBER	
	GENERAL MARKET	1 OF 1	