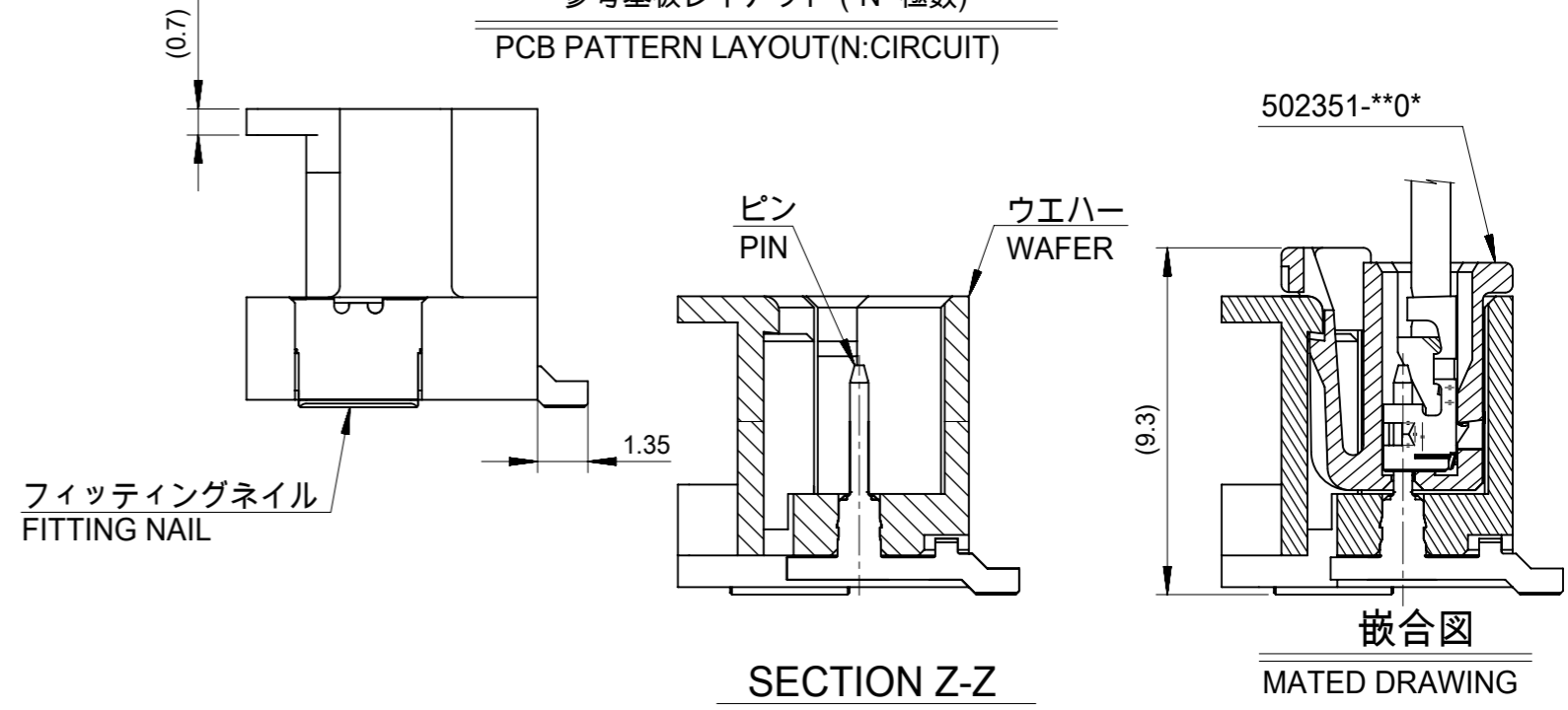
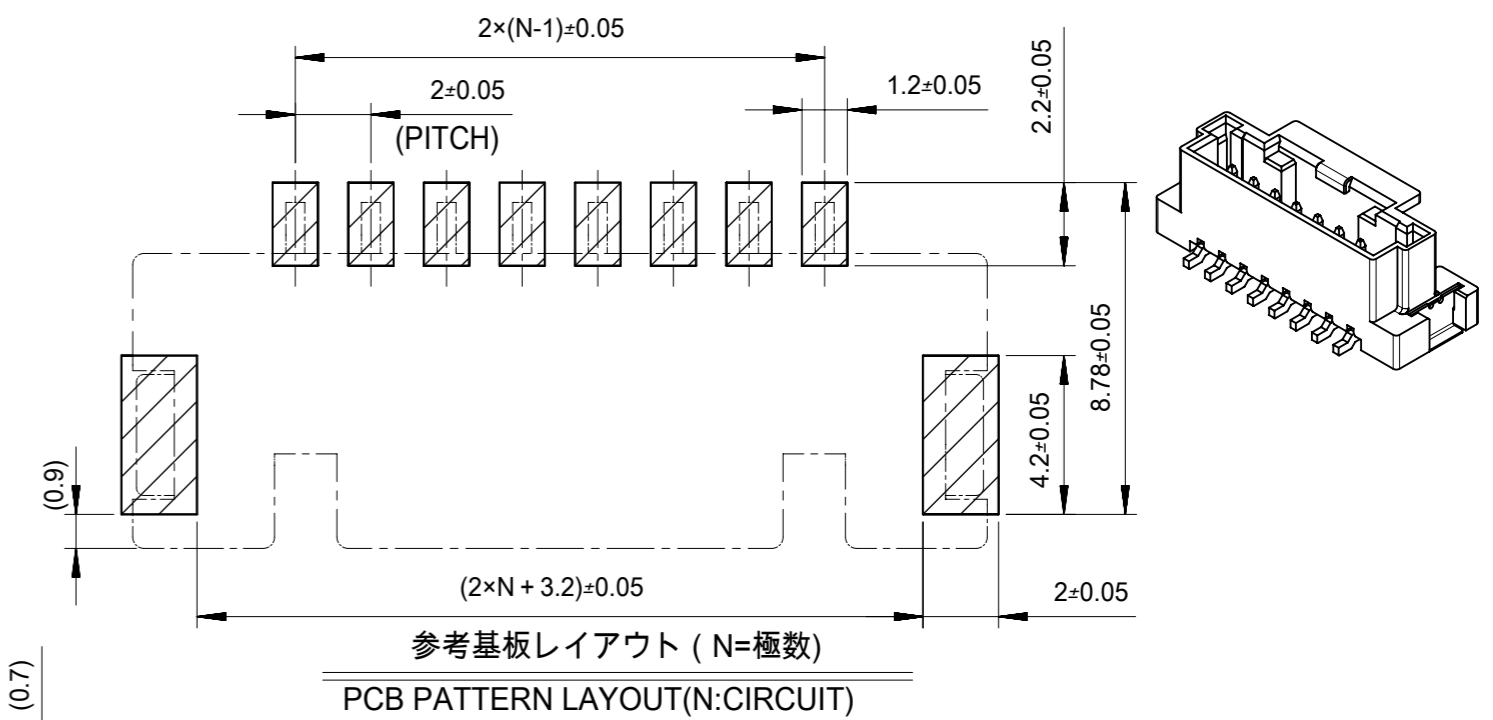


8CKTS



注記
NOTES

- 材質
ウエハー: 耐熱性ナイロン UL94V-0
ピン: 銅合金、ニッケル下地、錫メッキ、金メッキ
フィッティングネール: 銅合金、ニッケル下地、錫メッキ
MATERIAL
WAFER: POLYAMIDE UL94V-0
PIN: COPPER ALLOY, GOLD OR TIN OVER NICKEL PLATE.
FINNTING NAIL: COPPER ALLOY, TIN OVER NICKEL PLATE.
- 色: ナチュラル、黒、赤、青
COLOR: NATURAL, BLACK, RED, BLUE
- 嵌合相手:
ハウジング: 502351-**0*
錫メッキ端子: 50212-8*00, 50372-8*00, 560085-0101
金メッキ端子: 56161-8*81
MATES WITH
HOUSING: 502351-**0*
SN PLATING TERMINAL: 50212-8*00, 50372-8*00, 560085-0101
AU PLATING TERMINAL: 56161-8*81

- インボス梱包品の詳細はSD-560020-002参照
DETAILED TAPING PACKAGE, SEE SD-560020-002
- 半田付け面のコプラナリティ: 0.1mm MAX.
CO-PLANARITY OF SOLDER TAILS TO BE 0.1mm MAX.
- 一般公差
GENERAL TOLERANCES
10 UNDER: ±0.2
10 OVER 30 UNDER: ±0.25
30 OVER: ±0.3
ANGULAR: ±1°

INITIAL REVISION:

DRWN	SHSHIBATA	2009/02/18
CHECK	HKOMATSU	2009/02/18
APPR	AKANESHIGE	2009/02/18

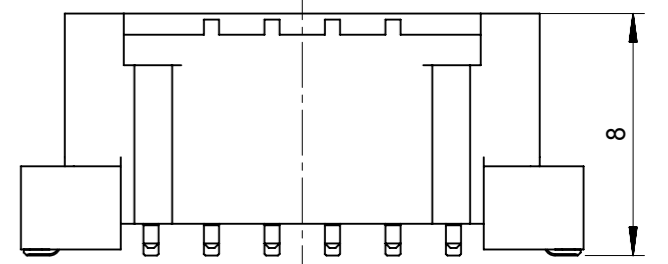
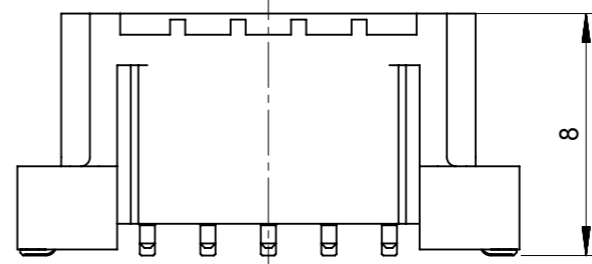
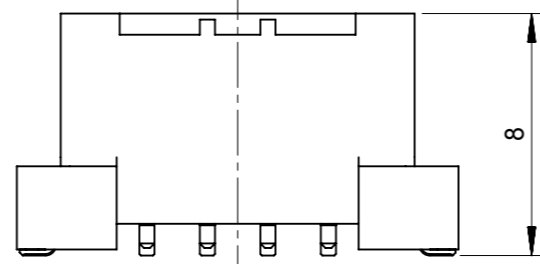
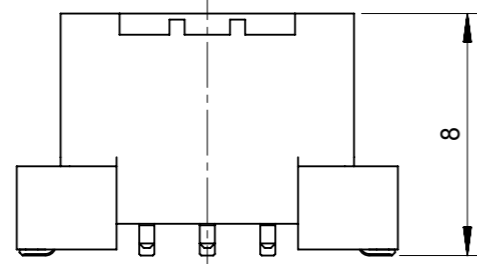
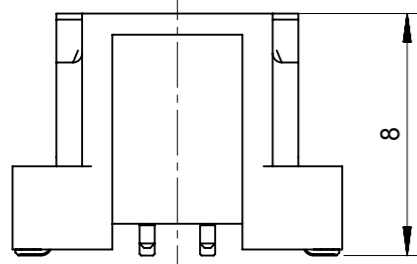
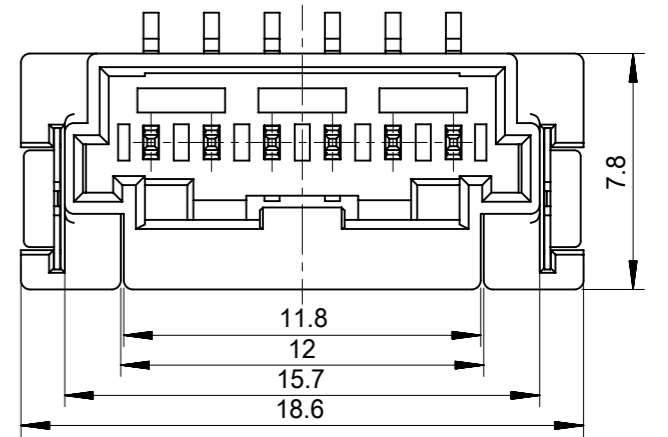
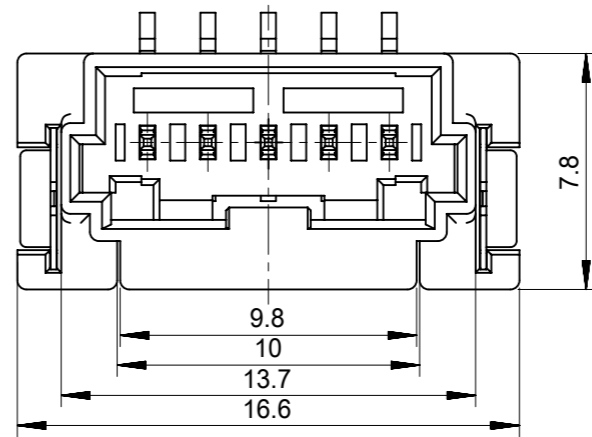
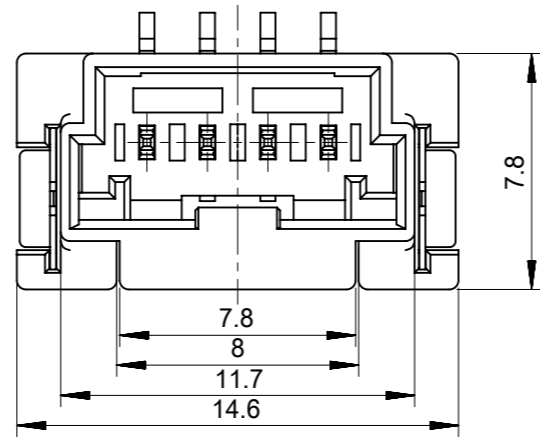
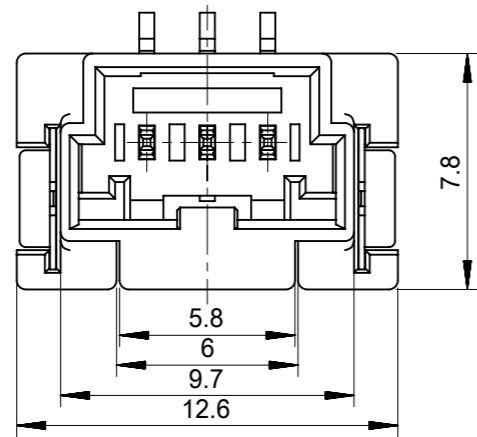
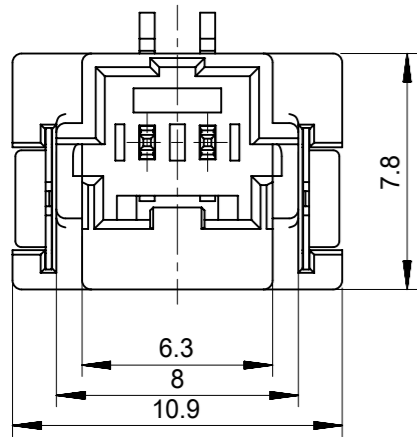
FUNCTIONAL SYMBOLS	THIS DRAWING CONTAINS INFORMATION THAT IS PROPRIETARY TO MOLEX ELECTRONIC TECHNOLOGIES, LLC AND SHOULD NOT BE USED WITHOUT WRITTEN PERMISSION		SCALE		CURRENT REV DESC:
	mm	5:1			
DIVISIONAL SYMBOLS	GENERAL TOLERANCES (UNLESS SPECIFIED)				EC NO: 635305 DRWN: MUNEMOTO 2020/04/02 CHK'D: HIJIMA 2020/04/03 APPR: TOSADA 2020/04/06
	4 PLACES	±	MM	INCH	
FUNCTIONAL SYMBOLS	3 PLACES	±			INITIAL REVISION: DRWN: DRAWN BY 0099/99/99 APPR: APPR BY 0099/99/99
	2 PLACES	±			
	1 PLACE	±			
	0 PLACES	±			
ANGULAR TOL		±			DRAWING SERIES MATERIAL NUMBER CUSTOMER SHEET NUMBER A3-SIZE 560020 GENERAL MARKET 1 OF 4
DRAFT WHERE APPLICABLE MUST REMAIN WITHIN DIMENSIONS		THIRD ANGLE PROJECTION			

molex

2.0MM PITCH W/B CONN.
WAFER ASSY ST. SMT

PRODUCT CUSTOMER DRAWING

DOCUMENT NUMBER: SD-560020-001
DOC TYPE: PSD
DOC PART: 001
REVISION: K



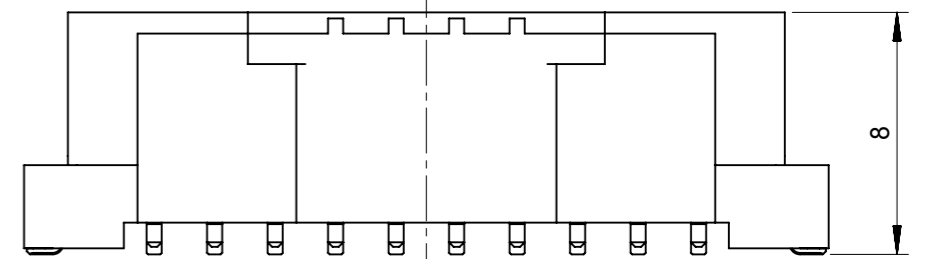
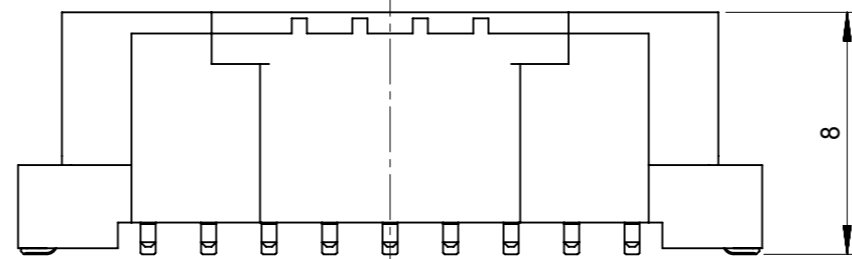
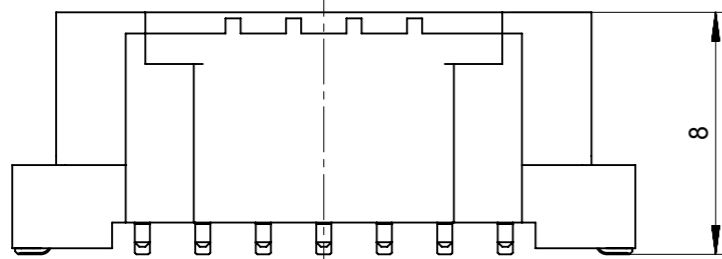
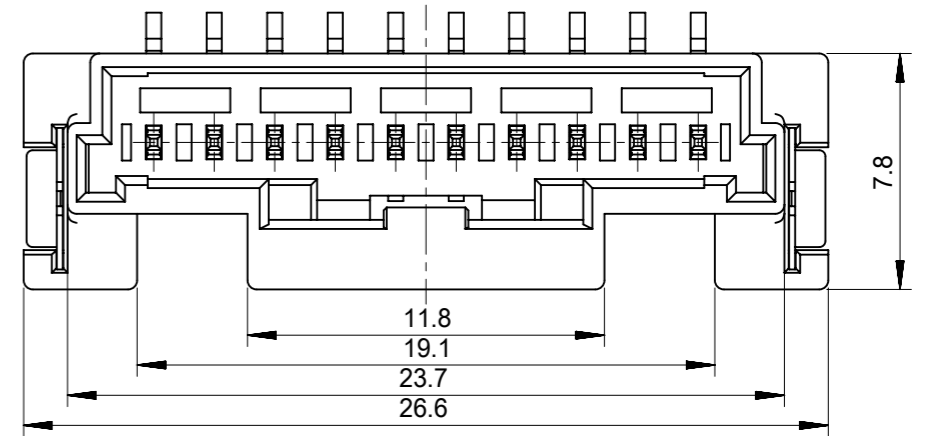
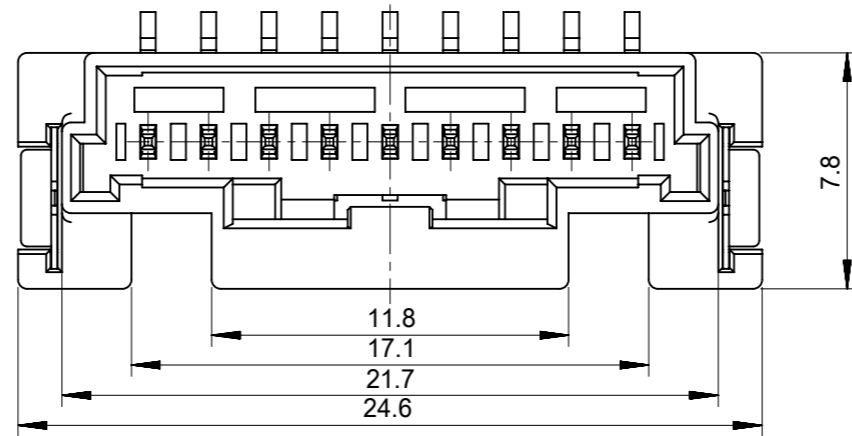
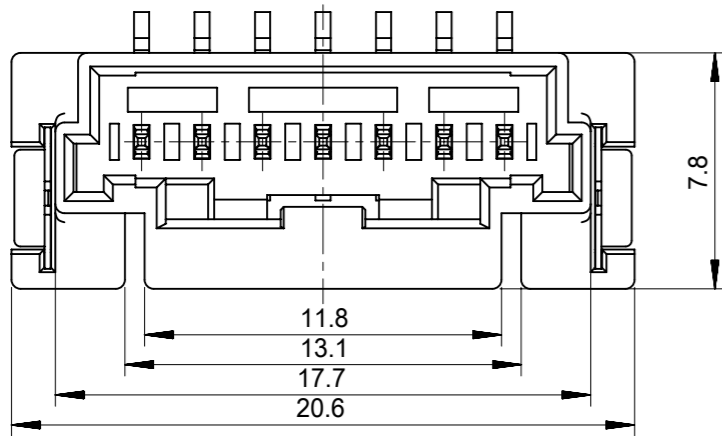
2CKTS

3CKTS

4CKTS

5CKTS

6CKTS



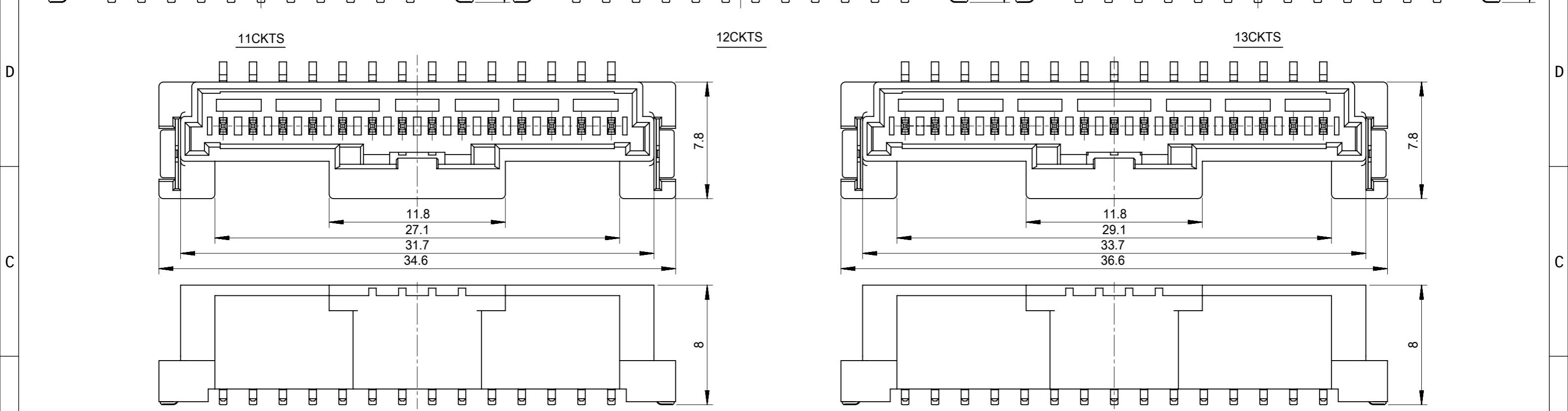
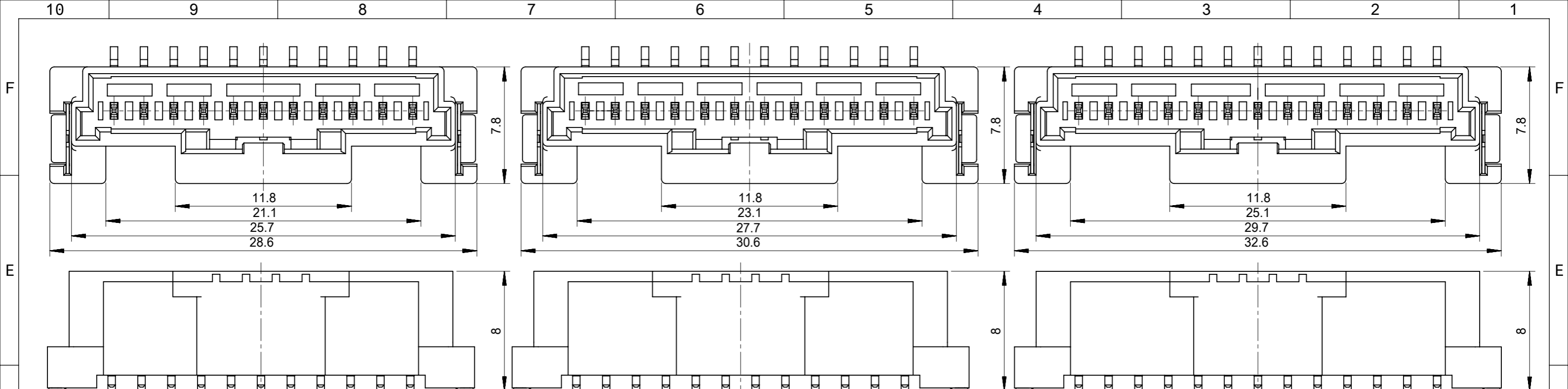
7CKTS

9CKTS

10CKTS

FUNCTIONAL SYMBOLS $\nabla_A = 0$ $\nabla_F = 0$ $\nabla_P = 0$ DIVISIONAL SYMBOLS	THIS DRAWING CONTAINS INFORMATION THAT IS PROPRIETARY TO MOLEX ELECTRONIC TECHNOLOGIES, LLC AND SHOULD NOT BE USED WITHOUT WRITTEN PERMISSION	DIMENSION UNITS: mm SCALE: 4:1 GENERAL TOLERANCES (UNLESS SPECIFIED): 4 PLACES: ± 3 PLACES: ± 2 PLACES: ± 1 PLACE: ± 0 PLACES: ± ANGULAR TOL: ± °	CURRENT REV DESC: EC NO: 635305 DRWN: MUNEMOTO 2020/04/02 CHK'D: HIJIMA 2020/04/03 APPR: TOSADA 2020/04/06 INITIAL REVISION: DRWN: DRAWN BY 0099/99/99 APPR: APPR BY 0099/99/99			
	PRODUCT CUSTOMER DRAWING			2.0MM PITCH W/B CONN. WAFER ASSY ST. SMT		
	DOCUMENT NUMBER: SD-560020-001		DOC TYPE: PSD	DOC PART: 001	REVISION: K	
	DRAFT WHERE APPLICABLE MUST REMAIN WITHIN DIMENSIONS	THIRD ANGLE PROJECTION	DRAWING: A3-SIZE	SERIES: 560020	MATERIAL NUMBER:	CUSTOMER: GENERAL MARKET

INITIAL REVISION:
 DRWN SHSHIBATA 2009/02/18
 CHECK HKOMATSU 2009/02/18
 APPR AKANESHIGE 2009/02/18



DOCUMENT STATUS	P1	RELEASE DATE	2020/04/06	00:33:42
-----------------	----	--------------	------------	----------

INITIAL REVISION:
 DRWN SHSHIBATA 2009/02/18
 CHECK HKOMATSU 2009/02/18
 APPR AKANESHIGE 2009/02/18

FUNCTIONAL SYMBOLS FA = 0 FB = 0 FP = 0	THIS DRAWING CONTAINS INFORMATION THAT IS PROPRIETARY TO MOLEX ELECTRONIC TECHNOLOGIES, LLC AND SHOULD NOT BE USED WITHOUT WRITTEN PERMISSION		CURRENT REV DESC:		
	DIMENSION UNITS mm	SCALE 4:1	EC NO: 635305 DRWN: MUNEMOTO 2020/04/02 CHK'D: HIJIMA 2020/04/03 APPR: TOSADA 2020/04/06		
DIVISIONAL SYMBOLS	GENERAL TOLERANCES (UNLESS SPECIFIED)		INITIAL REVISION:		
	4 PLACES ±	MM INCH	DRWN: DRAWN BY 0099/99/99 APPR: APPR BY 0099/99/99		
DRAFT WHERE APPLICABLE MUST REMAIN WITHIN DIMENSIONS		THIRD ANGLE PROJECTION	DRAWING A3-SIZE	SERIES 560020	MATERIAL NUMBER SD-560020-001
CUSTOMER GENERAL MARKET			SHEET NUMBER 3 OF 4		

molex

2.0MM PITCH W/B CONN.
 WAFER ASSY ST. SMT

PRODUCT CUSTOMER DRAWING

DOCUMENT NUMBER SD-560020-001	DOC TYPE PSD	DOC PART 001	REVISION K
---	------------------------	------------------------	----------------------

Sn NATURAL	11.8	29.1	33.7	36.6	560020-1520	15
	11.8	27.1	31.7	34.6	560020-1420	14
	11.8	25.1	29.7	32.6	560020-1320	13
	11.8	23.1	27.7	30.6	560020-1220	12
	11.8	21.1	25.7	28.6	560020-1120	11
	11.8	19.1	23.7	26.6	560020-1020	10
	11.8	17.1	21.7	24.6	560020-0920	9
	11.8	15.1	19.7	22.6	560020-0820	8
	11.8	13.1	17.7	20.6	560020-0720	7
	11.8	12	15.7	18.6	560020-0620	6
	9.8	10	13.7	16.6	560020-0520	5
	7.8	8	11.7	14.6	560020-0420	4
	5.8	6	9.7	12.6	560020-0320	3
	6.3	/	8.0	10.9	560020-0220	2
PLATING COLOR	D	C	B	A	EMBOSSED PACKAGE ORDER NO.	CKTS
CONNECTOR SERIES NO. 560020-**08						

Au NATURAL	11.8	29.1	33.7	36.6	560020-1530	15
	11.8	27.1	31.7	34.6	560020-1430	14
	11.8	25.1	29.7	32.6	560020-1330	13
	11.8	23.1	27.7	30.6	560020-1230	12
	11.8	21.1	25.7	28.6	560020-1130	11
	11.8	19.1	23.7	26.6	560020-1030	10
	11.8	17.1	21.7	24.6	560020-0930	9
	11.8	15.1	19.7	22.6	560020-0830	8
	11.8	13.1	17.7	20.6	560020-0730	7
	11.8	12	15.7	18.6	560020-0630	6
	9.8	10	13.7	16.6	560020-0530	5
	7.8	8	11.7	14.6	560020-0430	4
	5.8	6	9.7	12.6	560020-0330	3
	6.3	/	8.0	10.9	560020-0230	2
PLATING COLOR	D	C	B	A	EMBOSSED PACKAGE ORDER NO.	CKTS
CONNECTOR SERIES NO. 560020-**18						

Sn BLACK	11.8	29.1	33.7	36.6	560020-1521	15
	11.8	27.1	31.7	34.6	560020-1421	14
	11.8	25.1	29.7	32.6	560020-1321	13
	11.8	23.1	27.7	30.6	560020-1221	12
	11.8	21.1	25.7	28.6	560020-1121	11
	11.8	19.1	23.7	26.6	560020-1021	10
	11.8	17.1	21.7	24.6	560020-0921	9
	11.8	15.1	19.7	22.6	560020-0821	8
	11.8	13.1	17.7	20.6	560020-0721	7
	11.8	12	15.7	18.6	560020-0621	6
	9.8	10	13.7	16.6	560020-0521	5
	7.8	8	11.7	14.6	560020-0421	4
	5.8	6	9.7	12.6	560020-0321	3
	6.3	/	8.0	10.9	560020-0221	2
PLATING COLOR	D	C	B	A	EMBOSSED PACKAGE ORDER NO.	CKTS
CONNECTOR SERIES NO. 560020-**28						

Sn RED	/	/	/	/	/	15
	/	/	/	/	/	14
	/	/	/	/	/	13
	/	/	/	/	/	12
	/	/	/	/	/	11
	/	/	/	/	/	10
	/	/	/	/	/	9
	11.8	15.1	19.7	22.6	560020-0822	8
	/	/	/	/	/	7
	11.8	12	15.7	18.6	560020-0622	6
	/	/	/	/	/	5
	7.8	8	11.7	14.6	560020-0422	4
	5.8	6	9.7	12.6	560020-0322	3
	6.3	/	8.0	10.9	560020-0222	2
PLATING COLOR	D	C	B	A	EMBOSSED PACKAGE ORDER NO.	CKTS
CONNECTOR SERIES NO. 560020-**48						

Sn BLUE	/	/	/	/	/	15
	/	/	/	/	/	14
	/	/	/	/	/	13
	/	/	/	/	/	12
	/	/	/	/	/	11
	/	/	/	/	/	10
	/	/	/	/	/	9
	11.8	15.1	19.7	22.6	560020-0823	8
	/	/	/	/	/	7
	11.8	12	15.7	18.6	560020-0623	6
	/	/	/	/	/	5
	7.8	8	11.7	14.6	560020-0423	4
	5.8	6	9.7	12.6	560020-0323	3
	6.3	/	8.0	10.9	560020-0223	2
PLATING COLOR	D	C	B	A	EMBOSSED PACKAGE ORDER NO.	CKTS
CONNECTOR SERIES NO. 560020-**68						

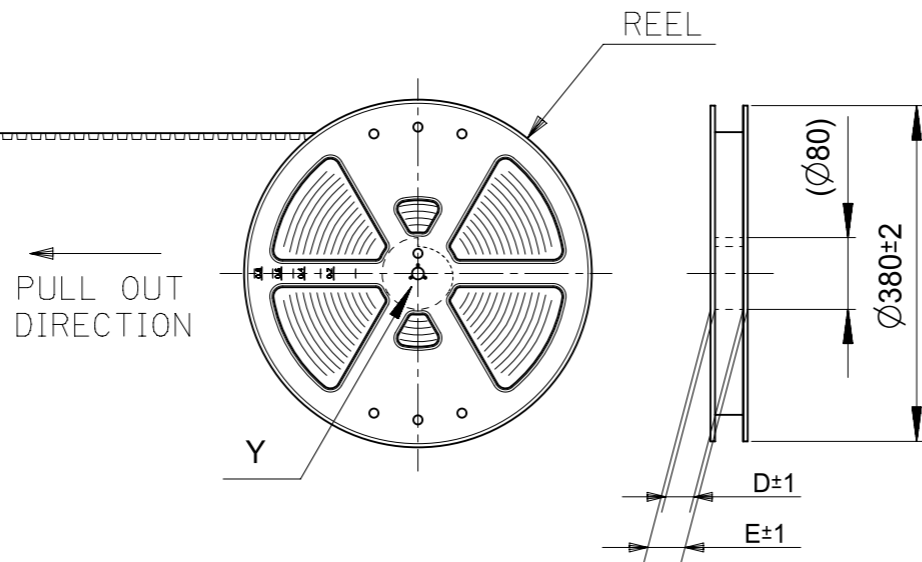
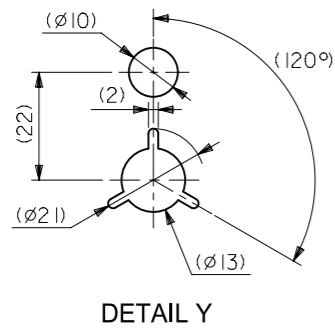
INITIAL REVISION:
 DRWN SHSHIBATA 2009/02/18
 CHECK HKOMATSU 2009/02/18
 APPR AKANESHIGE 2009/02/18

FUNCTIONAL SYMBOLS		THIS DRAWING CONTAINS INFORMATION THAT IS PROPRIETARY TO MOLEX ELECTRONIC TECHNOLOGIES, LLC AND SHOULD NOT BE USED WITHOUT WRITTEN PERMISSION	
FA=0	mm	SCALE 1:1	CURRENT REV DESC:
FE=0	GENERAL TOLERANCES (UNLESS SPECIFIED)		
FP=0	MM INCH		
DIVISIONAL SYMBOLS		4 PLACES ±	EC NO: 635305
		3 PLACES ±	DRWN: MUNEMOTO 2020/04/02
		2 PLACES ±	CHK'D: HIJIMA 2020/04/03
		1 PLACE ±	APPR: TOSADA 2020/04/06
		0 PLACES ±	INITIAL REVISION:
		ANGULAR TOL ± °	DRWN: DRAWN BY 0099/99/99
DRAFT WHERE APPLICABLE MUST REMAIN WITHIN DIMENSIONS		THIRD ANGLE PROJECTION	APPR: APPR BY 0099/99/99
		DRAWING A3-SIZE	SERIES 560020
		MATERIAL NUMBER	CUSTOMER GENERAL MARKET
		DOCUMENT NUMBER SD-560020-001	DOC TYPE PSD
		DOC PART 001	REVISION K
		SHEET NUMBER 4 OF 4	



2.0MM PITCH W/B CONN.
 WAFER ASSY ST. SMT

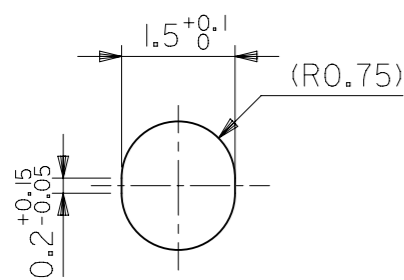
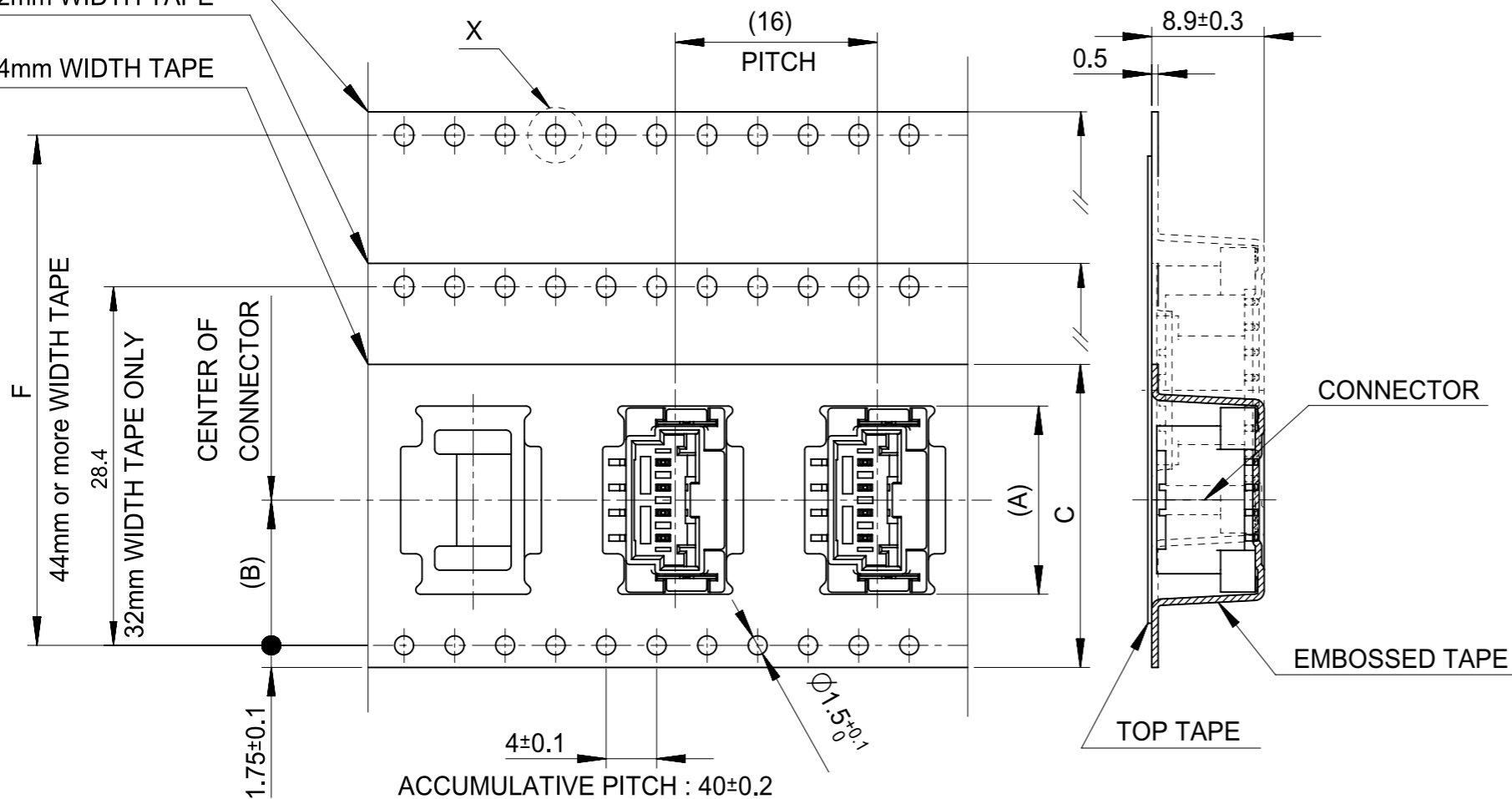
PRODUCT CUSTOMER DRAWING



44mm or more
WIDTH TAPE

32mm WIDTH TAPE

24mm WIDTH TAPE



DETAIL X
(SCALE 10:1)

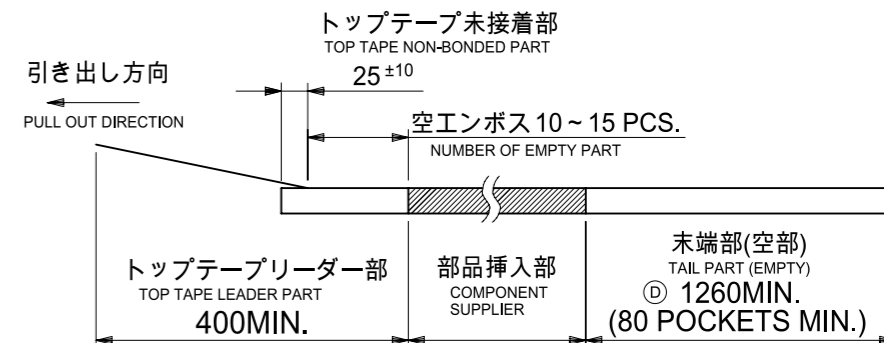
PULL OUT DIRECTION
DIRECTION OF CONNECTOR
IN EMBOSSED TAPE

NOTES

- 製品番号：
 ナチュラル・錫めっき 560020-**20
 ナチュラル・金めっき 560020-**30
 黒・錫めっき 560020-**21
 赤・錫めっき 560020-**22
 青・錫めっき 560020-**23
 詳細寸法については、製品単体図面を参照ください。

- PART NO.
 NATURAL・Sn Plating 560020-**20
 NATURAL・Au Plating 560020-**30
 BLACK・Sn Plating 560020-**21
 RED・Sn Plating 560020-**22
 BLUE・Sn Plating 560020-**23
 SEE SALES DRAWING FOR CONNECTOR

- 梱包数量： 650個/REEL
 NUMBER OF CONNECTORS 650 PCS/REEL
- リードテープ長さ
 LEAD TAPE LENGTH



- 材料
 MATERIAL
 キャリアテープ： ポリスチレン
 CARRIER TAPE: POLYSTYRENE
 トップテープ： PET, PE, PEF
 TOP TAPE: PET, PE, PEF
 リール： ポリスチレン
 REEL: POLYSTYRENE

- 一般公差
 GENERAL TOLERANCES
 10 UNDER: ±0.2
 10 OVER 30 UNDER: ±0.25
 30 OVER: ±0.3
 ANGULAR: ±1°

FUNCTIONAL SYMBOLS	THIS DRAWING CONTAINS INFORMATION THAT IS PROPRIETARY TO MOLEX ELECTRONIC TECHNOLOGIES, LLC AND SHOULD NOT BE USED WITHOUT WRITTEN PERMISSION		CURRENT REV DESC:		molex
	FA = 0	mm	SCALE	NTS	
DIVISIONAL SYMBOLS	FE = 0	GENERAL TOLERANCES (UNLESS SPECIFIED)		PHASE:	PRODUCT SALES DRAWING
	FP = 0	4 PLACES ±	MM	INCH	
		3 PLACES ±	CO NO:		DOC TYPE
		2 PLACES ±	DRWN: Hideo Yoneyama 2023-10-23		DOC PART
		1 PLACE ±	CHK'D: Hiromichi Komatsu 2023-10-23		REVISION
		0 PLACES ±	APPR: Takashi Iida 2023-10-24		
		ANGULAR TOL ± 0.5°	INITIAL REVISION:		
			DRWN: YTAMAKI 2014/05/23		
			APPR: MAYAMAMOTO 2014/06/30		
DRAFT WHERE APPLICABLE MUST REMAIN WITHIN DIMENSIONS		THIRD ANGLE PROJECTION	DRAWING	SERIES	MATERIAL NUMBER
			A3-SIZE	560020	CUSTOMER
			SEE CHART	GENERAL MARKET	SHEET NUMBER
					1 OF 2

Sn NATURAL	52.4	61.4	57.4	56	26.2	36.9	560020-1520	15
						34.9	560020-1420	14
						32.9	560020-1320	13
	40.4	49.4	45.4	44	20.2	30.9	560020-1220	12
						28.9	560020-1120	11
						26.9	560020-1020	10
						24.9	560020-0920	09
						22.9	560020-0820	08
						20.9	560020-0720	07
	28.4	37.4	33.4	32	14.2	18.9	560020-0620	06
						16.9	560020-0520	05
	/	29.4	25.4	24	11.5	14.9	560020-0420	04
						12.9	560020-0320	03
11.2						560020-0220	02	
PLATING COLOR	F	E	D	C	(B)	(A)	エンボス梱包品 製品番号 EMBOSSED PACKAGE MATERIAL NO.	CIRCUITS

Au NATURAL	52.4	61.4	57.4	56	26.2	36.9	560020-1530	15
						34.9	560020-1430	14
						32.9	560020-1330	13
	40.4	49.4	45.4	44	20.2	30.9	560020-1230	12
						28.9	560020-1130	11
						26.9	560020-1030	10
						24.9	560020-0930	09
						22.9	560020-0830	08
						20.9	560020-0730	07
	28.4	37.4	33.4	32	14.2	18.9	560020-0630	06
						16.9	560020-0530	05
	/	29.4	25.4	24	11.5	14.9	560020-0430	04
						12.9	560020-0330	03
11.2						560020-0230	02	
PLATING COLOR	F	E	D	C	(B)	(A)	エンボス梱包品 製品番号 EMBOSSED PACKAGE MATERIAL NO.	CIRCUITS

Sn BLACK	52.4	61.4	57.4	56	26.2	36.9	560020-1521	15
						34.9	560020-1421	14
						32.9	560020-1321	13
	40.4	49.4	45.4	44	20.2	30.9	560020-1221	12
						28.9	560020-1121	11
						26.9	560020-1021	10
						24.9	560020-0921	09
						22.9	560020-0821	08
						20.9	560020-0721	07
	28.4	37.4	33.4	32	14.2	18.9	560020-0621	06
						16.9	560020-0521	05
	/	29.4	25.4	24	11.5	14.9	560020-0421	04
						12.9	560020-0321	03
11.2						560020-0221	02	
PLATING COLOR	F	E	D	C	(B)	(A)	エンボス梱包品 製品番号 EMBOSSED PACKAGE MATERIAL NO.	CIRCUITS

Sn RED	/	/	/	/	/	/	/	15
	/	/	/	/	/	/	/	14
	/	/	/	/	/	/	/	13
	40.4	49.4	45.4	44	20.2	/	/	12
						/	/	11
						/	/	10
						/	/	09
						22.9	560020-0822	08
						/	/	07
	28.4	37.4	33.4	32	14.2	18.9	560020-0622	06
						/	/	05
	/	29.4	25.4	24	11.5	14.9	560020-0422	04
						12.9	560020-0322	03
11.2						560020-0222	02	
PLATING COLOR	F	E	D	C	(B)	(A)	エンボス梱包品 製品番号 EMBOSSED PACKAGE MATERIAL NO.	CIRCUITS

Sn BLUE	/	/	/	/	/	/	/	15
	/	/	/	/	/	/	/	14
	/	/	/	/	/	/	/	13
	40.4	49.4	45.4	44	20.2	/	/	12
						/	/	11
						/	/	10
						/	/	09
						22.9	560020-0823	08
						/	/	07
	28.4	37.4	33.4	32	14.2	18.9	560020-0623	06
						/	/	05
	/	29.4	25.4	24	11.5	14.9	560020-0423	04
						12.9	560020-0323	03
11.2						560020-0223	02	
PLATING COLOR	F	E	D	C	(B)	(A)	エンボス梱包品 製品番号 EMBOSSED PACKAGE MATERIAL NO.	CIRCUITS

FUNCTIONAL SYMBOLS FA=0 FE=0 FP=0	THIS DRAWING CONTAINS INFORMATION THAT IS PROPRIETARY TO MOLEX ELECTRONIC TECHNOLOGIES, LLC AND SHOULD NOT BE USED WITHOUT WRITTEN PERMISSION		CURRENT REV DESC:		molex
	DIMENSION UNITS mm	SCALE NTS	PHASE: CO NO: DRWN: Hideo Yoneyama 2023-10-23 CHK'D: Hiromichi Komatsu 2023-10-23 APPR: Takashi Iida 2023-10-24		
DIVISIONAL SYMBOLS	GENERAL TOLERANCES (UNLESS SPECIFIED)		INITIAL REVISION: DRWN: YTAMAKI 2014/05/23 APPR: MAYAMAMOTO 2014/06/30		PRODUCT SALES DRAWING
	4 PLACES ±	MM INCH	DOCUMENT NUMBER SD-560020-003		DOC TYPE DOC PART REVISION PSD 001 F2
DRAFT WHERE APPLICABLE MUST REMAIN WITHIN DIMENSIONS		THIRD ANGLE PROJECTION	DRAWING A3-SIZE	SERIES 560020	MATERIAL NUMBER SEE CHART
			CUSTOMER GENERAL MARKET	SHEET NUMBER 2 OF 2	