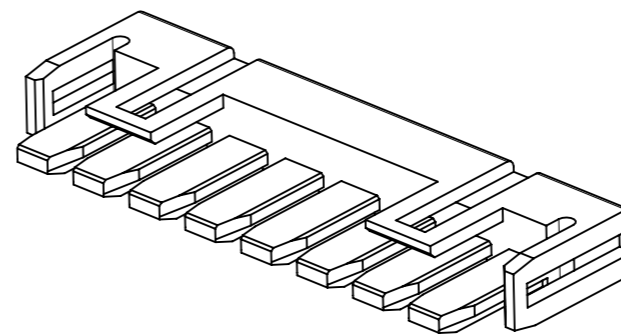


7極以下品形状
SHAPE OF UNDER 7CIRCUIT

12.5	38.1	35	39.3	511641505	15
12.5	35.6	32.5	36.8	511641405	14
12.5	33.1	30	34.3	511641305	13
12.5	30.6	27.5	31.8	511641205	12
12.5	28.1	25	29.3	511641105	11
12.5	25.6	22.5	26.8	511641005	10
12.5	23.1	20	24.3	511640905	9
12.5	20.6	17.5	21.8	511640805	8
-	18.1	15	19.3	511640705	7
-	15.6	12.5	16.8	511640605	6
-	13.1	10	14.3	511640505	5
-	10.6	7.5	11.8	511640405	4
-	8.1	5	9.3	511640305	3
-	5.6	2.5	6.8	511640205	2
D	C	(B)	(A)	発注番号 ORDER No.	極数 CIRCUIT SIZE



NOTE

- ① 材料：TABLE1参照
MATERIAL:SEE TABLE1
- ② 適合ハウジング,嵌合相手,関連ドキュメントについてはSHEET 2 を御参照下さい。
PLEASE REFER TO SHEET 2 FOR APPLICABLE HOUSING, MATING PARTNER AND RELATED DOCUMENTS.
- ③ 偶数極に適合。
APPLY FOR EVEN CIRCUIT.
- ④ 8~15極品に適合
APPLY 8~15 CIRCUIT PRODUCTS.

① TABLE1

部品 PART	材質 MATERIAL
リテーナー RETAINER	ポリエステル(PBT):ガラス含有, UL94V-0, 色:グレー POLYESTER(PBT):GLASS-FILED, UL94V-0, COLOR:GRAY

DOCUMENT STATUS	P1	RELEASE DATE	2022/11/17	11:19:05
-----------------	----	--------------	------------	----------

THIS DRAWING CONTAINS INFORMATION THAT IS PROPRIETARY TO MOLEX ELECTRONIC TECHNOLOGIES, LLC AND SHOULD NOT BE USED WITHOUT WRITTEN PERMISSION		CURRENT REV DESC:				
DIMENSION UNITS	SCALE	EC NO: 728459				
mm	NTS	DRWN: RWATANABE01 2022/11/15		PRODUCT CUSTOMER DRAWING		
GENERAL TOLERANCES (UNLESS SPECIFIED)		CHK'D: AIDA 2022/11/17		DOCUMENT NUMBER		
ANGULAR TOL ± 3.0°		APPR: SAKIYAMA 2022/11/17		511640000-SD		DOC TYPE
4 PLACES ± 0.2	INITIAL REVISION:		2019/04/22		PSD	DOC PART
3 PLACES ± 0.2	DRWN: RWATANABE01		2020/09/28		000	REVISION
2 PLACES ± 0.2	APPR: SAKIYAMA				B	
1 PLACE ± 0.2	DRAFT WHERE APPLICABLE MUST REMAIN WITHIN DIMENSIONS		THIRD ANGLE PROJECTION		SHEET NUMBER	
0 PLACES ± 0.2	DRAWING		SERIES		GENERAL	
A3-SIZE		51164		1 OF 2		

△ 適合製品及び各種仕様書
APPLICABLE PRODUCTS AND VARIOUS SPECIFICATIONS

梱包仕様書 PACKAGING SPECIFICATION	PART NUMBER	SPECIFICATION NUMBER
	51164**05	511649200-SPK PS 200

適合端子 APPLICABLE TERMINAL	PART NUMBER	PLATING TYPE	WIRE SIZE(AWG)
	507528200	TIN	#20-#22
	507528400	TIN	#24-#26

適合ハウジング APPLICABLE HOUSING	51163		
シリーズ番号 SERIES No.			
適合嵌合相手 MATE WITH	THROUGH HOLE		
	VERTICAL	VERTICAL (FOR POTTING)	RIGHT ANGLE
	TIN PLATING		TIN PLATING
シリーズ番号 SERIES No.	53375	53517	53426
製品仕様書 PRODUCT SPECIFICATION	511630000-PS PS 000		
取扱説明書 APPLICATION SPECIFICATION	2166940000-AS PS 000		

製品嵌合図は各"適合嵌合相手"図面参照のこと
 MATING VIEW : REFER TO EACH "MATE WITH" PART DRAWING.

THIS DRAWING CONTAINS INFORMATION THAT IS PROPRIETARY TO MOLEX ELECTRONIC TECHNOLOGIES, LLC AND SHOULD NOT BE USED WITHOUT WRITTEN PERMISSION									
DIMENSION UNITS	SCALE	CURRENT REV DESC:			molex				
mm	NTS								
GENERAL TOLERANCES (UNLESS SPECIFIED)		EC NO: 728459			MINI-LOCK 2.5 SINGLE ROW RETAINER				
ANGULAR TOL ± 3.0 °		DRWN: RWATANABE01 2022/11/15							
4 PLACES ± 0.2	CHK'D: AIDA 2022/11/17			PRODUCT CUSTOMER DRAWING					
3 PLACES ± 0.2	APPR: SAKIYAMA 2022/11/17								
2 PLACES ± 0.2	INITIAL REVISION:			DOCUMENT NUMBER					
1 PLACE ± 0.2	DRWN: RWATANABE01 2019/04/22								
0 PLACES ± 0.2	APPR: SAKIYAMA 2020/09/28			511640000-SD PSD 000 B					
DRAFT WHERE APPLICABLE MUST REMAIN WITHIN DIMENSIONS		THIRD ANGLE PROJECTION	DRAWING						SERIES
			A3-SIZE	51164		GENERAL			2 OF 2