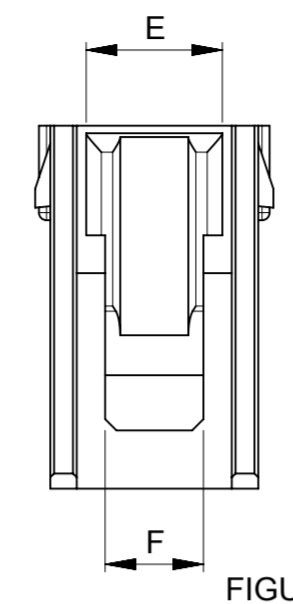
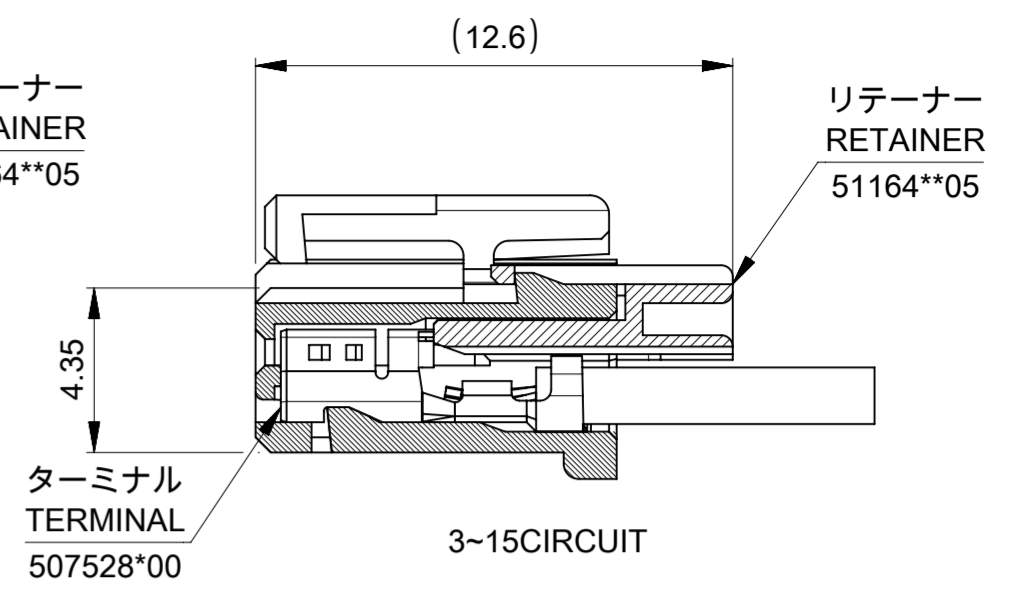
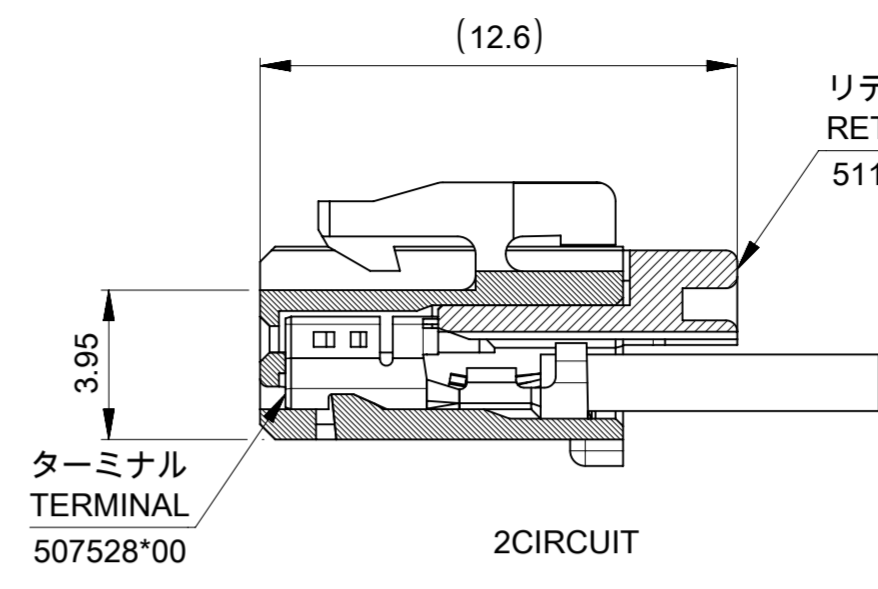


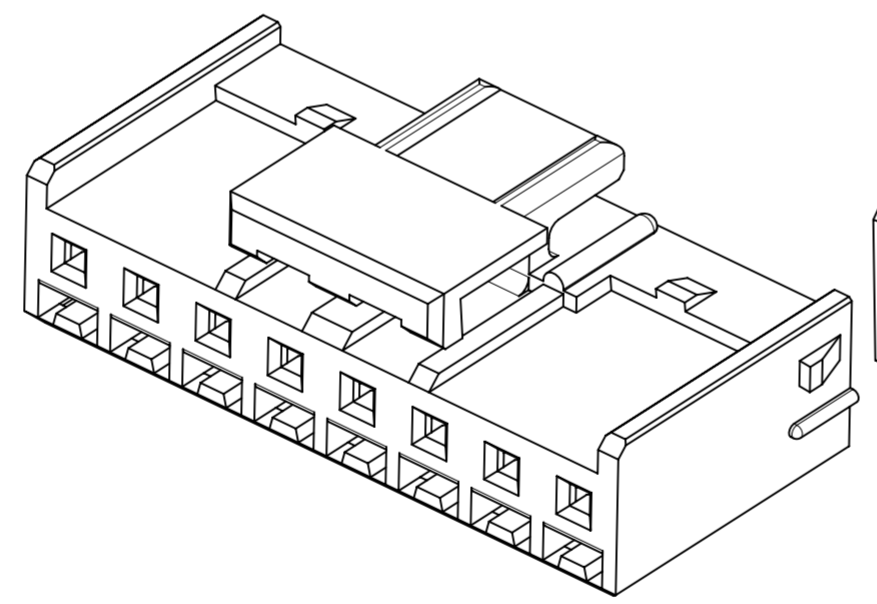
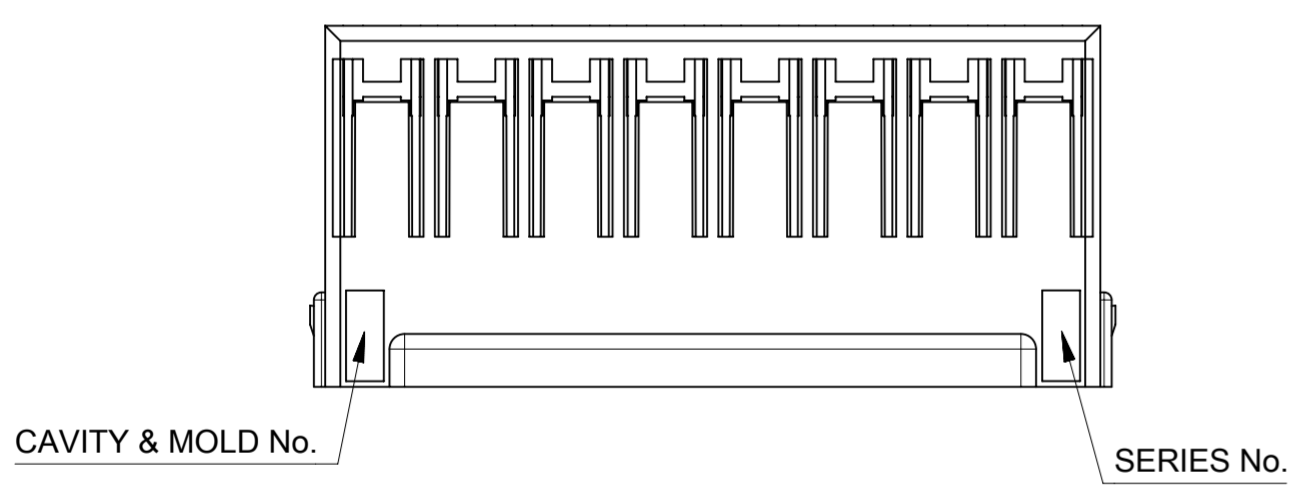
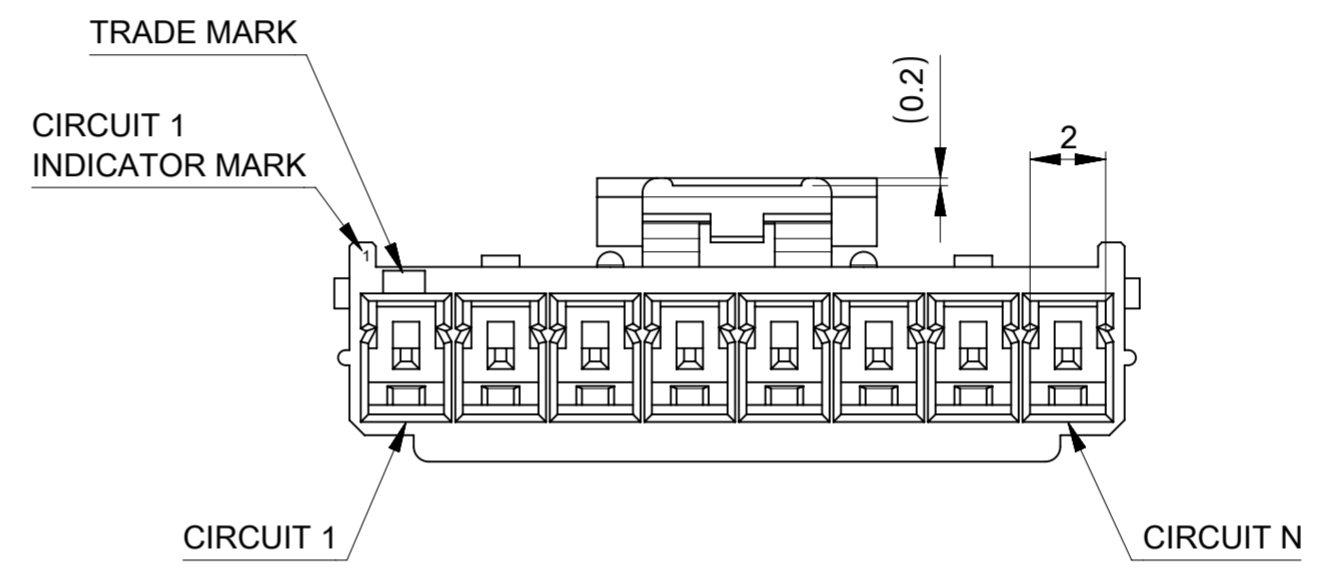
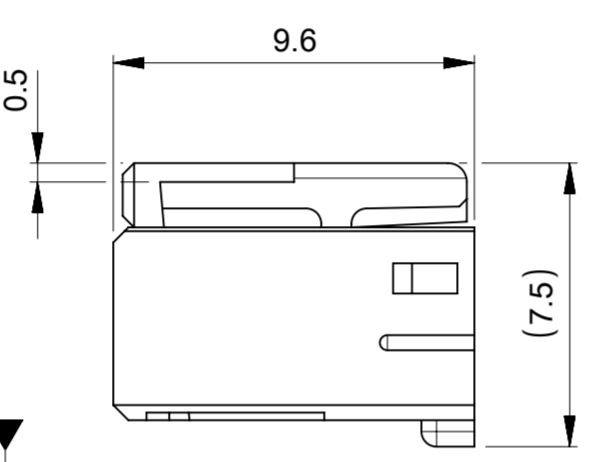
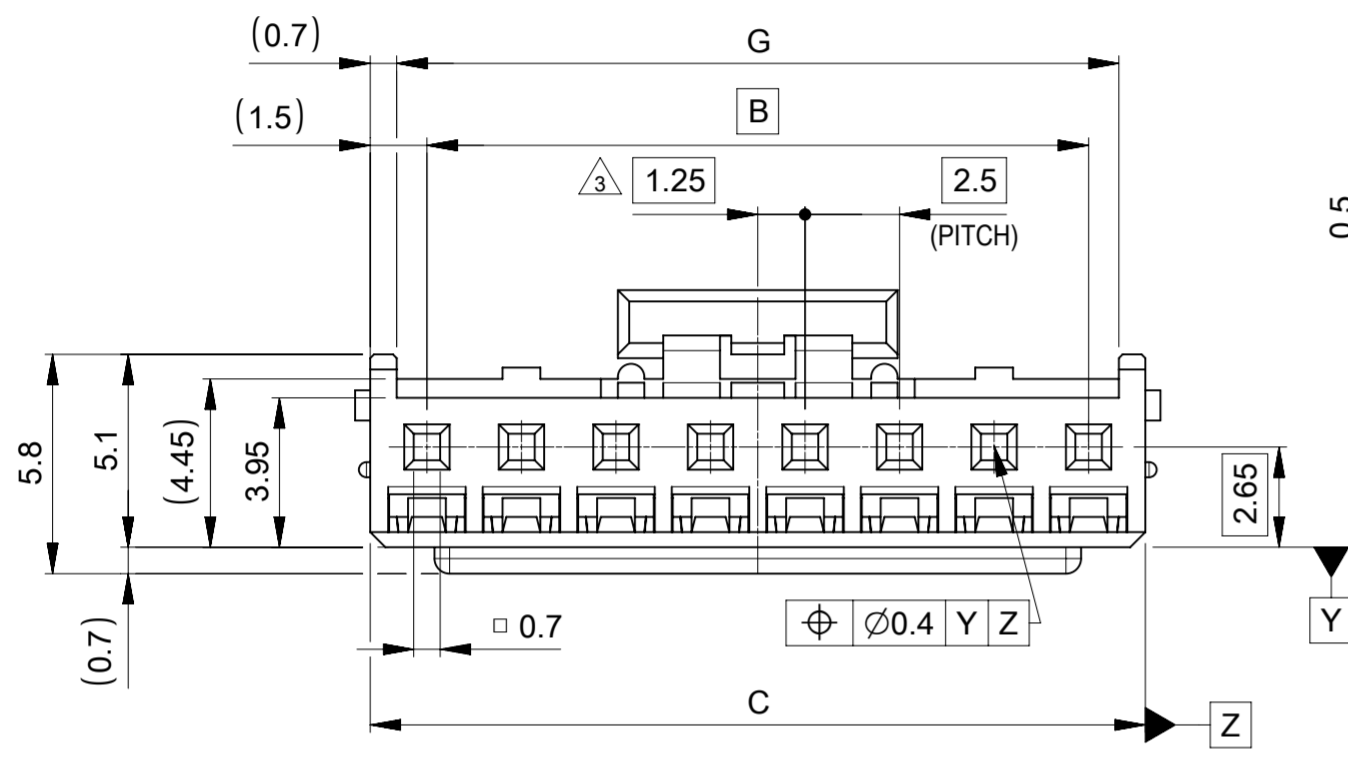
2極ロック形状
2CIRCUIT LOCK FORM



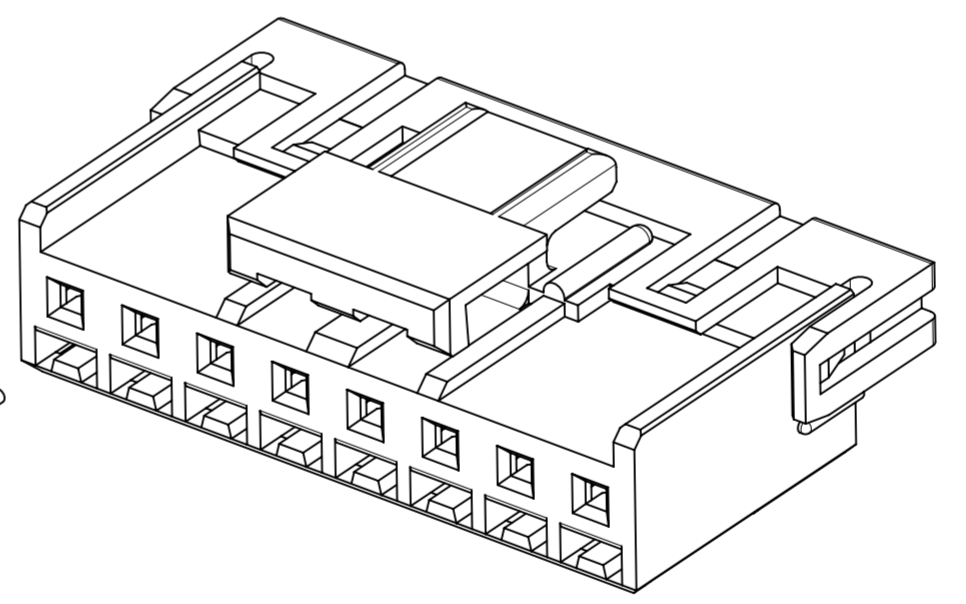
2極形状
FIGURE OF 2 CIRCUIT



ターミナル及びリテーナー装着状態図
TERMINAL AND RETAINER ASSEMBLY DRAWING



リテーナー未装着状態図
ASSEMBLY DRAWING



リテーナー装着状態図
RETAINER ASSEMBLY DRAWING

36.6	7.4	5	12.5	38	35	38.8	5116315**	15
34.1	7.4	5	12.5	35.5	32.5	36.3	5116314**	14
31.6	7.4	5	12.5	33	30	33.8	5116313**	13
29.1	7.4	5	12.5	30.5	27.5	31.3	5116312**	12
26.6	7.4	5	12.5	28	25	28.8	5116311**	11
24.1	7.4	5	12.5	25.5	22.5	26.3	5116310**	10
21.6	7.4	5	12.5	23	20	23.8	5116309**	9
19.1	7.4	5	12.5	20.5	17.5	21.3	5116308**	8
16.6	7.4	5	-	18	15	18.8	5116307**	7
14.1	7.4	5	-	15.5	12.5	16.3	5116306**	6
11.6	7.4	5	-	13	10	13.8	5116305**	5
9.1	7.4	5	-	10.5	7.5	11.3	5116304**	4
6.6	5	3	-	8	5	8.8	5116303**	3
4.1	2.6	3.6	-	5.5	2.5	6.3	5116302**	2
G	F	E	D	C	B	(A)	発注番号 ORDER No.	極数 CIRCUIT SIZE

- NOTE
- △ 材料：TABLE1参照
MATERIAL:SEE TABLE1
 - △ 適合ハウジング, 嵌合相手, 関連ドキュメントについてはSHEET 2 を御参照ください。
PLEASE REFER TO SHEET 2 FOR APPLICABLE HOUSING, MATING PARTNER AND RELATED DOCUMENTS.
 - △ 偶数極に適用
APPLY FOR EVEN CIRCUIT.
 - 4. 本製品のプラスチック部に黒点等が確認される場合や、色合いが異なる場合が御座いますが、製品性能に影響は御座いません
THERE IS NO INFLUENCE IN THE PRODUCT PERFORMANCE IN CASE THAT THE BLACK SPOT OR BUBBLE ETC. MIGHT BE APPEARED ON THE PLASTIC PART OF THIS PRODUCT AND THE COLOR SHADE MIGHT BE DIFFERENT.
 - 5. GLOW WIRE TEST適合品
THIS PRODUCT IS GLOW WIRE TEST COMPATIBLE.

△ TABLE1

部品 PART	材質 MATERIAL
ハウジング HOUSING	51163**00 ポリエステル(PBT):ガラス非含有,UL94V-0,色:ナチュラル(白) POLYESTER(PBT):GLASS UNFILLED,UL94V-0,COLOR:NATURAL(WHITE)
	51163**41 ポリアミド(PA):ガラス非含有,UL94V-0,色:黒 POLYAMIDE(PA):GLASS UNFILLED,UL94V-0,COLOR:BLACK

DOCUMENT STATUS	P1	RELEASE DATE	2023/05/15 02:57:18
-----------------	----	--------------	---------------------

THIS DRAWING CONTAINS INFORMATION THAT IS PROPRIETARY TO MOLEX ELECTRONIC TECHNOLOGIES, LLC AND SHOULD NOT BE USED WITHOUT WRITTEN PERMISSION

DIMENSION UNITS mm	SCALE NTS	CURRENT REV DESC:	molex					
GENERAL TOLERANCES (UNLESS SPECIFIED)	ANGULAR TOL ± 3.0°	EC NO: 652870						
4 PLACES ± 0.2	DRWN: MIKEDA01	2023/03/27	MINI-LOCK 2.5 SINGLE ROW RECEPTACLE HOUSING WITH RETAINER					
3 PLACES ± 0.2	CHK'D: SAKIYAMA	2023/05/11						
2 PLACES ± 0.2	APPR: AIDA	2023/05/15	PRODUCT CUSTOMER DRAWING					
1 PLACE ± 0.2	INITIAL REVISION:							
0 PLACES ± 0.2	DRWN: RWATANABE01	2019/04/22	DOCUMENT NUMBER	DOC TYPE	DOC PART	REVISION		
DRAFT WHERE APPLICABLE MUST REMAIN WITHIN DIMENSIONS	THIRD ANGLE PROJECTION	DRAWING	51163000-SD			PSD	000	B
		SERIES	MATERIAL NUMBER	CUSTOMER	SHEET NUMBER			
		A2-SIZE	51163	GENERAL	1 OF 2			

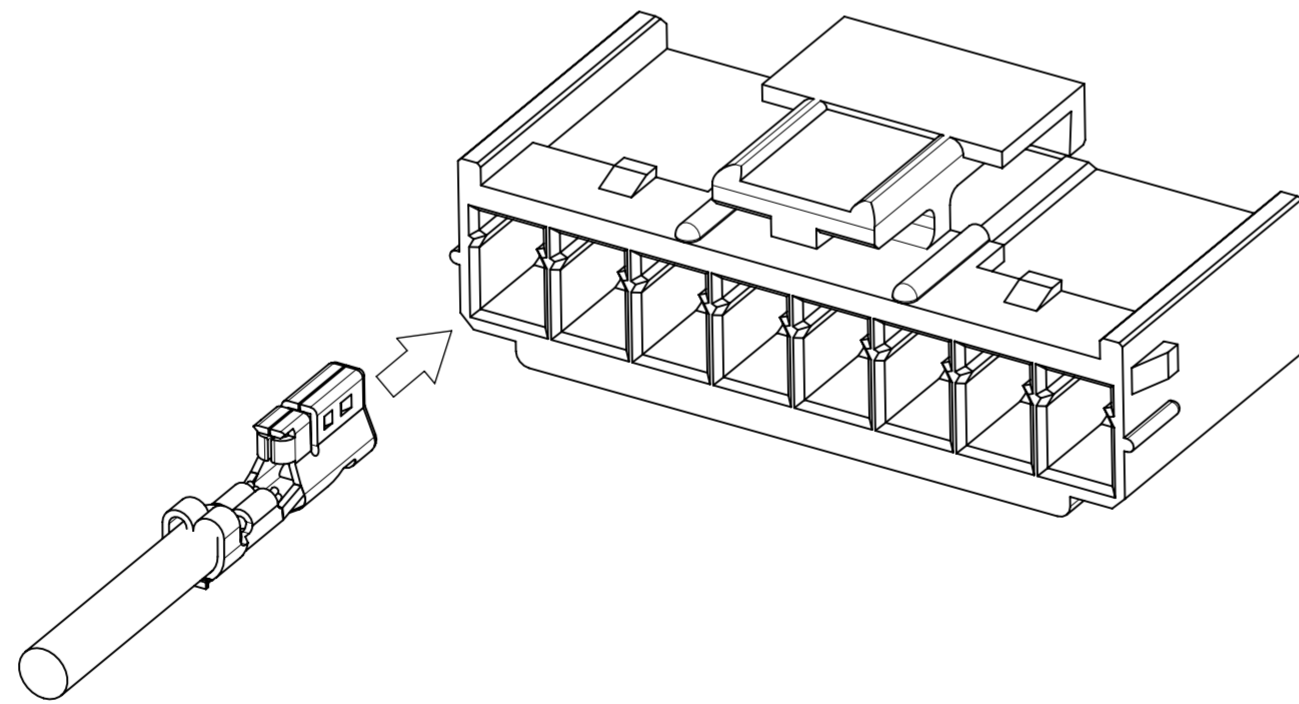
△ 適合製品及び各種仕様書
 APPLICABLE PRODUCT AND VARIOUS SPECIFICATIONS

梱包仕様書 PACKAGING SPECIFICATION	PART NUMBER	SPECIFICATION NUMBER
	51163**0*	511639200-SPK 200

適合端子 APPLICABLE TERMINAL	PART NUMBER	PLATING TYPE	WIRE SIZE(AWG)
	507528200	TIN	#20-#22
	507528400	TIN	#24-#26

適合リテーナー APPLICABLE RETAINER	51164			
シリーズ番号 SERIES No.				
適合嵌合相手 MATE WITH	THROUGH HOLE		SURFACE MOUNT	
	VERTICAL	VERTICAL (FOR POTTING)	RIGHT ANGLE	VERTICAL
	TIN PLATING		TIN PLATING	TIN PLATING
	53375 53476	53517	53426	215931 215932
製品仕様書 PRODUCT SPECIFICATION	511630000-PS PS 000			
取扱説明書 APPLICATION SPECIFICATION	2166940000-AS PS 000			

製品嵌合図は各"適合嵌合相手"図面参照のこと
 MATING VIEW : REFER TO EACH "MATE WITH" PART DRAWING.

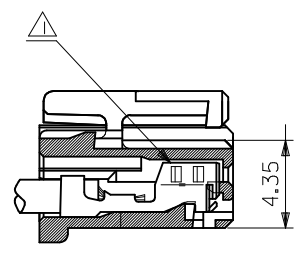
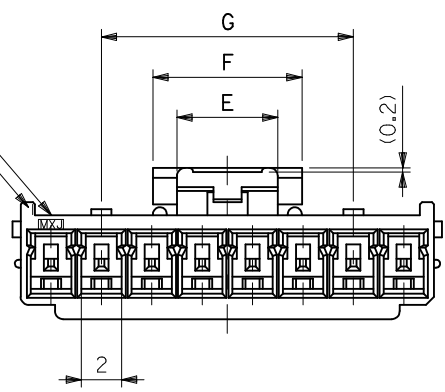


圧着ケーブル挿入方向
 HARNESS ASSY INSERTION DIRECTION

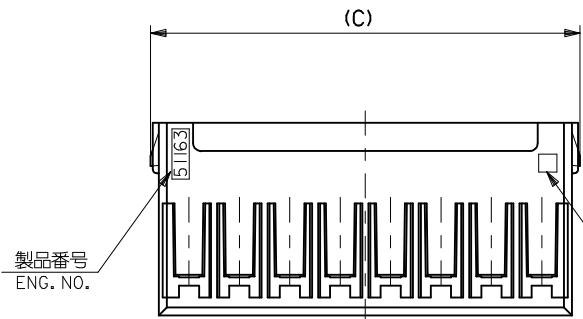
黒 BLACK	ナチュラル(白) NATURAL(WHITE)	ハウジング色 HOUSING COLOR
PA GF0, UL94 V-0	PBT GF0, UL94 V-0	樹脂種 RESIN TYPE
511631541	511631500	15
511631441	511631400	14
511631341	511631300	13
511631241	511631200	12
511631141	511631100	11
511631041	511631000	10
511630941	511630900	9
511630841	511630800	8
511630741	511630700	7
511630641	511630600	6
511630541	511630500	5
511630441	511630400	4
511630341	511630300	3
511630241	511630200	2
発注番号 ORDER NO.		極数 CIRCUIT SIZE

THIS DRAWING CONTAINS INFORMATION THAT IS PROPRIETARY TO MOLEX ELECTRONIC TECHNOLOGIES, LLC AND SHOULD NOT BE USED WITHOUT WRITTEN PERMISSION									
DIMENSION UNITS	SCALE	CURRENT REV DESC:							
mm	NTS	molex MINI-LOCK 2.5 SINGLE ROW RECEPTACLE HOUSING WITH RETAINER PRODUCT CUSTOMER DRAWING							
GENERAL TOLERANCES (UNLESS SPECIFIED)									
ANGULAR TOL	± 3.0°	EC NO: 652870	2023/03/27	DOCUMENT NUMBER					
4 PLACES	± 0.2	DRWN: MIKEDA01	2023/05/11	511630000-SD		DOC TYPE	DOC PART	REVISION	
3 PLACES	± 0.2	CHK'D: SAKIYAMA	2023/05/15	PSD		000	B		
2 PLACES	± 0.2	APPR: AIDA		MATERIAL NUMBER		CUSTOMER		SHEET NUMBER	
1 PLACE	± 0.2	INITIAL REVISION:	2019/04/22	51163		GENERAL		2 OF 2	
0 PLACES	± 0.2	DRWN: RWATANABE01	2020/09/28						
DRAFT WHERE APPLICABLE MUST REMAIN WITHIN DIMENSIONS		THIRD ANGLE PROJECTION	DRAWING	SERIES					
			A2-SIZE	51163					

△
トレードマーク
TRADE MARK
回路番号 1
CIRCUIT NO.1



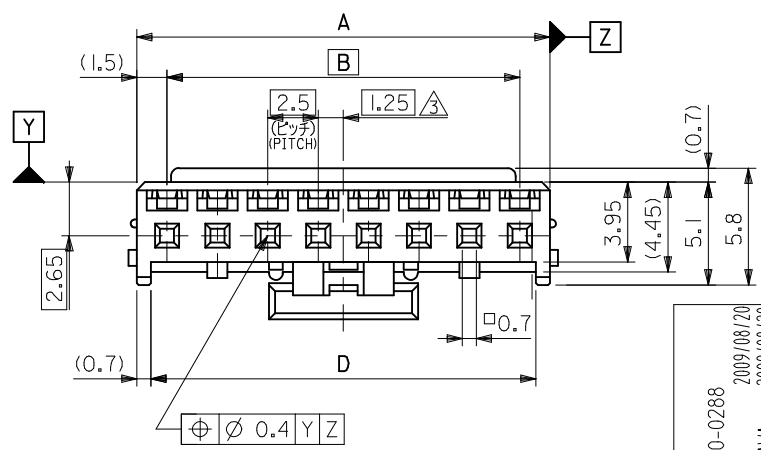
ターミナル装着状態図
TERMINAL ASSEMBLY DRAWING



△
キャビティー番号
及び金型番号
CAVITY NO.
AND MODEL NO.

製品番号
ENG. NO.

12.5	7.4	5	36.6	38.8	35	38	51163-158*	15
↑	↑	↑	34.1	36.3	32.5	35.5	↑ -148*	14
			31.6	33.8	30	33	↑ -138*	13
			29.1	31.3	27.5	30.5	↑ -128*	12
			26.6	28.8	25	28	↑ -118*	11
			24.1	26.3	22.5	25.5	↑ -108*	10
↓			21.6	23.8	20	23	↑ -098*	9
12.5			19.1	21.3	17.5	20.5	↑ -088*	8
			16.6	18.8	15	18	↑ -078*	7
			14.1	16.3	12.5	15.5	↑ -068*	6
			11.6	13.8	10	13	↑ -058*	5
	7.4	5	9.1	11.3	7.5	10.5	↑ -048*	4
	5	3	6.6	8.8	5	8	↑ 51163-038*	3
G	F	E	D	(C)	B	A	MATERIAL AND ORDER No. △	CIRCUIT No.



REVISED
EC NO: J2010-0288
DRWN: YG010 2009/08/20
CHKD: KASAKAWA 2009/08/20
APPR: NUKITA 2009/08/24

DESCRIPTION
GENERAL TOLERANCES (UNLESS SPECIFIED)
10 UNDER ±0.2
10 OVER 30 UNDER ±0.25
30 OVER ±0.3
ANGULAR ±3 °
DRAFT WHERE APPLICABLE MUST REMAIN WITHIN DIMENSIONS

DIMENSION STYLE
MM ONLY
DRAWN BY K. HARADA
DATE 1997/10/2
CHECKED BY T. ITO
DATE 1997/11/12
APPROVED BY M. FUKUSHIMA
DATE 1997/11/12
MATERIAL NO.
ENTER PART

SCALE 4:1
DESIGN UNITS METRIC
THIRD ANGLE PROJECTION
TITLE 2.5 W/B CONN HSG (POSITIVE LOCK)
MOLEX MOLEX INCORPORATED
DOCUMENT NO. SD-51163-**-00
SHEET NO. 1 OF 2
THIS DRAWING CONTAINS INFORMATION THAT IS PROPRIETARY TO MOLEX INCORPORATED AND SHOULD NOT BE USED WITHOUT WRITTEN PERMISSION

注記 NOTES

- △1 適合ターミナル：5035I-8*00
APPLICABLE TERMINAL : 5035I-8*00
- 2. 嵌合相手：53375,53426 シリーズ
MATE WITH : 53375,53426 SERIES
- △3 偶数極の製品に適用。
APPLY EVEN CIRCUIT PRODUCTS.
- △4 トレードマーク：Mプラス 1 ~ 2 文字のアルファベットにて構成。(例 MXJ)
但し "J" は JAPAN を示す。
FORMED BY M AND 1 ~ 2 MORE LETTER OF ALPHABET (e.g. MXJ)
(TO TRADE MARK), BUT "J" SHOW JAPAN.
- △5 キャビティー番号：1桁~2桁の数字
金型番号：アルファベット1文字にて構成。(例, 1A, 10B)
FORMED BY 1 DIGIT TO 2 DIGIT NUMBERS (TO CAVITY
NO.) AND BY 1 LETTER OF ALPHABET (TO MOLD NO.).
(e.g. 1A, 10B)
- △6 MATERIAL AND ORDER No.
51163-**00
極数
CIRCUIT SIZE
- 7. 材料:PBT, UL 94V-0
- 8. 色:白 WHITE (NATURAL)



REVISED
EC NO:
DRWN:YGOTO
CHKD:KASAKAWA
APPR:
2009/08/20

DESCRIPTION	GENERAL TOLERANCES (UNLESS SPECIFIED)		DIMENSION STYLE MM ONLY	SCALE 4:1	DESIGN UNITS METRIC	THIRD ANGLE PROJECTION
	10 UNDER	±0.2	DRAWN BY K. HARADA	DATE 1997/10/2	TITLE 2.5 W/B CONN HSG (POSITIVE LOCK)	
REV	10 OVER 30 UNDER	±0.25	CHECKED BY T. ITO	DATE 1997/11/12	MOLEX INCORPORATED	
	30 OVER	±0.3	APPROVED BY M. FUKUSHIMA	DATE 1997/11/12	DOCUMENT NO. SD-51163-**00	SHEET NO. 2 OF 2
ANGULAR ±3 ° DRAFT WHERE APPLICABLE MUST REMAIN WITHIN DIMENSIONS			ENTER PART		THIS DRAWING CONTAINS INFORMATION THAT IS PROPRIETARY TO MOLEX INCORPORATED AND SHOULD NOT BE USED WITHOUT WRITTEN PERMISSION	
SIZE A3						