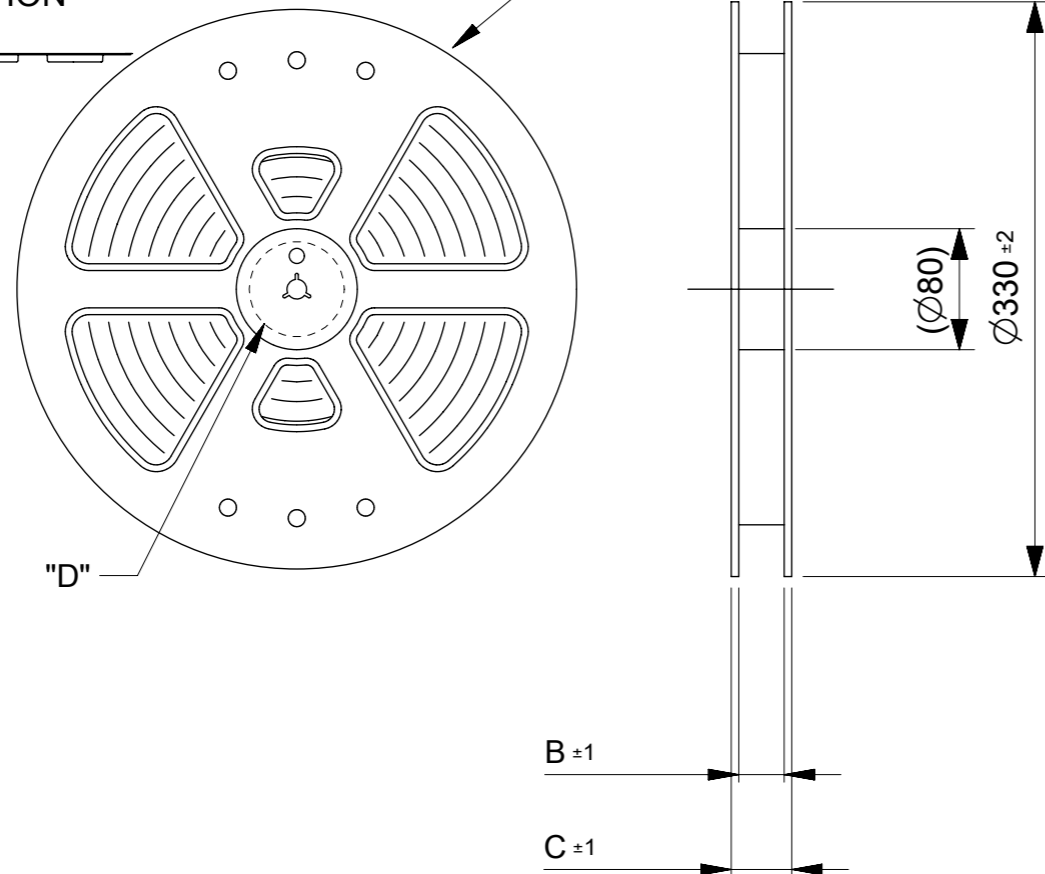
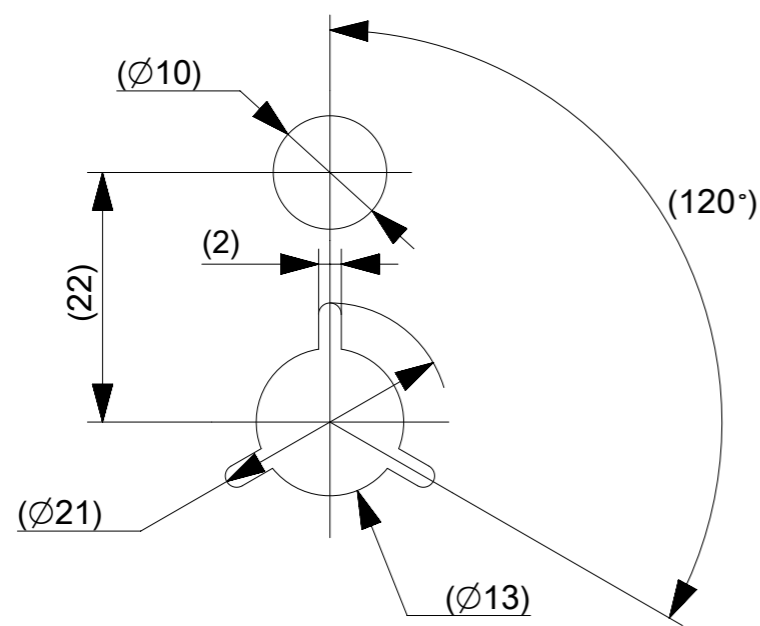


PULL OUT DIRECTION

REEL



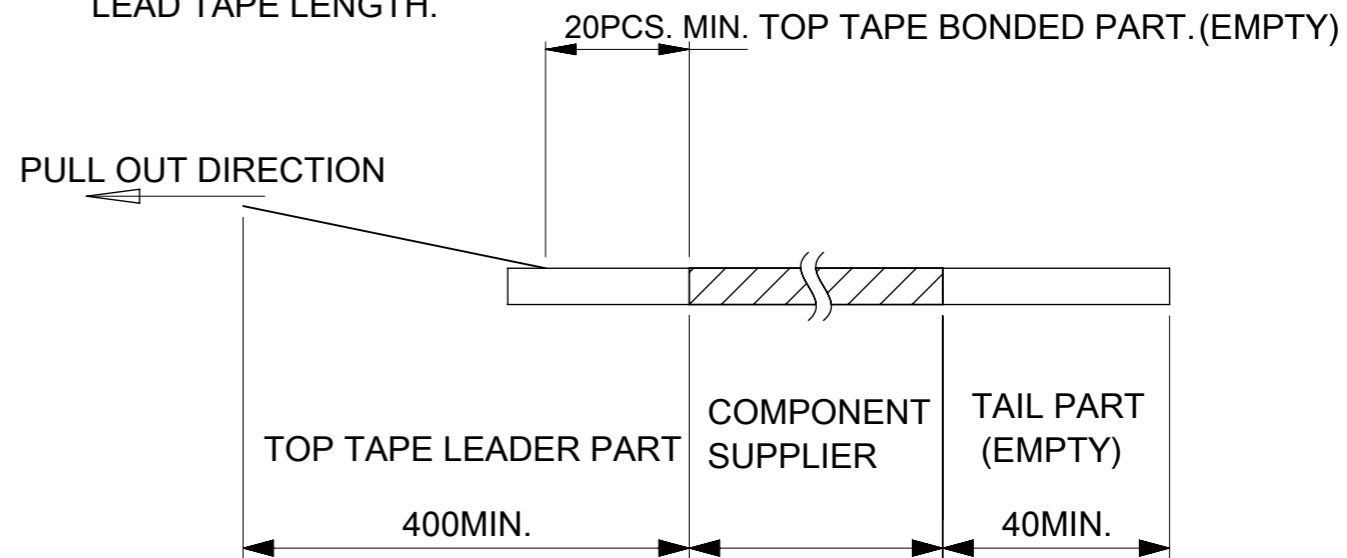
"D"



DETAIL "D"

NOTES

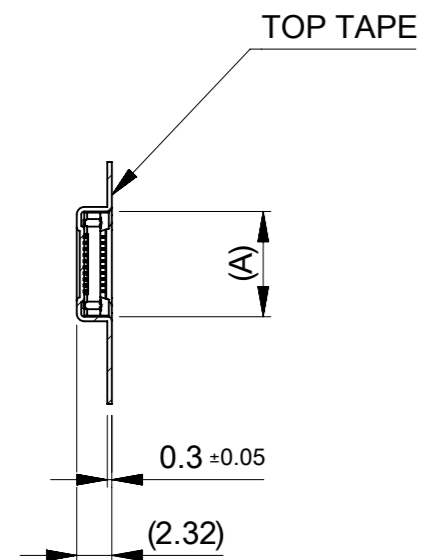
1. RE DETAILED DIMENSION, SEE PRODUCT DRAWING.
2. NUMBER OF CONNECTORS : 3000 PCS/REEL.
3. LEAD TAPE LENGTH.



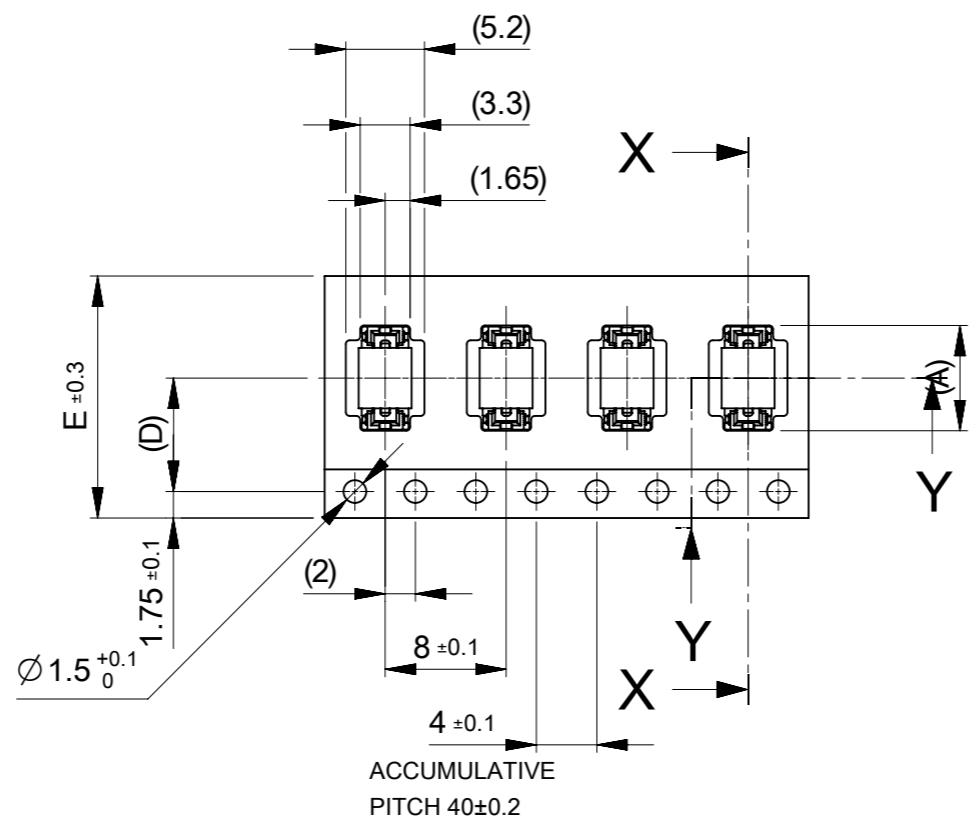
4. TOP TAPE PEEL FORCE IS DEFINED BY IEC60286-3
5. MATERIAL
 CARRIER TAPE : POLYSTYRENE
 TOP TAPE : PET , OTHER
 REEL : POLYSTYRENE(PS)(RECYCLE MATERIAL CONTAINED)

THIS DRAWING CONTAINS INFORMATION THAT IS PROPRIETARY TO MOLEX ELECTRONIC TECHNOLOGIES, LLC AND SHOULD NOT BE USED WITHOUT WRITTEN PERMISSION		CURRENT REV DESC:		molex			
DIMENSION UNITS	SCALE						
mm	1:5			0.4 FLOATING BOARD TO BOARD CONN. H=3 FSB3 REC EMBOSSTAPE PKG			
GENERAL TOLERANCES (UNLESS SPECIFIED)		EC NO: 663038		PRODUCT CUSTOMER DRAWING			
ANGULAR TOL ± 1.0°		DRWN: AHMADI2 2020/12/21		DOCUMENT NUMBER			
4 PLACES ± 0.01		CHK'D: TKON 2021/05/21		2049270000-SD			
3 PLACES ± 0.03		APPR: SHOSHIKAWA 2021/05/21		DOC TYPE			
2 PLACES ± 0.05		INITIAL REVISION:		DOC PART			
1 PLACE ± 0.1		DRWN: JFURUKAWA 2019/01/31		000			
0 PLACES ± 0.2		APPR: SHOSHIKAWA 2020/05/20		REVISION			
DRAFT WHERE APPLICABLE MUST REMAIN WITHIN DIMENSIONS		THIRD ANGLE PROJECTION	DRAWING	SERIES	MATERIAL NUMBER	CUSTOMER	SHEET NUMBER
			A3-SIZE	204927	SEE CHART	GENERAL	1 OF 2

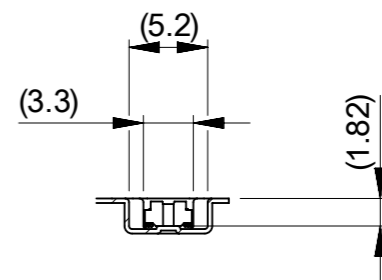
PULL OUT DIRECTION



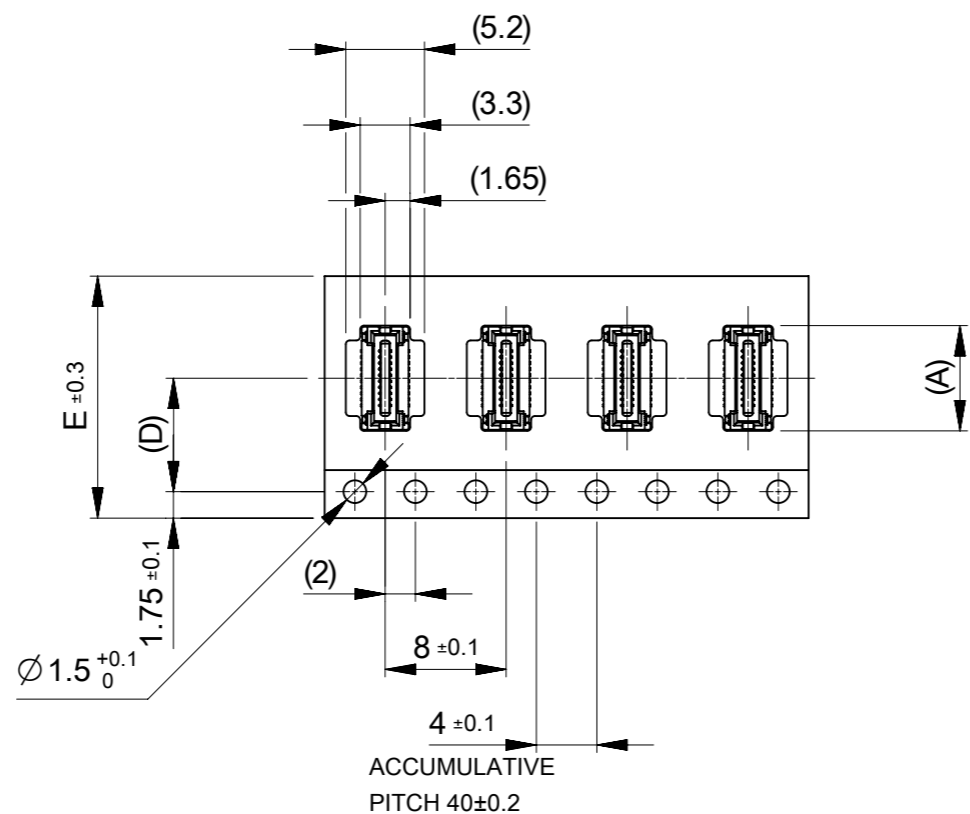
SECTION X-X



2049270**1 (WITH COVER TAPE)



SECTION Y-Y

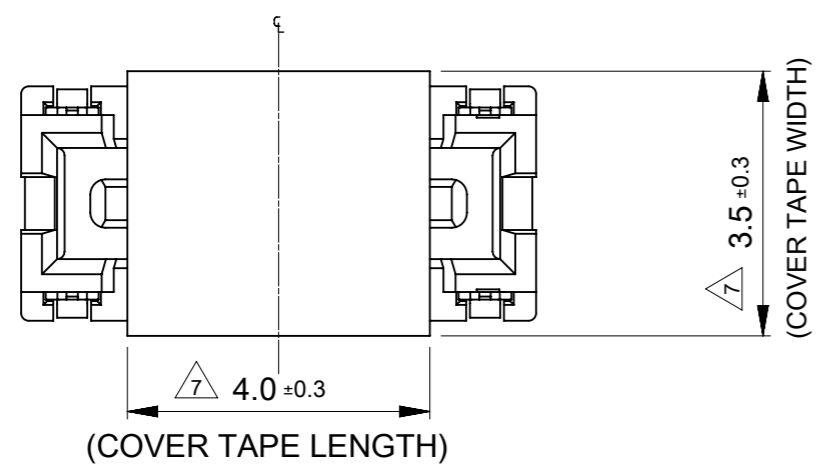
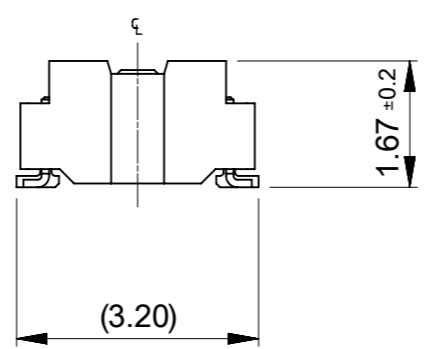
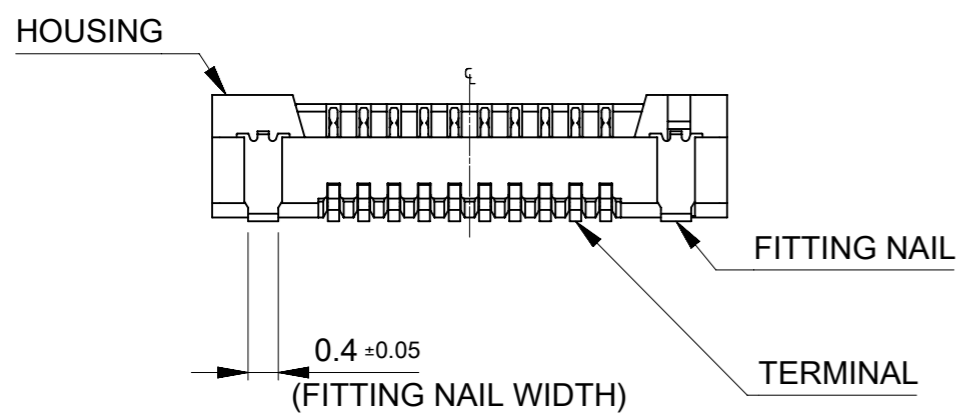
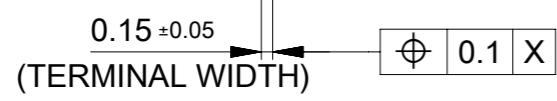
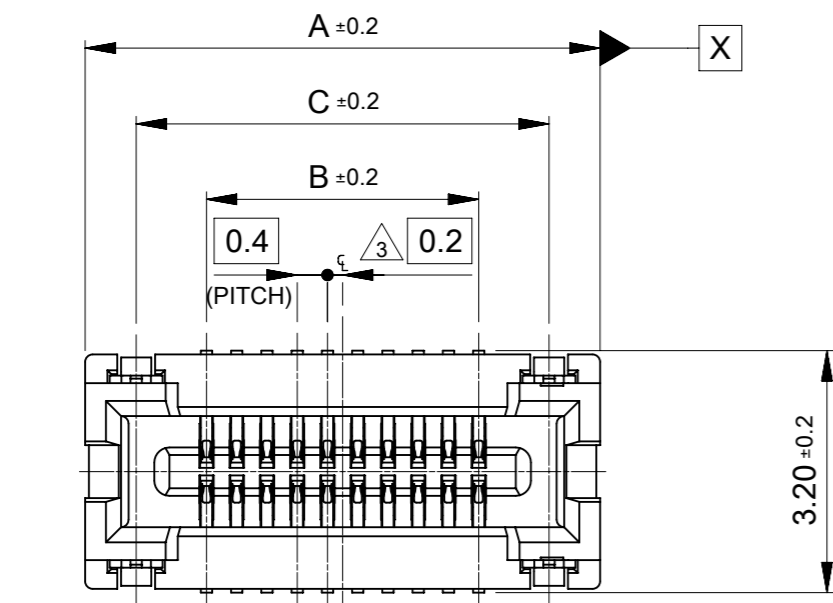


2049270**2 (WITHOUT COVER TAPE)

24	11.5	29.4	25.4	14.96	2049270602	2049270601	60
				12.96	2049270502	2049270501	50
				10.96	2049270402	2049270401	40
				8.96	2049270302	2049270301	30
16	7.5	21.4	17.4	6.96	2049270202	2049270201	20
E	(D)	C	B	(A)	WITHOUT COVER TAPE	WITH COVER TAPE	CIRCUIT
ORDER No.							

THIS DRAWING CONTAINS INFORMATION THAT IS PROPRIETARY TO MOLEX ELECTRONIC TECHNOLOGIES, LLC AND SHOULD NOT BE USED WITHOUT WRITTEN PERMISSION

DIMENSION UNITS mm	SCALE 2:1	CURRENT REV DESC:		molex			
GENERAL TOLERANCES (UNLESS SPECIFIED)		EC NO: 663038					
ANGULAR TOL ± 1.0°	4 PLACES ± 0.01	DRWN: AHMADI2 2020/12/21		PRODUCT CUSTOMER DRAWING			
3 PLACES ± 0.03	2 PLACES ± 0.05	CHK'D: TKON 2021/05/21		DOCUMENT NUMBER			
1 PLACE ± 0.1	0 PLACES ± 0.2	APPR: SHOSHIKAWA 2021/05/21		2049270000-SD		DOC TYPE	DOC PART
INITIAL REVISION:		DRWN: JFURUKAWA 2019/01/31		204927		PSD	000
MATERIAL NUMBER		APPR: SHOSHIKAWA 2020/05/20		SERIES		REVISION	
CUSTOMER		THIRD ANGLE PROJECTION		DRAWING		SHEET NUMBER	
GENERAL		DRAWING		A3-SIZE		2 OF 2	



COVER TAPE LAYOUT

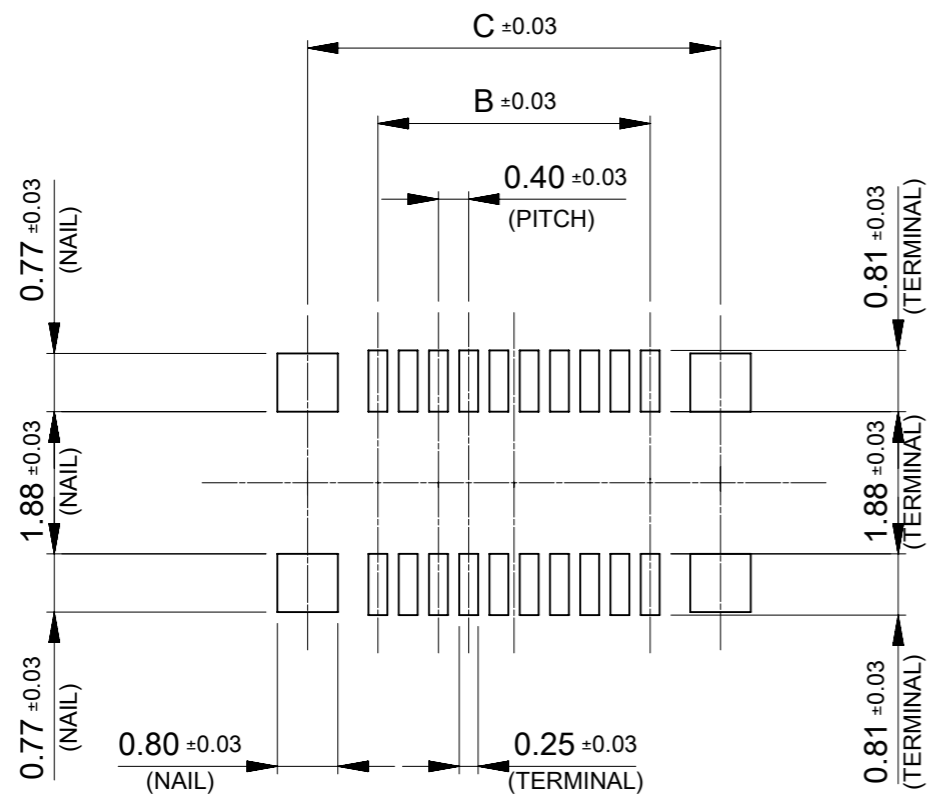
NOTES

- 1 MATERIAL
HOUSING: LIQUID CRYSTAL POLYMER UL94V-0 (COLOR :BLACK)
TERMINAL: COPPER ALLOY
FITTING NAIL: COPPER ALLOY
COVER TAPE: POLYIMIDE
- 2 PLATING
TERMINAL :
CONTACT AREA: GOLD PLATING.
SOLDER TAIL AREA: GOLD PLATING.
UNDERPLATING: NICKEL OVERALL.
*DIVIDE INTO PARTS THE GOLD PLATING OF CONTACT AREA AND TAIL AREA BY THE NICKEL PLATING.
FITTING NAIL:
SURFACE:TIN OVERALL
UNDERPLATING: NICKEL OVERALL.
- 3 APPLY FOR (CIRCUIT/2)=EVEN.
- 4 MATE WITH :204928****
- 5 TAIL AND FITTING NAIL COPLANARITY TO BE 0.1MAXIMUM.
- 6 STACK HEIGHT IS KEPT FIXED BY SPACER.
- 7 COMMON LENGTH TO ALL CIRCUIT.
- 8 THIS DIMENSION SHOWS THE DIMENSION BETWEEN SOLDERING SURFACE OF SOLDER TAILS.

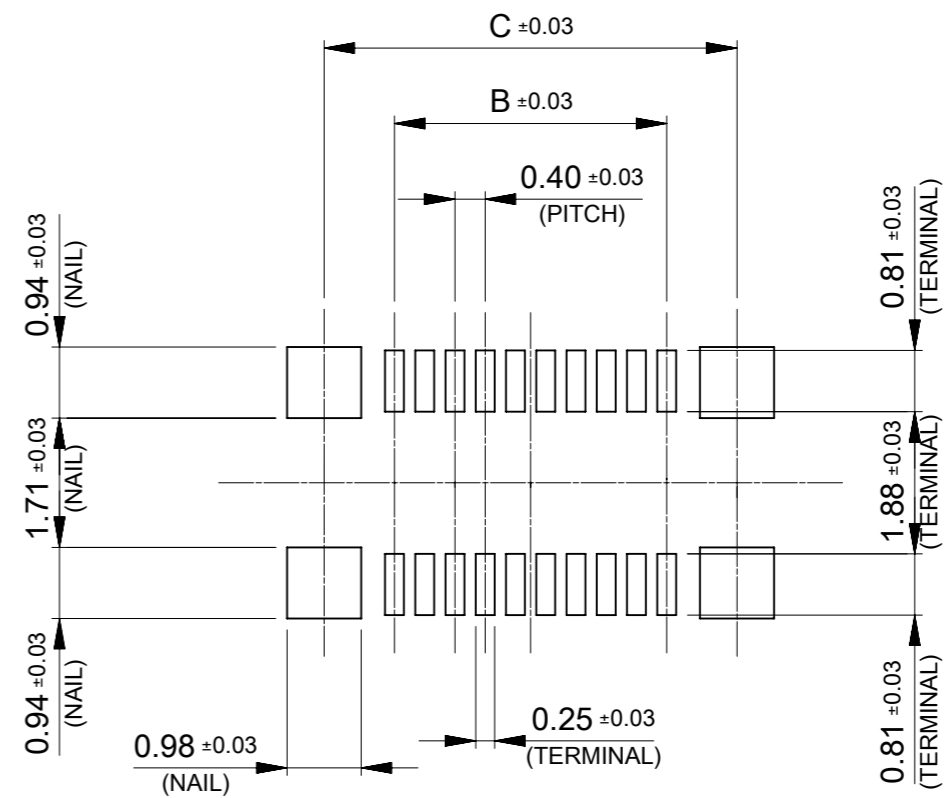
13.46	11.6	14.81	2049270602	2049270601	60
11.46	9.6	12.81	2049270502	2049270501	50
9.46	7.6	10.81	2049270402	2049270401	40
7.46	5.6	8.81	2049270302	2049270301	30
5.46	3.6	6.81	2049270202	2049270201	20
C	B	A	WITHOUT COVER TAPE	WITH COVER TAPE	CIRCUIT
			EMBOSSED TAPE PACKAGE		
			ORDER NO.		

THIS DRAWING CONTAINS INFORMATION THAT IS PROPRIETARY TO MOLEX ELECTRONIC TECHNOLOGIES, LLC AND SHOULD NOT BE USED WITHOUT WRITTEN PERMISSION

DIMENSION UNITS mm	SCALE 10:1	CURRENT REV DESC:		molex		
GENERAL TOLERANCES (UNLESS SPECIFIED)		EC NO: 758037				
ANGULAR TOL ± 3.0°	4 PLACES ± 0.03	DRWN: KYHWANG	2023/07/28	PRODUCT CUSTOMER DRAWING		
3 PLACES ± 0.03	2 PLACES ± 0.05	CHK'D: SMARUYAMA	2023/08/01	DOCUMENT NUMBER		
1 PLACE ± 0.1	0 PLACES ± 0.2	APPR: YNAITO	2023/08/01	2049271000-SD		
DRAFT WHERE APPLICABLE MUST REMAIN WITHIN DIMENSIONS		INITIAL REVISION:	2018/11/22	DOC TYPE	DOC PART	REVISION
THIRD ANGLE PROJECTION		DRWN: JFURUKAWA	2020/05/20	PSD	000	D
DRAWING		APPR: SHOSHIKAWA		CUSTOMER	SHEET NUMBER	
A3-SIZE		SERIES	204927	GENERAL	1 OF 2	

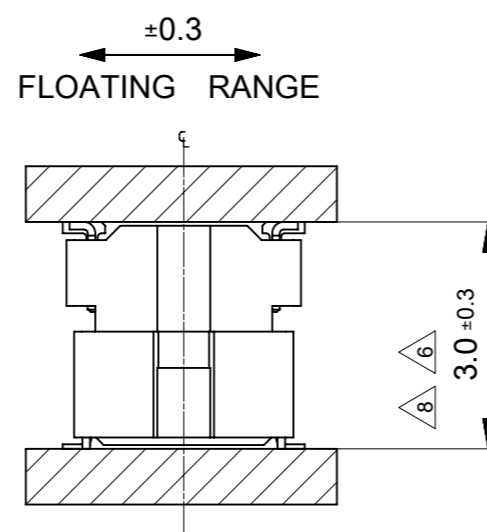
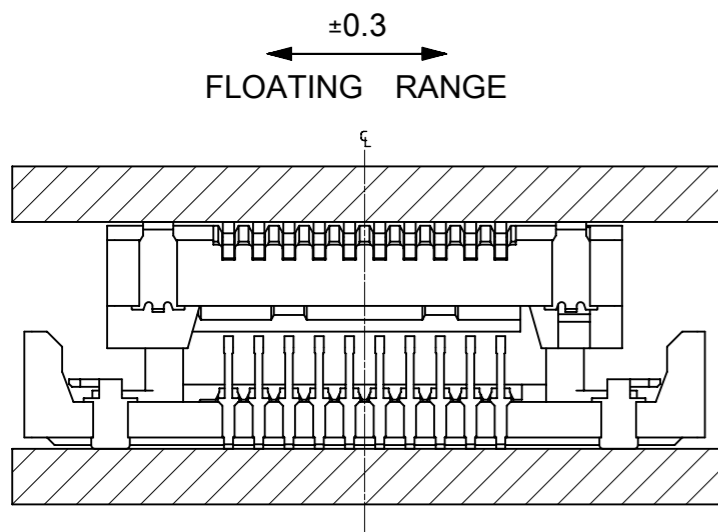


RECOMMENDED P.W. BOARD PATTERN LAYOUT(REFERENCE)



RECOMMENDED METAL MASK LAYOUT(REFERENCE)

RECOMMENDED THICKNESS OF METAL MASK : $t=0.1\text{mm}$
 RECOMMENDED OPEN APERTURE RATIO OF METAL MASK : TERMINAL 100%, NAIL 150%



THIS DRAWING CONTAINS INFORMATION THAT IS PROPRIETARY TO MOLEX ELECTRONIC TECHNOLOGIES, LLC AND SHOULD NOT BE USED WITHOUT WRITTEN PERMISSION		CURRENT REV DESC:		molex		
DIMENSION UNITS	SCALE					0.4 FLOATING BOARD TO BOARD CONN. H=3 FSB3 REC ASSY
mm	10:1			PRODUCT CUSTOMER DRAWING		
GENERAL TOLERANCES (UNLESS SPECIFIED)		EC NO: 758037		DOCUMENT NUMBER		
ANGULAR TOL ± 3.0°		DRWN: KYHWANG 2023/07/28		2049271000-SD		
4 PLACES ± 0.03		CHK'D: SMARUYAMA 2023/08/01		DOC TYPE DOC PART REVISION		
3 PLACES ± 0.03		APPR: YNAITO 2023/08/01		PSD 000 D		
2 PLACES ± 0.05		INITIAL REVISION:		MATERIAL NUMBER		
1 PLACE ± 0.1		DRWN: JFURUKAWA 2018/11/22		CUSTOMER		
0 PLACES ± 0.2		APPR: SHOSHIKAWA 2020/05/20		GENERAL		
DRAFT WHERE APPLICABLE MUST REMAIN WITHIN DIMENSIONS		THIRD ANGLE PROJECTION	DRAWING	SHEET NUMBER	SHEET NUMBER	
			A3-SIZE	204927	2 OF 2	