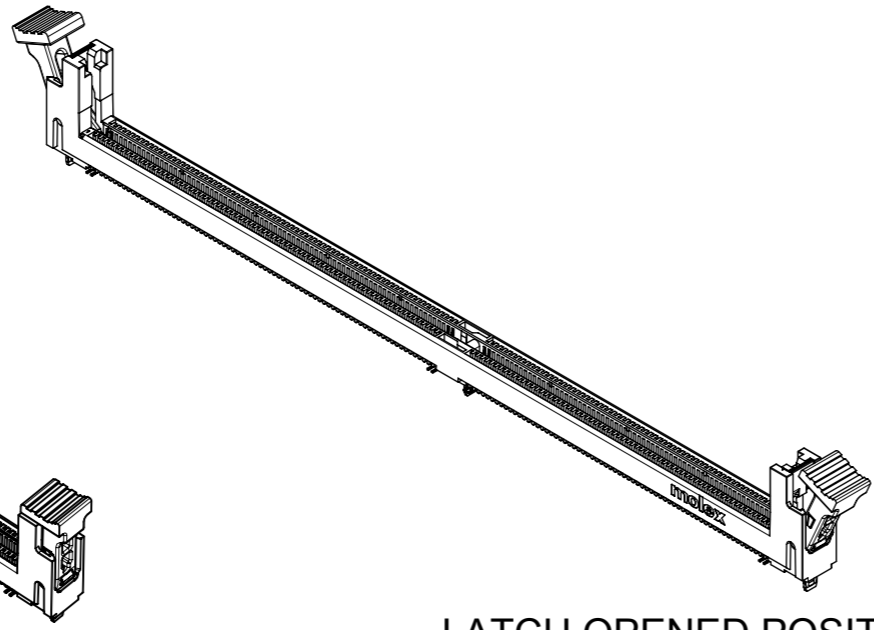
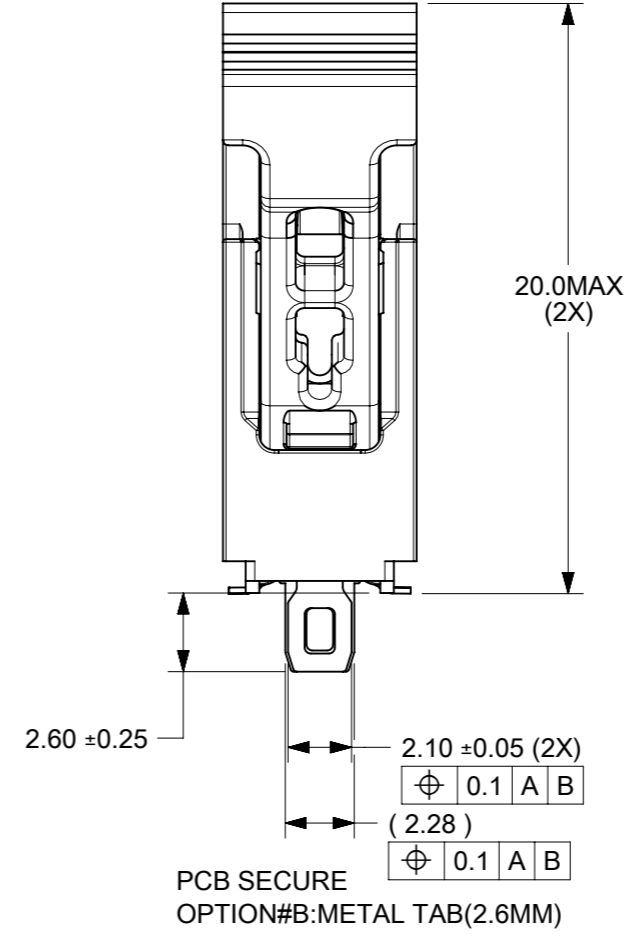
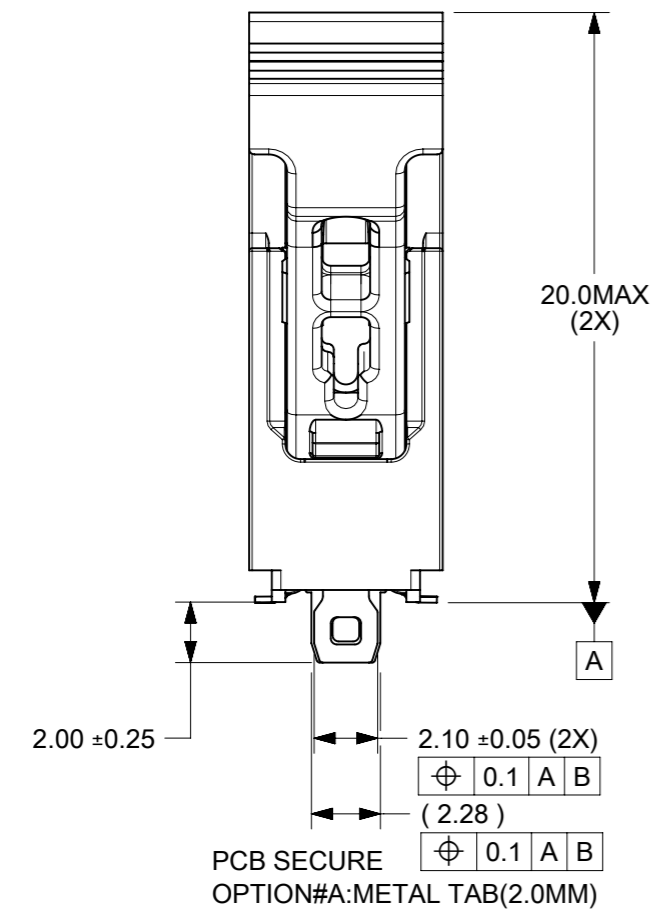
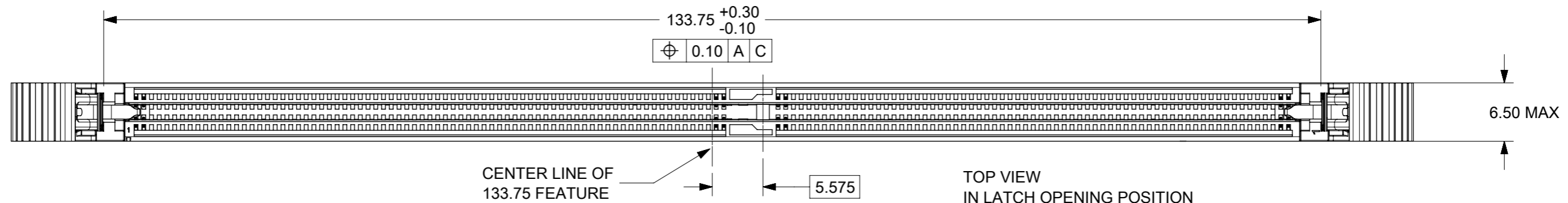


- NOTES:
- 1. MATERIAL : HOUSING - POLYAMIDE (PA), GLASS FILLED, UL 94 V-0.
COLOUR : SEE TABLE ON SHEET 6/7.
LATCH - POLYAMIDE (PA), GLASS FILLED, UL 94 V-0.
COLOUR : SEE TABLE ON SHEET 6/7.
TERMINAL: COPPER ALLOY.
 - 2. FINISHES - SEE TABLE ON SHEET 5.
 - 3. PRODUCT SPECIFICATION : SEE TABLE ON SHEET 5.
 - 4. PACKAGING SPECIFICATION: PRODUCT SHALL BE PACKED IN TRAY, SEE SHEET 5.
 - 5. CARD SLOT ACCEPTS 1.40±0.10MM MODULE THICKNESS (MEASURED OVER P.C. PADS).
 - 6. MOLEX LOGO, DATE & PART NO. INDICATED ON HOUSING.
 - 7. MODULE SEATING PLANE.
 - 8. KEEP OUT ZONE RESERVED FOR LATCH.
 - 9. KEEP OUT AREA IS THE AREA WHERE THE CONNECTOR (INCLUDES LATCHES IN OPENING POSITION) IS MOUNTED ON THE PCB.
 - 10. KAPTON TAPE TO BE ADHERED AT THIS LOCATION

THIS DESIGN IS BASED ON DESIGN OBJECTIVES AND IS STRICTLY TENTATIVE. IT MAY CHANGE BASED ON RESULTS OF ADDITIONAL DESIGN REVIEWS AND VERIFICATIONS.

THIS DRAWING CONTAINS INFORMATION THAT IS PROPRIETARY TO MOLEX ELECTRONIC TECHNOLOGIES, LLC AND SHOULD NOT BE USED WITHOUT WRITTEN PERMISSION												
DIMENSION UNITS		SCALE		CURRENT REV DESC: OBSOLETE OPTION AND ADD 2 OPTIONS							molex	
mm		NTS										
GENERAL TOLERANCES (UNLESS SPECIFIED)											DDR4 DIMM, 0.85MM PITCH, VERTICAL, SMT, 288CKT	
ANGULAR TOL ± 2.0°												
4 PLACES		±		EC NO: 744132								
3 PLACES		±		DRWN: LIMONL 2023/03/02								
2 PLACES		± 0.2		CHK'D: LIMONL 2023/06/13								
1 PLACE		±		APPR: CTEH 2023/06/14								
0 PLACES		±		INITIAL REVISION:								
				DRWN: JAKEEMEW 2017/03/22				DOCUMENT NUMBER				
				APPR: SHLENI 2017/04/12				2042450003				
DRAFT WHERE APPLICABLE MUST REMAIN WITHIN DIMENSIONS				THIRD ANGLE PROJECTION		DRAWING		SERIES		MATERIAL NUMBER		
						A3-SIZE		204245		SEE TABLE		
						GENERAL MARKET				SHEET NUMBER		
										1 OF 6		

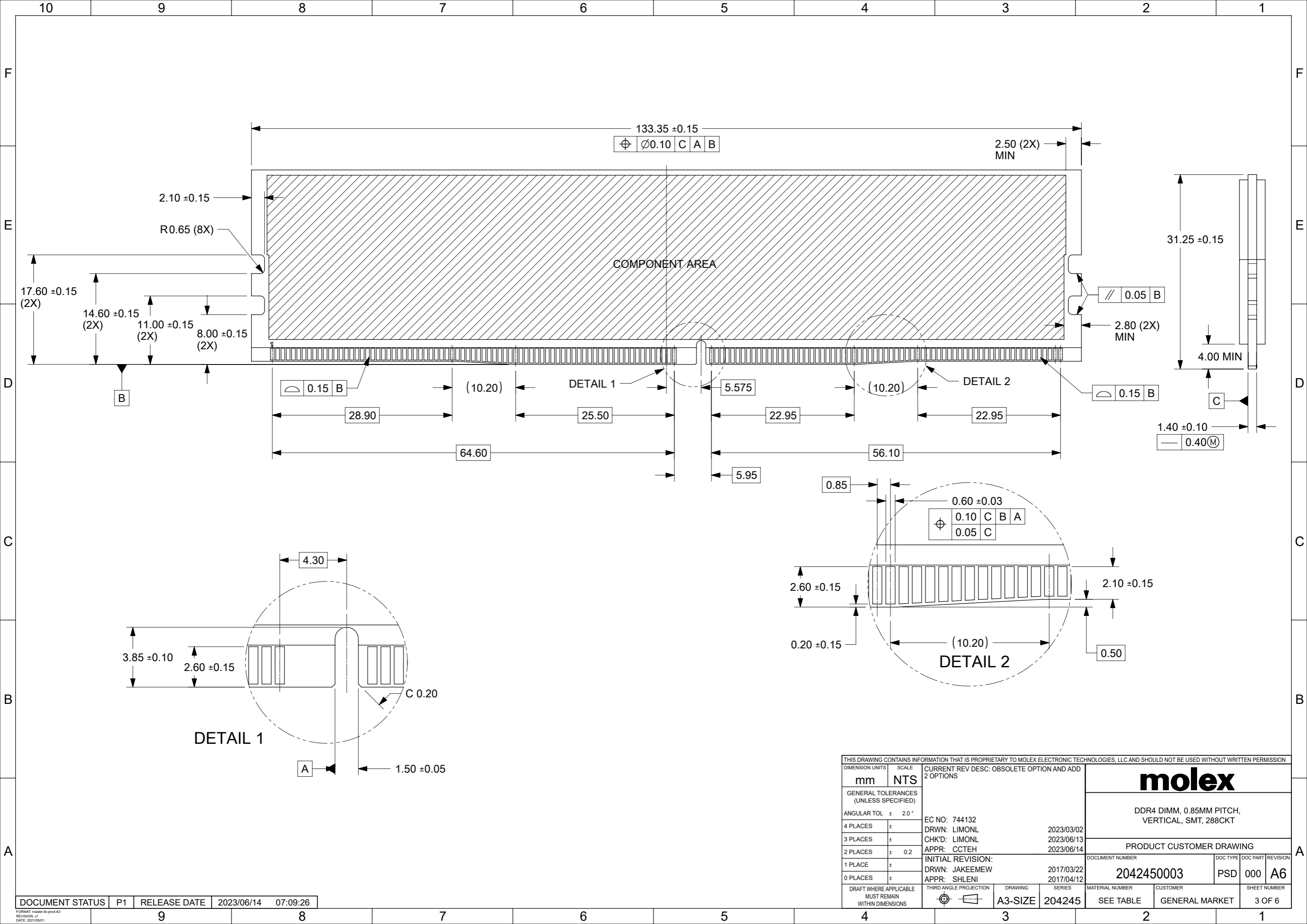
DOCUMENT STATUS	P1	RELEASE DATE	2023/06/14	07:09:26
-----------------	----	--------------	------------	----------



LATCH CLOSED POSITION

LATCH OPENED POSITION

THIS DRAWING CONTAINS INFORMATION THAT IS PROPRIETARY TO MOLEX ELECTRONIC TECHNOLOGIES, LLC AND SHOULD NOT BE USED WITHOUT WRITTEN PERMISSION									
DIMENSION UNITS		SCALE		CURRENT REV DESC: OBSOLETE OPTION AND ADD 2 OPTIONS					
mm		NTS							
GENERAL TOLERANCES (UNLESS SPECIFIED)									
ANGULAR TOL ± 2.0°				EC NO: 744132					
4 PLACES ±				DRWN: LIMONL		2023/03/02		2023/06/13	
3 PLACES ±				CHK'D: LIMONL		2023/06/13		2023/06/14	
2 PLACES ±		0.2		APPR: CTEH		2023/06/14		PRODUCT CUSTOMER DRAWING	
1 PLACE ±				INITIAL REVISION:				DOCUMENT NUMBER	
0 PLACES ±				DRWN: JAKEEMEW		2017/03/22		2042450003	
				APPR: SHLENI		2017/04/12		PSD 000 A6	
DRAFT WHERE APPLICABLE MUST REMAIN WITHIN DIMENSIONS				THIRD ANGLE PROJECTION		DRAWING		SERIES	
						A3-SIZE		204245	
				MATERIAL NUMBER		CUSTOMER		SHEET NUMBER	
				SEE TABLE		GENERAL MARKET		2 OF 6	



10 9 8 7 6 5 4 3 2 1

F F

E E

D D

C C

B B

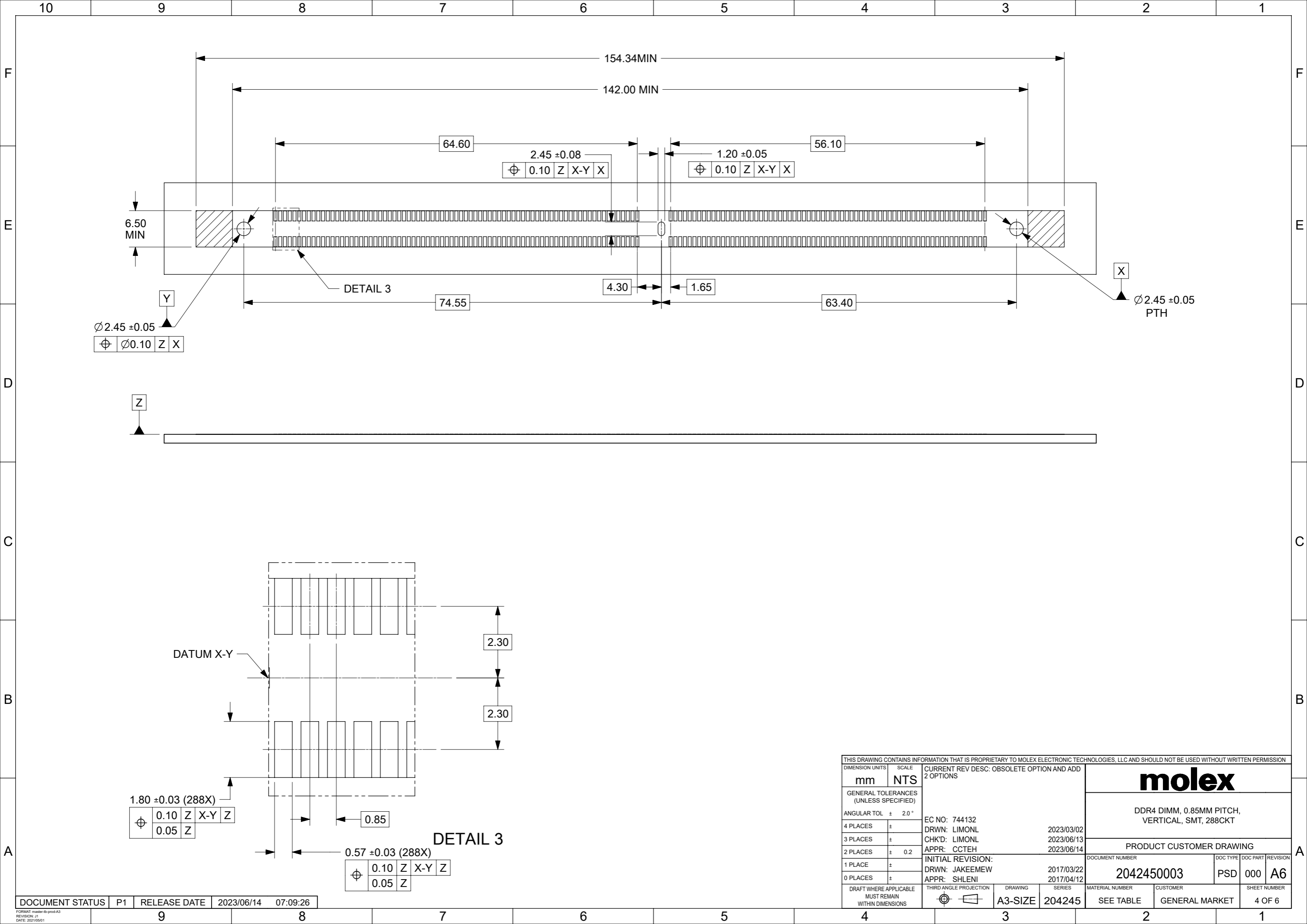
A A


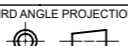
DOCUMENT STATUS P1 RELEASE DATE 2023/06/14 07:09:26

9 8 7 6 5 4 3 2 1

THIS DRAWING CONTAINS INFORMATION THAT IS PROPRIETARY TO MOLEX ELECTRONIC TECHNOLOGIES, LLC AND SHOULD NOT BE USED WITHOUT WRITTEN PERMISSION									
DIMENSION UNITS	SCALE	CURRENT REV DESC: OBSOLETE OPTION AND ADD 2 OPTIONS							
mm	NTS								
GENERAL TOLERANCES (UNLESS SPECIFIED)									
ANGULAR TOL	± 2.0°	EC NO: 744132 DRWN: LIMONL 2023/03/02 CHK'D: LIMONL 2023/06/13 APPR: CTEH 2023/06/14							
4 PLACES	±	INITIAL REVISION:							
3 PLACES	±	DRWN: JAKEEMEW 2017/03/22				DOCUMENT NUMBER			
2 PLACES	± 0.2	APPR: SHLENI 2017/04/12				2042450003			
1 PLACE	±	THIRD ANGLE PROJECTION				DRAWING		SERIES	
0 PLACES	±	DRAFT WHERE APPLICABLE MUST REMAIN WITHIN DIMENSIONS				A3-SIZE		204245	
		MATERIAL NUMBER		CUSTOMER		DOC TYPE		DOC PART	
		SEE TABLE		GENERAL MARKET		PSD		000	
								REVISION	
								A6	
								SHEET NUMBER	
								3 OF 6	

FORMAT: master-b-prod-A3
 REVISION: 11
 DATE: 2021/05/01



THIS DRAWING CONTAINS INFORMATION THAT IS PROPRIETARY TO MOLEX ELECTRONIC TECHNOLOGIES, LLC AND SHOULD NOT BE USED WITHOUT WRITTEN PERMISSION											
DIMENSION UNITS		SCALE		CURRENT REV DESC: OBSOLETE OPTION AND ADD 2 OPTIONS							
mm		NTS									
GENERAL TOLERANCES (UNLESS SPECIFIED)											
ANGULAR TOL $\pm 2.0^\circ$				EC NO: 744132 DRWN: LIMONL 2023/03/02 CHK'D: LIMONL 2023/06/13 APPR: CTEH 2023/06/14							
4 PLACES \pm				PRODUCT CUSTOMER DRAWING							
3 PLACES \pm				DOCUMENT NUMBER							
2 PLACES ± 0.2				2042450003							
1 PLACE \pm				DOC TYPE							
0 PLACES \pm				PSD							
DRAFT WHERE APPLICABLE MUST REMAIN WITHIN DIMENSIONS				THIRD ANGLE PROJECTION		DRAWING		SERIES		SHEET NUMBER	
						A3-SIZE		204245		4 OF 6	

DOCUMENT STATUS	P1	RELEASE DATE	2023/06/14	07:09:26
-----------------	----	--------------	------------	----------

ASSEMBLY PART NUMBER	HOUSING COLOUR	LATCH COLOUR	CIRCUIT SIZE	KAPTON TAPE	PCB SECURE FEATURES			PLATING OPTION	PRODUCT SPECIFICATION	PACKAGING SPECIFICATION
					LEFT	CENTER	RIGHT			
204245-1003	BLACK	BLACK	288	YES	OPTION#A: METAL TAB (2.00MM)	OPTION#A: METAL TAB (2.00MM)	OPTION#A: METAL TAB (2.00MM)	0.38 MICROMETER (15 MICROINCH) MINIMUM GOLD ON CONTACT 2.54 MICROMETER (100 MICROINCH) MINIMUM TIN ON SOLDER TAILS 1.27 MICROMETER (50 MICROINCH) MINIMUM NICKEL UNDERPLATE	2042450003	PK-78839-001
204245-1006	NATURAL (OFF-WHITE)	NATURAL (OFF-WHITE)		NO						
204245-1013	BLACK	BLACK		YES	OPTION#B: METAL TAB (2.60MM)	OPTION#B: METAL TAB (2.60MM)	OPTION#B: METAL TAB (2.60MM)			
204245-1030		NATURAL (OFF-WHITE)			NO	OPTION#A: METAL TAB (2.00MM)	OPTION#A: METAL TAB (2.00MM)			
204245-1403		BLACK		2042450002						
204245-1813		NATURAL (OFF-WHITE)								
204245-1830										

THIS DRAWING CONTAINS INFORMATION THAT IS PROPRIETARY TO MOLEX ELECTRONIC TECHNOLOGIES, LLC AND SHOULD NOT BE USED WITHOUT WRITTEN PERMISSION

DIMENSION UNITS mm	SCALE NTS	CURRENT REV DESC: OBSOLETE OPTION AND ADD 2 OPTIONS	molex			
GENERAL TOLERANCES (UNLESS SPECIFIED)						DDR4 DIMM, 0.85MM PITCH, VERTICAL, SMT, 288CKT
ANGULAR TOL ± 2.0°			PRODUCT CUSTOMER DRAWING			
4 PLACES ±		EC NO: 744132	DOCUMENT NUMBER 2042450003			
3 PLACES ±		DRWN: LIMONL 2023/03/02				
2 PLACES ± 0.2		CHK'D: LIMONL 2023/06/13	DOC TYPE PSD	DOC PART 000	REVISION A6	
1 PLACE ±		APPR: CTEH 2023/06/14				
0 PLACES ±		INITIAL REVISION: DRWN: JAKEEMEW 2017/03/22 APPR: SHLENI 2017/04/12				
DRAFT WHERE APPLICABLE MUST REMAIN WITHIN DIMENSIONS	THIRD ANGLE PROJECTION	DRAWING A3-SIZE	SERIES 204245	MATERIAL NUMBER SEE TABLE	CUSTOMER GENERAL MARKET	SHEET NUMBER 5 OF 6

ASSEMBLY PART NUMBER	HOUSING COLOUR	LATCH COLOUR	CIRCUIT SIZE	KAPTON TAPE	PCB SECURE FEATURES			PLATING OPTION	PRODUCT SPECIFICATION	PACKAGING SPECIFICATION
					LEFT	CENTER	RIGHT			
204245-0212	BLACK	BLACK	288	NO	OPTION#A: METAL TAB (2.00MM)	OPTION#A: METAL TAB (2.00MM)	OPTION#A: METAL TAB (2.00MM)	0.76 MICROMETER (30 MICROINCH) MINIMUM GOLD ON CONTACT 2.54 MICROMETER (100 MICROINCH) MINIMUM TIN ON SOLDER TAILS 1.27 MICROMETER (50 MICROINCH) MINIMUM NICKEL UNDERPLATE	2042450103	PK-78839-001
204245-0213		NATURAL (OFF-WHITE)								
204245-0312		BLACK								
204245-0313		NATURAL (OFF-WHITE)								
204245-0311	NATURAL (OFF-WHITE)	YES		OPTION#B: METAL TAB (2.60MM)	OPTION#B: METAL TAB (2.60MM)	OPTION#B: METAL TAB (2.60MM)				
204245-0412	BLACK									
204245-0431	BLACK									
204245-0433	NATURAL (OFF-WHITE)			OPTION#A: METAL TAB (2.00MM)	OPTION#A: METAL TAB (2.00MM)	OPTION#A: METAL TAB (2.00MM)				

<p>THIS DRAWING CONTAINS INFORMATION THAT IS PROPRIETARY TO MOLEX ELECTRONIC TECHNOLOGIES, LLC AND SHOULD NOT BE USED WITHOUT WRITTEN PERMISSION</p> <table border="1"> <tr> <td>DIMENSION UNITS</td> <td>SCALE</td> <td colspan="2">CURRENT REV DESC: OBSOLETE OPTION AND ADD 2 OPTIONS</td> </tr> <tr> <td>mm</td> <td>NTS</td> <td colspan="2"></td> </tr> <tr> <td colspan="4">GENERAL TOLERANCES (UNLESS SPECIFIED)</td> </tr> <tr> <td>ANGULAR TOL</td> <td>±</td> <td colspan="2">2.0 °</td> </tr> <tr> <td>4 PLACES</td> <td>±</td> <td colspan="2"></td> </tr> <tr> <td>3 PLACES</td> <td>±</td> <td colspan="2"></td> </tr> <tr> <td>2 PLACES</td> <td>±</td> <td colspan="2">0.2</td> </tr> <tr> <td>1 PLACE</td> <td>±</td> <td colspan="2"></td> </tr> <tr> <td>0 PLACES</td> <td>±</td> <td colspan="2"></td> </tr> <tr> <td colspan="2">DRAFT WHERE APPLICABLE MUST REMAIN WITHIN DIMENSIONS</td> <td>THIRD ANGLE PROJECTION</td> <td>DRAWING</td> </tr> <tr> <td colspan="2"></td> <td></td> <td>A3-SIZE</td> </tr> </table>										DIMENSION UNITS	SCALE	CURRENT REV DESC: OBSOLETE OPTION AND ADD 2 OPTIONS		mm	NTS			GENERAL TOLERANCES (UNLESS SPECIFIED)				ANGULAR TOL	±	2.0 °		4 PLACES	±			3 PLACES	±			2 PLACES	±	0.2		1 PLACE	±			0 PLACES	±			DRAFT WHERE APPLICABLE MUST REMAIN WITHIN DIMENSIONS		THIRD ANGLE PROJECTION	DRAWING				A3-SIZE
DIMENSION UNITS	SCALE	CURRENT REV DESC: OBSOLETE OPTION AND ADD 2 OPTIONS																																																			
mm	NTS																																																				
GENERAL TOLERANCES (UNLESS SPECIFIED)																																																					
ANGULAR TOL	±	2.0 °																																																			
4 PLACES	±																																																				
3 PLACES	±																																																				
2 PLACES	±	0.2																																																			
1 PLACE	±																																																				
0 PLACES	±																																																				
DRAFT WHERE APPLICABLE MUST REMAIN WITHIN DIMENSIONS		THIRD ANGLE PROJECTION	DRAWING																																																		
			A3-SIZE																																																		
EC NO: 744132		2023/03/02																																																			
DRWN: LIMONL		2023/06/13																																																			
CHK'D: LIMONL		2023/06/14																																																			
APPR: CTEH		2023/06/14																																																			
INITIAL REVISION:		DOCUMENT NUMBER																																																			
DRWN: JAKEEMEW		2042450003																																																			
APPR: SHLENI		PSD 000 A6																																																			
		SHEET NUMBER																																																			
		6 OF 6																																																			