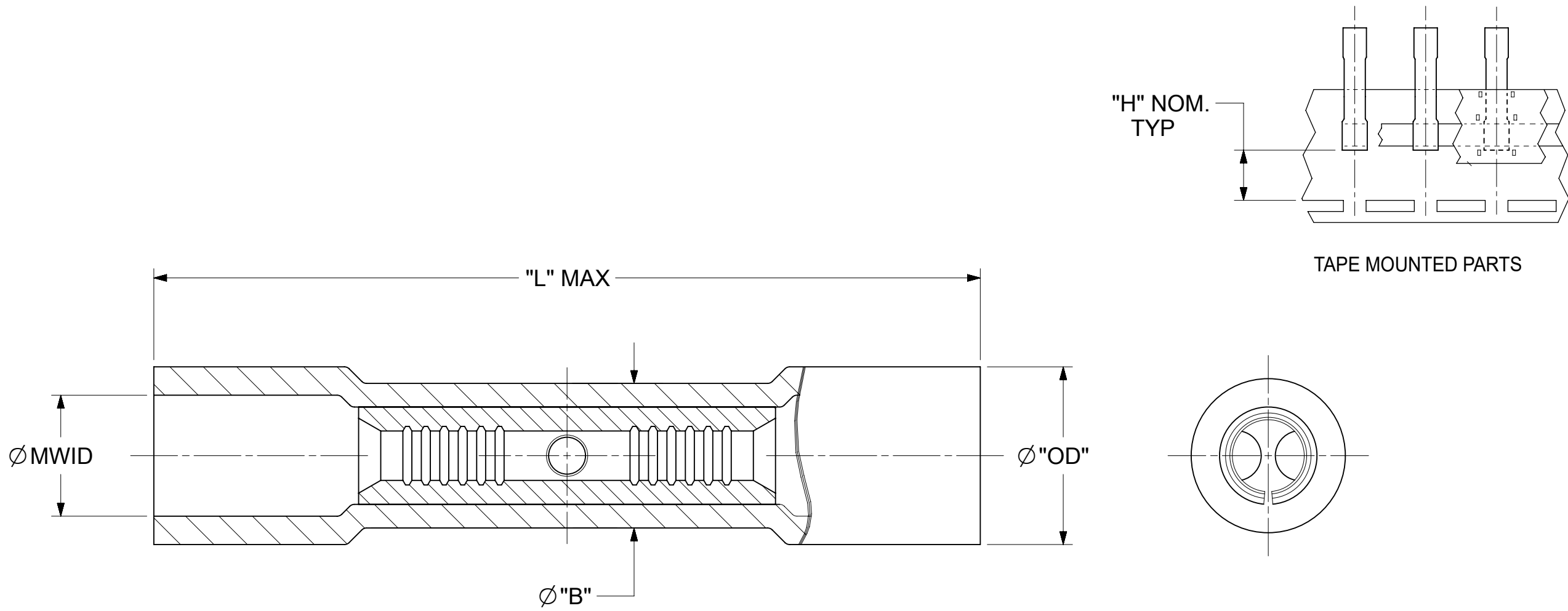


MATERIAL NO.	ENG. NO.	MATERIAL NO. (TAPED)	ENG NO. (TAPED)	COLOR	MWID	OD (MAX)	"L" MAX	"B" (MAX)	ID (MIN)	"H" (NOM)
191540004	A-245X	191540006	A-245XT	RED	.150 (3.81)	.24 (6.1)	.98 (24.9)	.20 (5.1)	.060 (1.52)	.49 (12.4)
191540015	B-231X	191540017	B-231XT	BLUE	.170 (4.32)	.27 (6.9)	1.00 (25.4)	.24 (6.1)	.080 (2.03)	
191540028	C-246X	191540030	C-246XT	YELLOW	.260 (6.60)	.36 (9.2)	1.14 (29.0)	.30 (7.6)	.125 (3.17)	.43 (10.9)



NOTES:

1. MATERIALS: PVC INSULATION OVER TIN-PLATED COPPER SPLICE.
2. COLOR: SEE CHART.
3. MWID = MAXIMUM WIRE INSULATION DIAMETER
4. PARTS ARE RoHS COMPLIANT.

FUNCTIONAL SYMBOLS		THIS DRAWING CONTAINS INFORMATION THAT IS PROPRIETARY TO MOLEX ELECTRONIC TECHNOLOGIES, LLC AND SHOULD NOT BE USED WITHOUT WRITTEN PERMISSION		CURRENT REV DESC: MWID .170 WAS .175			
$\nabla_A = 0$	DIMENSION UNITS	SCALE		<p>molex</p> <p>BUTT SPLICE CONNECTOR, INSULKRIMP</p> <p>PRODUCT CUSTOMER DRAWING</p>			
$\nabla_E = 0$	INCH/MM	NTS					
$\nabla_P = 0$	GENERAL TOLERANCES (UNLESS SPECIFIED)		<p>EC NO: 756913</p> <p>DRWN: DEANNM1 2023/07/17</p> <p>CHKD: ETHRODAHL 2023/07/17</p> <p>APPR: ETHRODAHL 2023/07/17</p>				
DIVISIONAL SYMBOLS		MM	INCH			<p>INITIAL REVISION:</p> <p>DRWN: ETHRODAHL 2009/07/09</p> <p>APPR: JMACNEIL 2009/07/09</p>	
	4 PLACES	±	±	<p>DOCUMENT NUMBER: SD-19154-006</p> <p>DOC TYPE: PSD</p> <p>DOC PART: 001</p> <p>REVISION: A2</p>			
	3 PLACES	±	± 0.005				
	2 PLACES	± 0.13	± 0.01				
	1 PLACE	± 0.25	±				
	0 PLACES	±	±				
	ANGULAR TOL	± 0.5°					
DRAFT WHERE APPLICABLE MUST REMAIN WITHIN DIMENSIONS		THIRD ANGLE PROJECTION	DRAWING	SERIES	MATERIAL NUMBER	CUSTOMER	SHEET NUMBER
			B-SIZE	19154	SEE CHART	GENERAL MARKET	1 OF 1