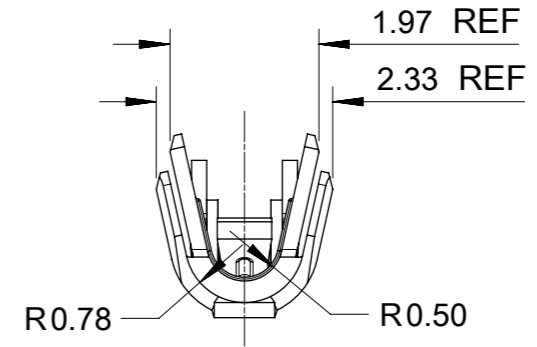
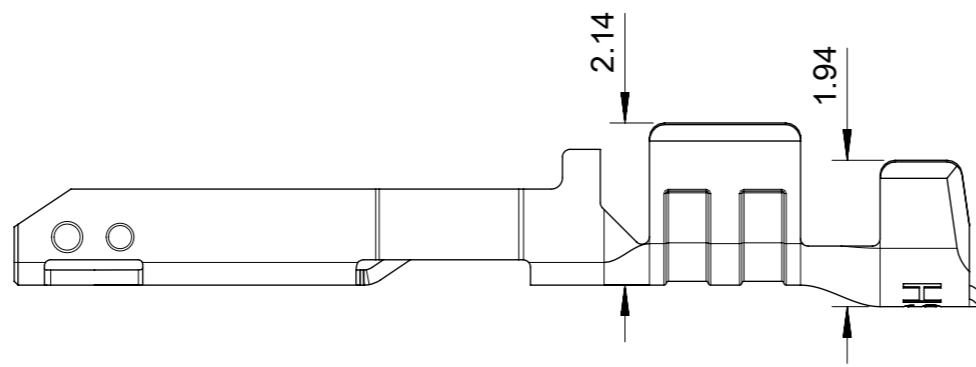


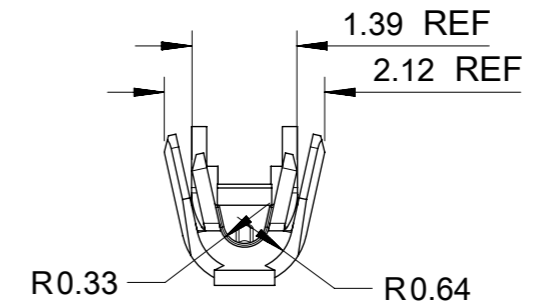
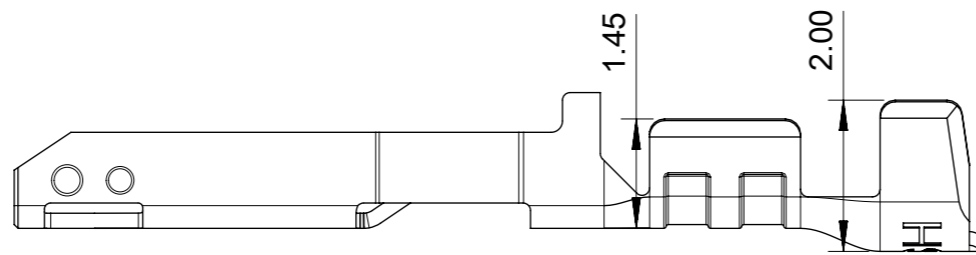
- NOTES:
1. MATERIAL: HIGH CONDUCTIVITY COPPER ALLOY.
 2. PLATING FINISH SEE CHART IN SHEET 3.
 3. PRODUCT SPECIFICATION: PS-105300-100.
 4. PACKAGE SPECIFICATION: PK-105300-100.
 5. THE TERMINAL IS LUBRICATED.
 6. THE COMPONENT COMPLIANT TO RoHS DIRECTIVE 2011/65/EU AND ELV DIRECTIVE 2000/53/EC.
 7. PRODUCT APPLY TO RECEPTACLE HOUSING OF 105307-**** AND 105308-****.
 8. PARTS CONFORM TO CLASS 'B' REQUIREMENTS OF COSMETIC SPECIFICATION PS-45499-002.
 9. APPLICATION SPECIFICATION: AS-105300-100.
 10. RECOMMENDED INSULATOR:
20AWG WIRE, OD 1.60MM MAX.
24AWG WIRE, OD 1.30MM MAX.

THIS DRAWING CONTAINS INFORMATION THAT IS PROPRIETARY TO MOLEX ELECTRONIC TECHNOLOGIES, LLC AND SHOULD NOT BE USED WITHOUT WRITTEN PERMISSION												
DIMENSION UNITS		SCALE		CURRENT REV DESC:				molex				
mm		10:1										
GENERAL TOLERANCES (UNLESS SPECIFIED)				EC NO: 747623 DRWN: GLLI 2023/01/26 CHK'D: XQZHANG 2023/05/07 APPR: XQZHANG 2023/05/07 INITIAL REVISION: DRWN: GLLI 2017/03/23 APPR: AYIN 2017/05/15				CRIMP TERMINAL FOR NANO-FIT, TIN PLATING POWER CONNECTOR				
ANGULAR TOL ± 3.0 °								PRODUCT CUSTOMER DRAWING				
4 PLACES ±								DOCUMENT NUMBER		DOC TYPE	DOC PART	REVISION
3 PLACES ±								2004570710		PSD	000	A4
2 PLACES ± 0.15								MATERIAL NUMBER		CUSTOMER		
1 PLACE ± 0.2				A3-SIZE		200457		GENERAL MARKET	SHEET NUMBER			
0 PLACES ±				DRAWING		SERIES		1 OF 3				
DRAFT WHERE APPLICABLE MUST REMAIN WITHIN DIMENSIONS				THIRD ANGLE PROJECTION								

DOCUMENT STATUS	P1	RELEASE DATE	2023/05/07	00:10:55
-----------------	----	--------------	------------	----------

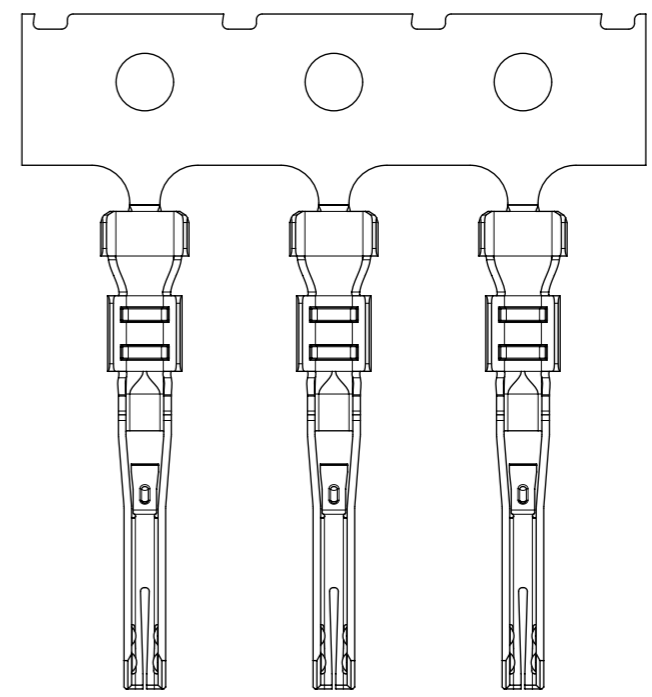
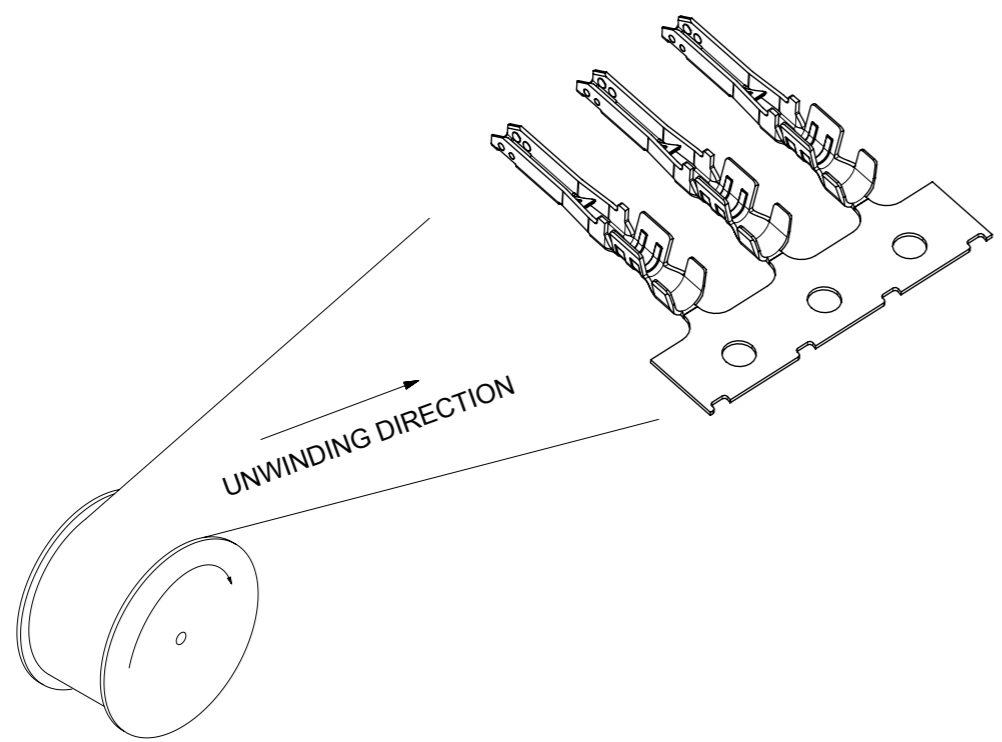


ONLY FOR WIRE OF AWG 20/22



ONLY FOR WIRE OF AWG 24/26

THIS DRAWING CONTAINS INFORMATION THAT IS PROPRIETARY TO MOLEX ELECTRONIC TECHNOLOGIES, LLC AND SHOULD NOT BE USED WITHOUT WRITTEN PERMISSION									
DIMENSION UNITS		SCALE		CURRENT REV DESC:					
mm		10:1							
GENERAL TOLERANCES (UNLESS SPECIFIED)				EC NO: 747623				CRIMP TERMINAL FOR NANO-FIT, TIN PLATING POWER CONNECTOR	
ANGULAR TOL ± 3.0 °				DRWN: GLLI 2023/01/26					
4 PLACES ±				CHK'D: XQZHANG 2023/05/07				PRODUCT CUSTOMER DRAWING	
3 PLACES ±				APPR: XQZHANG 2023/05/07					
2 PLACES ± 0.15				INITIAL REVISION:				DOCUMENT NUMBER	
1 PLACE ± 0.2				DRWN: GLLI 2017/03/23				2004570710	
0 PLACES ±				APPR: AYIN 2017/05/15				PSD 000 A4	
DRAFT WHERE APPLICABLE MUST REMAIN WITHIN DIMENSIONS		THIRD ANGLE PROJECTION		DRAWING		SERIES		MATERIAL NUMBER	
				A3-SIZE		200457		CUSTOMER	
								GENERAL MARKET	
								SHEET NUMBER	
								2 OF 3	



	PART NUMBER	WIRE SIZE(AWG)	REMARK
CHAIN	105300-1100	24/26	GENERAL MARKET
	105300-2100	20/22	
LOOSE*	105300-1500	24/26	ONLY BE SOLD BY MOLEX FRANCHISED DISTRIBUTORS
	105300-2500	20/22	
*DISTRIBUTORS MUST PURCHASE CHAIN PART NUMBER AND CREATE LOOSE PIECE PRODUCT.			

PLATING SPECIFICATION

REFLOW MATTE TIN OVERALL(1.5 MICRONS MINIMUM BEFORE REFLOW),
UNDER NICKEL PLATING 1.25 MICRONS MINIMUM OVERALL.

THIS DRAWING CONTAINS INFORMATION THAT IS PROPRIETARY TO MOLEX ELECTRONIC TECHNOLOGIES, LLC AND SHOULD NOT BE USED WITHOUT WRITTEN PERMISSION									
DIMENSION UNITS	SCALE	CURRENT REV DESC:					molex		
mm	5:1								
GENERAL TOLERANCES (UNLESS SPECIFIED)		EC NO: 747623					CRIMP TERMINAL FOR NANO-FIT, TIN PLATING POWER CONNECTOR		
ANGULAR TOL ± 3.0 °		DRWN: GLLI 2023/01/26							
4 PLACES	±	CHK'D: XQZHANG 2023/05/07					PRODUCT CUSTOMER DRAWING		
3 PLACES	±	APPR: XQZHANG 2023/05/07							
2 PLACES	± 0.15	INITIAL REVISION:					DOCUMENT NUMBER		
1 PLACE	± 0.2	DRWN: GLLI 2017/03/23							
0 PLACES	±	APPR: AYIN 2017/05/15					DOC TYPE		
DRAFT WHERE APPLICABLE MUST REMAIN WITHIN DIMENSIONS		THIRD ANGLE PROJECTION	DRAWING	SERIES	MATERIAL NUMBER	CUSTOMER			
			A3-SIZE	200457		GENERAL MARKET	A4		
							3 OF 3		