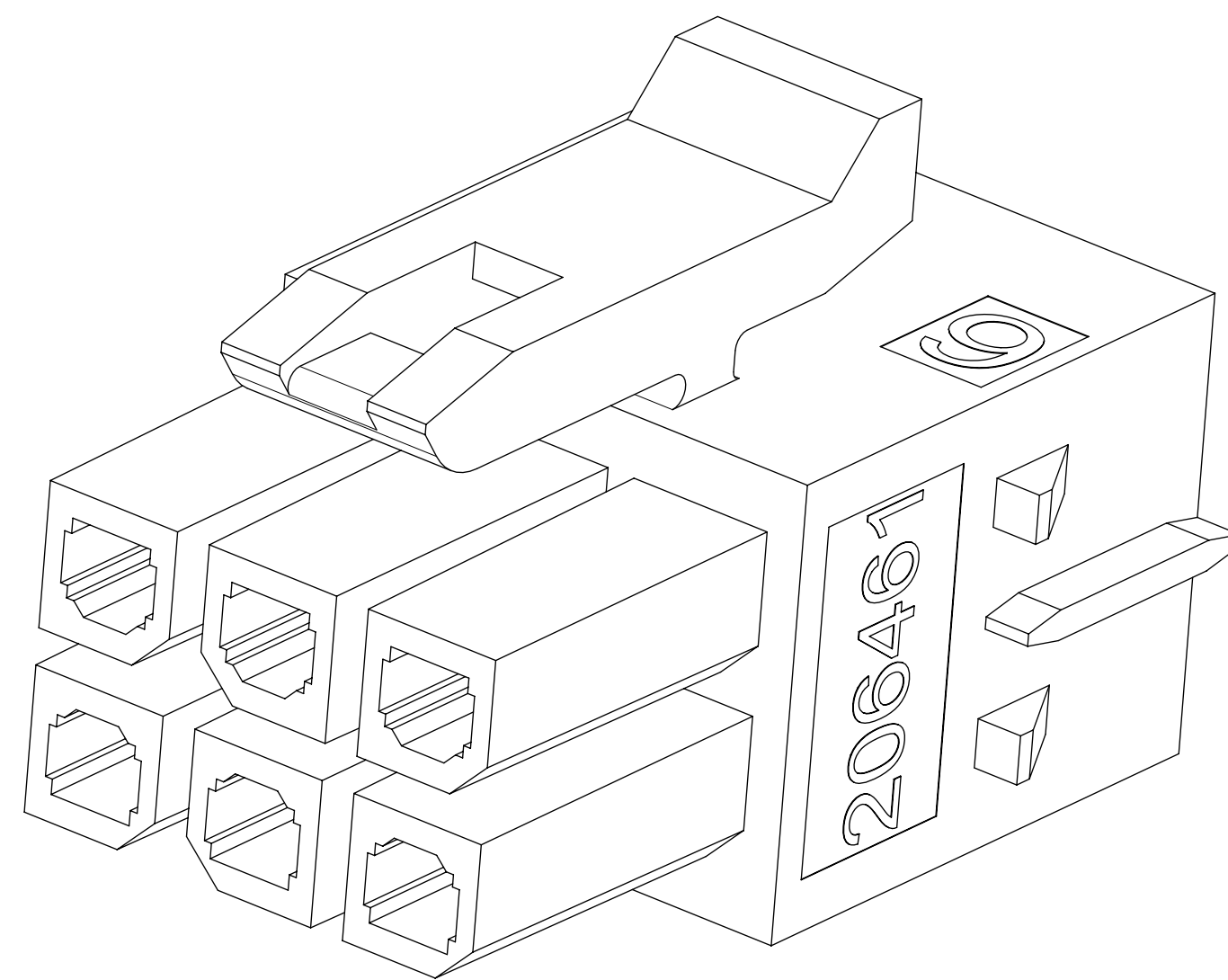


LEGEND

- 206461 - X X X X
- POLARIZATION / COLOR
 - 0- BLACK
 - 1 - NATURAL
 - 2 - RED
 - 3 - BLUE
 - 4- YELLOW
 - 1- LOW HALOGEN
 - 0 - NON LOW HALOGEN
 - CKT SIZE 02-24



PART NUMBER	CKT SIZE	DIM A	POLARIZATION	COLOR	HALOGEN STATUS	TOOLING STATUS		
206461-0200	2	3.85	A	BLACK	---	TOOLED		
206461-0201			B	NATURAL	---	TOOLED		
206461-0202			C	RED	---	TOOLED		
206461-0203			D	BLUE	---	TOOLED		
206461-0204			E	YELLOW	---	TOOLED		
206461-0210	4	6.85	A	BLACK	LOW HALOGEN	TOOLED		
206461-0400			A	BLACK	---	TOOLED		
206461-0401			B	NATURAL	---	TOOLED		
206461-0402			C	RED	---	TOOLED		
206461-0403			D	BLUE	---	TOOLED		
206461-0404	E	YELLOW	---	TOOLED				
206461-0410	6	9.85	A	BLACK	LOW HALOGEN	TOOLED		
206461-0600			A	BLACK	---	TOOLED		
206461-0601			B	NATURAL	---	TOOLED		
206461-0602			C	RED	---	TOOLED		
206461-0603			D	BLUE	---	TOOLED		
206461-0604	E	YELLOW	---	TOOLED				
206461-0610	8	12.85	A	BLACK	LOW HALOGEN	TOOLED		
206461-0800			A	BLACK	---	TOOLED		
206461-0801			B	NATURAL	---	TOOLED		
206461-0802			C	RED	---	TOOLED		
206461-0803			D	BLUE	---	TOOLED		
206461-0804	E	YELLOW	---	TOOLED				
206461-0810	10	15.85	A	BLACK	LOW HALOGEN	TOOLED		
206461-1000			A	BLACK	---	TOOLED		
206461-1001			B	NATURAL	---	TOOLED		
206461-1002			C	RED	---	TOOLED		
206461-1003			D	BLUE	---	TOOLED		
206461-1004	E	YELLOW	---	TOOLED				
206461-1010	12	18.85	A	BLACK	LOW HALOGEN	TOOLED		
206461-1200			A	BLACK	---	TOOLED		
206461-1201			B	NATURAL	---	TOOLED		
206461-1202			C	RED	---	TOOLED		
206461-1203			D	BLUE	---	TOOLED		
206461-1204	E	YELLOW	---	TOOLED				
206461-1210	14	21.85	A	BLACK	LOW HALOGEN	TOOLED		
206461-1400			---	BLACK	---	TOOLED		
206461-1410			---	BLACK	LOW HALOGEN	TOOLED		
206461-1600			16	24.85	---	BLACK	---	TOOLED
206461-1610					---	BLACK	LOW HALOGEN	TOOLED
206461-1800	18	27.85			---	BLACK	---	TOOLED
206461-1810					---	BLACK	LOW HALOGEN	NOT TOOLED
206461-2000					20	30.85	---	BLACK
206461-2010			---	BLACK			LOW HALOGEN	NOT TOOLED
206461-2200			22	33.85			---	BLACK
206461-2210	---	BLACK					LOW HALOGEN	NOT TOOLED
206461-2400	24	36.85					---	BLACK
206461-2410					---	BLACK	LOW HALOGEN	NOT TOOLED

NOTES:

- MATERIALS: NYLON, UL94V-0,GLOW-WIRE CAPABLE,COLOUR: SEE TABLE
- PRODUCT SPECIFICATION: 2064600000-PS
- PACKAGING SPECIFICATION: 2064610000-PK
- PARTS CONFORMS TO CLASS 'B' REQUIREMENTS OF COSMETIC SPECIFICATION PS-45499-002.
- THIS HOUSING TO BE USED WITH MOLEX FEMALE TERMINAL 206460
- THIS PART MATES WITH 206832, 212528, 215922

THIS DRAWING CONTAINS INFORMATION THAT IS PROPRIETARY TO MOLEX ELECTRONIC TECHNOLOGIES, LLC AND SHOULD NOT BE USED WITHOUT WRITTEN PERMISSION											
DIMENSION UNITS: mm		SCALE: NTS		CURRENT REV DESC:							
GENERAL TOLERANCES (UNLESS SPECIFIED)						EC NO: 785720					
ANGULAR TOL ± 0.5°						DRWN: ZIXUQA		2024/05/12		RECEPTACLE HOUSING MICRO-FIT + SOLUTION	
4 PLACES ±						CHK'D: XQZHANG		2024/05/12			
3 PLACES ±						APPR: XQZHANG		2024/05/12		PRODUCT CUSTOMER DRAWING	
2 PLACES ± 0.25						INITIAL REVISION:		DOCUMENT NUMBER			
1 PLACE ± 0.35						DRWN: SMAHAJANSHET		2018/05/08		2064610000-SD	
0 PLACES ±						APPR: NCSR		2019/04/02		PSD 000 C1	
DRAFT WHERE APPLICABLE MUST REMAIN WITHIN DIMENSIONS				THIRD ANGLE PROJECTION		DRAWING		SERIES		SHEET NUMBER	
						D-SIZE		206461		1 OF 2	
						SEE TABLE		GENERAL MARKET			

CKT	POLARIZATION "A" - BLACK	POLARIZATION "B" - NATURAL	POLARIZATION "C" - RED	POLARIZATION "D" - BLUE	POLARIZATION "E" - YELLOW
2					
4					
6					
8					
10					
12					

CKT	POLARIZATION - A - BLACK
14	
16	
18	
20	
22	
24	

THIS DRAWING CONTAINS INFORMATION THAT IS PROPRIETARY TO MOLEX ELECTRONIC TECHNOLOGIES, LLC AND SHOULD NOT BE USED WITHOUT WRITTEN PERMISSION									
DIMENSION UNITS		SCALE		CURRENT REV DESC:					
mm		NTS							
GENERAL TOLERANCES (UNLESS SPECIFIED)									
ANGULAR TOL ± 0.5°				EC NO: 785720					
4 PLACES ±				DRWN: ZIXUAQ 2024/01/12					
3 PLACES ±				CHK'D: XQZHANG 2024/05/12					
2 PLACES ± 0.25				APPR: XQZHANG 2024/05/12					
1 PLACE ± 0.35				INITIAL REVISION:					
0 PLACES ±				DRWN: SMAHAJANSHET 2018/05/08					
				APPR: NCSR 2019/04/02					
DRAFT WHERE APPLICABLE MUST REMAIN WITHIN DIMENSIONS				THIRD ANGLE PROJECTION		DRAWING		SERIES	
						D-SIZE		206461	
				MATERIAL NUMBER		CUSTOMER		SHEET NUMBER	
				2064610000-SD		GENERAL MARKET		2 OF 2	

molex

RECEPTACLE HOUSING
MICRO-FIT + SOLUTION

PRODUCT CUSTOMER DRAWING

DOCUMENT NUMBER	DOC TYPE	DOC PART	REVISION
2064610000-SD	PSD	000	C1