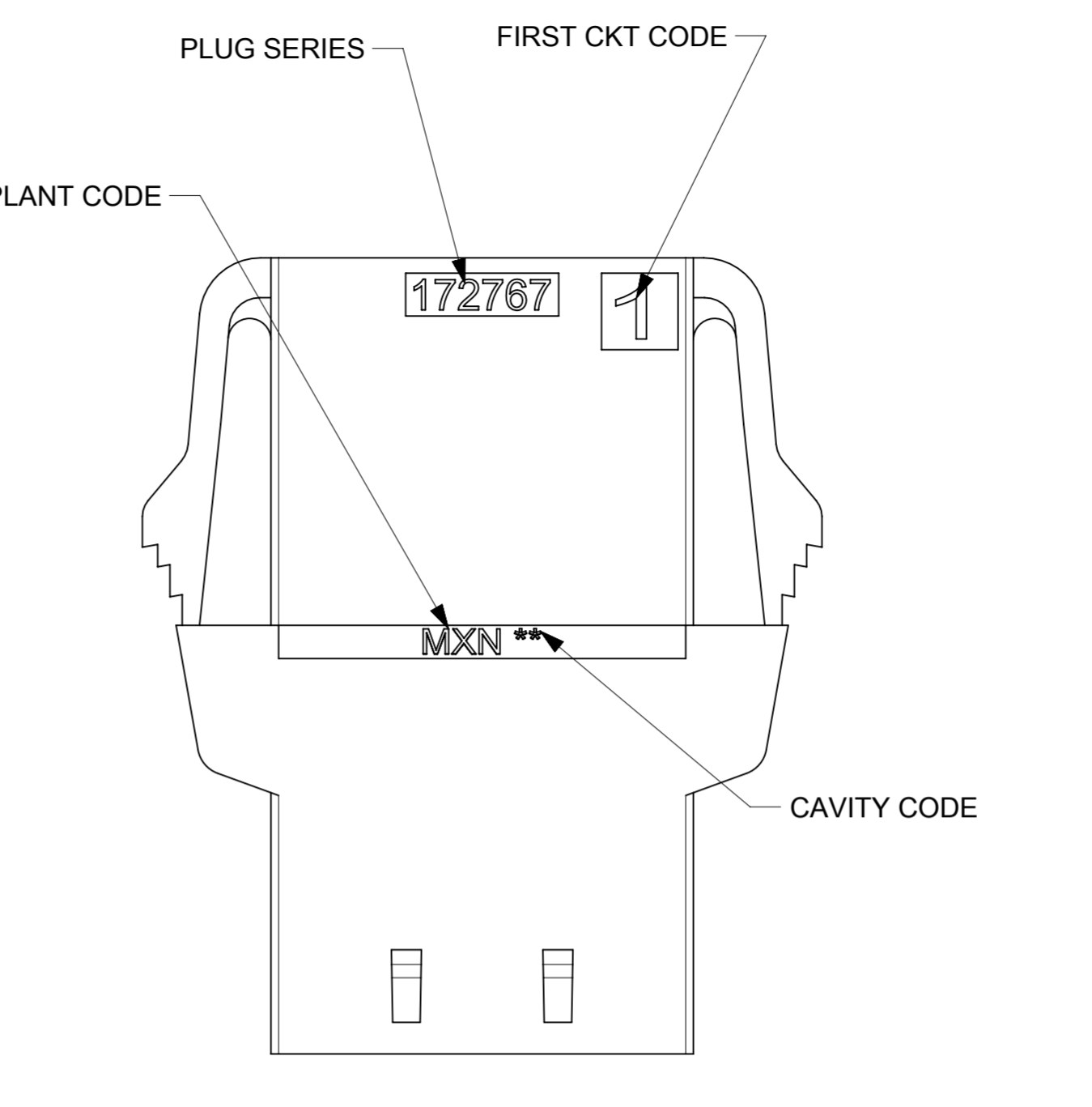
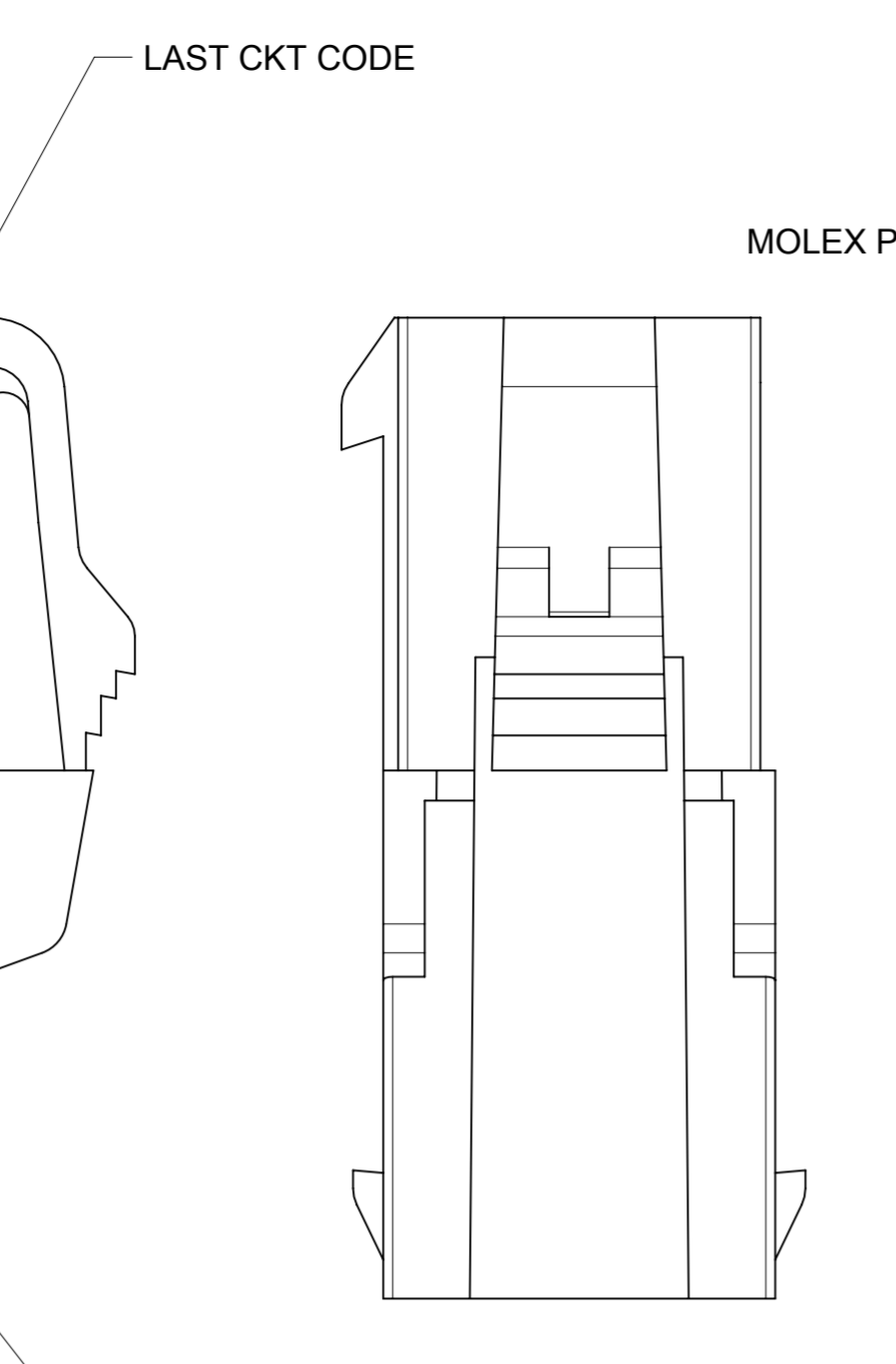
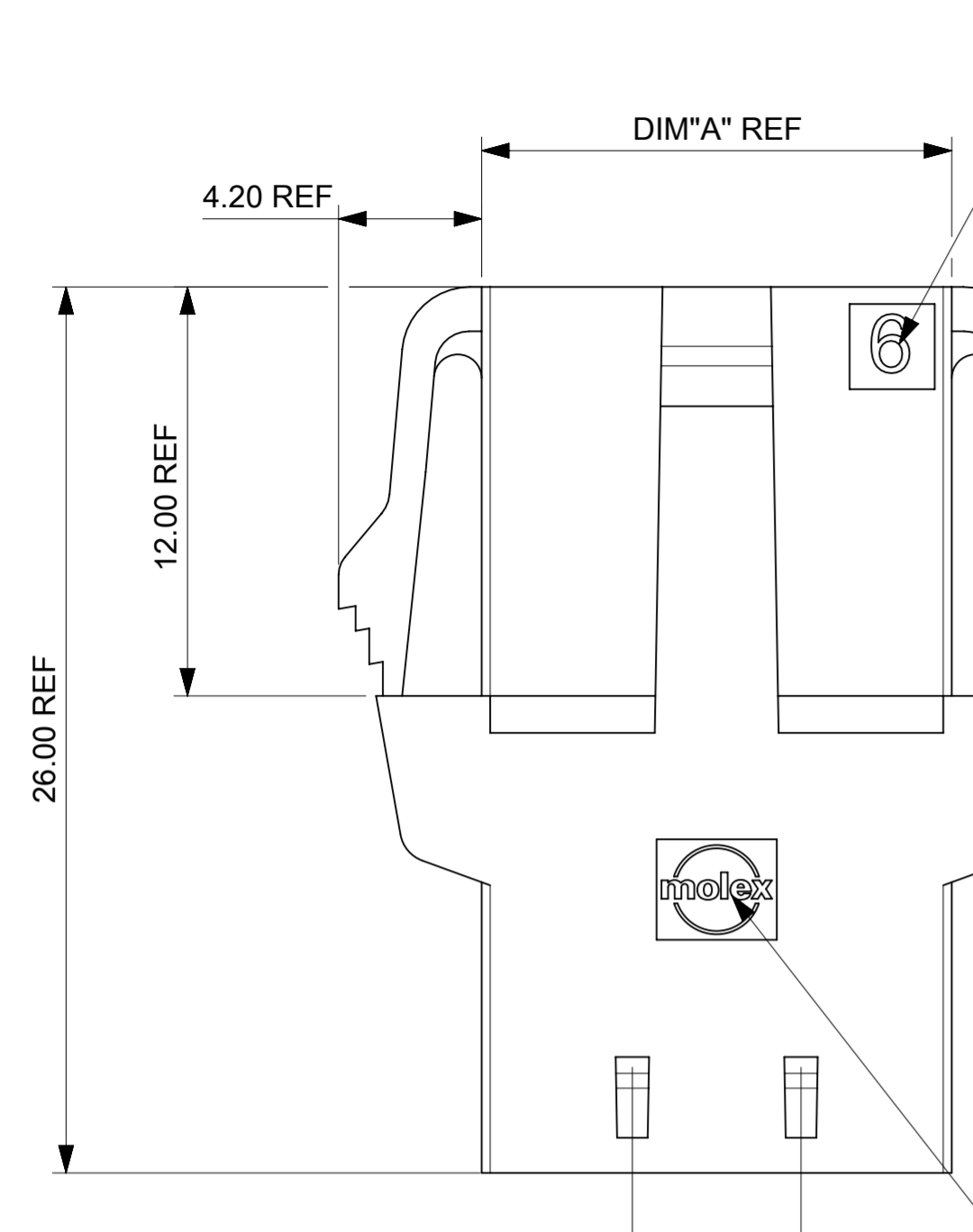
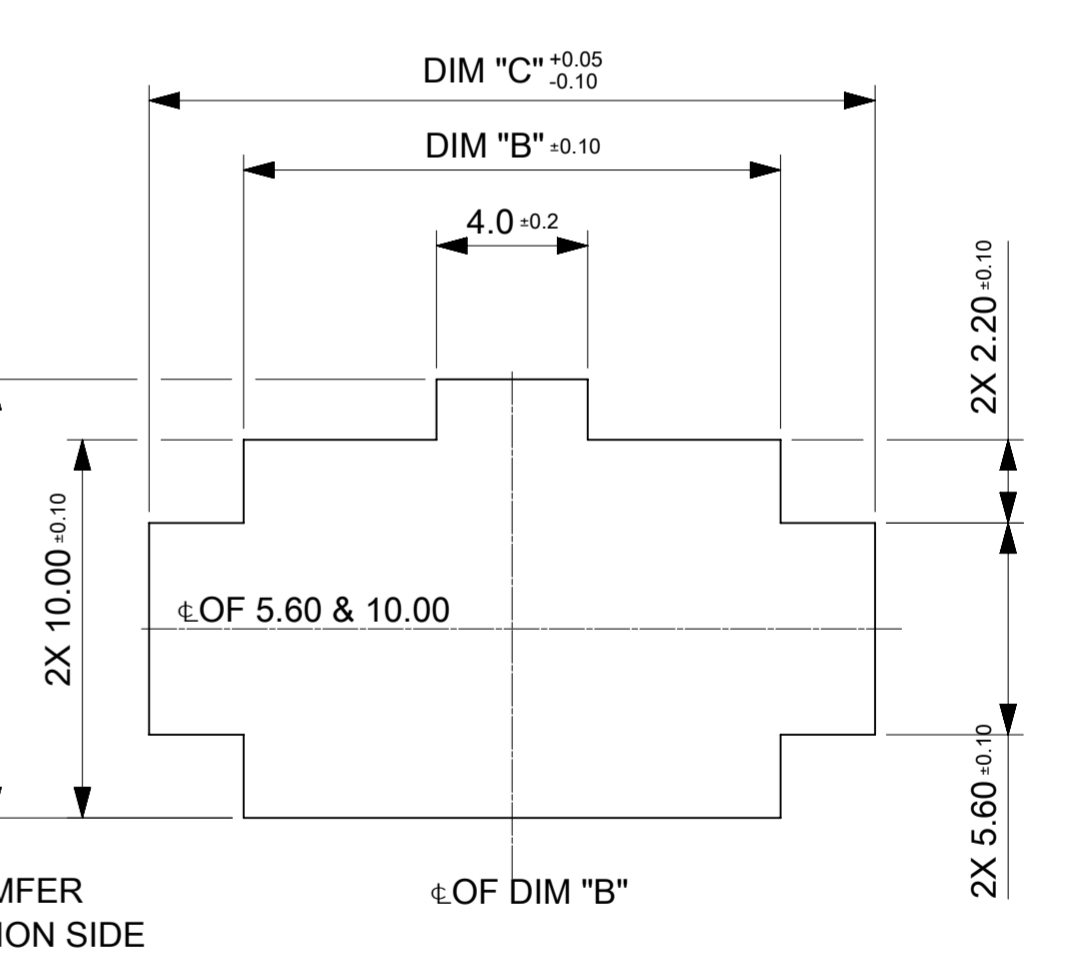
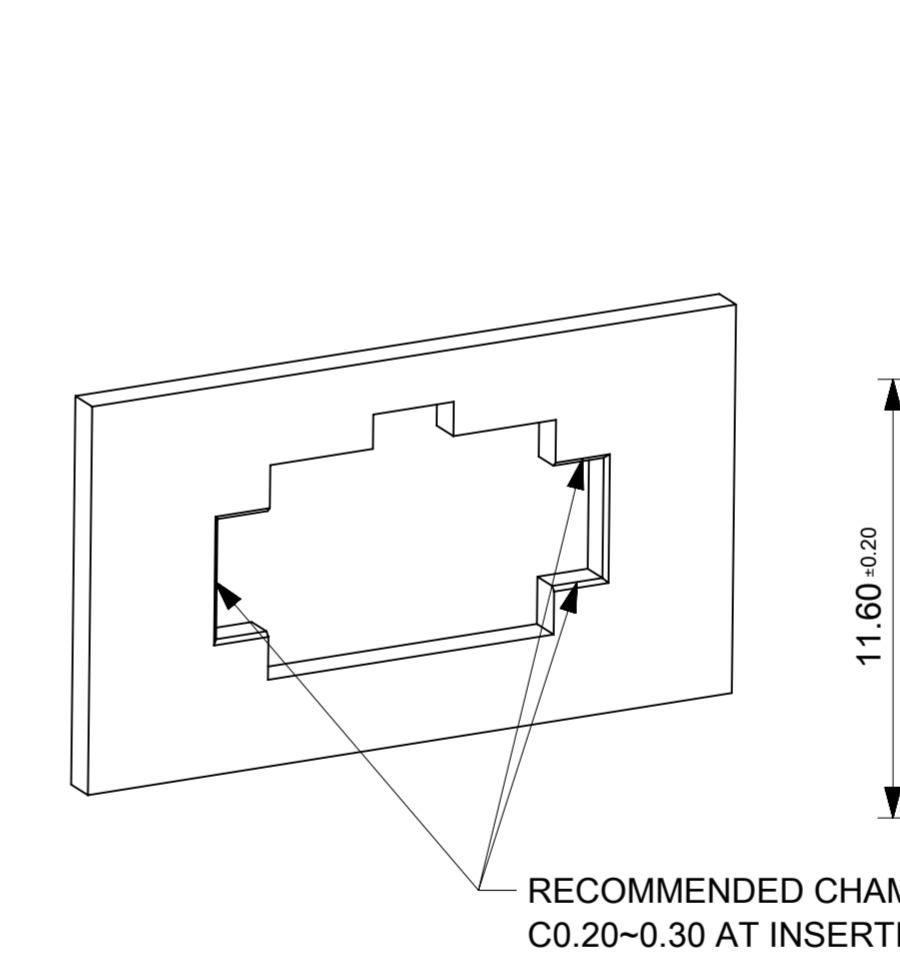
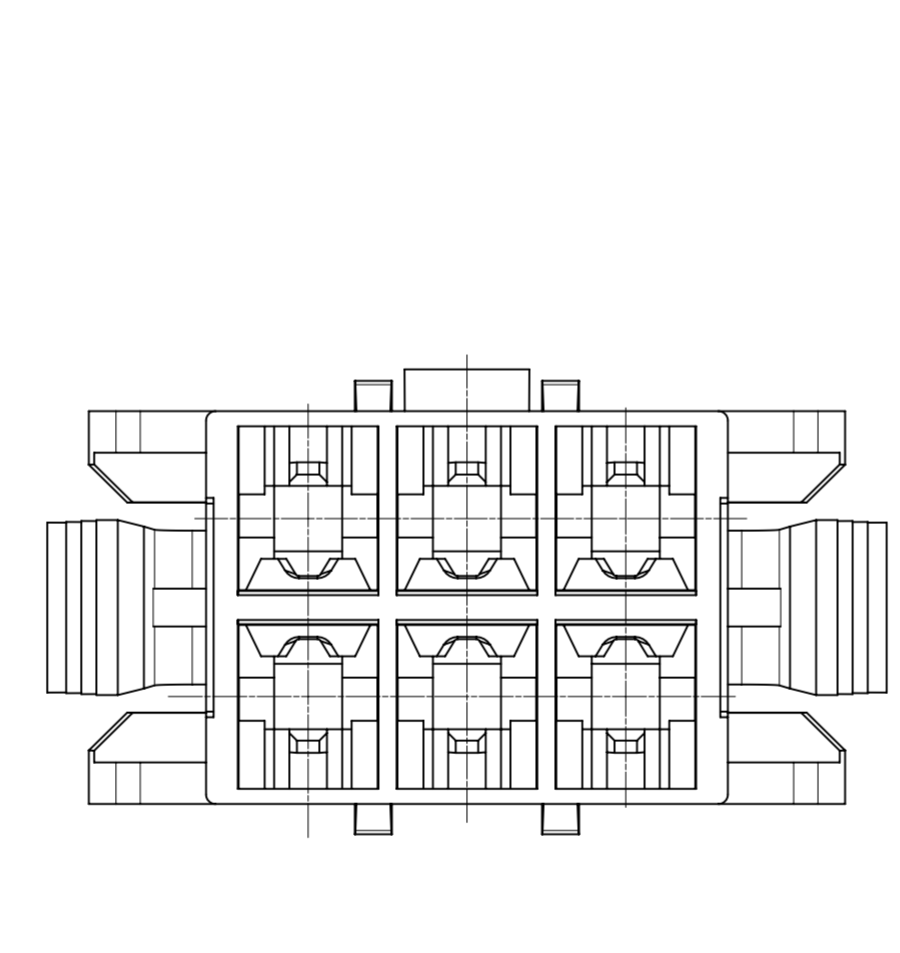
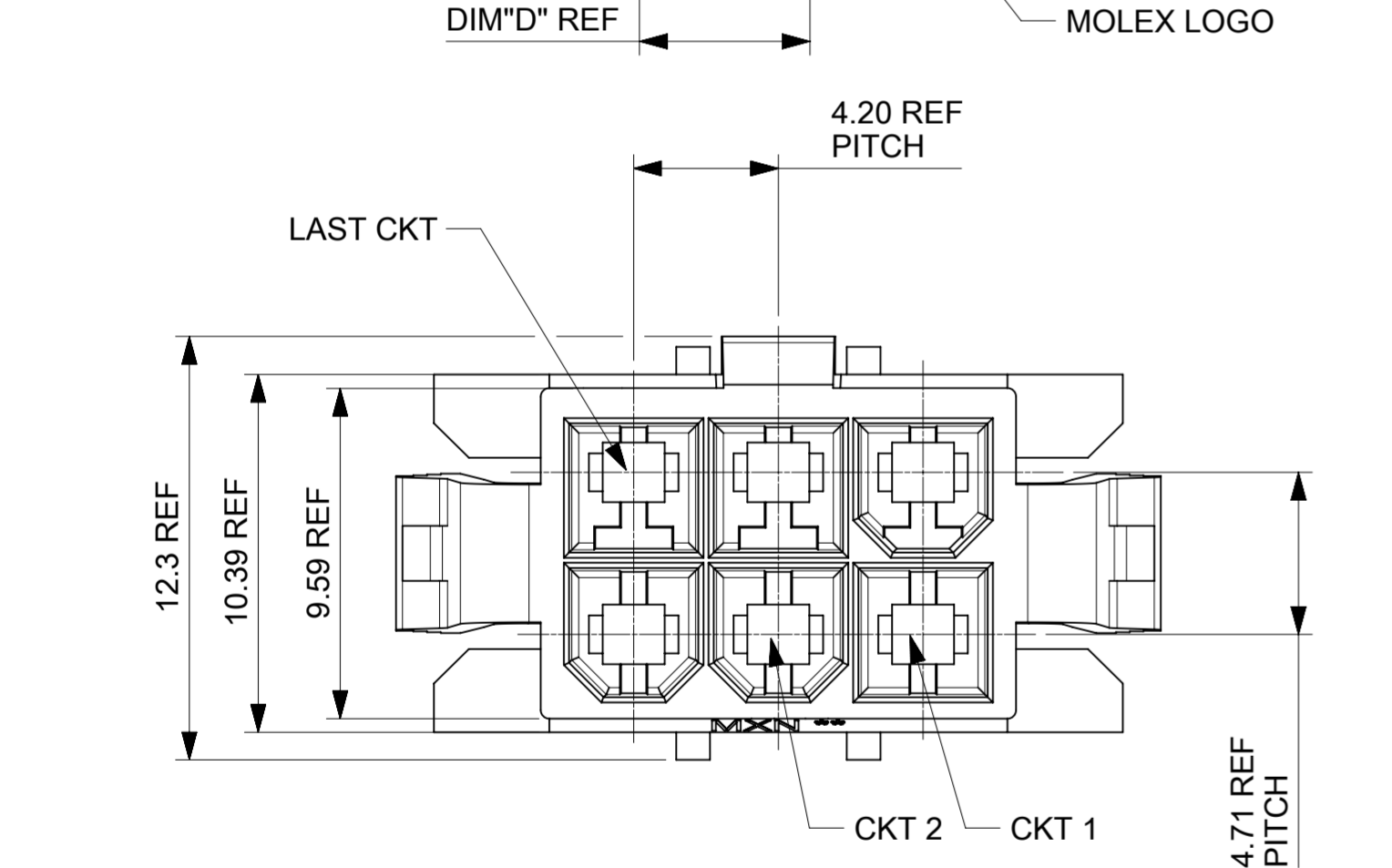
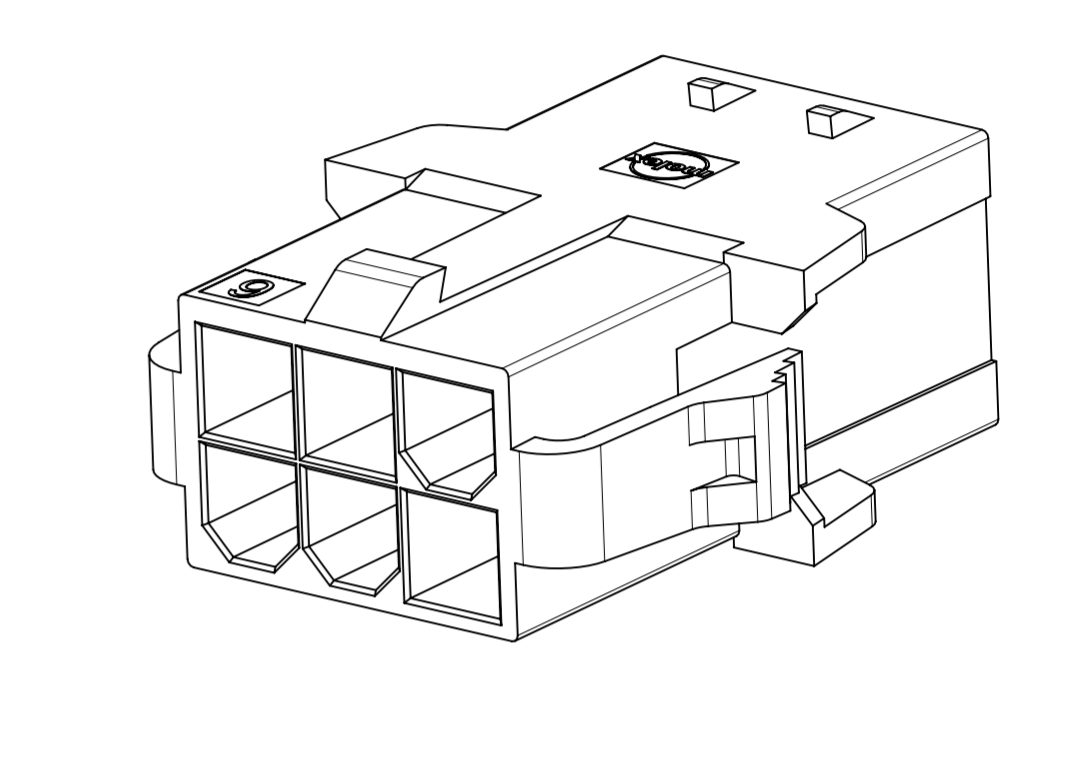


14 13 12 11 10 9 8 7 6 5 4 3 2 1



PLUG P/N	CKT	DIM "A"	DIM "B"	DIM "C"	DIM "D"
1727673002	2	5.40	5.80	10.80	4.95
1727673004	4	9.60	10.00	15.00	4.95
1727673006	6	13.80	14.20	19.20	4.95
1727673008	8	18.00	18.40	23.40	4.95
1727673010	10	22.20	22.60	27.60	12.95
1727673012	12	26.40	26.80	31.80	12.95
1727673014	14	30.60	31.00	36.00	12.95
1727673016	16	34.80	35.20	40.20	12.95
1727673018	18	39.00	39.40	44.40	20.95

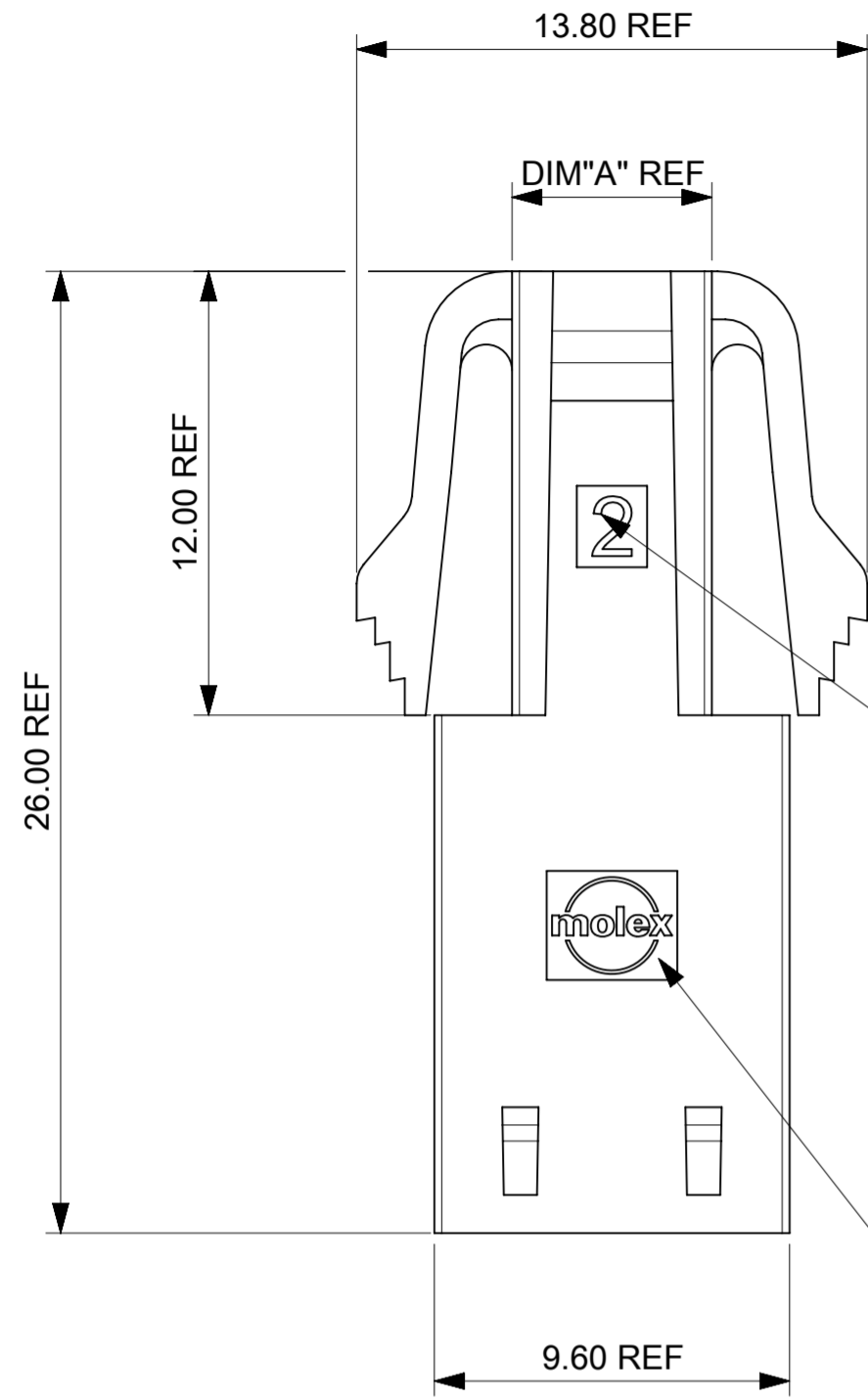


- NOTES:
- MATERIAL: NYLON, UL 94V-0 AND GLOW WIRE CAPABLE PER IEC60335-1; COLOR: BLACK
 - FINISH: NONE
 - PRODUCT SPECIFICATION: 2131370000-PS/2029880002-PS
APPLICATION SPECIFICATION: 2131370000-AS
 - PACKAGING SPECIFICATION: 172762-0001-PK
REFER TO AS-45499-001 FOR MOISTURIZING NYLON CONNECTOR PARTS.
 - THIS PART TO BE USED WITH FEMALE TERMINAL SERIES 172765, 203070 AND TPA SERIES 172709-2***.
 - THIS PART MATES WITH SERIES 172708-1***
 - THIS PART CONFORMS TO CLASS 'B' REQUIREMENTS OF COSMETIC SPECIFICATION PS-45499-002.
 - SEE DRAWING 1727090002-SD FOR OTHER TPA INFORMATION.
 - SEE DRAWING 1727080002-SD FOR OTHER RECEPTACLE INFORMATION.
 - SEE DRAWINGS SD-172718-0000 AND 2029880001-PSD FOR OTHER CRIMP TERMINAL INFORMATION.

RECOMMENDED PANEL CUT-OUT DIMENSIONS
PANEL THICKNESS 0.80-2.00MM

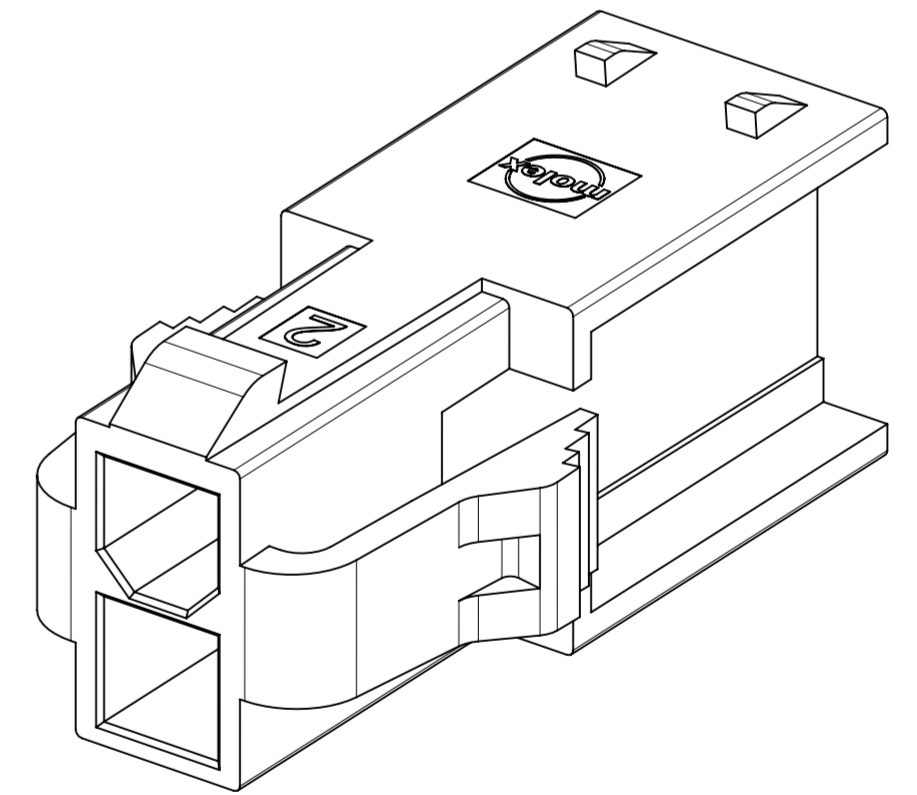
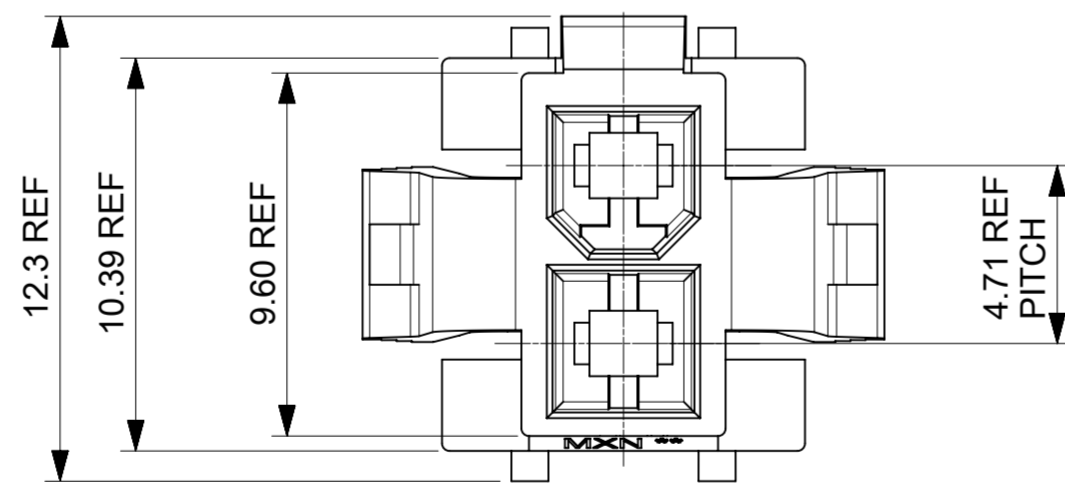
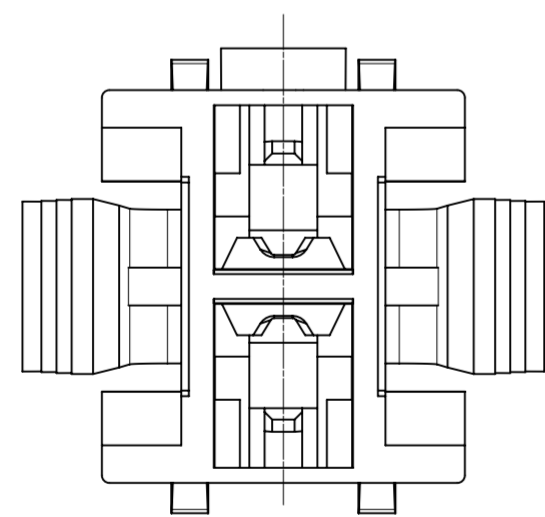
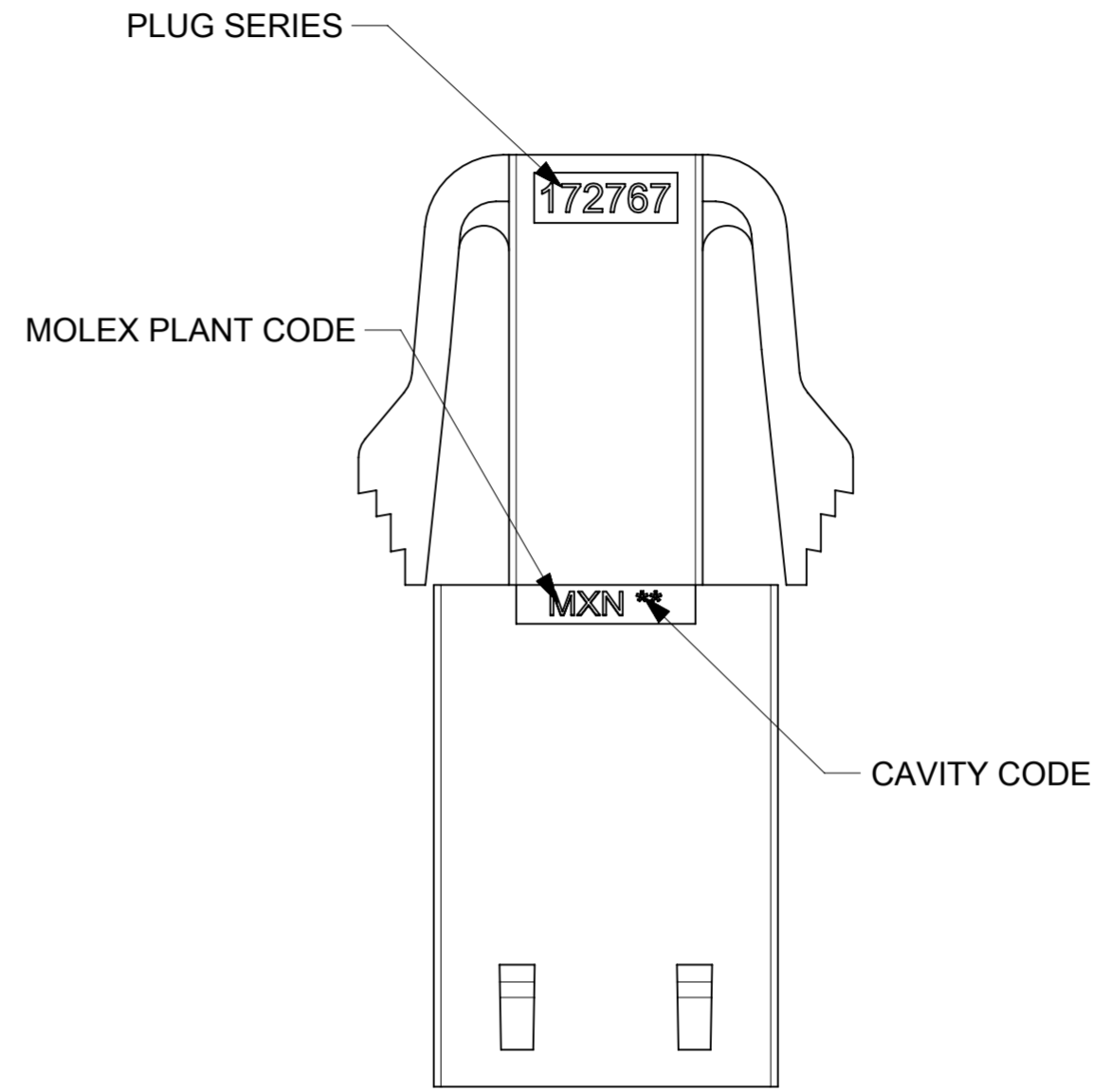
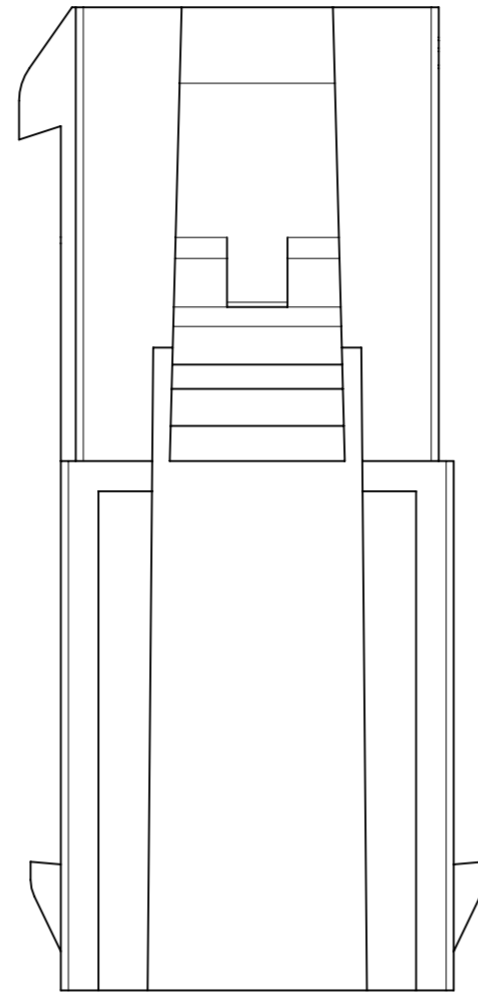
THIS DRAWING CONTAINS INFORMATION THAT IS PROPRIETARY TO MOLEX ELECTRONIC TECHNOLOGIES, LLC AND SHOULD NOT BE USED WITHOUT WRITTEN PERMISSION

DIMENSION UNITS	SCALE	CURRENT REV DESC:		molex									
mm	NTS												
GENERAL TOLERANCES (UNLESS SPECIFIED)				SD-DRAWING OF MINI-FIT SIGMA DR PLUG									
ANGULAR TOL	±	°		PRODUCT CUSTOMER DRAWING									
4 PLACES	±	EC NO: 787525		DOCUMENT NUMBER									
3 PLACES	±	DRWN: JERRYW8		2024/05/28									
2 PLACES	±	CHK'D: XQZHANG		2024/05/30									
1 PLACE	±	APPR: XQZHANG		2024/05/30									
0 PLACES	±	INITIAL REVISION:		DOC TYPE DOC PART REVISION									
DRAFT WHERE APPLICABLE MUST REMAIN WITHIN DIMENSIONS		THIRD ANGLE PROJECTION		DRAWING		SERIES		MATERIAL NUMBER		CUSTOMER		SHEET NUMBER	
		A2-SIZE		172767		SEE TABLE		GENERAL MARKET		1 OF 4			

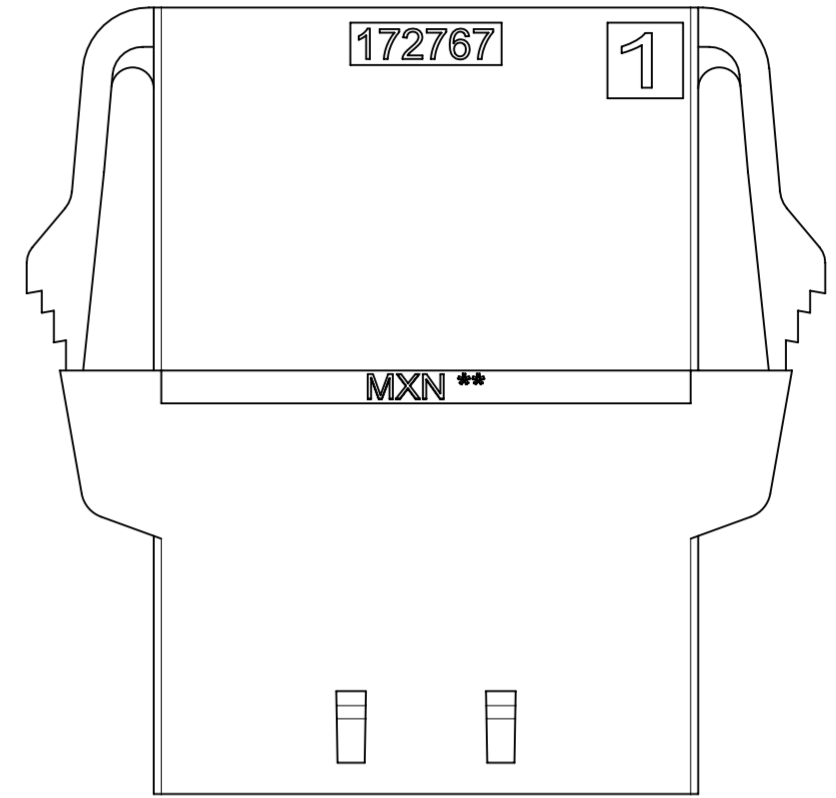
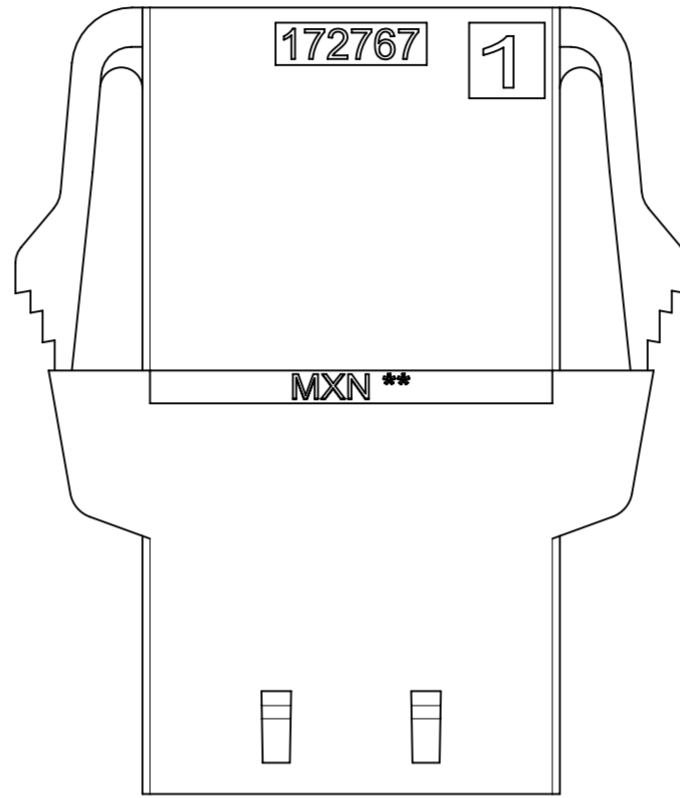
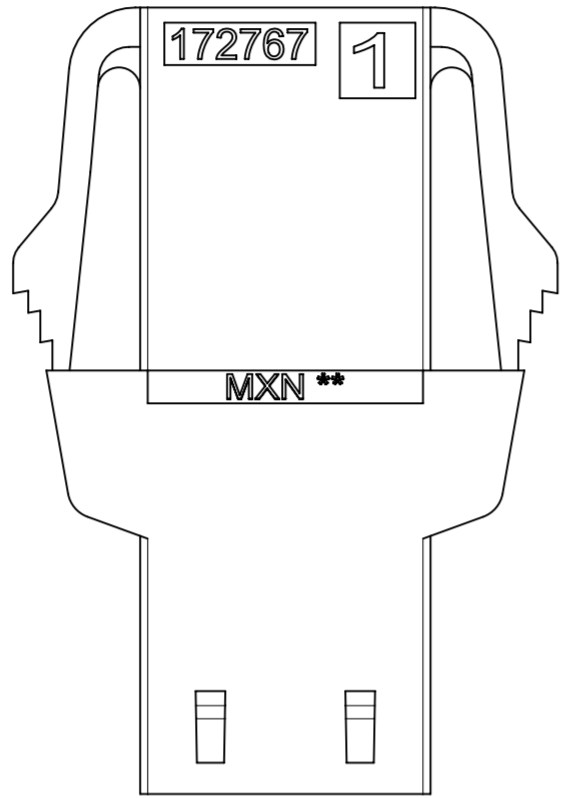
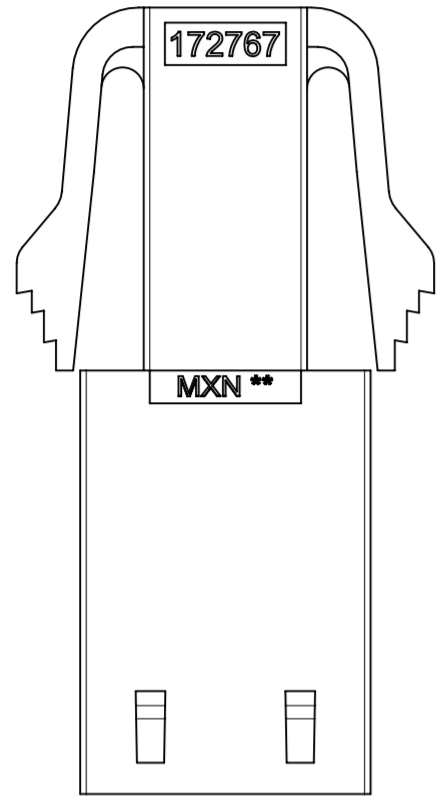
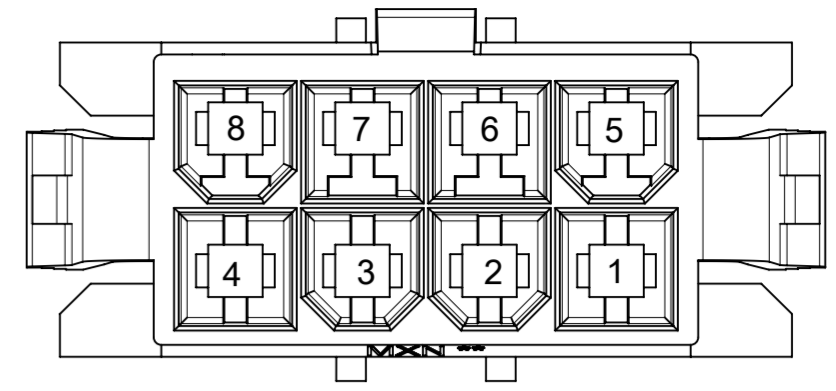
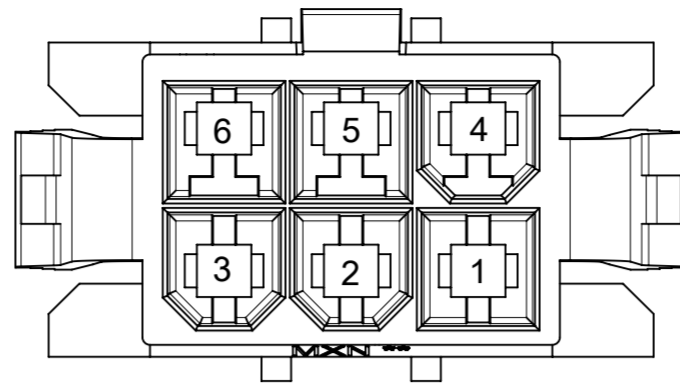
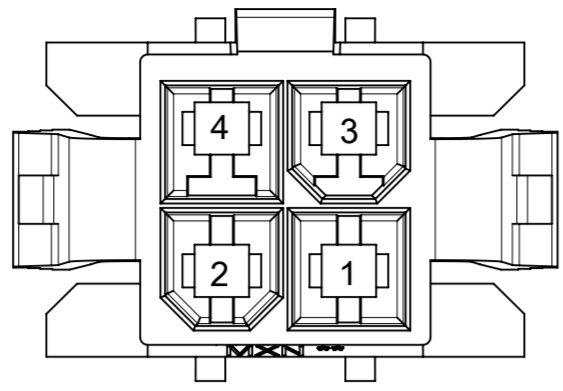
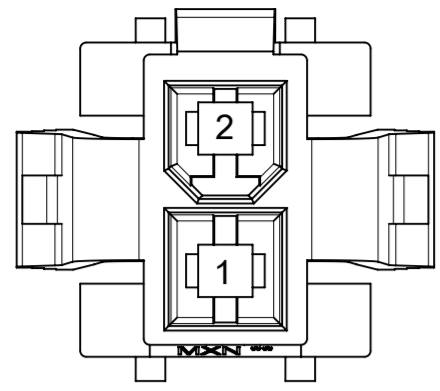


LAST CKT CODE

MOLEX LOGO



THIS DRAWING CONTAINS INFORMATION THAT IS PROPRIETARY TO MOLEX ELECTRONIC TECHNOLOGIES, LLC AND SHOULD NOT BE USED WITHOUT WRITTEN PERMISSION									
DIMENSION UNITS		SCALE		CURRENT REV DESC:					
mm		NTS							
GENERAL TOLERANCES (UNLESS SPECIFIED)								SD-DRAWING OF MINI-FIT SIGMA DR PLUG	
ANGULAR TOL		± °		EC NO: 787525				PRODUCT CUSTOMER DRAWING	
4 PLACES		±		DRWN: JERRYW8		2024/05/28			
3 PLACES		±		CHK'D: XQZHANG		2024/05/30			
2 PLACES		± 0.25		APPR: XQZHANG		2024/05/30			
1 PLACE		± 0.36		INITIAL REVISION:				DOCUMENT NUMBER	
0 PLACES		±		DRWN: ALUO02		2019/09/24		1727670002-SD	
				APPR: YXZHENG		2019/10/11		PSD 000 A7	
DRAFT WHERE APPLICABLE MUST REMAIN WITHIN DIMENSIONS		THIRD ANGLE PROJECTION		DRAWING		SERIES		MATERIAL NUMBER	
				A2-SIZE		172767		SEE TABLE	
				CUSTOMER		GENERAL MARKET		SHEET NUMBER	
								2 OF 4	

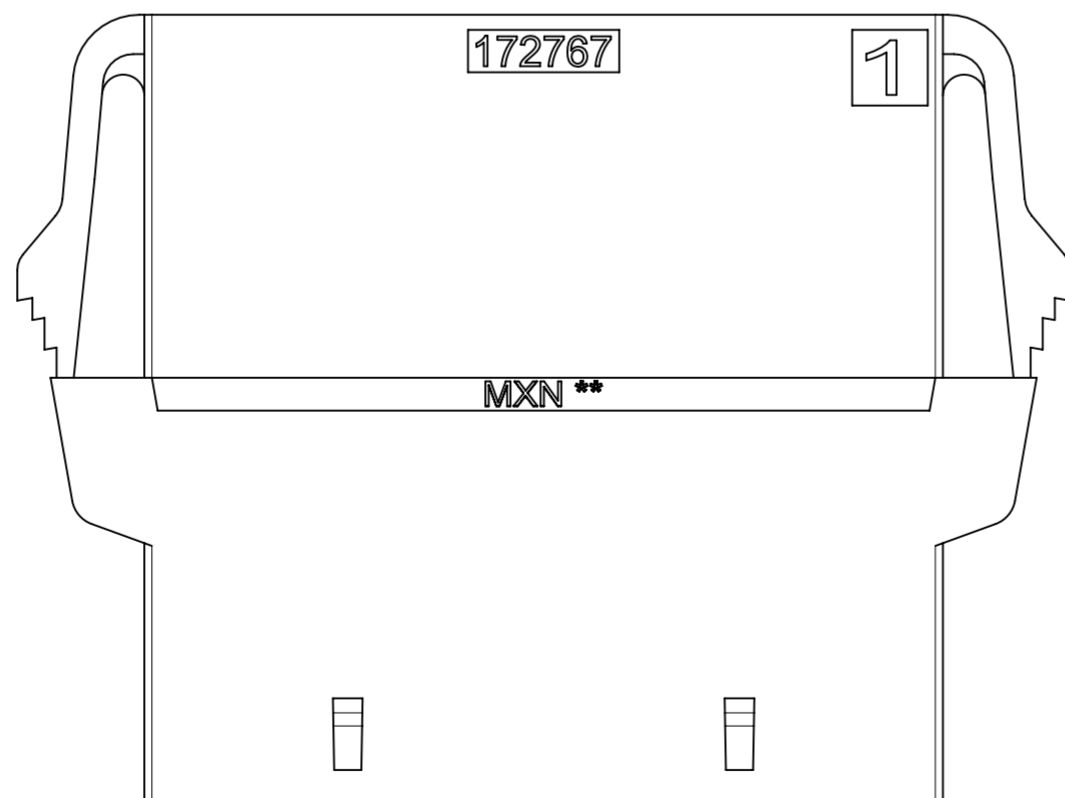
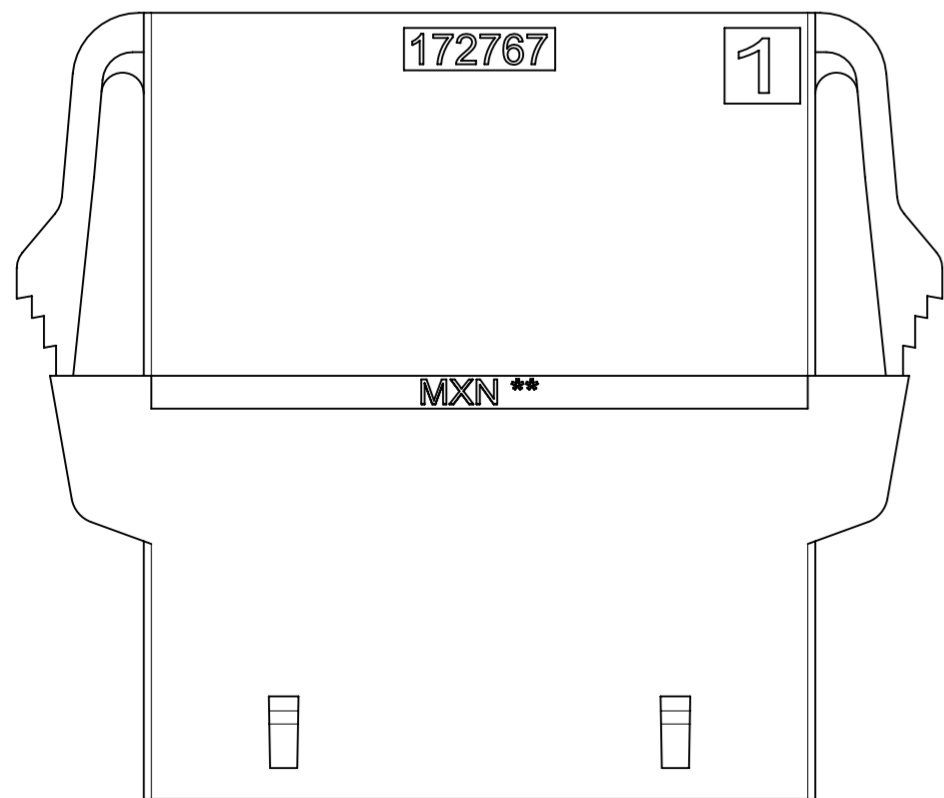
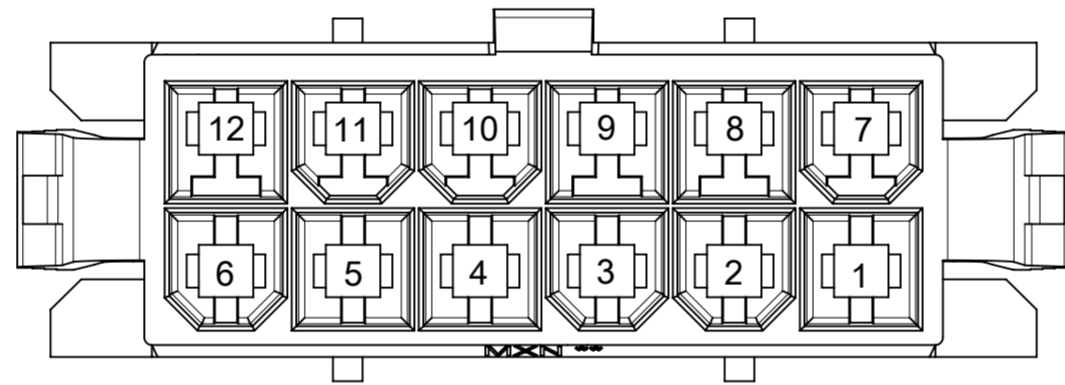
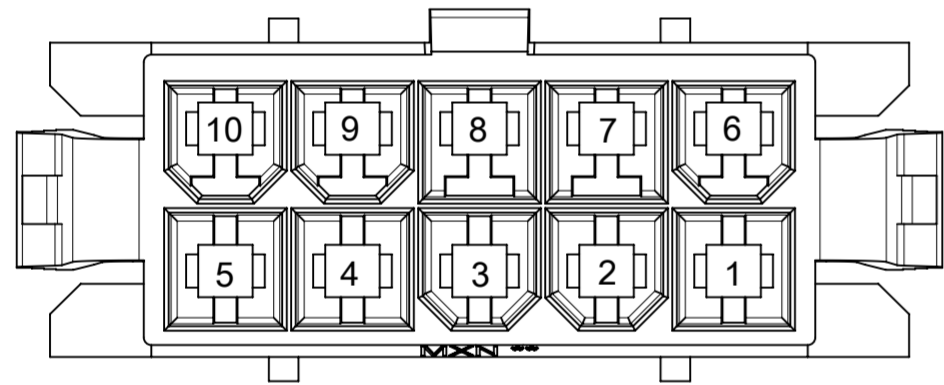


2-CKT

4-CKT

6-CKT

8-CKT

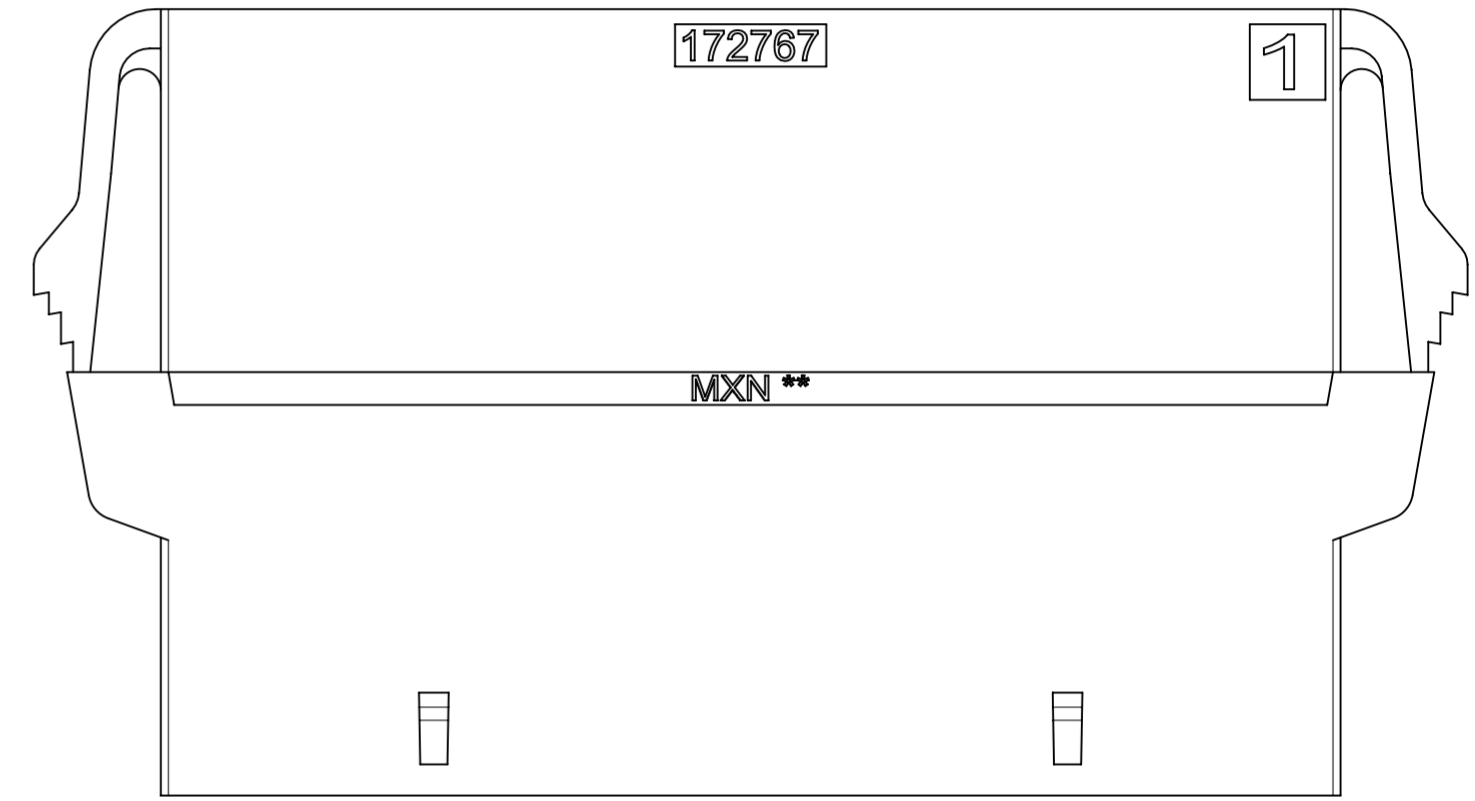
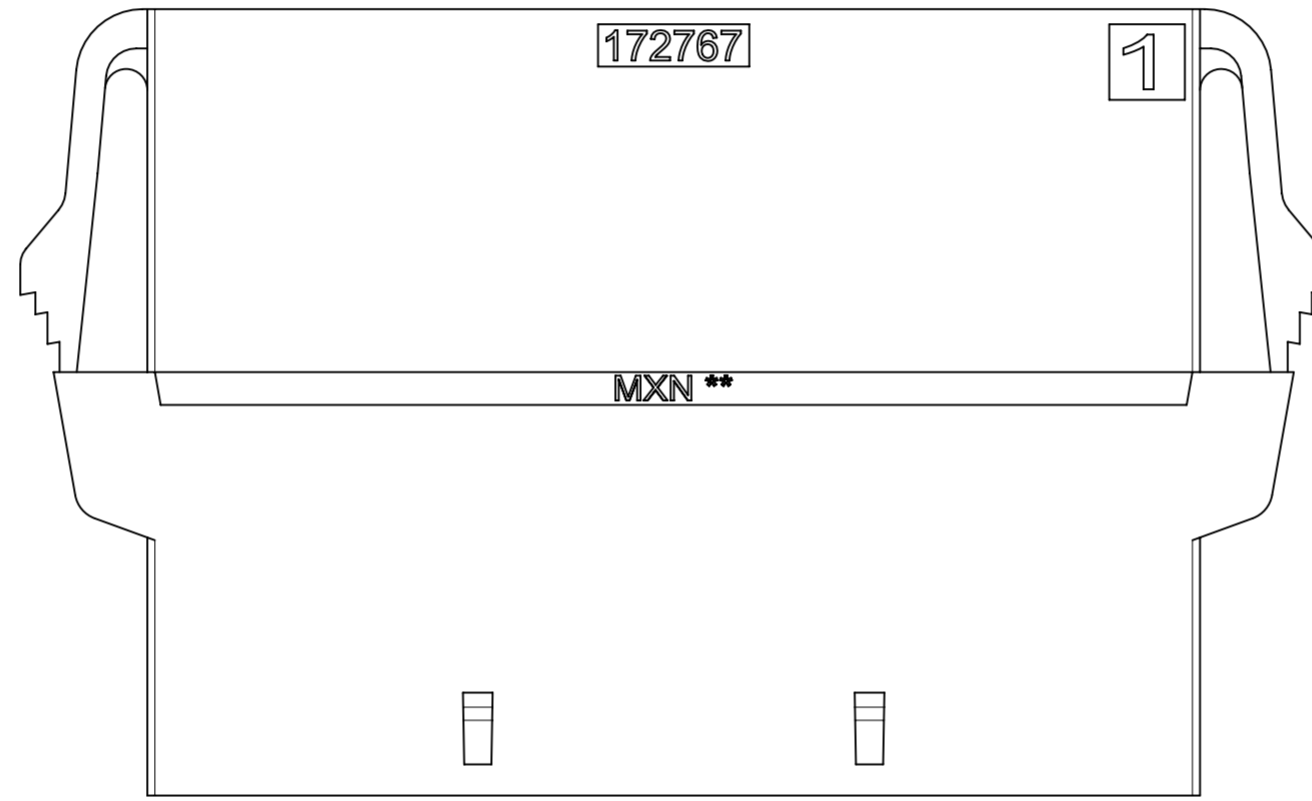
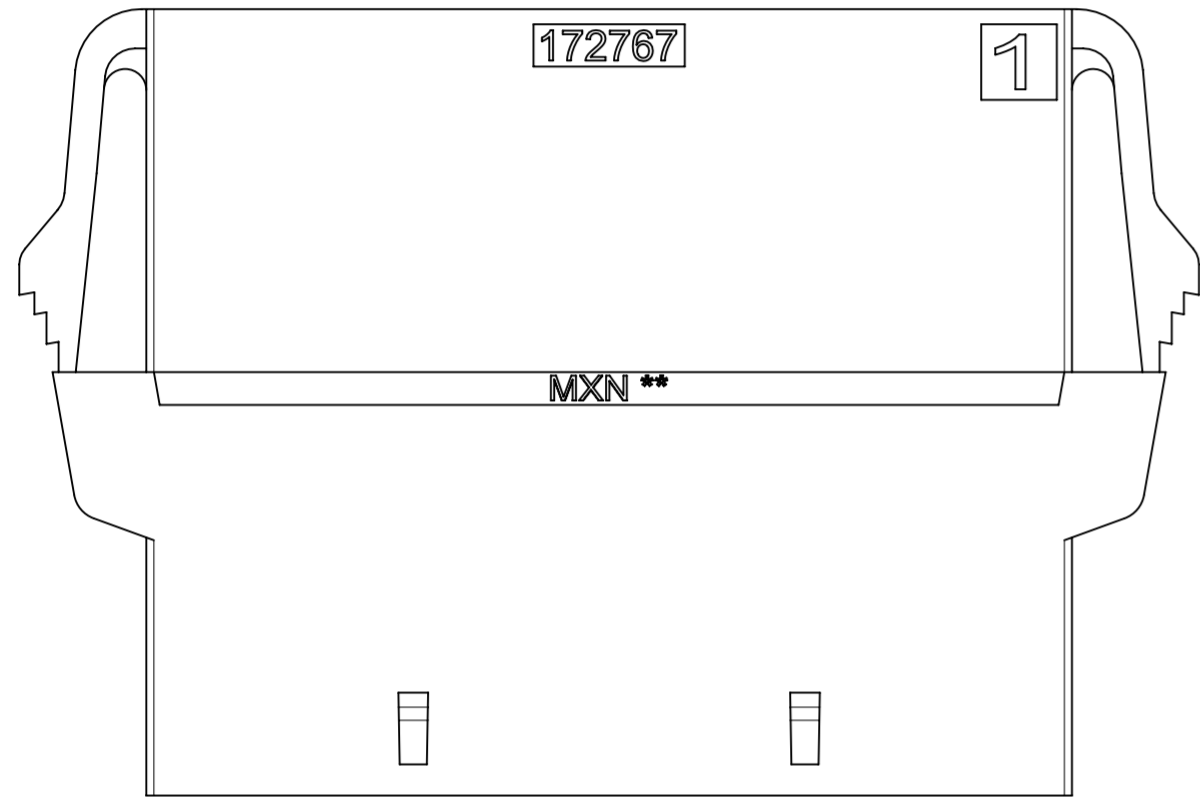
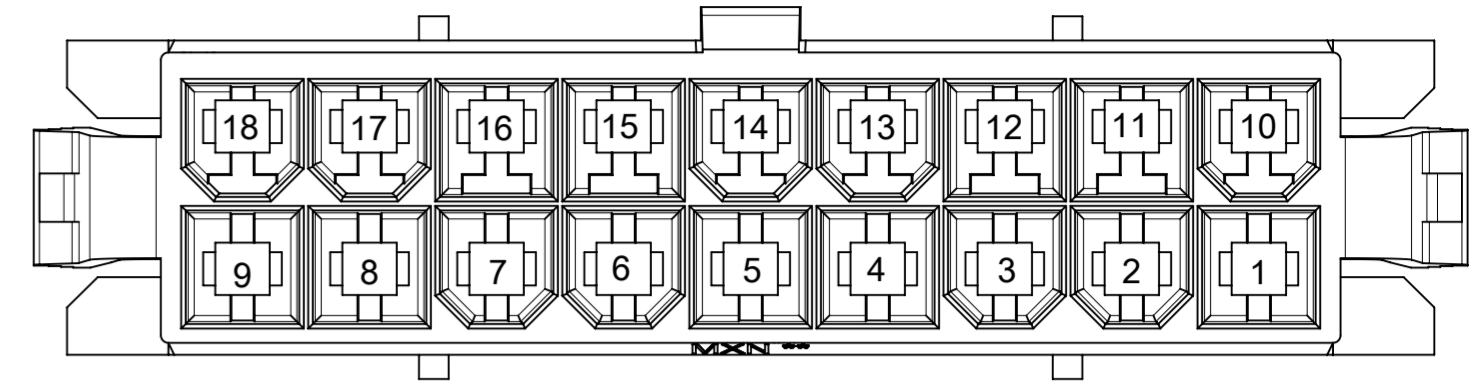
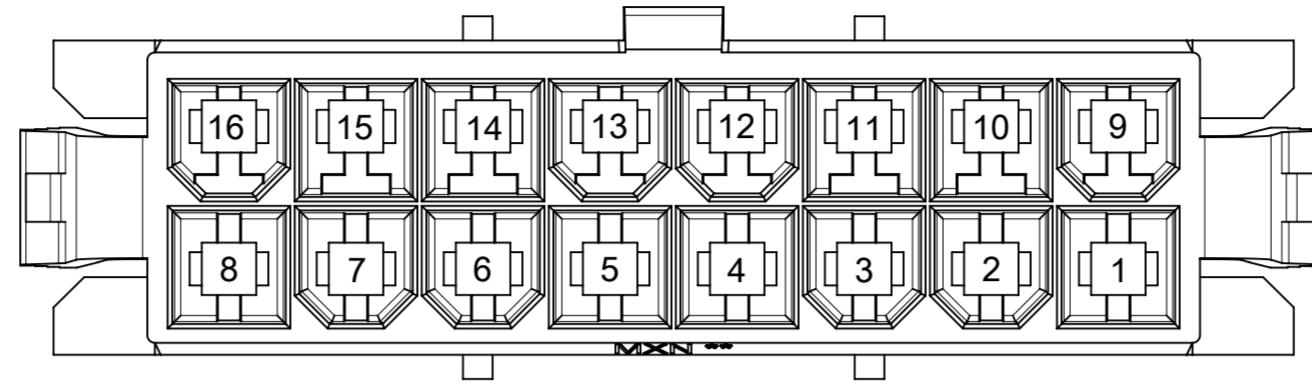
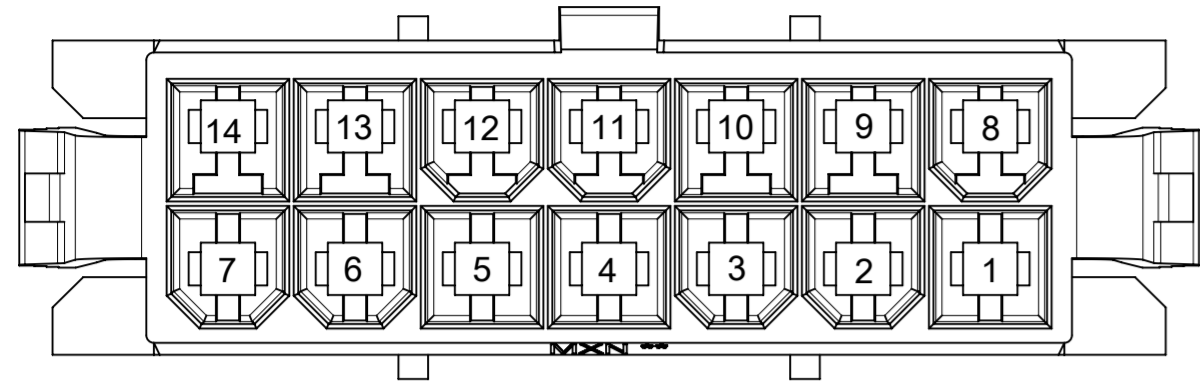


10-CKT

12-CKT

THIS DRAWING CONTAINS INFORMATION THAT IS PROPRIETARY TO MOLEX ELECTRONIC TECHNOLOGIES, LLC AND SHOULD NOT BE USED WITHOUT WRITTEN PERMISSION

DIMENSION UNITS	SCALE	CURRENT REV DESC:		molex			
mm	NTS						
GENERAL TOLERANCES (UNLESS SPECIFIED)				SD-DRAWING OF MINI-FIT SIGMA DR PLUG			
ANGULAR TOL	± °	EC NO: 787525		PRODUCT CUSTOMER DRAWING			
4 PLACES	±	DRWN: JERRYW8	2024/05/28	DOCUMENT NUMBER			
3 PLACES	±	CHK'D: XQZHANG	2024/05/30	1727670002-SD			
2 PLACES	± 0.25	APPR: XQZHANG	2024/05/30	DOC TYPE	DOC PART	REVISION	
1 PLACE	± 0.36	INITIAL REVISION:		PSD 000 A7			
0 PLACES	±	DRWN: ALUO02	2019/09/24	MATERIAL NUMBER			
DRAFT WHERE APPLICABLE MUST REMAIN WITHIN DIMENSIONS		APPR: YXZHENG	2019/10/11	CUSTOMER		SHEET NUMBER	
		THIRD ANGLE PROJECTION	DRAWING	SERIES	172767	SEE TABLE	GENERAL MARKET
			A2-SIZE	3 OF 4			



14-CKT

16-CKT

18-CKT

THIS DRAWING CONTAINS INFORMATION THAT IS PROPRIETARY TO MOLEX ELECTRONIC TECHNOLOGIES, LLC AND SHOULD NOT BE USED WITHOUT WRITTEN PERMISSION

DIMENSION UNITS	SCALE	CURRENT REV DESC:		molex							
mm	NTS										
GENERAL TOLERANCES (UNLESS SPECIFIED)				SD-DRAWING OF MINI-FIT SIGMA DR PLUG							
ANGULAR TOL	±	°		PRODUCT CUSTOMER DRAWING							
4 PLACES	±	EC NO: 787525		DOCUMENT NUMBER							
3 PLACES	±	DRWN: JERRYW8		2024/05/28							
2 PLACES	±	CHK'D: XQZHANG		2024/05/30							
1 PLACE	±	APPR: XQZHANG		2024/05/30							
0 PLACES	±	INITIAL REVISION:		MATERIAL NUMBER							
DRAFT WHERE APPLICABLE MUST REMAIN WITHIN DIMENSIONS		THIRD ANGLE PROJECTION		DRAWING		SERIES		CUSTOMER		SHEET NUMBER	
				A2-SIZE		172767		SEE TABLE		4 OF 4	

molex			
SD-DRAWING OF MINI-FIT SIGMA DR PLUG			
PRODUCT CUSTOMER DRAWING			
DOCUMENT NUMBER	DOC TYPE	DOC PART	REVISION
1727670002-SD	PSD	000	A7
MATERIAL NUMBER		CUSTOMER	
SEE TABLE		GENERAL MARKET	