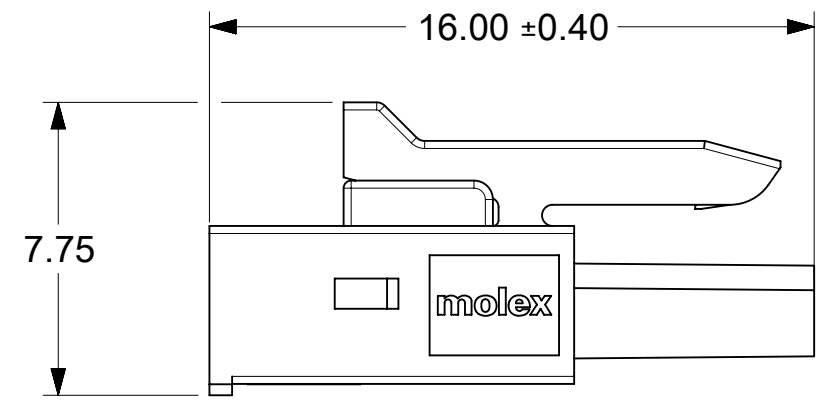
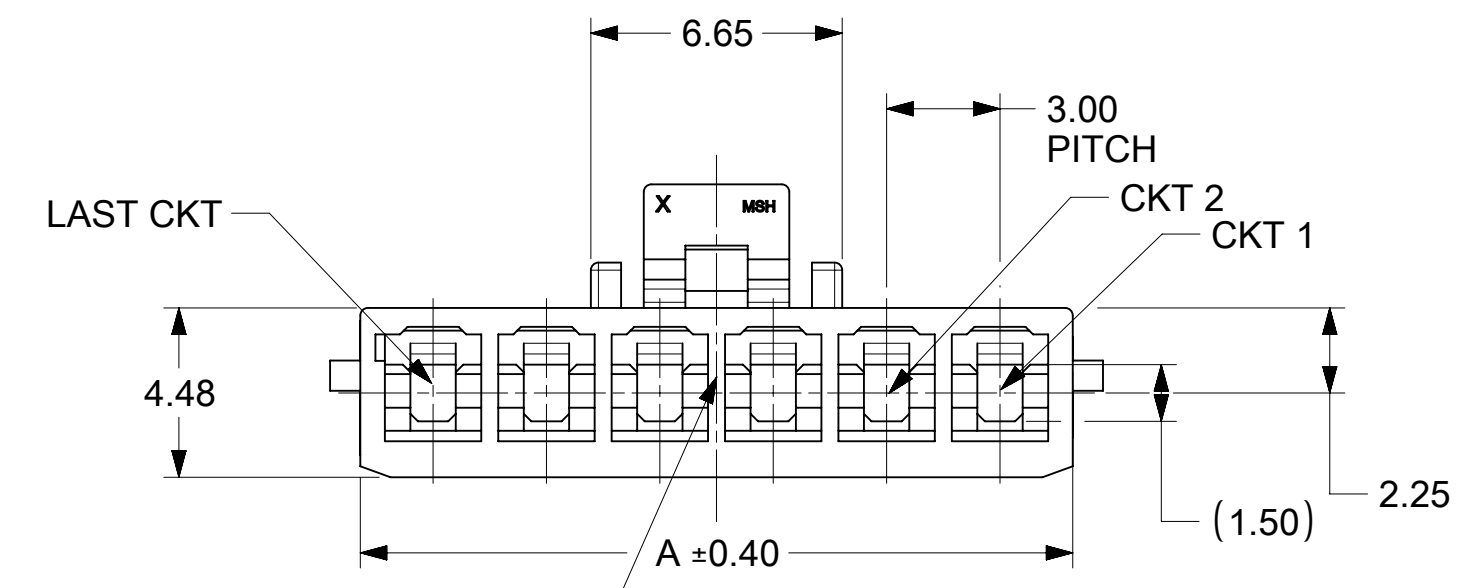
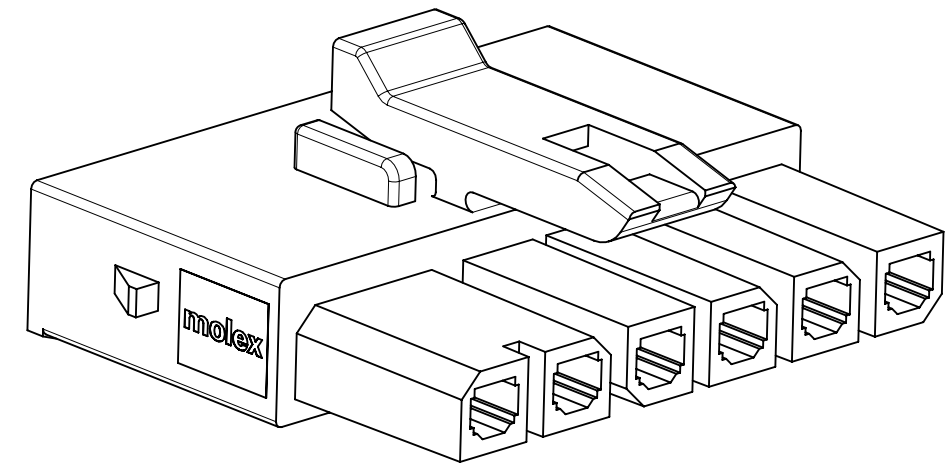
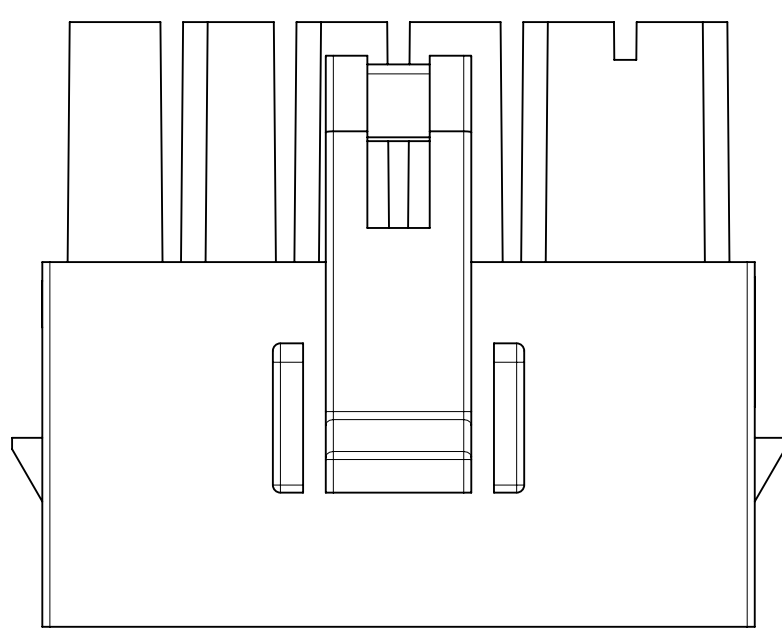
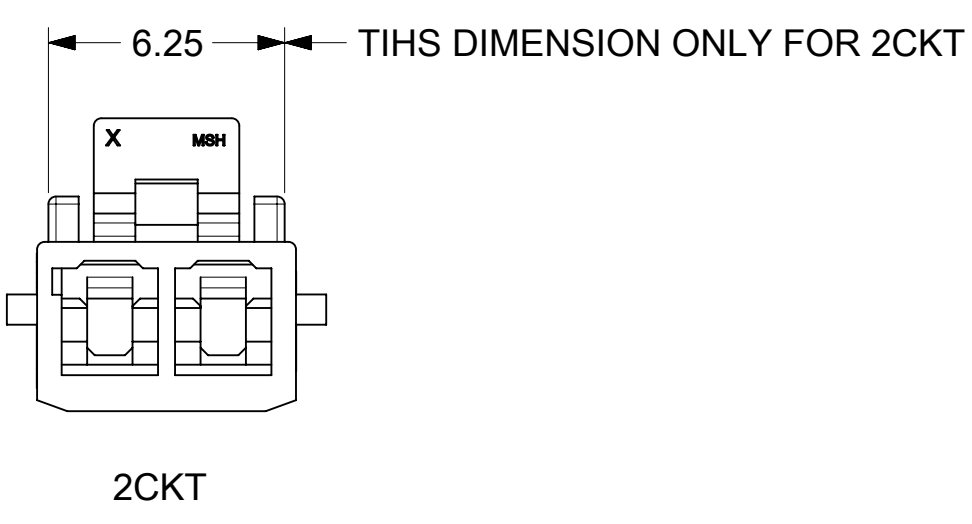


| CIRCUIT | A |
|---------|-------|
| 2 | 6.85 |
| 3 | 9.85 |
| 4 | 12.85 |
| 5 | 15.85 |
| 6 | 18.85 |
| 7 | 21.85 |
| 8 | 24.85 |



CENTER OF DIMENSION 1.5



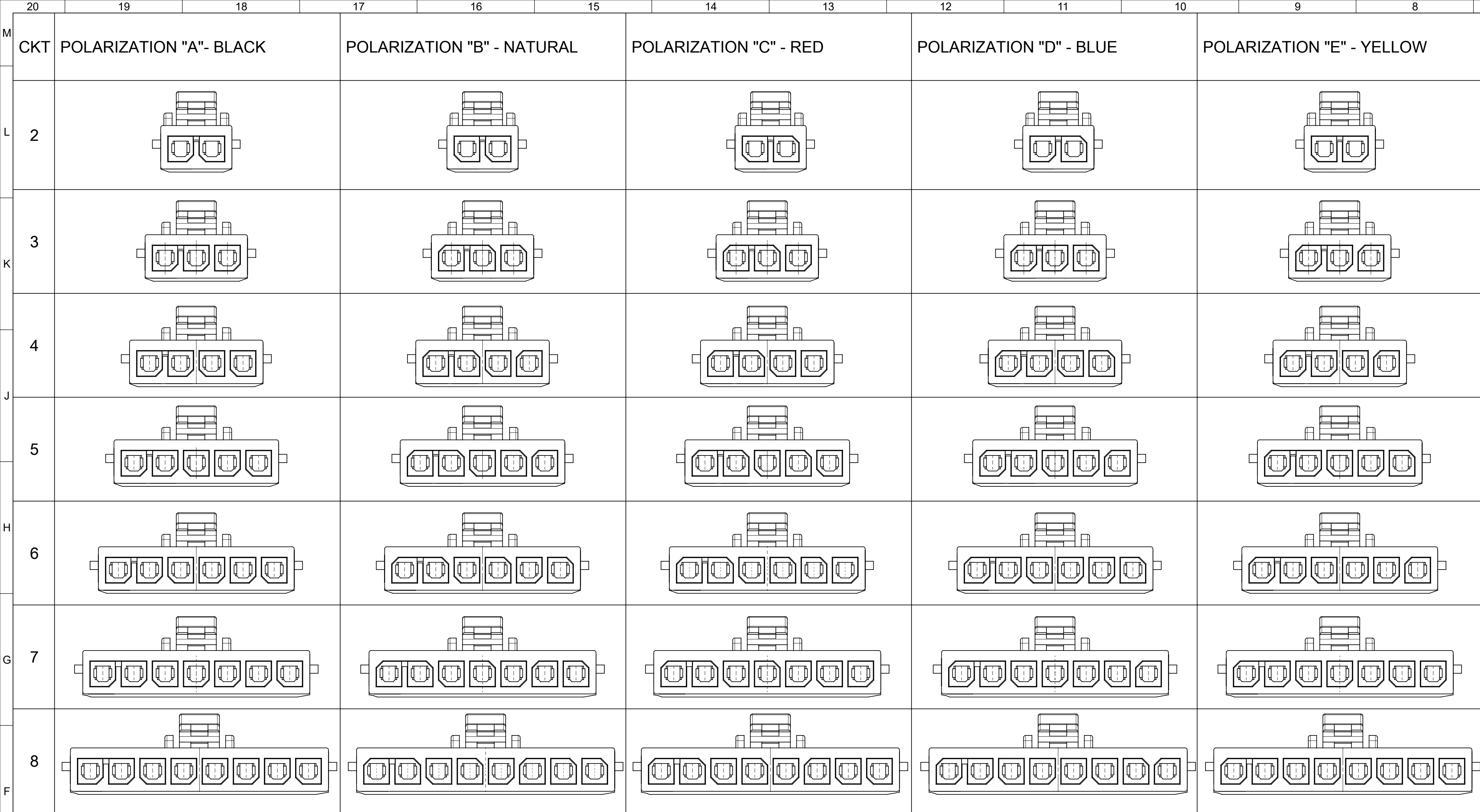
LEGEND

- 215759- X X X X
- CKT SIZE
2-8
 - POLARIZATION/COLOR
0- BLACK
1- NATURAL
2- RED
3- BLUE
4- YELLOW
 - 1 - RESIN : NON-LOW HALOGEN
2 - RESIN : LOW HALOGEN

- NOTES:
- MATERIALS:
 - PA66 UL RATED 94V-0, GLOW WIRE, COLOR: SEE TABLE
 - PA66 UL RATED 94V-0, LOW HALOGEN, COLOR: BLACK
 - PRODUCT SPECIFICATION: 2064600000-PS
 - PRODUCT TEST SUMMARY: 2157590005-TS
 - PACKAGING SPECIFICATION: 2157590003-PK
 - PARTS CONFORMS TO CLASS 'B' REQUIREMENTS OF COSMETIC SPECIFICATION PS-45499-002.
 - THIS HOUSING TO BE USED WITH MOLEX FEMALE TERMINAL 206460
 - THIS PART MATES WITH 216571 OR 215760
 - THIS PART MATES WITH TPA 206462

| THIS DRAWING CONTAINS INFORMATION THAT IS PROPRIETARY TO MOLEX ELECTRONIC TECHNOLOGIES, LLC AND SHOULD NOT BE USED WITHOUT WRITTEN PERMISSION | | | | | | | | | | |
|---|-------|---------------------------|--|---------|--------|--------------------------------------|----------------|----------|----------|--------------|
| DIMENSION UNITS | SCALE | CURRENT REV DESC: | | | | | | | | |
| mm | NTS | | | | | | | | | |
| GENERAL TOLERANCES (UNLESS SPECIFIED) | | EC NO: 770514 | | | | MICRO-FIT PLUS SR RECEPTACLE HOUSING | | | | |
| ANGULAR TOL ± ° | | DRWN: ZIXUAQ 2023/11/22 | | | | | | | | |
| 4 PLACES ± | | CHK'D: XQZHANG 2023/12/04 | | | | PRODUCT CUSTOMER DRAWING | | | | |
| 3 PLACES ± | | APPR: XQZHANG 2023/12/04 | | | | | | | | |
| 2 PLACES ± 0.25 | | INITIAL REVISION: | | | | DOCUMENT NUMBER | | DOC TYPE | DOC PART | REVISION |
| 1 PLACE ± 0.35 | | DRWN: HPAN18 2020/10/13 | | | | 2157590002 | | PSD | 000 | A3 |
| 0 PLACES ± | | APPR: YXZHENG 2021/02/08 | | | | MATERIAL NUMBER | | CUSTOMER | | SHEET NUMBER |
| DRAFT WHERE APPLICABLE MUST REMAIN WITHIN DIMENSIONS | | THIRD ANGLE PROJECTION | | DRAWING | SERIES | SEE TABLE | GENERAL MARKET | | 1 OF 2 | |

| | | | | |
|-----------------|----|--------------|------------|----------|
| DOCUMENT STATUS | P1 | RELEASE DATE | 2023/12/04 | 17:30:09 |
|-----------------|----|--------------|------------|----------|



| PART NUMBER | CKT SIZE | POLARISATION | COLOR | HALOGEN | TOOLING STATUS |
|-------------|----------|--------------|-------------|-------------|----------------|
| 2157591002 | 2 | A | BLACK | -- | TOOLED |
| 2157591012 | | B | NATURAL | -- | TOOLED |
| 2157591022 | | C | RED | -- | TOOLED |
| 2157591032 | | D | BLUE | -- | TOOLED |
| 2157591042 | | E | YELLOW | -- | TOOLED |
| 2157592012 | 3 | A | BLACK | LOW HALOGEN | TOOLED |
| 2159591003 | | A | BLACK | -- | TOOLED |
| 2157591013 | | B | NATURAL | -- | TOOLED |
| 2157591023 | | C | RED | -- | TOOLED |
| 2157591033 | | D | BLUE | -- | TOOLED |
| 2157591043 | E | YELLOW | -- | TOOLED | |
| 2157592013 | 4 | A | BLACK | LOW HALOGEN | NOT TOOLED |
| 2159591004 | | A | BLACK | -- | TOOLED |
| 2157591014 | | B | NATURAL | -- | TOOLED |
| 2157591024 | | C | RED | -- | TOOLED |
| 2157591034 | | D | BLUE | -- | TOOLED |
| 2157591044 | E | YELLOW | -- | TOOLED | |
| 2157592014 | 5 | A | BLACK | LOW HALOGEN | TOOLED |
| 2157591005 | | A | BLACK | -- | TOOLED |
| 2157591015 | | B | NATURAL | -- | TOOLED |
| 2157591025 | | C | RED | -- | TOOLED |
| 2157591035 | | D | BLUE | -- | TOOLED |
| 2157591045 | E | YELLOW | -- | TOOLED | |
| 2157592015 | 6 | A | BLACK | LOW HALOGEN | NOT TOOLED |
| 2157591006 | | A | BLACK | -- | TOOLED |
| 2157591016 | | B | NATURAL | -- | TOOLED |
| 2157591026 | | C | RED | -- | TOOLED |
| 2157591036 | | D | BLUE | -- | TOOLED |
| 2157591046 | E | YELLOW | -- | TOOLED | |
| 2157592016 | 7 | A | BLACK | LOW HALOGEN | NOT TOOLED |
| 2157591007 | | A | BLACK | -- | TOOLED |
| 2157591017 | | B | NATURAL | -- | TOOLED |
| 2157591027 | | C | RED | -- | TOOLED |
| 2157591037 | | D | BLUE | -- | TOOLED |
| 2157591047 | E | YELLOW | -- | TOOLED | |
| 2157592017 | 8 | A | BLACK | LOW HALOGEN | TOOLED |
| 2157591008 | | A | BLACK | -- | TOOLED |
| 2157591018 | | B | NATURAL | -- | TOOLED |
| 2157591028 | | C | RED | -- | TOOLED |
| 2157591038 | | D | BLUE | -- | TOOLED |
| 2157591048 | E | YELLOW | -- | TOOLED | |
| 2157592018 | A | BLACK | LOW HALOGEN | NOT TOOLED | |

THIS DRAWING CONTAINS INFORMATION THAT IS PROPRIETARY TO MOLEX ELECTRONIC TECHNOLOGIES, LLC AND SHOULD NOT BE USED WITHOUT WRITTEN PERMISSION

| | | | | | | |
|--|------------------------|---|--------------------------------------|-----------------|----------------|--------------|
| DIMENSION UNITS mm | SCALE NTS | CURRENT REV DESC: | | | | |
| GENERAL TOLERANCES (UNLESS SPECIFIED) | | | | | | |
| ANGULAR TOL | ± ° | EC NO: 770514 DRWN: ZIXUAQ 2023/11/22 CHK'D: XQZHANG 2023/12/04 APPR: XQZHANG 2023/12/04 INITIAL REVISION: DRWN: HPAN18 2020/10/13 APPR: YXZHENG 2021/02/08 | MICRO-FIT PLUS SR RECEPTACLE HOUSING | | | |
| 4 PLACES | ± | | PRODUCT CUSTOMER DRAWING | | | |
| 3 PLACES | ± | | DOCUMENT NUMBER | | | |
| 2 PLACES | ± 0.25 | | 2157590002 | | | |
| 1 PLACE | ± 0.35 | | DOC TYPE DOC PART REVISION | | | |
| 0 PLACES | ± | PSD 000 A3 | | | | |
| DRAFT WHERE APPLICABLE MUST REMAIN WITHIN DIMENSIONS | THIRD ANGLE PROJECTION | DRAWING | SERIES | MATERIAL NUMBER | CUSTOMER | SHEET NUMBER |
| | | D-SIZE | 215759 | SEE TABLE | GENERAL MARKET | 2 OF 2 |