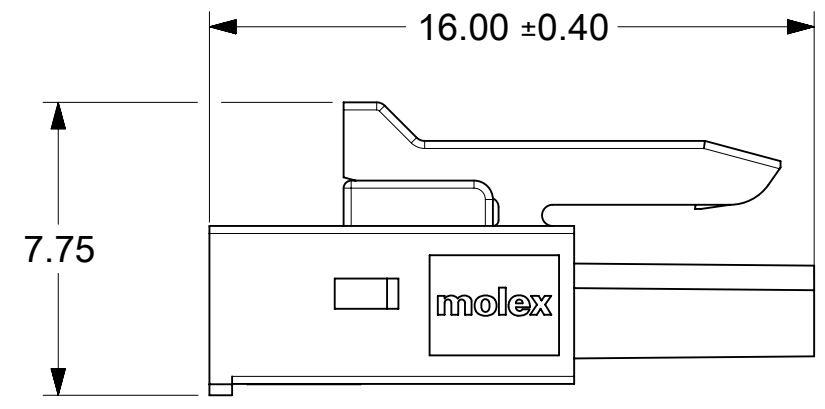
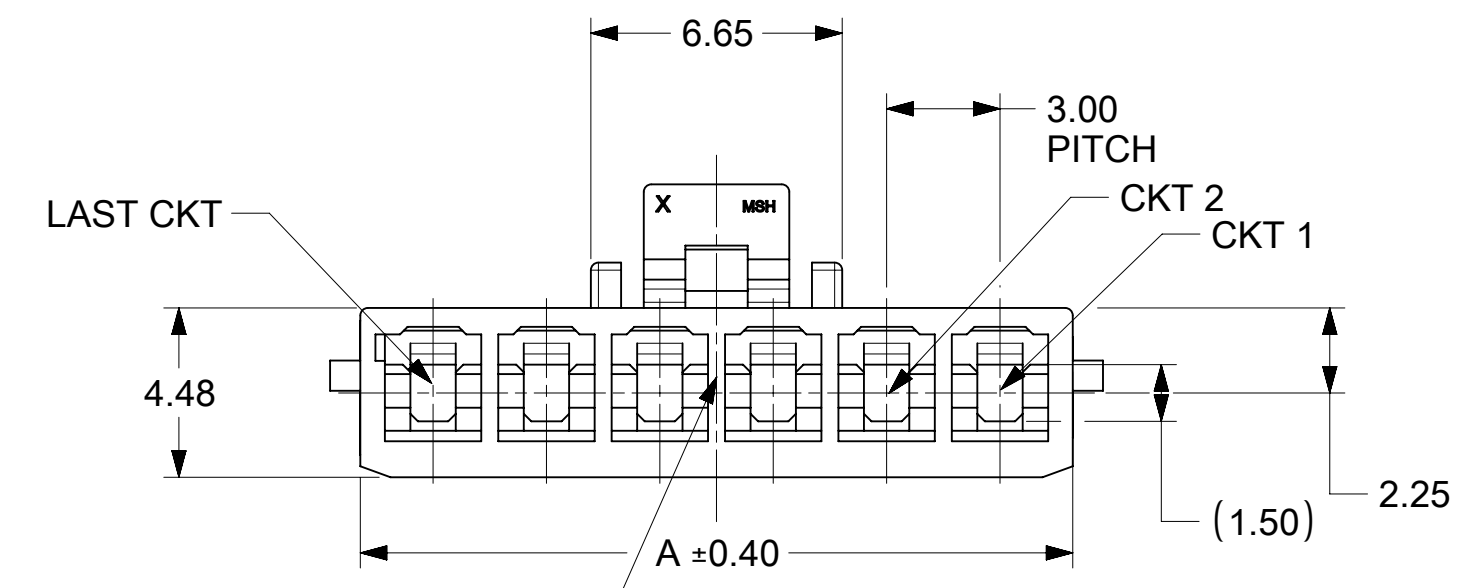
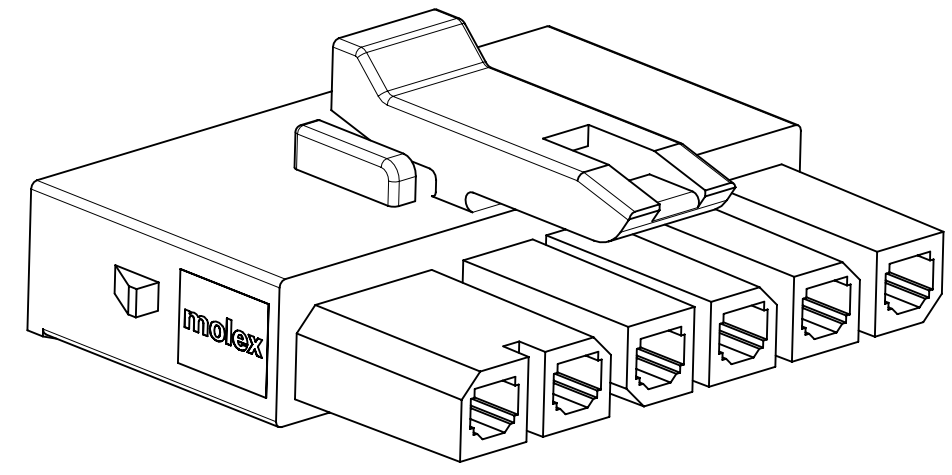
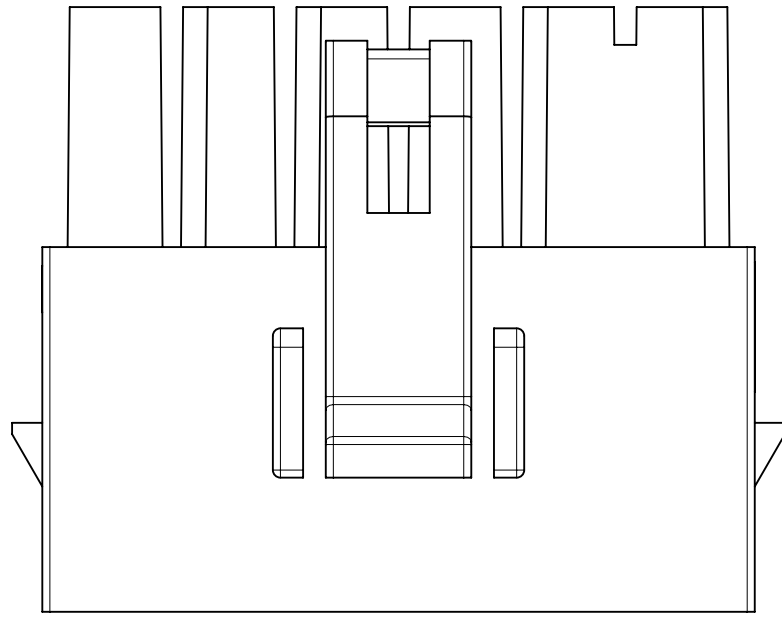
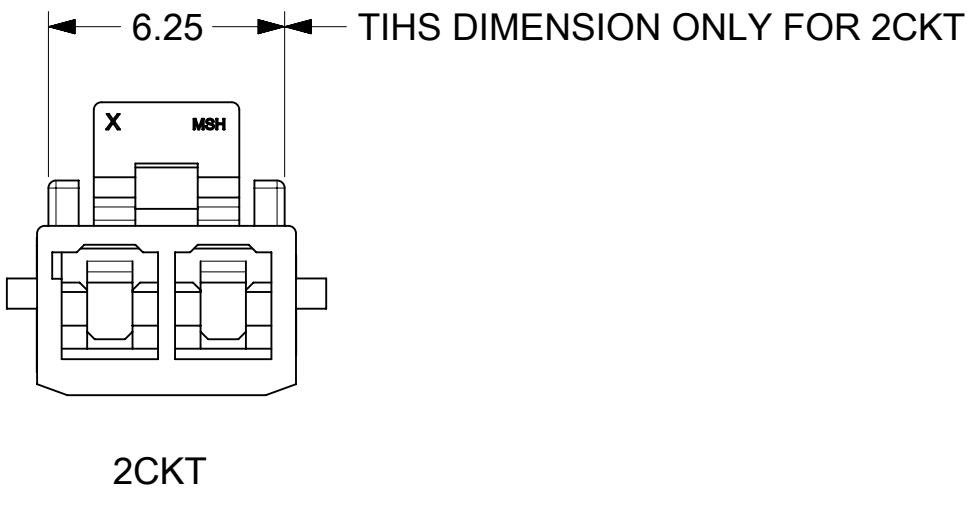


CIRCUIT	A
2	6.85
3	9.85
4	12.85
5	15.85
6	18.85
7	21.85
8	24.85



CENTER OF DIMENSION 1.5



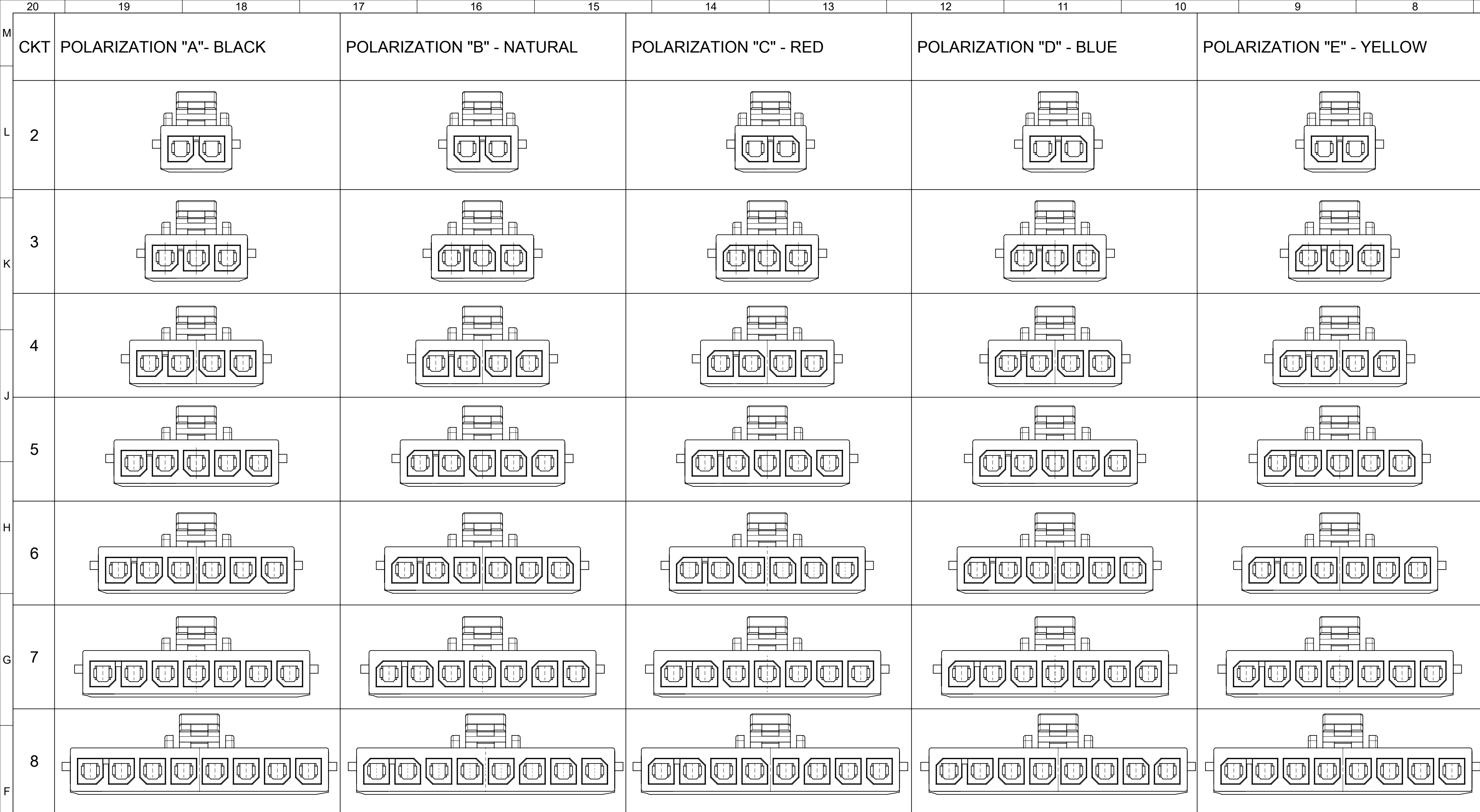
LEGEND

- 215759- X X X X
- CKT SIZE
2-8
 - POLARIZATION/COLOR
0- BLACK
1- NATURAL
2- RED
3- BLUE
4- YELLOW
 - 1 - RESIN : NON-LOW HALOGEN
2 - RESIN : LOW HALOGEN

- NOTES:
- MATERIALS:
 - PA66 UL RATED 94V-0, GLOW WIRE, COLOR: SEE TABLE
 - PA66 UL RATED 94V-0, LOW HALOGEN, COLOR: BLACK
 - PRODUCT SPECIFICATION: 2064600000-PS
 - PRODUCT TEST SUMMARY: 2157590005-TS
 - PACKAGING SPECIFICATION: 2157590003-PK
 - PARTS CONFORMS TO CLASS 'B' REQUIREMENTS OF COSMETIC SPECIFICATION PS-45499-002.
 - THIS HOUSING TO BE USED WITH MOLEX FEMALE TERMINAL 206460
 - THIS PART MATES WITH 216571 OR 215760
 - THIS PART MATES WITH TPA 206462

THIS DRAWING CONTAINS INFORMATION THAT IS PROPRIETARY TO MOLEX ELECTRONIC TECHNOLOGIES, LLC AND SHOULD NOT BE USED WITHOUT WRITTEN PERMISSION										
DIMENSION UNITS	SCALE	CURRENT REV DESC:				molex				
mm	NTS									
GENERAL TOLERANCES (UNLESS SPECIFIED)						MICRO-FIT PLUS SR RECEPTACLE HOUSING				
ANGULAR TOL	± °					PRODUCT CUSTOMER DRAWING				
4 PLACES	±	EC NO: 770514		2023/11/22		DOCUMENT NUMBER		DOC TYPE	DOC PART	REVISION
3 PLACES	±	DRWN: ZIXUAQ		2023/12/04		2157590002		PSD	000	A3
2 PLACES	± 0.25	CHK'D: XQZHANG		2023/12/04						
1 PLACE	± 0.35	APPR: XQZHANG		2023/12/04		MATERIAL NUMBER		CUSTOMER		SHEET NUMBER
0 PLACES	±	INITIAL REVISION:		2020/10/13		SEE TABLE		GENERAL MARKET		1 OF 2
DRAFT WHERE APPLICABLE MUST REMAIN WITHIN DIMENSIONS		THIRD ANGLE PROJECTION		DRAWING	SERIES					
				C-SIZE	215759					

DOCUMENT STATUS	P1	RELEASE DATE	2023/12/04	17:30:09
-----------------	----	--------------	------------	----------



PART NUMBER	CKT SIZE	POLARISATION	COLOR	HALOGEN	TOOLING STATUS
2157591002	2	A	BLACK	--	TOOLED
2157591012		B	NATURAL	--	TOOLED
2157591022		C	RED	--	TOOLED
2157591032		D	BLUE	--	TOOLED
2157591042		E	YELLOW	--	TOOLED
2157592012	3	A	BLACK	LOW HALOGEN	TOOLED
2159591003		A	BLACK	--	TOOLED
2157591013		B	NATURAL	--	TOOLED
2157591023		C	RED	--	TOOLED
2157591033	4	D	BLUE	--	TOOLED
2157591043		E	YELLOW	--	TOOLED
2157592013		A	BLACK	LOW HALOGEN	NOT TOOLED
2159591004		A	BLACK	--	TOOLED
2157591014		B	NATURAL	--	TOOLED
2157591024	5	C	RED	--	TOOLED
2157591034		D	BLUE	--	TOOLED
2157591044		E	YELLOW	--	TOOLED
2157592014		A	BLACK	LOW HALOGEN	TOOLED
2157591005	6	A	BLACK	--	TOOLED
2157591015		B	NATURAL	--	TOOLED
2157591025		C	RED	--	TOOLED
2157591035		D	BLUE	--	TOOLED
2157591045		E	YELLOW	--	TOOLED
2157592015		A	BLACK	LOW HALOGEN	NOT TOOLED
2157591006	7	A	BLACK	--	TOOLED
2157591016		B	NATURAL	--	TOOLED
2157591026		C	RED	--	TOOLED
2157591036		D	BLUE	--	TOOLED
2157591046	8	E	YELLOW	--	TOOLED
2157592016		A	BLACK	LOW HALOGEN	NOT TOOLED
2157591007		A	BLACK	--	TOOLED
2157591017		B	NATURAL	--	TOOLED
2157591027		C	RED	--	TOOLED
2157591037	9	D	BLUE	--	TOOLED
2157591047		E	YELLOW	--	TOOLED
2157592017		A	BLACK	LOW HALOGEN	TOOLED
2157591008		A	BLACK	--	TOOLED
2157591018	10	B	NATURAL	--	TOOLED
2157591028		C	RED	--	TOOLED
2157591038		D	BLUE	--	TOOLED
2157591048		E	YELLOW	--	TOOLED
2157592018	A	BLACK	LOW HALOGEN	NOT TOOLED	

THIS DRAWING CONTAINS INFORMATION THAT IS PROPRIETARY TO MOLEX ELECTRONIC TECHNOLOGIES, LLC AND SHOULD NOT BE USED WITHOUT WRITTEN PERMISSION

DIMENSION UNITS mm	SCALE NTS	CURRENT REV DESC:					
GENERAL TOLERANCES (UNLESS SPECIFIED)							
ANGULAR TOL	± °	EC NO: 770514 DRWN: ZIXUAQ 2023/11/22 CHK'D: XQZHANG 2023/12/04 APPR: XQZHANG 2023/12/04 INITIAL REVISION: DRWN: HPAN18 2020/10/13 APPR: YXZHENG 2021/02/08	DOCUMENT NUMBER	DOC TYPE	DOC PART	REVISION	
4 PLACES	±		2157590002	PSD	000	A3	
3 PLACES	±						
2 PLACES	± 0.25						
1 PLACE	± 0.35						
0 PLACES	±						
DRAFT WHERE APPLICABLE MUST REMAIN WITHIN DIMENSIONS		THIRD ANGLE PROJECTION	DRAWING	SERIES	MATERIAL NUMBER	CUSTOMER	SHEET NUMBER
			D-SIZE	215759	SEE TABLE	GENERAL MARKET	2 OF 2