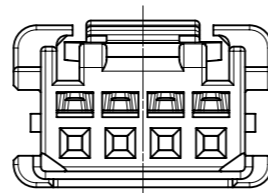
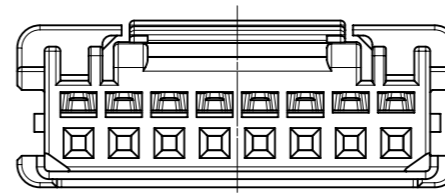


VIEW OF 2-3 CIRCUIT



VIEW OF 4-6 CIRCUIT



VIEW OF 7-8 CIRCUIT

NOTES

- △1 材料：TABLE 1 参照
MATERIAL：SEE TABLE 1
- △2 製品仕様書、アプリケーション仕様書、適合嵌合相手、適合端子はSHEET 2を御参照下さい
PLEASE REFER TO SHEET 2 FOR PRODUCT SPECIFICATION, APPLICATION SPECIFICATION, APPLICABLE MATED CONNECTOR, APPLICABLE TPA, APPLICABLE TERMINAL.
- △3 偶数極に適用。
APPLY FOR EVEN CIRCUIT.
- 4. 本製品のプラスチック部に黒点・白点等が確認される場合や色合いが異なる場合がありますが、製品性能に影響はありません。
THERE IS NO INFLUENCE IN THE PRODUCT PERFORMANCE THOUGH THE BLACK AND WHITE SPOT ETC. MIGHT BE CONFIRMED TO THE PLASTIC PART OF THIS PRODUCT AND THE SHADE MIGHT BE DIFFERENT.
- △5 発注番号：SHEET 2 参照
ORDER No.：PLEASE REFER TO SHEET 2 FOR PRODUCT LIST.

212724 2***

極数 CIRCUIT SIZE	ハウジングカラー HOUSING COLOR
	0：NATURAL(BEIGE)
	1：BLACK

6. この製品はGlow Wire適合品です。
THIS PRODUCT IS A GLOW WIRE COMPLIANT.

14	19.4	8
12	17.4	7
10	15.4	6
8	13.4	5
6	11.4	4
4	9.4	3
2	7.4	2
B	A	極数 CIRCUIT SIZE

△1 TABLE1

部品 PART	材質 MATERIAL
ハウジング HOUSING	ポリアミド(PA),UL94V-0,色：SEE CHART POLYAMIDE(PA),UL94V-0,COLOR：SEE CHART
DOCUMENT STATUS	P1 RELEASE DATE 2023/09/05 12:31:39

THIS DRAWING CONTAINS INFORMATION THAT IS PROPRIETARY TO MOLEX ELECTRONIC TECHNOLOGIES, LLC AND SHOULD NOT BE USED WITHOUT WRITTEN PERMISSION		CURRENT REV DESC:		molex	
DIMENSION UNITS mm	SCALE NTS	EC NO: 760111 DRWN: KYAMADA02 2023/08/24 CHK'D: AIDA 2023/09/05 APPR: SAKIYAMA 2023/09/05			
GENERAL TOLERANCES (UNLESS SPECIFIED)		INITIAL REVISION:		DOCUMENT NUMBER	
ANGULAR TOL ± 3.0°		DRWN: KYAMADA02 2020/06/04 APPR: SAKIYAMA 2021/04/23		2127240000-SD	
4 PLACES ± 0.2		DRAWING		DOC TYPE	
3 PLACES ± 0.2		A3-SIZE		PSD	
2 PLACES ± 0.2		SERIES		DOC PART	
1 PLACE ± 0.2		212724		000	
0 PLACES ± 0.2		MATERIAL NUMBER		REVISION	
DRAFT WHERE APPLICABLE MUST REMAIN WITHIN DIMENSIONS		THIRD ANGLE PROJECTION		B	
		CUSTOMER		SHEET NUMBER	
		GENERAL		1 OF 2	

△ 適合製品及び各種仕様書

APPLICABLE PRODUCTS AND VARIOUS SPECIFICATIONS

梱包仕様書 PACKING SPECIFICATION	PART NUMBER	SPECIFICATION NUMBER
	2127242***	2127249200-SPK 200

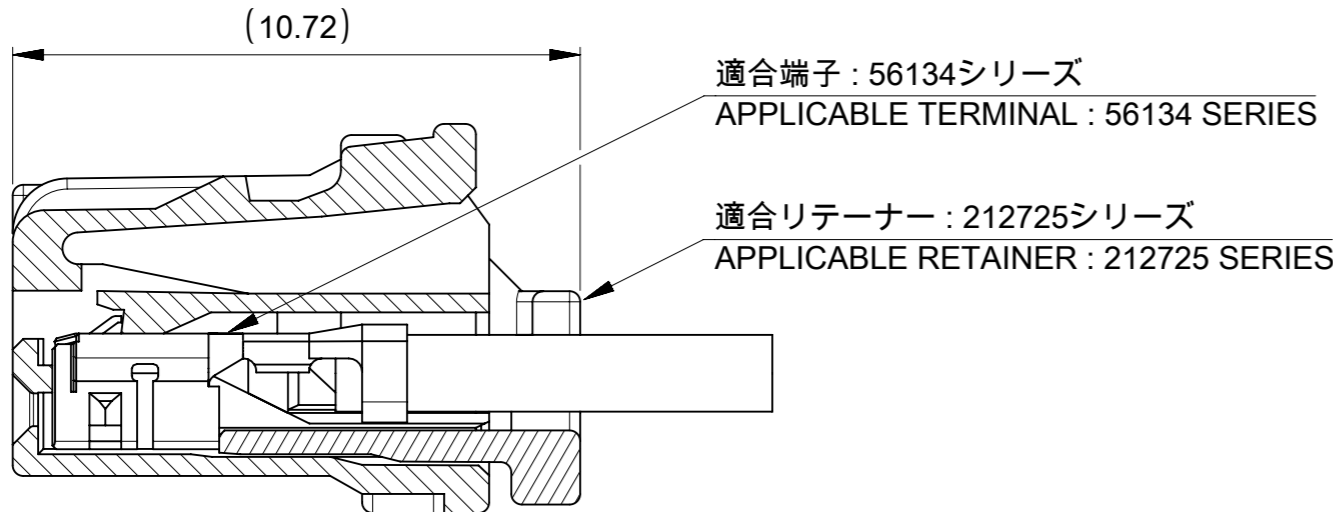
適合端子 APPLICABLE TERMINAL	PART NUMBER	PLATING TYPE	WIRE SIZE(AWG)
	561349001	TIN	#22-#24
	561349002		#26-#28

嵌合相手 WITH MATE	TIN - BISMUTH PLATING					
	SMT			THROUGH HOLE		
	VERTICAL	VERTICAL (GLOW WIRE COMPLIANT)	RIGHT ANGLE	RIGHT ANGLE (GLOW WIRE COMPLIANT)	VERTICAL (GLOW WIRE COMPLIANT)	RIGHT ANGLE (GLOW WIRE COMPLIANT)
シリーズ番号 SERIES No.	205971	217063	205972	217064	220029	220030
適合リテーナー APPLICABLE RETAINER	SINGLE TYPE					
シリーズ番号 SERIES No.	212725					
製品仕様書 PRODUCT SPECIFICATION	2059790000-PS 000					
アプリケーション仕様書 APPLICATION SPECIFICATION	2059790000-AS 000					

△ 製品一覧
PRODUCTS LIST

HOUSING COLOR		
BLACK	NATURAL (BEIGE)	
2127242081	2127242080	8
↑ 2071	↑ 2070	7
2061	2060	6
2051	2050	5
2041	2040	4
↓ 2031	↓ 2030	3
2127242021	2127242020	2
発注番号 : ORDER No.		極数 CIRCUIT SIZE

製品嵌合図は各嵌合相手図面参照のこと
MATING VIEW:REFER TO EACH "MATE WITH" PART DRAWING.



ターミナル及びリテーナー装着状態図
TERMINAL AND RETAINER ASSEMBLY DRAWING

THIS DRAWING CONTAINS INFORMATION THAT IS PROPRIETARY TO MOLEX ELECTRONIC TECHNOLOGIES, LLC AND SHOULD NOT BE USED WITHOUT WRITTEN PERMISSION										
DIMENSION UNITS	SCALE	CURRENT REV DESC:								
mm	NTS	<div style="text-align: center;">molex</div> MICRO-ONE 2.0W/B TPA YTP E RECEPTACLE HOUSING PRODUCT CUSTOMER DRAWING								
GENERAL TOLERANCES (UNLESS SPECIFIED)										
ANGULAR TOL	± 3.0 °									
4 PLACES	± 0.2									
3 PLACES	± 0.2									
2 PLACES	± 0.2									
1 PLACE	± 0.2	EC NO: 760111	2023/08/24		DOCUMENT NUMBER			DOC TYPE	DOC PART	REVISION
0 PLACES	± 0.2	DRWN: KYAMADA02	2023/09/05							
DRAFT WHERE APPLICABLE MUST REMAIN WITHIN DIMENSIONS		THIRD ANGLE PROJECTION	DRAWING	SERIES	MATERIAL NUMBER	CUSTOMER		SHEET NUMBER		
			A3-SIZE	212724	SEE TABLE	GENERAL		2 OF 2		