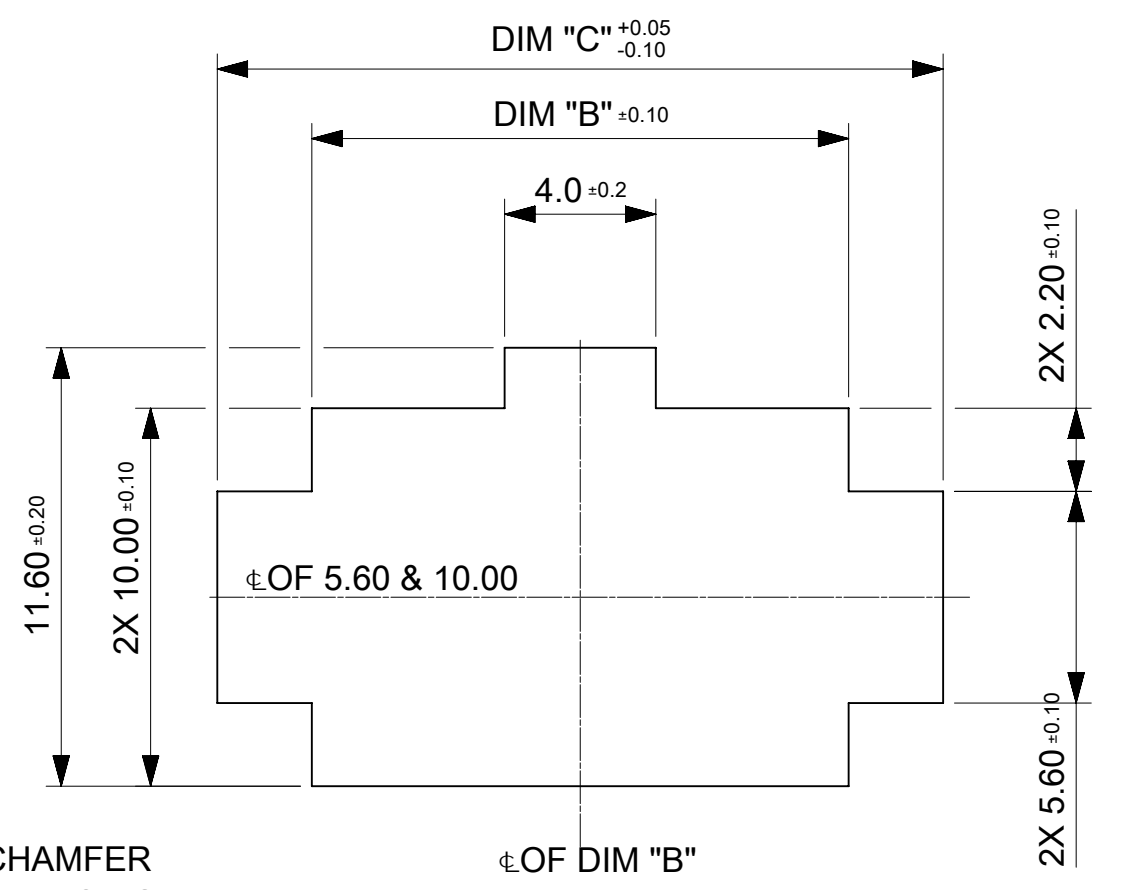
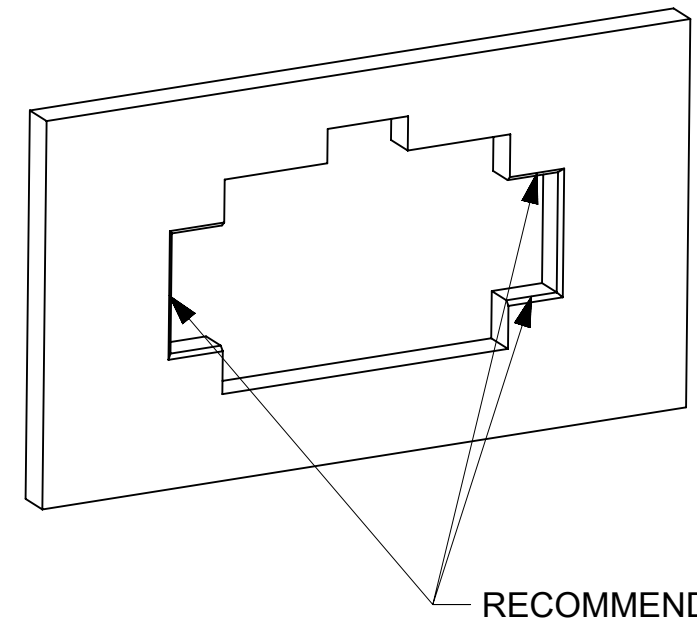
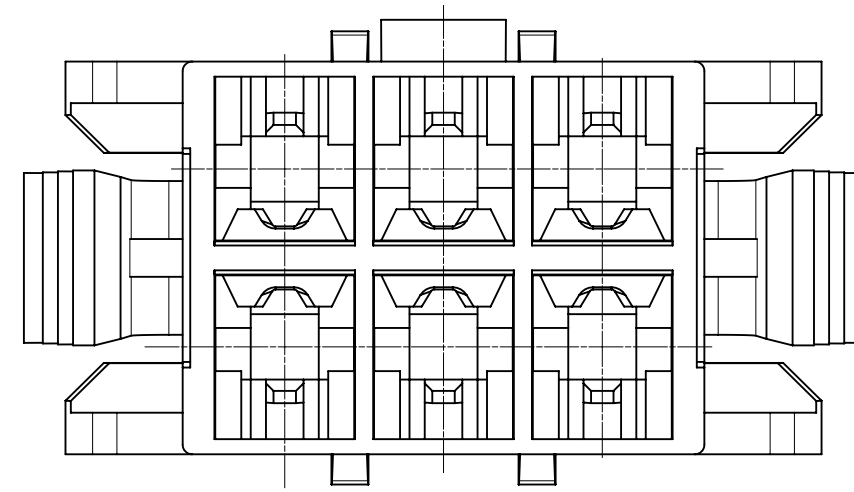
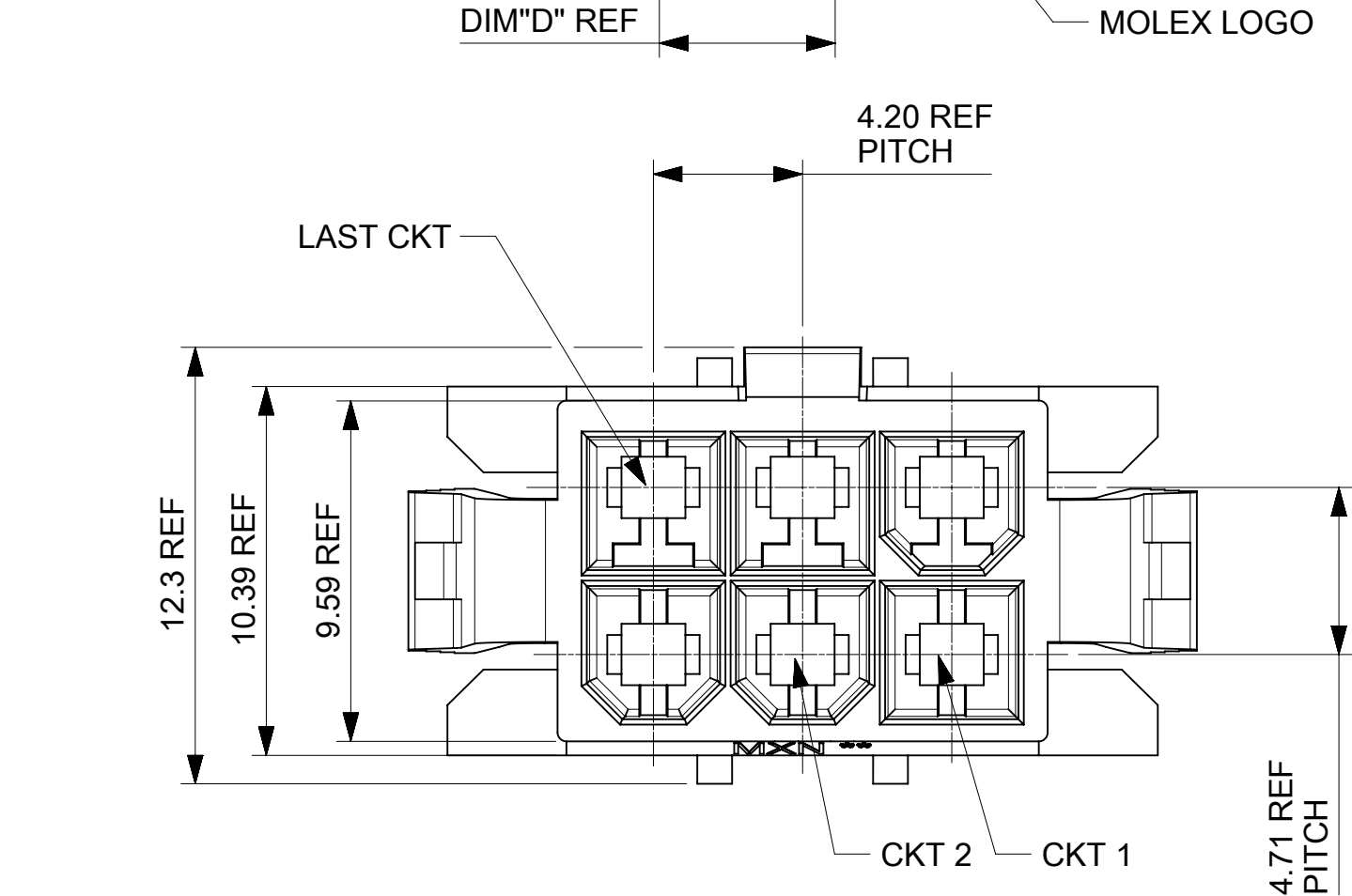
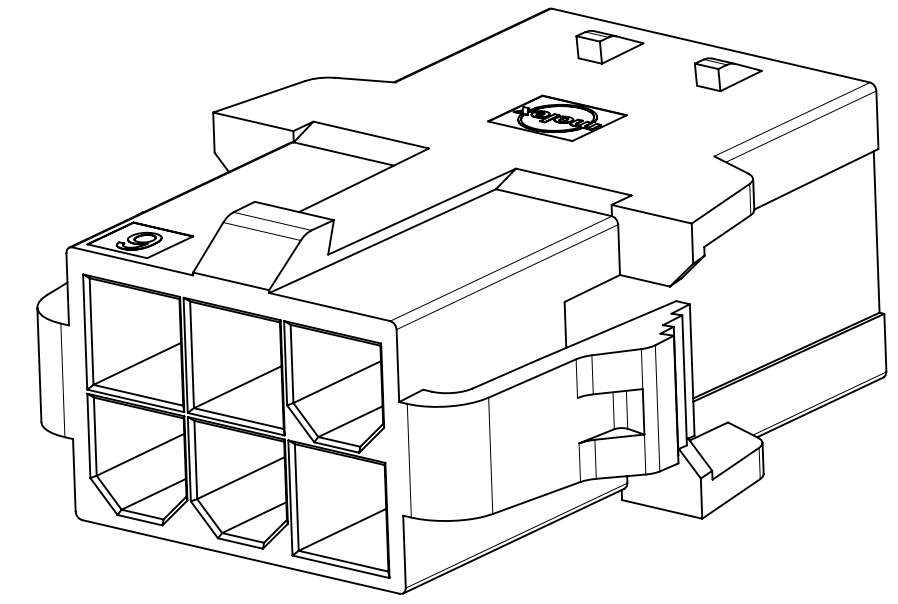


PLUG P/N	CKT	DIM "A"	DIM "B"	DIM "C"	DIM "D"
1727673002	2	5.40	5.80	10.80	4.95
1727673004	4	9.60	10.00	15.00	4.95
1727673006	6	13.80	14.20	19.20	4.95
1727673008	8	18.00	18.40	23.40	4.95
1727673010	10	22.20	22.60	27.60	12.95
1727673012	12	26.40	26.80	31.80	12.95
1727673014	14	30.60	31.00	36.00	12.95
1727673016	16	34.80	35.20	40.20	12.95
1727673018	18	39.00	39.40	44.40	20.95

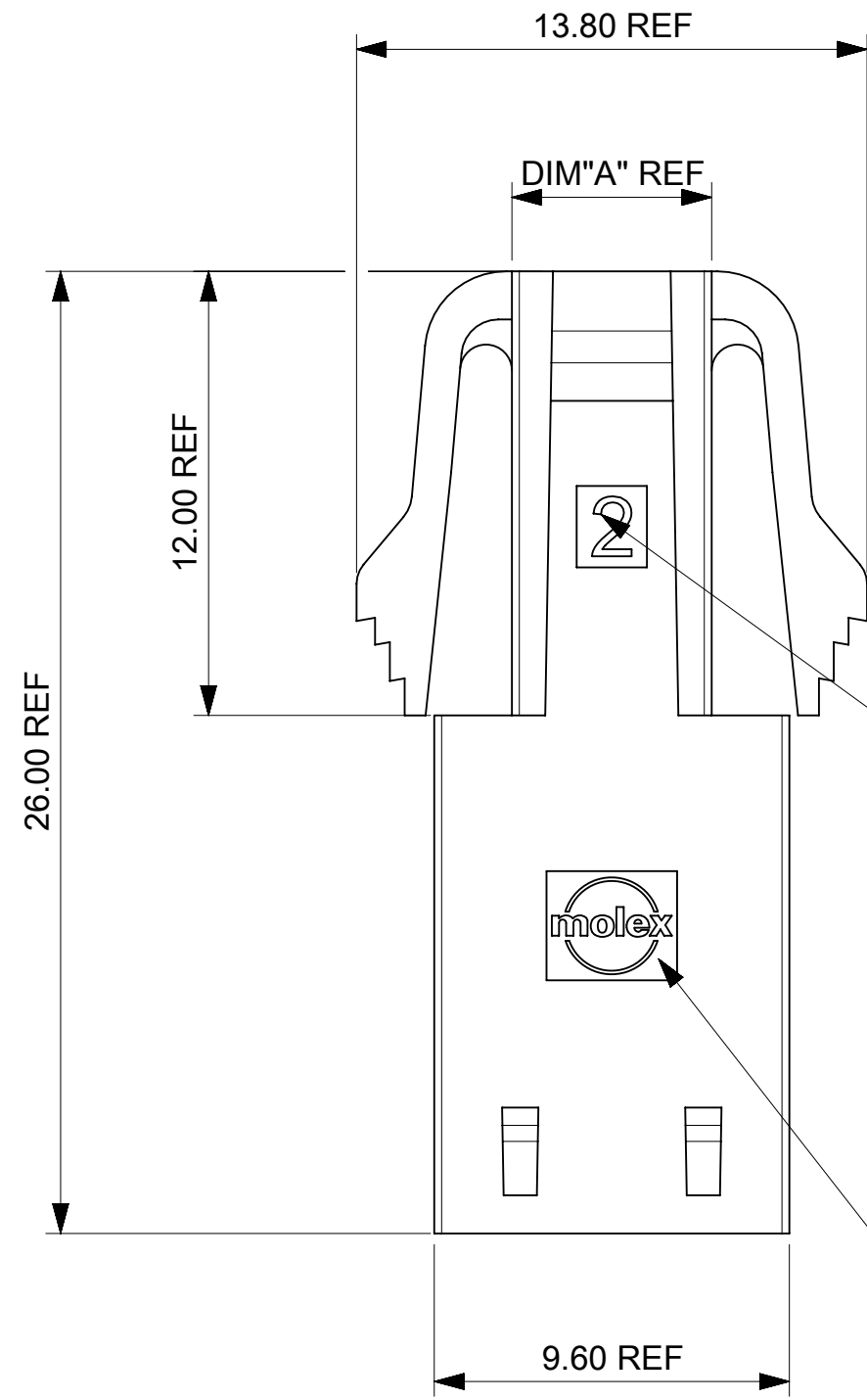


- NOTES:
- MATERIAL: NYLON, UL 94V-0 AND GLOW WIRE CAPABLE PER IEC60335-1; COLOR: BLACK
  - FINISH: NONE
  - PRODUCT SPECIFICATION: 2131370000-PS/2029880002-PS  
APPLICATION SPECIFICATION: 2131370000-AS
  - PACKAGING SPECIFICATION: 172762-0001-PK  
REFER TO AS-45499-001 FOR MOISTURIZING NYLON CONNECTOR PARTS.
  - THIS PART TO BE USED WITH FEMALE TERMINAL SERIES 172765, 203070 AND TPA SERIES 172709-2\*\*\*.
  - THIS PART MATES WITH SERIES 172708-1\*\*\*
  - THIS PART CONFORMS TO CLASS 'B' REQUIREMENTS OF COSMETIC SPECIFICATION PS-45499-002.
  - SEE DRAWING 1727090002-SD FOR OTHER TPA INFORMATION.
  - SEE DRAWING 1727080002-SD FOR OTHER RECEPTACLE INFORMATION.
  - SEE DRAWINGS SD-172718-0000 AND 2029880001-PSD FOR OTHER CRIMP TERMINAL INFORMATION.

RECOMMENDED PANEL CUT-OUT DIMENSIONS  
PANEL THICKNESS 0.80-2.00MM

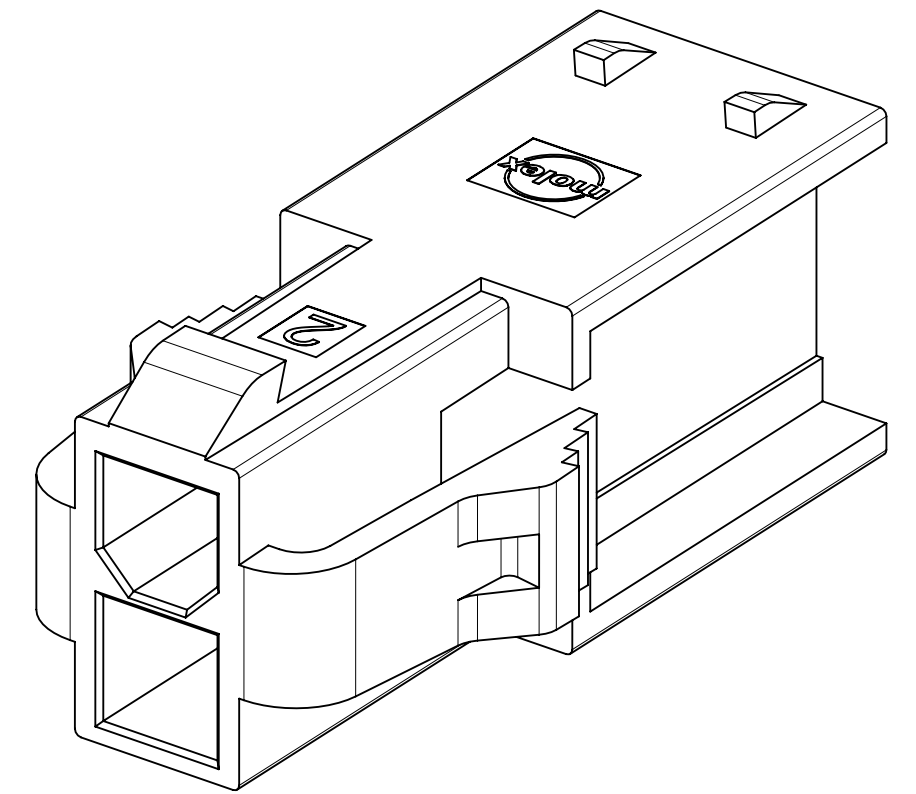
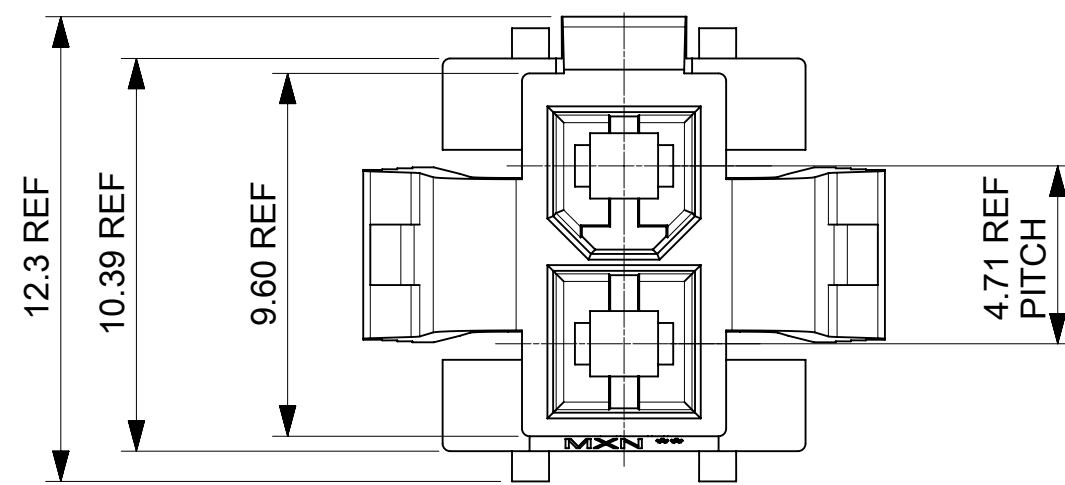
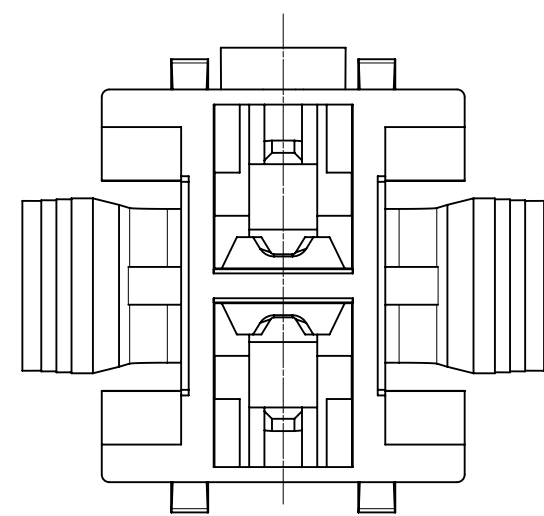
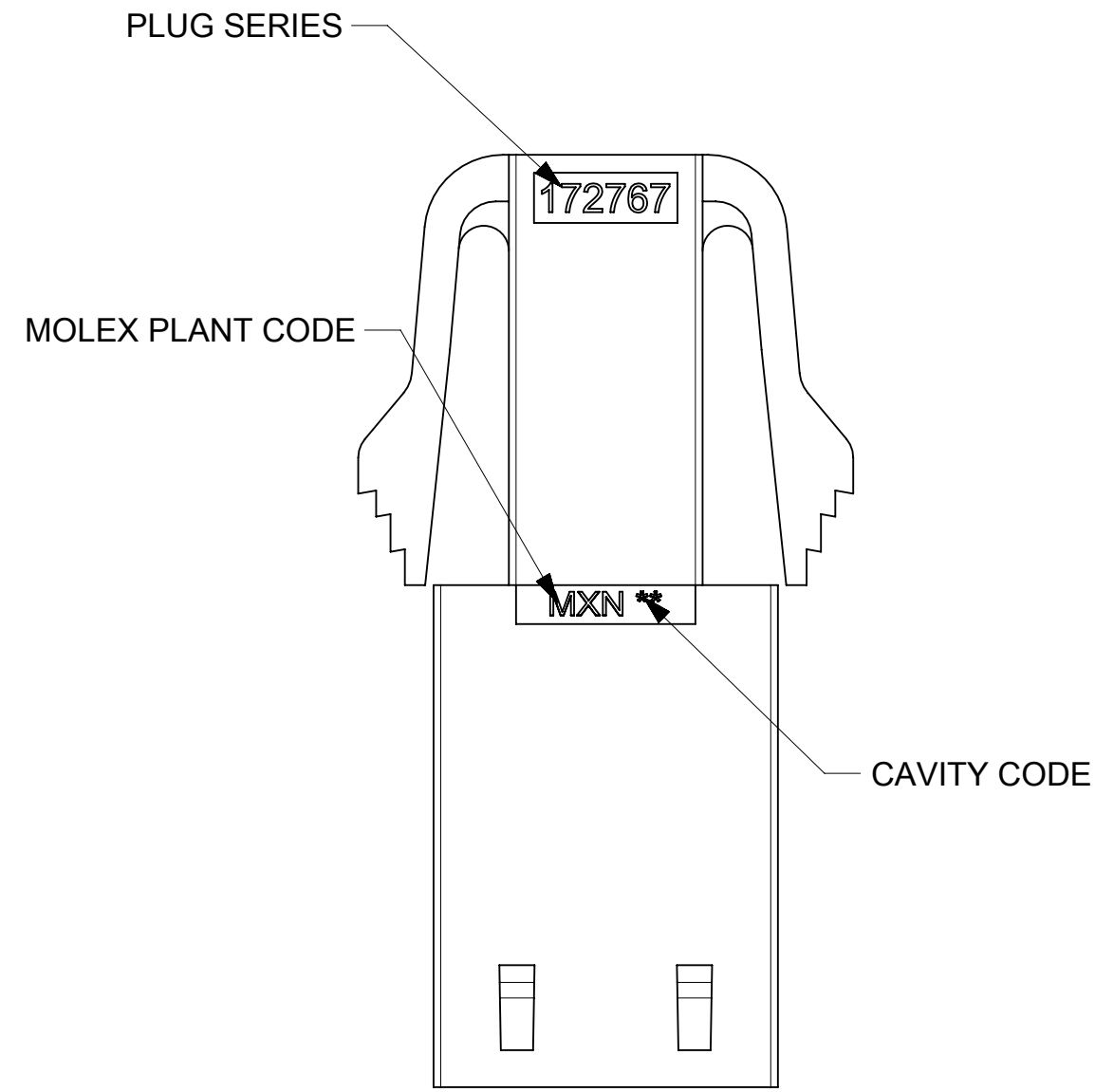
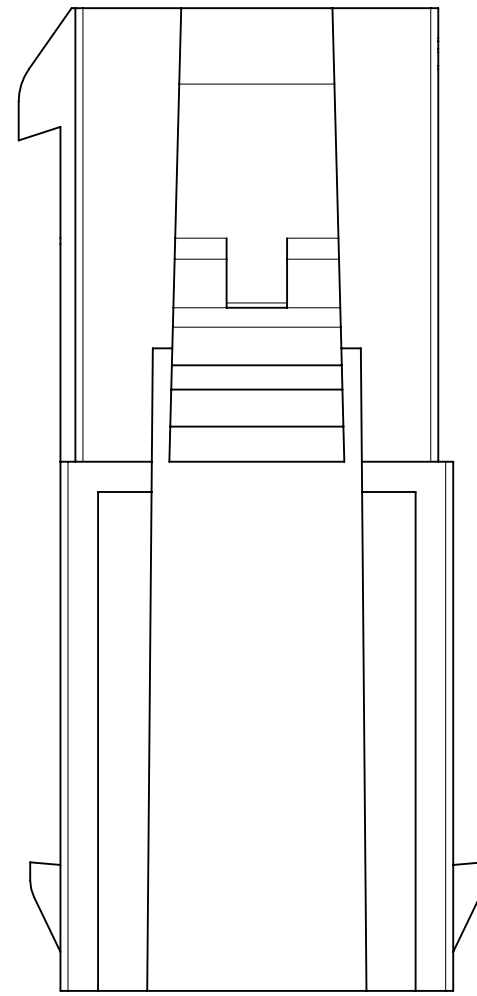
THIS DRAWING CONTAINS INFORMATION THAT IS PROPRIETARY TO MOLEX ELECTRONIC TECHNOLOGIES, LLC AND SHOULD NOT BE USED WITHOUT WRITTEN PERMISSION

DIMENSION UNITS	SCALE	CURRENT REV DESC:		<b>molex</b>			
mm	NTS						
GENERAL TOLERANCES (UNLESS SPECIFIED)				SD-DRAWING OF MINI-FIT SIGMA DR PLUG			
ANGULAR TOL	± °	EC NO: 787525		PRODUCT CUSTOMER DRAWING			
4 PLACES	±	DRWN: JERRYW8	2024/05/28	DOCUMENT NUMBER			
3 PLACES	±	CHK'D: XQZHANG	2024/05/30	1727670002-SD			
2 PLACES	± 0.25	APPR: XQZHANG	2024/05/30	DOC TYPE   DOC PART   REVISION			
1 PLACE	± 0.36	INITIAL REVISION:		PSD   000   A7			
0 PLACES	±	DRWN: ALUO02	2019/09/24	MATERIAL NUMBER			
DRAFT WHERE APPLICABLE MUST REMAIN WITHIN DIMENSIONS		APPR: YXZHENG	2019/10/11	CUSTOMER			
THIRD ANGLE PROJECTION		DRAWING	SERIES	SHEET NUMBER			
		A2-SIZE	172767	SEE TABLE   GENERAL MARKET   1 OF 4			

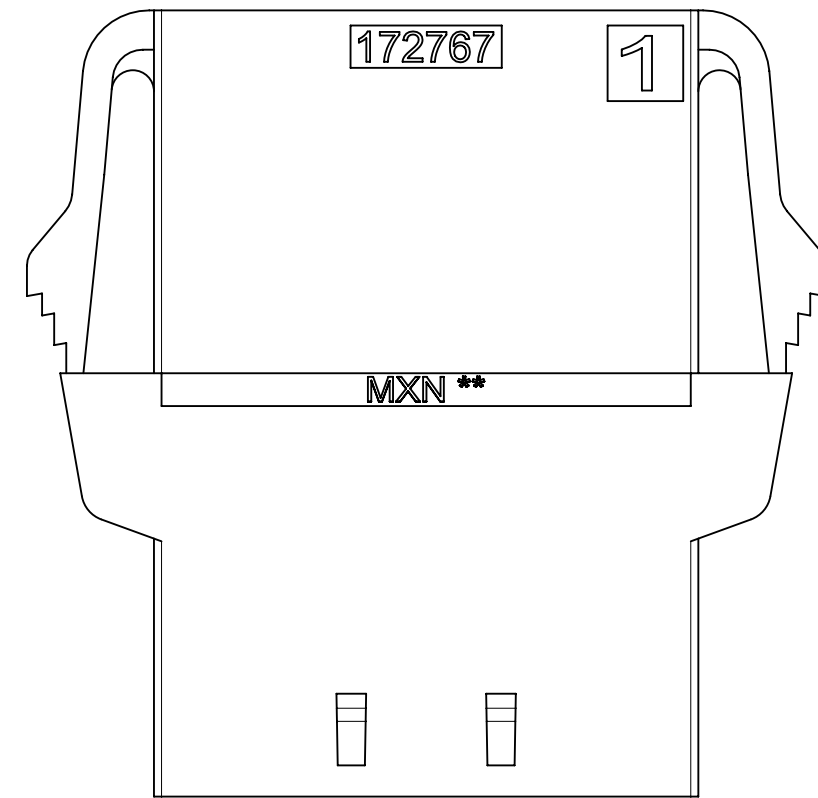
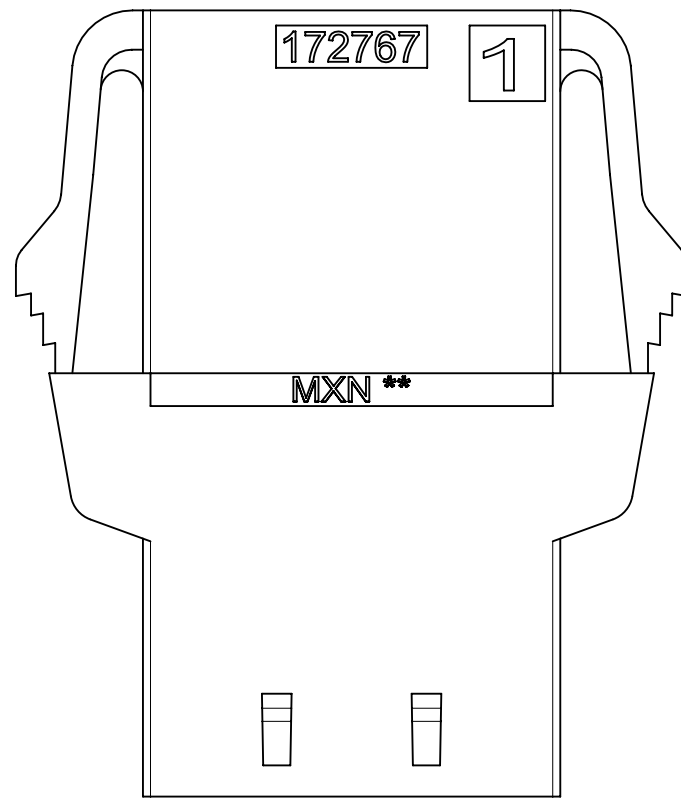
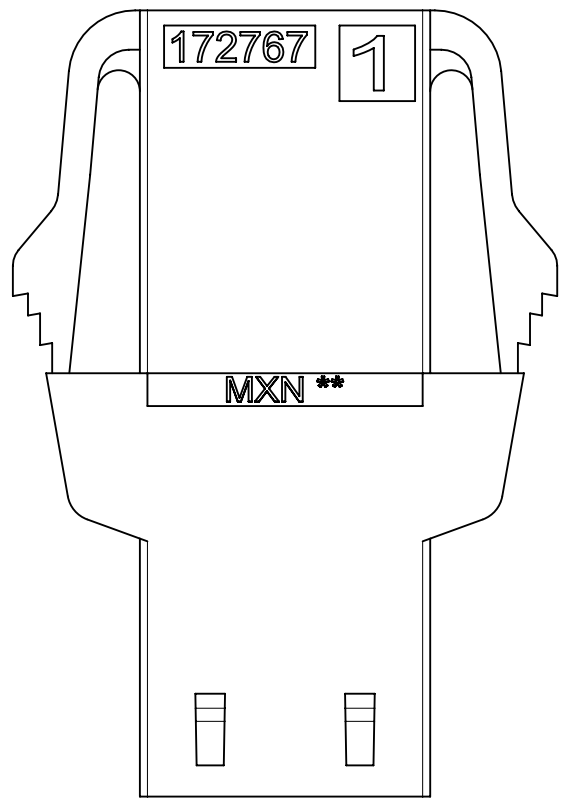
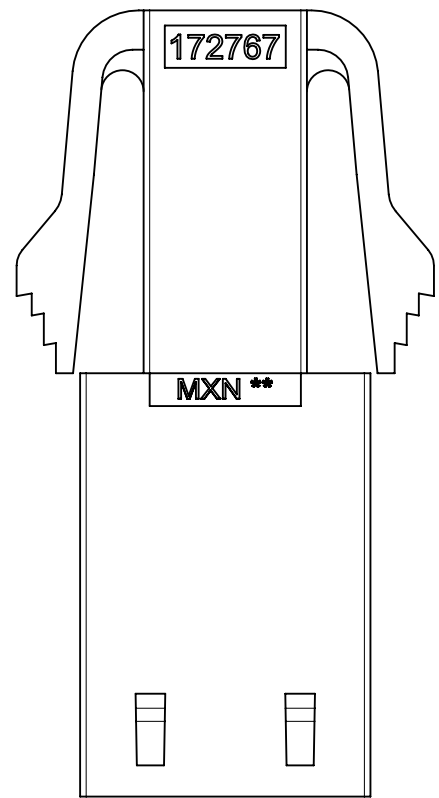
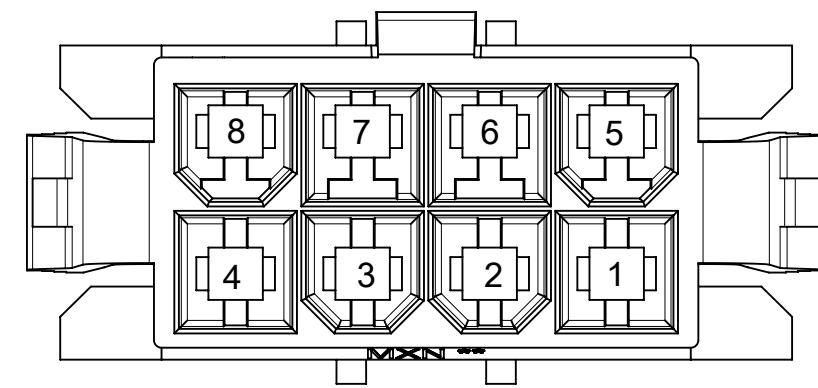
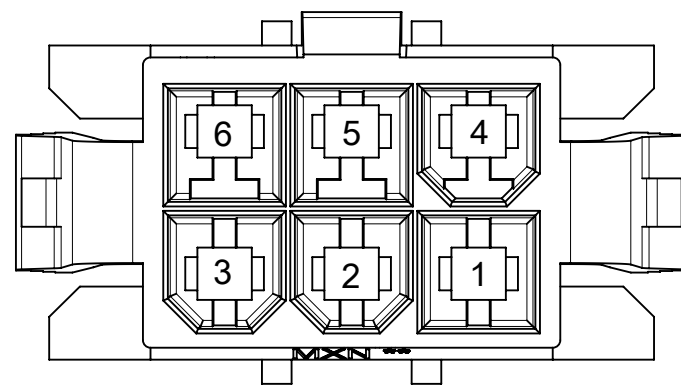
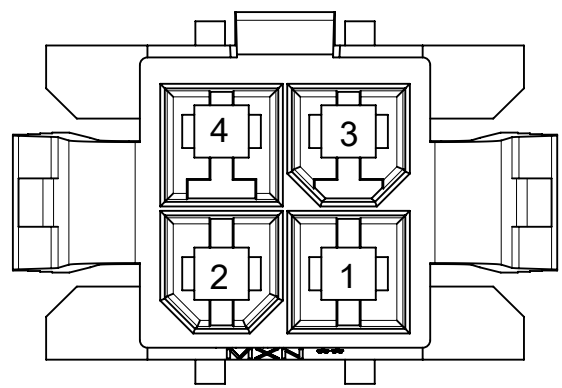
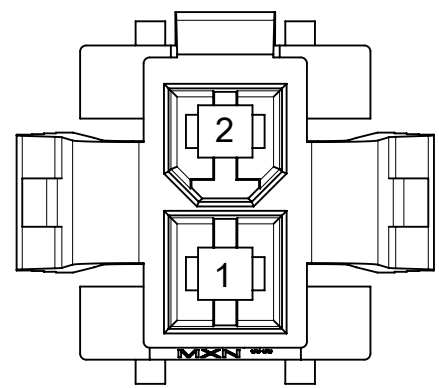


LAST CKT CODE

MOLEX LOGO



THIS DRAWING CONTAINS INFORMATION THAT IS PROPRIETARY TO MOLEX ELECTRONIC TECHNOLOGIES, LLC AND SHOULD NOT BE USED WITHOUT WRITTEN PERMISSION									
DIMENSION UNITS		SCALE		CURRENT REV DESC:					
mm		NTS							
GENERAL TOLERANCES (UNLESS SPECIFIED)								SD-DRAWING OF MINI-FIT SIGMA DR PLUG	
ANGULAR TOL		± °		EC NO: 787525				PRODUCT CUSTOMER DRAWING	
4 PLACES		±		DRWN: JERRYW8		2024/05/28			
3 PLACES		±		CHK'D: XQZHANG		2024/05/30			
2 PLACES		± 0.25		APPR: XQZHANG		2024/05/30			
1 PLACE		± 0.36		INITIAL REVISION:				DOCUMENT NUMBER	
0 PLACES		±		DRWN: ALUO02		2019/09/24		1727670002-SD	
				APPR: YXZHENG		2019/10/11		PSD 000 A7	
DRAFT WHERE APPLICABLE MUST REMAIN WITHIN DIMENSIONS		THIRD ANGLE PROJECTION		DRAWING		SERIES		MATERIAL NUMBER	
				A2-SIZE		172767		SEE TABLE	
				CUSTOMER		GENERAL MARKET		SHEET NUMBER	
								2 OF 4	

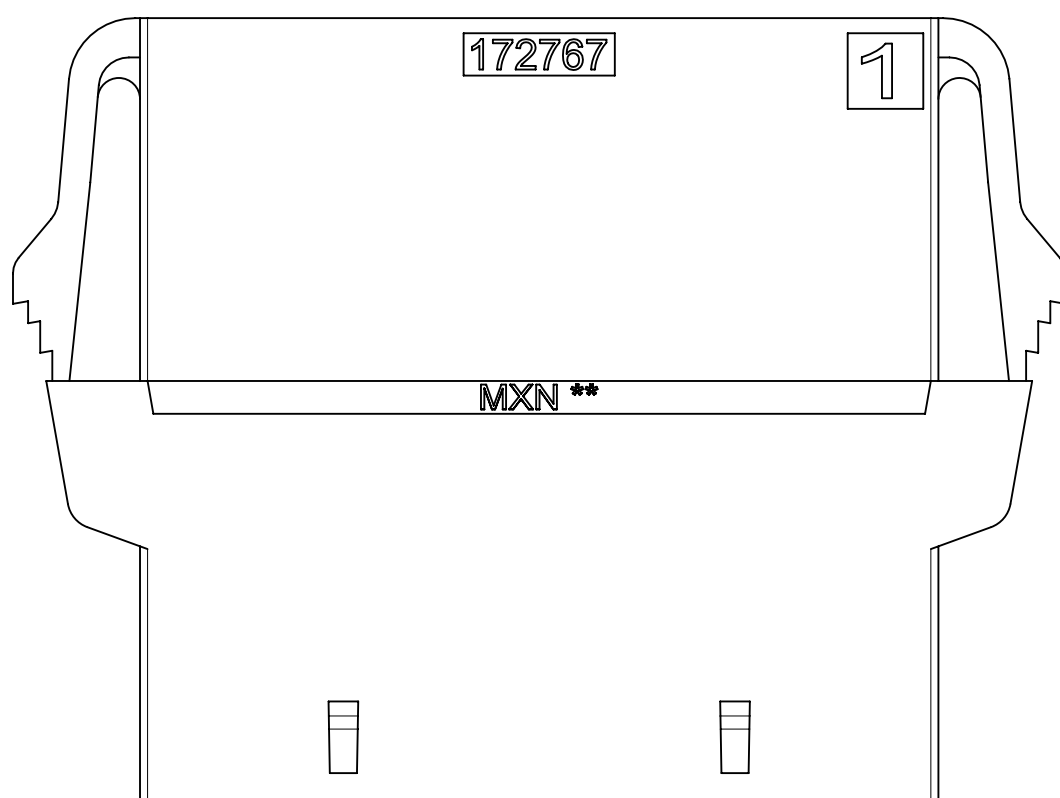
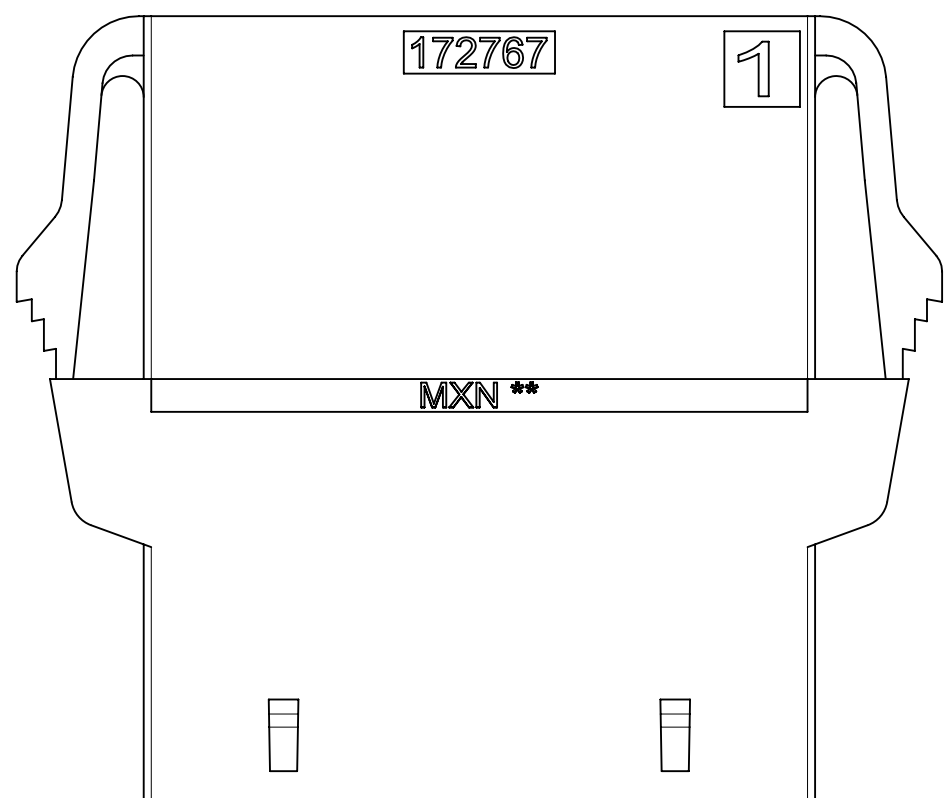
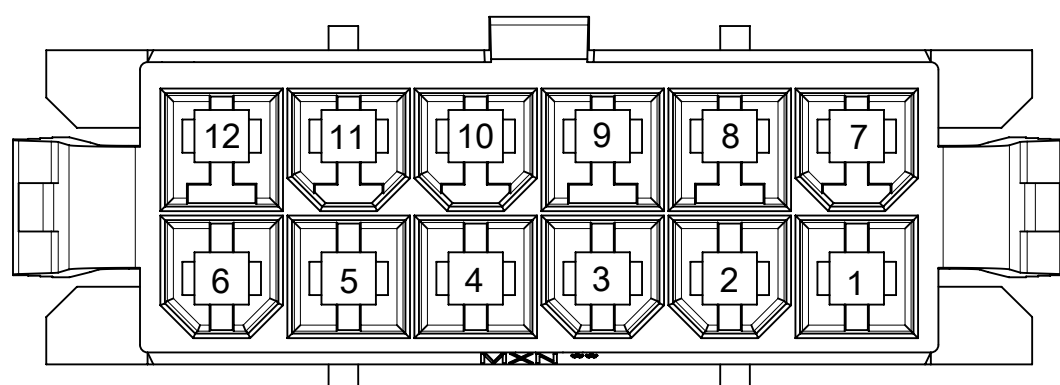
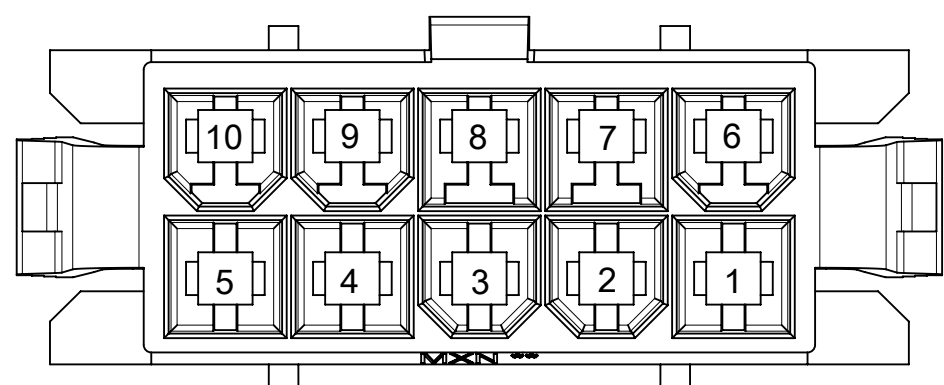


2-CKT

4-CKT

6-CKT

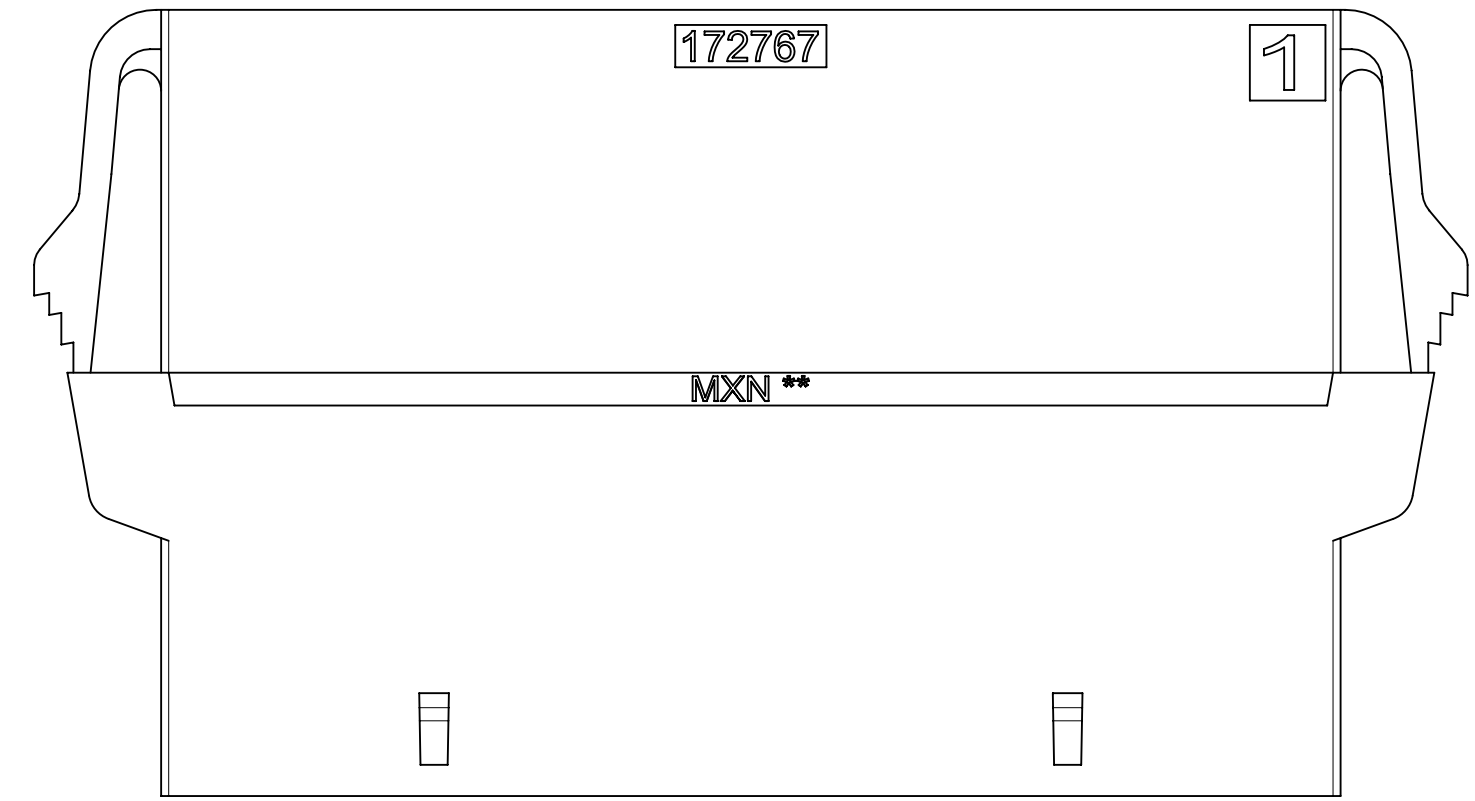
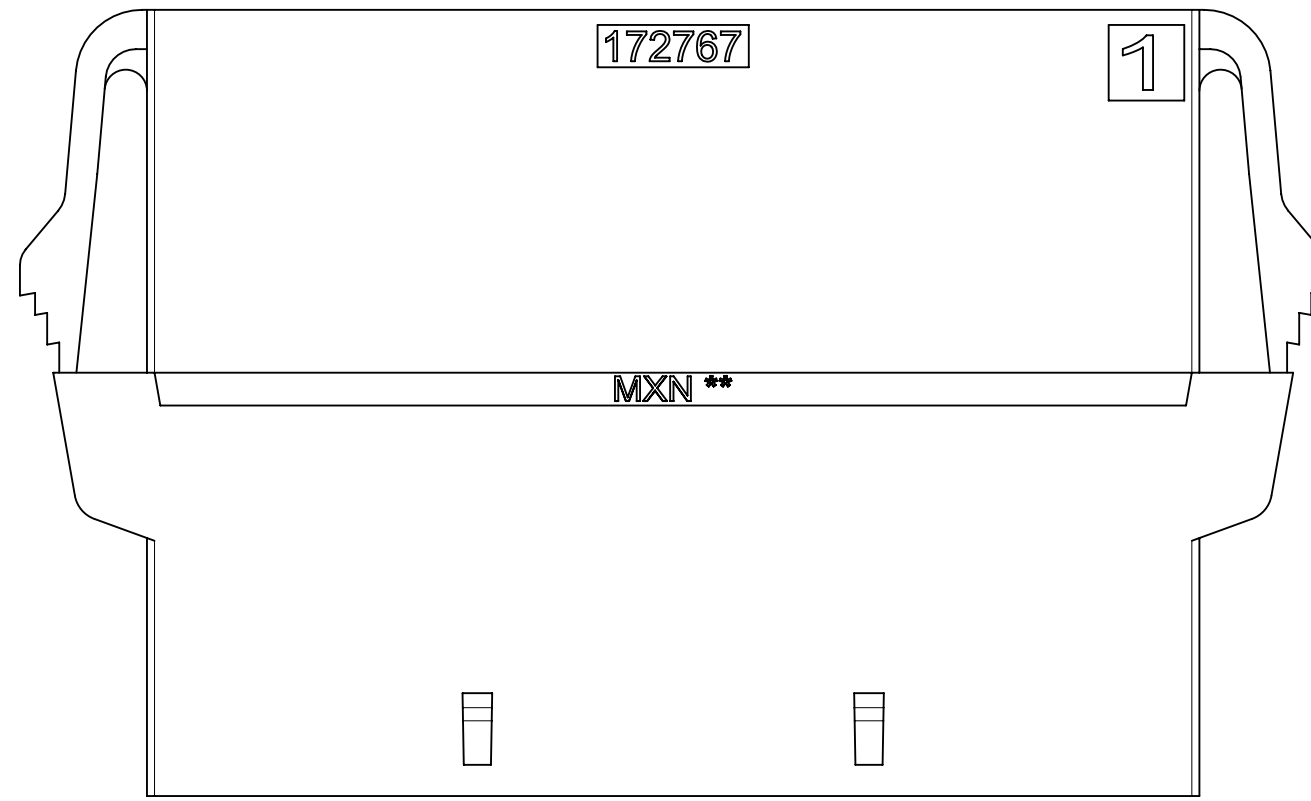
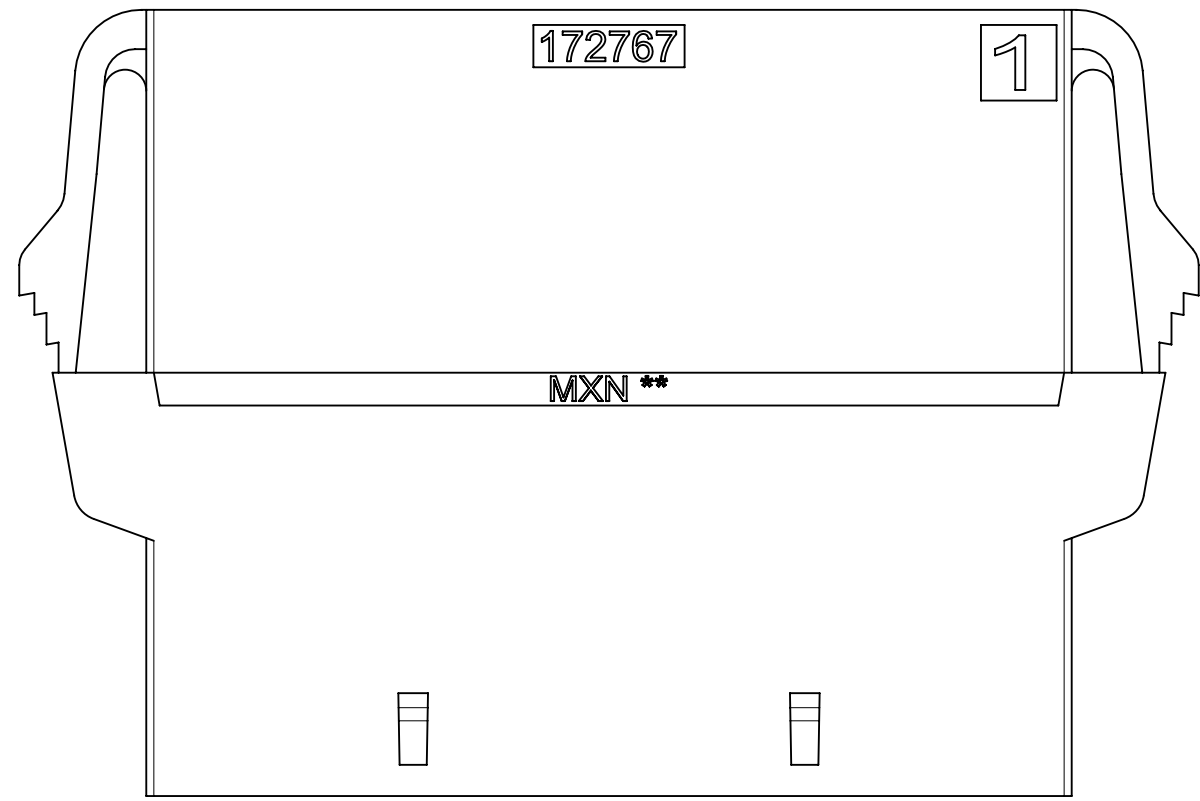
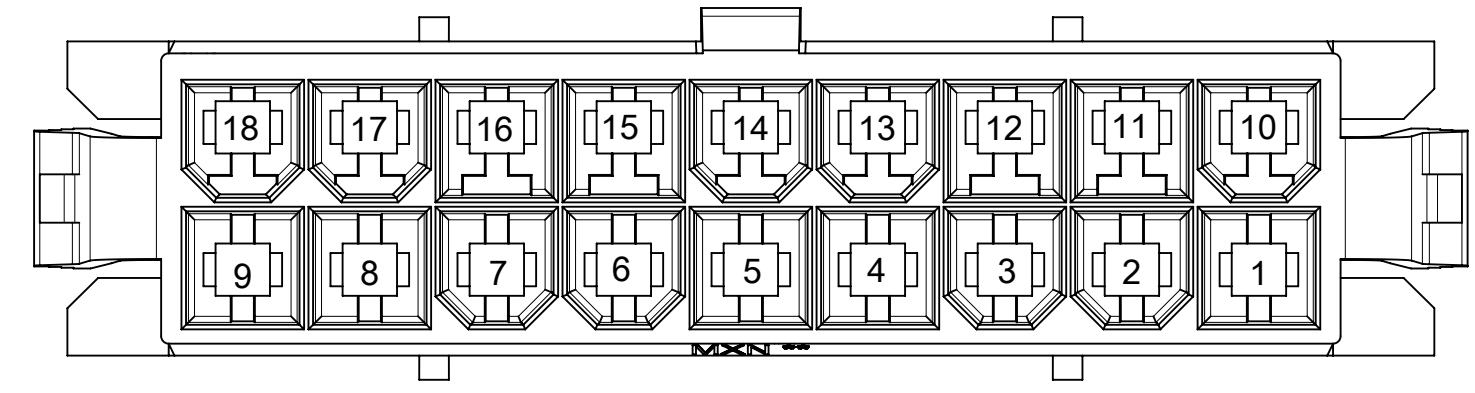
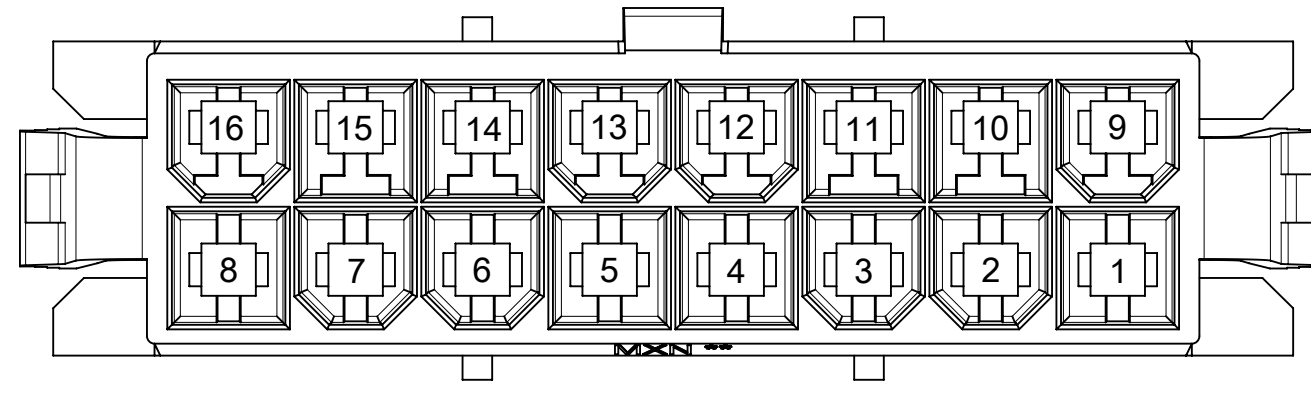
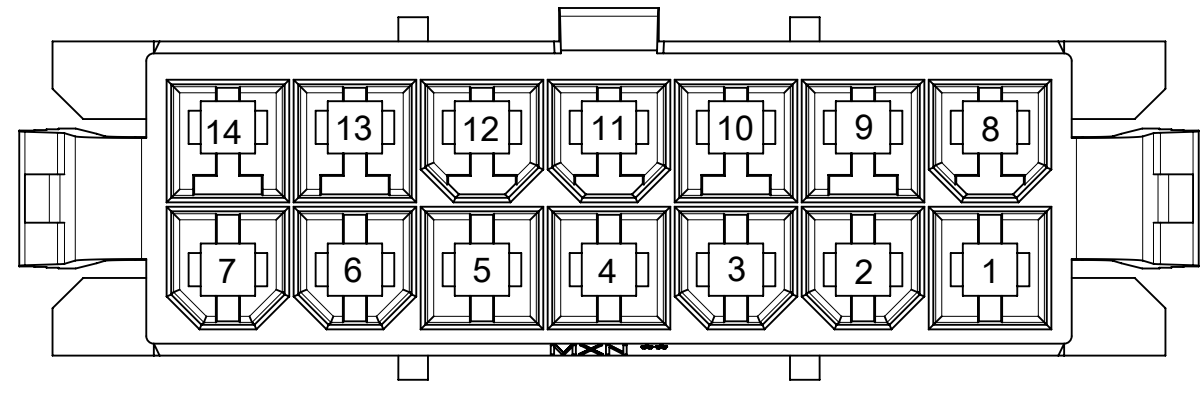
8-CKT



10-CKT

12-CKT

THIS DRAWING CONTAINS INFORMATION THAT IS PROPRIETARY TO MOLEX ELECTRONIC TECHNOLOGIES, LLC AND SHOULD NOT BE USED WITHOUT WRITTEN PERMISSION													
DIMENSION UNITS		SCALE		CURRENT REV DESC:						<b>molex</b>			
mm		NTS											
GENERAL TOLERANCES (UNLESS SPECIFIED)				EC NO: 787525 DRWN: JERRYW8 CHK'D: XQZHANG APPR: XQZHANG INITIAL REVISION: DRWN: ALUO02 APPR: YXZHENG						SD-DRAWING OF MINI-FIT SIGMA DR PLUG			
ANGULAR TOL		± °								2024/05/28		PRODUCT CUSTOMER DRAWING	
4 PLACES		±								2024/05/30		DOCUMENT NUMBER	
3 PLACES		±								2024/05/30		1727670002-SD	
2 PLACES		± 0.25								2019/09/24		DOC TYPE	
1 PLACE		± 0.36								2019/10/11		PSD	
0 PLACES		±				DOC PART							
DRAFT WHERE APPLICABLE MUST REMAIN WITHIN DIMENSIONS		THIRD ANGLE PROJECTION		DRAWING		SERIES		MATERIAL NUMBER					
				A2-SIZE		172767		SEE TABLE					
				GENERAL MARKET		CUSTOMER		REVISION					
								000 A7					
								SHEET NUMBER					
								3 OF 4					



14-CKT

16-CKT

18-CKT

THIS DRAWING CONTAINS INFORMATION THAT IS PROPRIETARY TO MOLEX ELECTRONIC TECHNOLOGIES, LLC AND SHOULD NOT BE USED WITHOUT WRITTEN PERMISSION

DIMENSION UNITS	SCALE	CURRENT REV DESC:		<b>molex</b>			
mm	NTS						
GENERAL TOLERANCES (UNLESS SPECIFIED)				SD-DRAWING OF MINI-FIT SIGMA DR PLUG			
ANGULAR TOL	± °	EC NO: 787525		PRODUCT CUSTOMER DRAWING			
4 PLACES	±	DRWN: JERRYW8	2024/05/28	DOCUMENT NUMBER			
3 PLACES	±	CHK'D: XQZHANG	2024/05/30	1727670002-SD			
2 PLACES	± 0.25	APPR: XQZHANG	2024/05/30	DOC TYPE	DOC PART	REVISION	
1 PLACE	± 0.36	INITIAL REVISION:		PSD 000 A7			
0 PLACES	±	DRWN: ALUO02	2019/09/24	MATERIAL NUMBER			
DRAFT WHERE APPLICABLE MUST REMAIN WITHIN DIMENSIONS		APPR: YXZHENG	2019/10/11	CUSTOMER		SHEET NUMBER	
		THIRD ANGLE PROJECTION	DRAWING	SERIES	SEE TABLE	GENERAL MARKET	4 OF 4