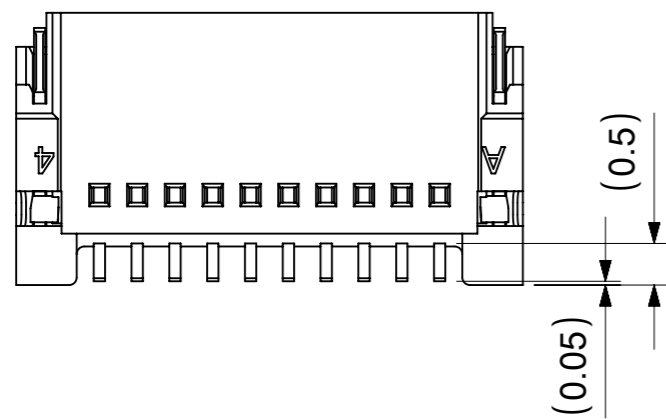
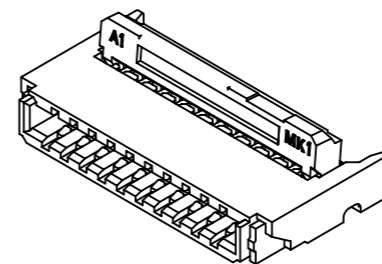
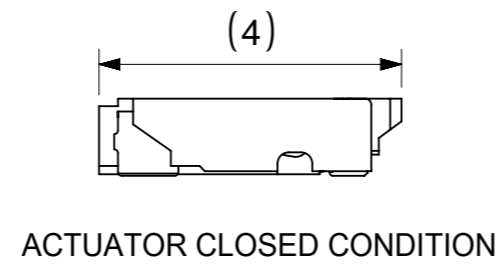
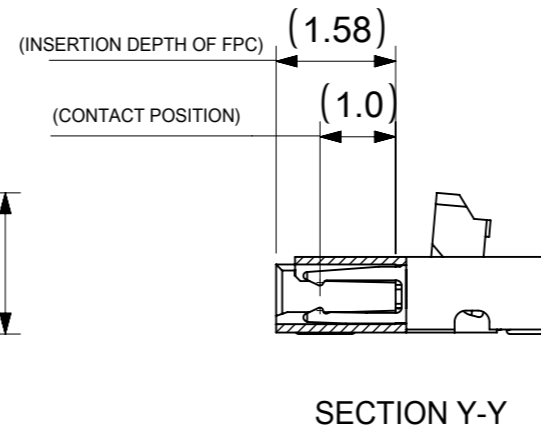
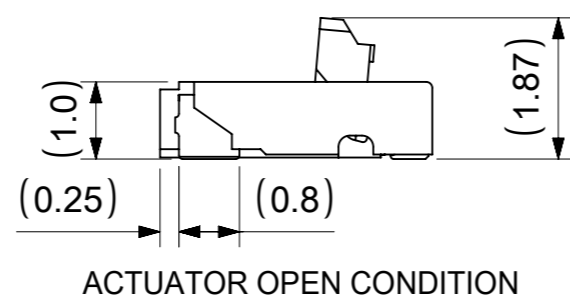
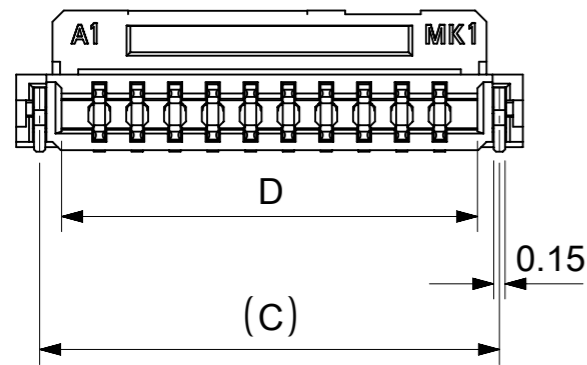
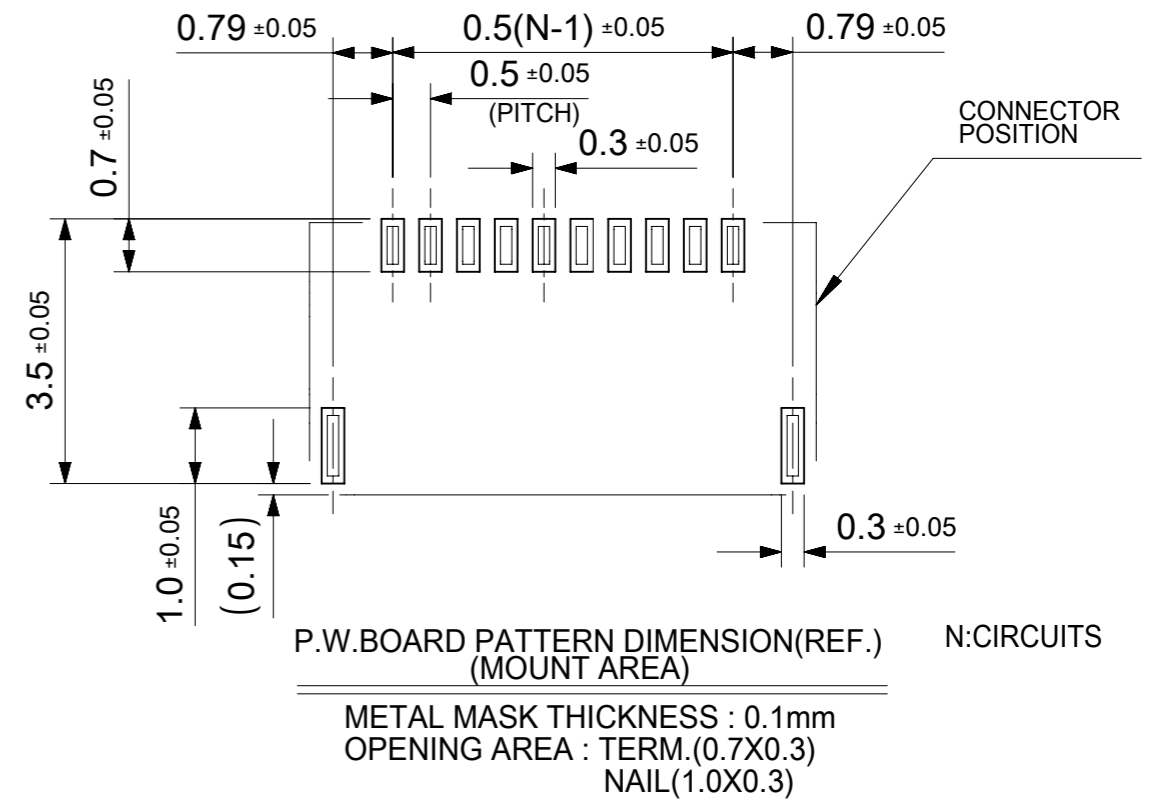
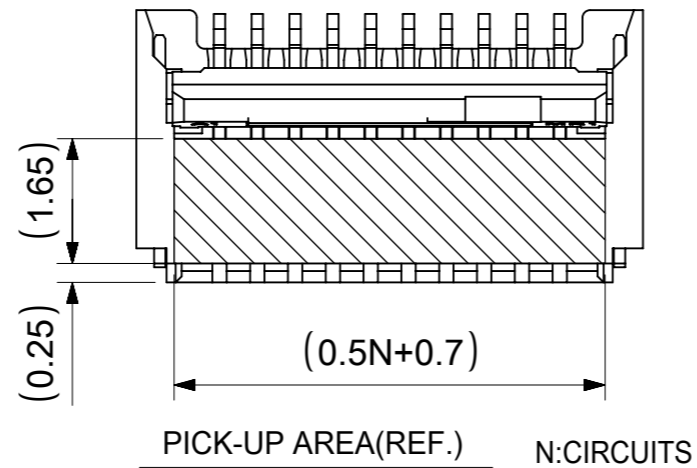
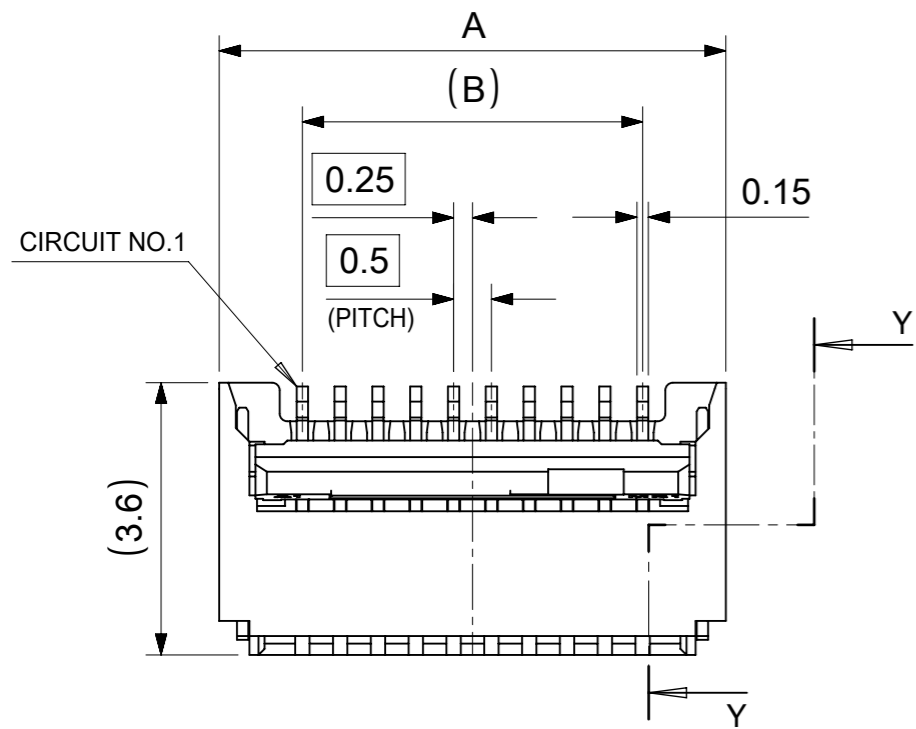


CIRCUIT NO.1



| | | | | | |
|------|-------|------|------|----------------------------|---------|
| 20.5 | 21.08 | 19.5 | 21.7 | 503480-4000 | 40 |
| 19.5 | 20.08 | 18.5 | 20.7 | 503480-3800 | 38 |
| 18.5 | 19.08 | 17.5 | 19.7 | 503480-3600 | 36 |
| 17.5 | 18.08 | 16.5 | 18.7 | 503480-3400 | 34 |
| 16.5 | 17.08 | 15.5 | 17.7 | 503480-3200 | 32 |
| 15.5 | 16.08 | 14.5 | 16.7 | 503480-3000 | 30 |
| 14.5 | 15.08 | 13.5 | 15.7 | 503480-2800 | 28 |
| 13.5 | 14.08 | 12.5 | 14.7 | 503480-2600 | 26 |
| 12.5 | 13.08 | 11.5 | 13.7 | 503480-2400 | 24 |
| 11.5 | 12.08 | 10.5 | 12.7 | 503480-2200 | 22 |
| 10.5 | 11.08 | 9.5 | 11.7 | 503480-2000 | 20 |
| 9.5 | 10.08 | 8.5 | 10.7 | 503480-1800 | 18 |
| 9.0 | 9.58 | 8.0 | 10.2 | 503480-1700 | 17 |
| 8.5 | 9.08 | 7.5 | 9.7 | 503480-1600 | 16 |
| 7.5 | 8.08 | 6.5 | 8.7 | 503480-1400 | 14 |
| 6.5 | 7.08 | 5.5 | 7.7 | 503480-1200 | 12 |
| 5.5 | 6.08 | 4.5 | 6.7 | 503480-1000 | 10 |
| 4.5 | 5.08 | 3.5 | 5.7 | 503480-0800 | 8 |
| 3.5 | 4.08 | 2.5 | 4.7 | 503480-0600 | 6 |
| D | C | B | A | EMBOSSED PACKAGE ORDER NO. | CIRCUIT |

CONNECTOR SERIES No. 503480-**09

| | | | | | |
|---|---------|--|-----------------|------------|-----------------|
| THIS DRAWING CONTAINS INFORMATION THAT IS PROPRIETARY TO MOLEX ELECTRONIC TECHNOLOGIES, LLC AND SHOULD NOT BE USED WITHOUT WRITTEN PERMISSION | | | | | |
| DIMENSION UNITS | SCALE | CURRENT REV DESC: REMOVED OBSOLETE PART NUMBERS AS PER PCN#513389. | | | |
| mm | 1:1 | <p>0.5 FPC CONN. E/O BACKFLIP H=1.0MM ASSEMBLY</p> <p>PRODUCT CUSTOMER DRAWING</p> | | | |
| GENERAL TOLERANCES (UNLESS SPECIFIED) | | | | | |
| ANGULAR TOL | ± 1.0 ° | | | | |
| 4 PLACES | ± 0.2 | | | | |
| 3 PLACES | ± 0.2 | | | | |
| 2 PLACES | ± 0.2 | EC NO: 781755 | DRWN: RAVINR1 | 2024/03/11 | |
| 1 PLACE | ± 0.2 | CHK'D: GGA | APPR: GGA | 2024/04/10 | |
| 0 PLACES | ± 0.2 | INITIAL REVISION: | DRWN: THIRAYAMA | 2009/12/11 | |
| DRAFT WHERE APPLICABLE MUST REMAIN WITHIN DIMENSIONS | | THIRD ANGLE PROJECTION | DRAWING | SERIES | MATERIAL NUMBER |
| | | | A3-SIZE | 503480 | SEE TABLE |
| | | | | | CUSTOMER |
| | | | | | GENERAL MARKET |
| | | | | | SHEET NUMBER |
| | | | | | 1 OF 2 |

NOTES

1. PART COMPOSITION

HOUSING MATERIAL: LIQUID CRYSTAL POLYMER(LCP), GLASS FILLED, UL94V-0, NATURAL(WHITE)

TERMINAL MATERIAL: PHOSPHOR BRONZE

CONTACT AREA : SEPARATED GOLD PLATING (0.1 MICROMETER MINIMUM)

SOLDER TAIL AREA : SEPARATED GOLD PLATING

UNDERPLATE : NICKEL OVERALL (1.0 MICROMETER MINIMUM)

ACTUATOR MATERIAL : POLYAMIDE(PA), GLASS FILLED, UL94 HB, BLACK

NAIL MATERIAL: PHOSPHOR BRONZE

SOLDER TAIL AREA : TIN OVERALL(1.0 MICROMETER MINIMUM)
UNDERPLATE : NICKEL OVERALL(1.0 MICROMETER MINIMUM)

2 . PLEASE DO NOT OPERATE THE ACTUATOR BEFORE MOUNTING.

3. PLEASE OPERATE THE ACTUATOR AFTER INSERTING THE FPC INTO THE CONNECTOR.

4. ABOUT FPC

RECOMMENDED STIFFENER MATERIAL: POLYIMIDE
RECOMMENDED BASE FILM THICKNESS: 25 MICROMETER
RECOMMENDED ADHESIVE: THERMOSETTING ADHESIVE

NOTE: PLEASE PUT APPROPRIATE AMOUNT OF ADHESIVE ON ADHEREND BECAUSE THERE IS A POSSIBILITY THAT THE EXTRA ADHESIVE CAUSES THE DEFECT IN ELECTRICAL CONTINUITY.

RECOMMENDED PUNCHER DIRECTION:
FROM CONDUCTOR SIDE TO STIFFENER FILM SIDE.
RECOMMENDED CONDUCTOR SPECIFICATION:
THICKNESS OF SOFT COPPER FOIL: 35MICROMETER

5 R0.3 MUST NOT BE OVERLAPPED TO PATTERN OF FPC.

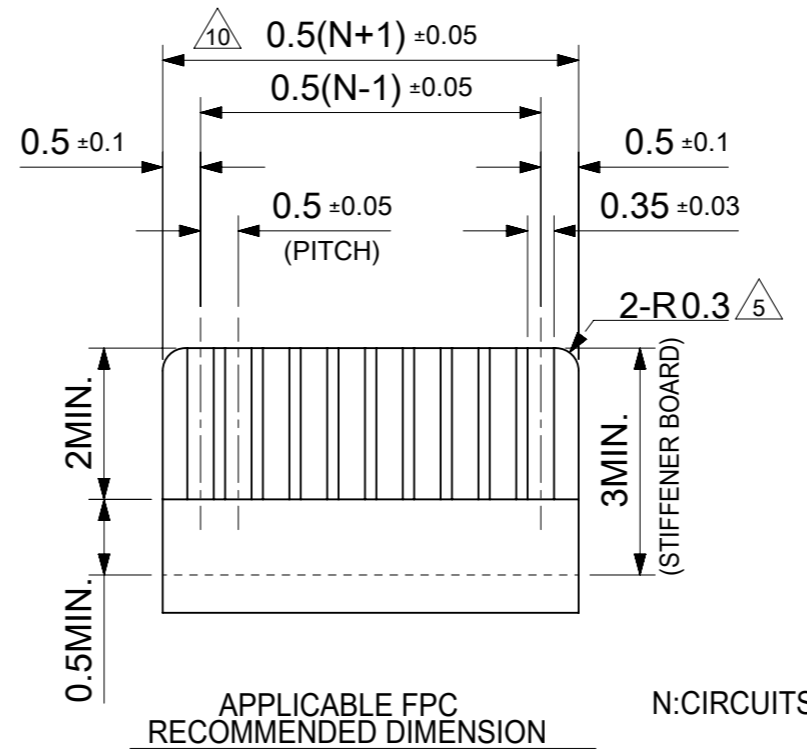
6. COPLANARITY : 0.1 MAXIMUM

7. PLEASE RECOGNIZE A POSSIBILITY TO CHANGE THE SHAPE OF THE PART THAT DOES NOT OBSTRUCT A FUNCTION, BY CIRCUMSTANCES IN OUR PRODUCTION.

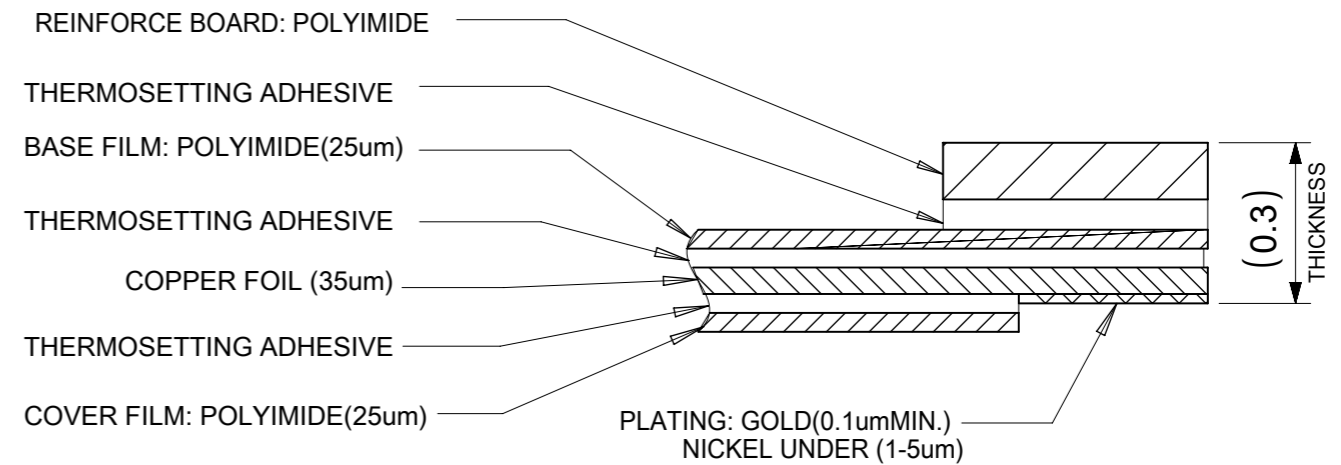
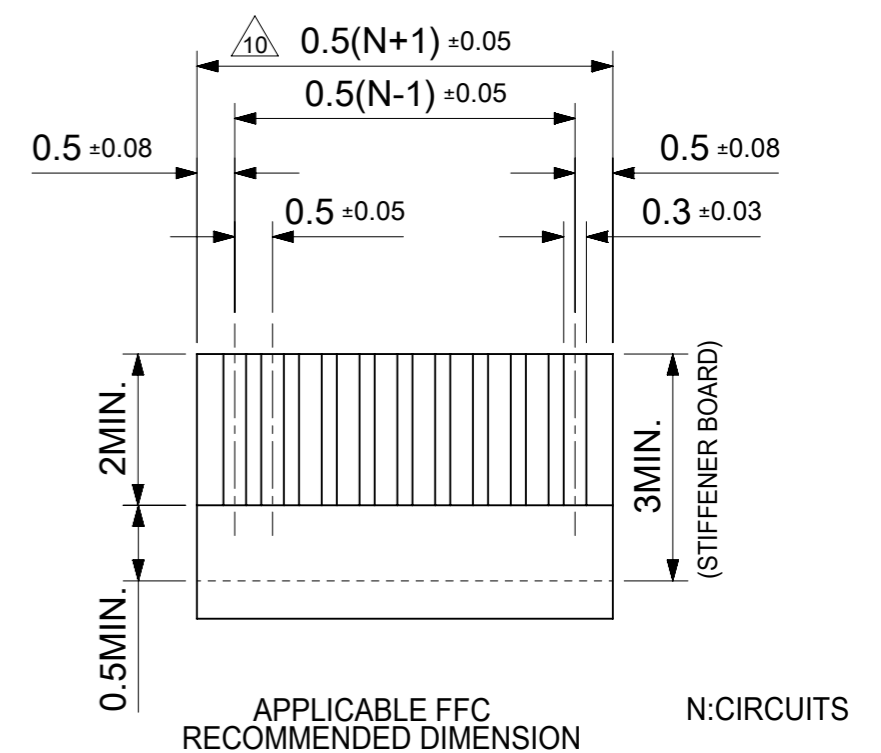
8. THIS PRODUCT IS DELIVERED WITH THE ACTUATOR IN THE OPEN POSITION.

9. THIS PRODUCT IS DUAL-CONTACT (TOP- AND BOTTOM-CONTACTS) TYPE CONNECTOR.

10 PLEASE CONFIRM TO INSERT FPC IN ADVANCE WHEN FPC WIDTH IS OVER $0.5(N+1)+0.02$.

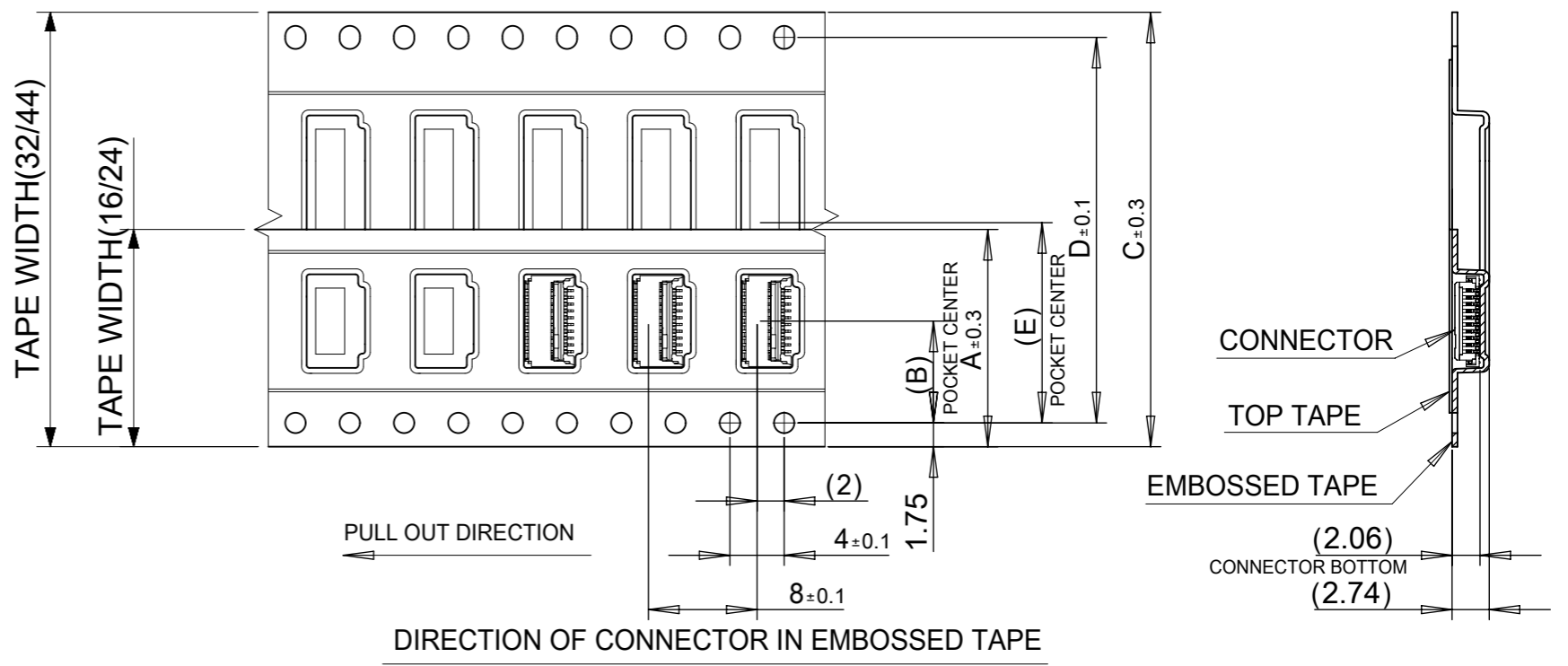
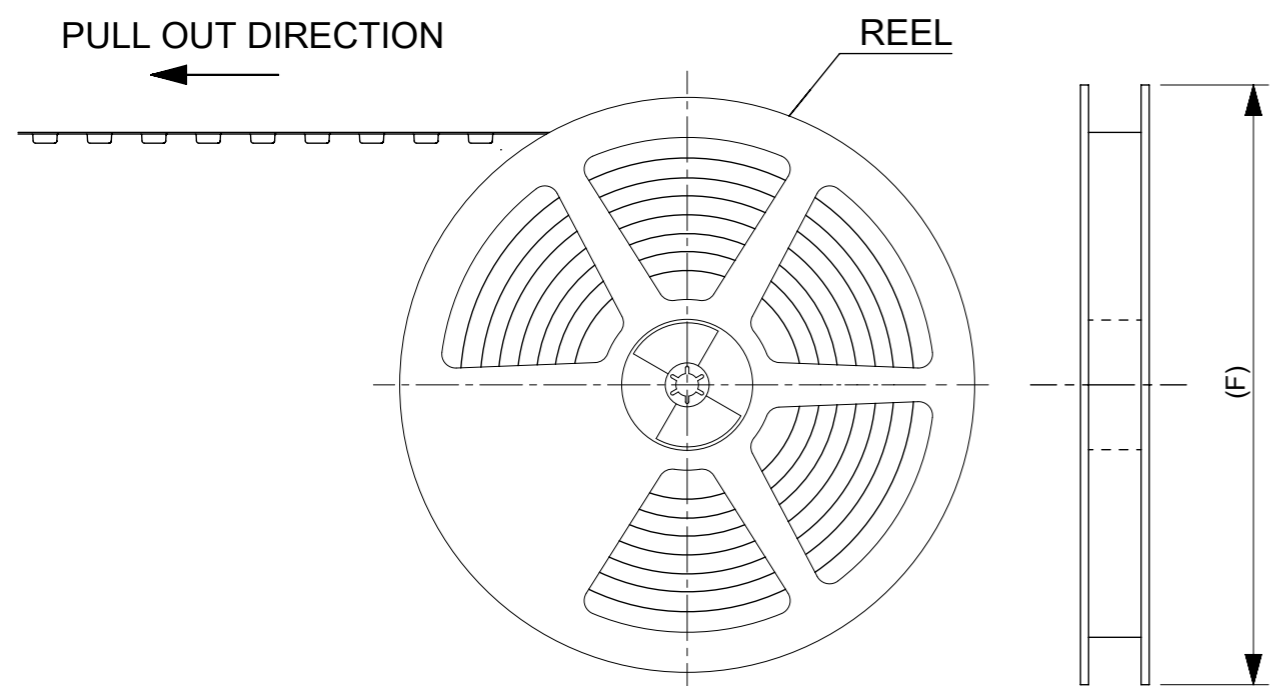


(THICKNESS : 0.3±0.05) : 30 OR LESS CIRCUITS
(THICKNESS : 0.3±0.03) : 31 OR OVER CIRCUITS



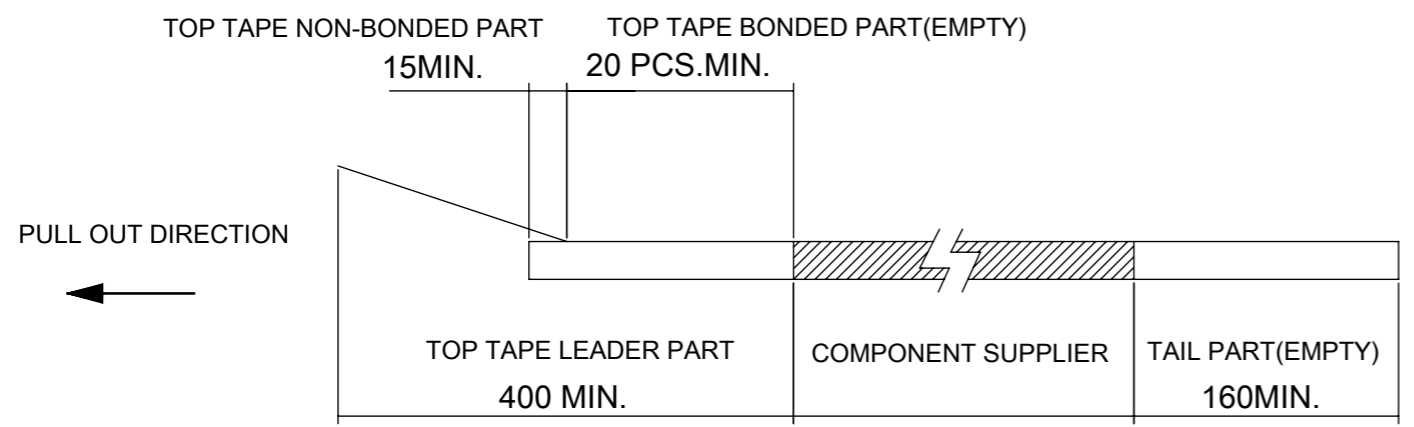
STRUCTURE OF FPC

| | | | | | | | | | | |
|---|---------|--|------------------|----------------|---|--|--|--|--|----------------------------|
| THIS DRAWING CONTAINS INFORMATION THAT IS PROPRIETARY TO MOLEX ELECTRONIC TECHNOLOGIES, LLC AND SHOULD NOT BE USED WITHOUT WRITTEN PERMISSION | | | | | | | | | | |
| DIMENSION UNITS | SCALE | CURRENT REV DESC: REMOVED OBSOLETE PART NUMBERS AS PER PCN#513389. | | | | | | | | |
| mm | 1:1 | <div style="text-align: center;">molex</div> <p>0.5 FPC CONN. E/O BACKFLIP H=1.0MM ASSEMBLY</p> <p>PRODUCT CUSTOMER DRAWING</p> | | | | | | | | |
| GENERAL TOLERANCES (UNLESS SPECIFIED) | | | | | | | | | | |
| ANGULAR TOL | ± 1.0 ° | | | | | | | | | |
| 4 PLACES | ± 0.2 | | | | | | | | | |
| 3 PLACES | ± 0.2 | | | | | | | | | |
| 2 PLACES | ± 0.2 | | | | | | | | | |
| 1 PLACE | ± 0.2 | EC NO: 781755 | DRWN: RAVINR1 | 2024/03/11 | DOCUMENT NUMBER: SD-503480-001 DOC TYPE: PSD DOC PART: 001 REVISION: J1 | | | | | |
| 0 PLACES | ± 0.2 | CHK'D: GGA | 2024/04/10 | APPR: GGA | | | | | | 2024/04/10 |
| DRAFT WHERE APPLICABLE MUST REMAIN WITHIN DIMENSIONS | | INITIAL REVISION: | DRWN: THIRAYAMA | 2009/12/11 | | | | | | MATERIAL NUMBER: SEE TABLE |
| | | THIRD ANGLE PROJECTION | DRAWING: A3-SIZE | SERIES: 503480 | | | | | | |



NOTES

1. IN THE PACKAGE, PART NO.503480-**09 DETAILED DIMENSIONS. REFER TO SD-503480-001
2. NUMBER OF CONNECTORS : 3000PCS/REEL
3. LEAD TAPE LENGTH



4. MATERIAL
 CARRIER TAPE : PET
 TOP TAPE : PET, OTHER
 REEL : PS (RECYCLE MATERIAL CONTAINED)
5. COVER TAPE PEEL FORCE IS DEFINED BY IEC60286-3.

| | | | | | | | | |
|-----|------|------|----|------|----|------------|-------------|---------|
| 380 | 20.2 | 40.4 | 44 | - | - | 44 | 503480-4000 | (E1) 40 |
| | | | | | | | 503480-3800 | (E1) 38 |
| | | | | | | | 503480-3600 | (E1) 36 |
| 330 | 14.2 | 28.4 | 32 | - | - | 32 | 503480-3400 | (E1) 34 |
| | | | | | | | 503480-3200 | 32 |
| 380 | - | - | - | 11.5 | 24 | 24 | 503480-3000 | (E1) 30 |
| | | | | | | | 503480-2800 | (E1) 28 |
| | | | | | | | 503480-2600 | 26 |
| | | | | | | | 503480-2400 | 24 |
| | | | | | | | 503480-2200 | 22 |
| | | | | | | | 503480-2000 | 20 |
| | | | | | | | 503480-1800 | 18 |
| | | | | | | | 503480-1700 | 17 |
| | | | | | | | 503480-1600 | 16 |
| | | | | | | | 503480-1400 | 14 |
| 330 | - | - | - | 7.5 | 16 | 16 | 503480-1200 | 12 |
| | | | | | | | 503480-1000 | 10 |
| | | | | | | | 503480-0800 | 8 |
| | | | | | | | 503480-0600 | 6 |
| | | | | | | | | |
| F | E | D | C | B | A | TAPE WIDTH | ORDER NO. | CIRCUIT |

THIS DRAWING CONTAINS INFORMATION THAT IS PROPRIETARY TO MOLEX ELECTRONIC TECHNOLOGIES, LLC AND SHOULD NOT BE USED WITHOUT WRITTEN PERMISSION

| | | | |
|--|-------|------------------------|--|
| DIMENSION UNITS | SCALE | CURRENT REV | DESC: REMOVED OBSOLETE PART NUMBERS AS PER PCN#513389. |
| mm | NTS | 781755 | |
| GENERAL TOLERANCES (UNLESS SPECIFIED) | | EC NO: 781755 | |
| ANGULAR TOL ± 3.0° | | DRWN: RAVINR1 | 2024/03/11 |
| 4 PLACES ± | | CHK'D: GGA | 2024/04/10 |
| 3 PLACES ± | | APPR: GGA | 2024/04/10 |
| 2 PLACES ± | | INITIAL REVISION: | |
| 1 PLACE ± | | DRWN: THIRAYAMA | 2009/12/11 |
| 0 PLACES ± | | APPR: KMORIKAWA | 2009/12/14 |
| DRAFT WHERE APPLICABLE MUST REMAIN WITHIN DIMENSIONS | | THIRD ANGLE PROJECTION | DRAWING |
| | | A3-SIZE | SERIES |
| | | 503480 | MATERIAL NUMBER |
| | | SEE TABLE | CUSTOMER |
| | | GENERAL MARKET | SHEET NUMBER |
| | | | 1 OF 1 |

molex

0.5 FPC CONN. E/O
EMBOSSSED TAPE PACKAGE

PRODUCT CUSTOMER DRAWING

DOCUMENT NUMBER: SD-503480-002 DOC TYPE: PSD DOC PART: 001 REVISION: E3

| |
|--------------------------|
| 10 UNDER : ±0.20 |
| 10 OVER 30 UNDER : ±0.25 |
| 30 OVER : ±0.30 |