

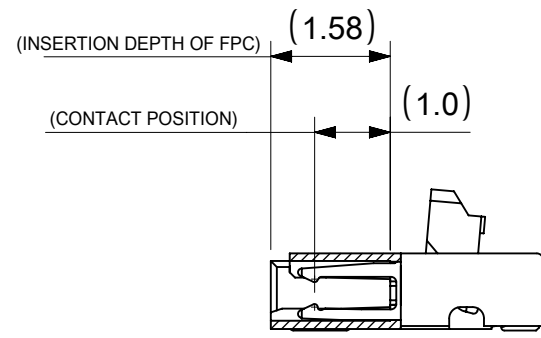
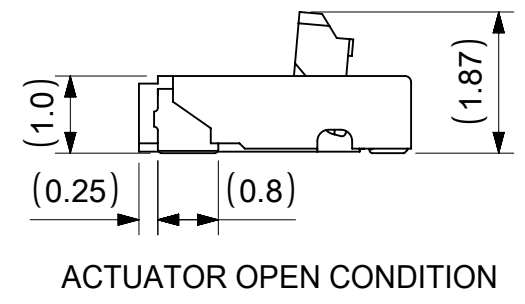
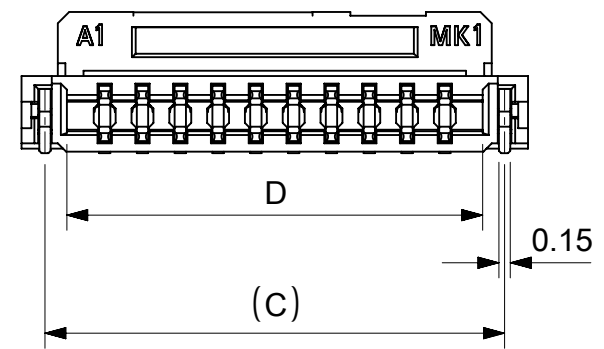
PICK-UP AREA(REF.)

N:CIRCUITS

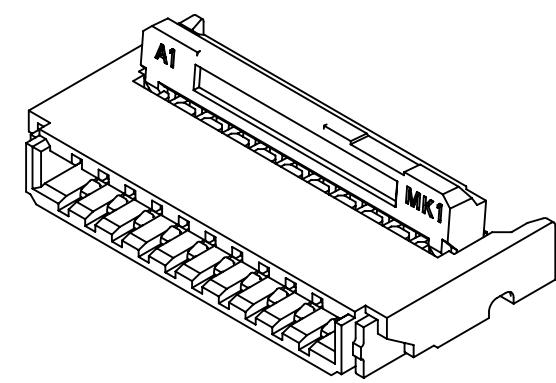
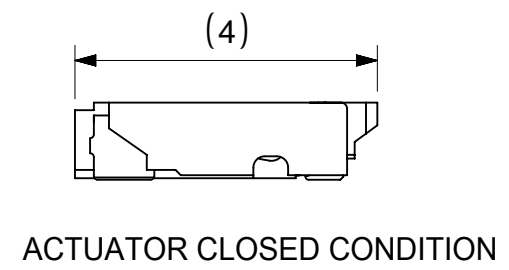
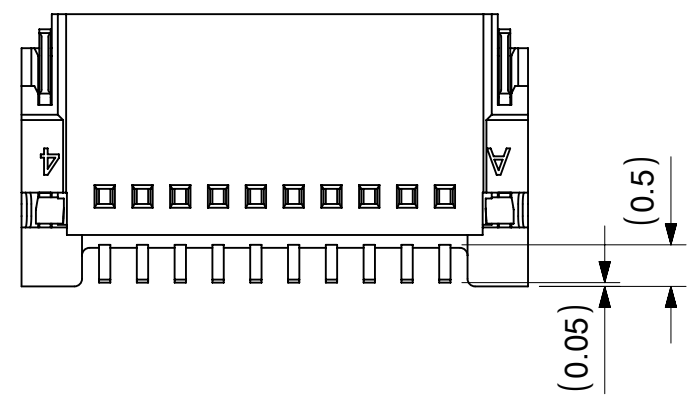
P.W.BOARD PATTERN DIMENSION(REF.)
(MOUNT AREA)

METAL MASK THICKNESS : 0.1mm
OPENING AREA : TERM.(0.7X0.3)
NAIL(1.0X0.3)

N:CIRCUITS



SECTION Y-Y



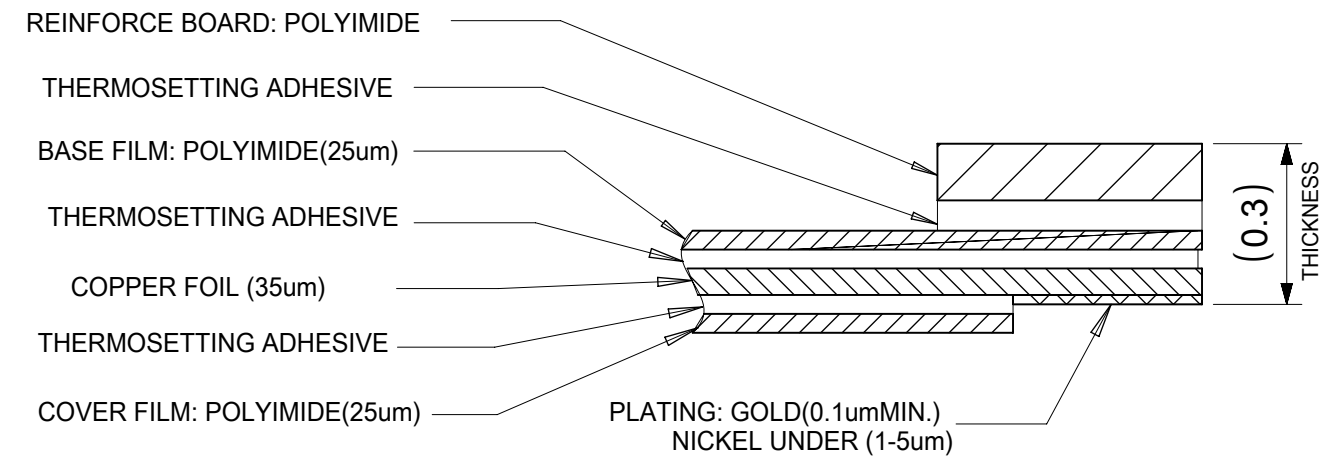
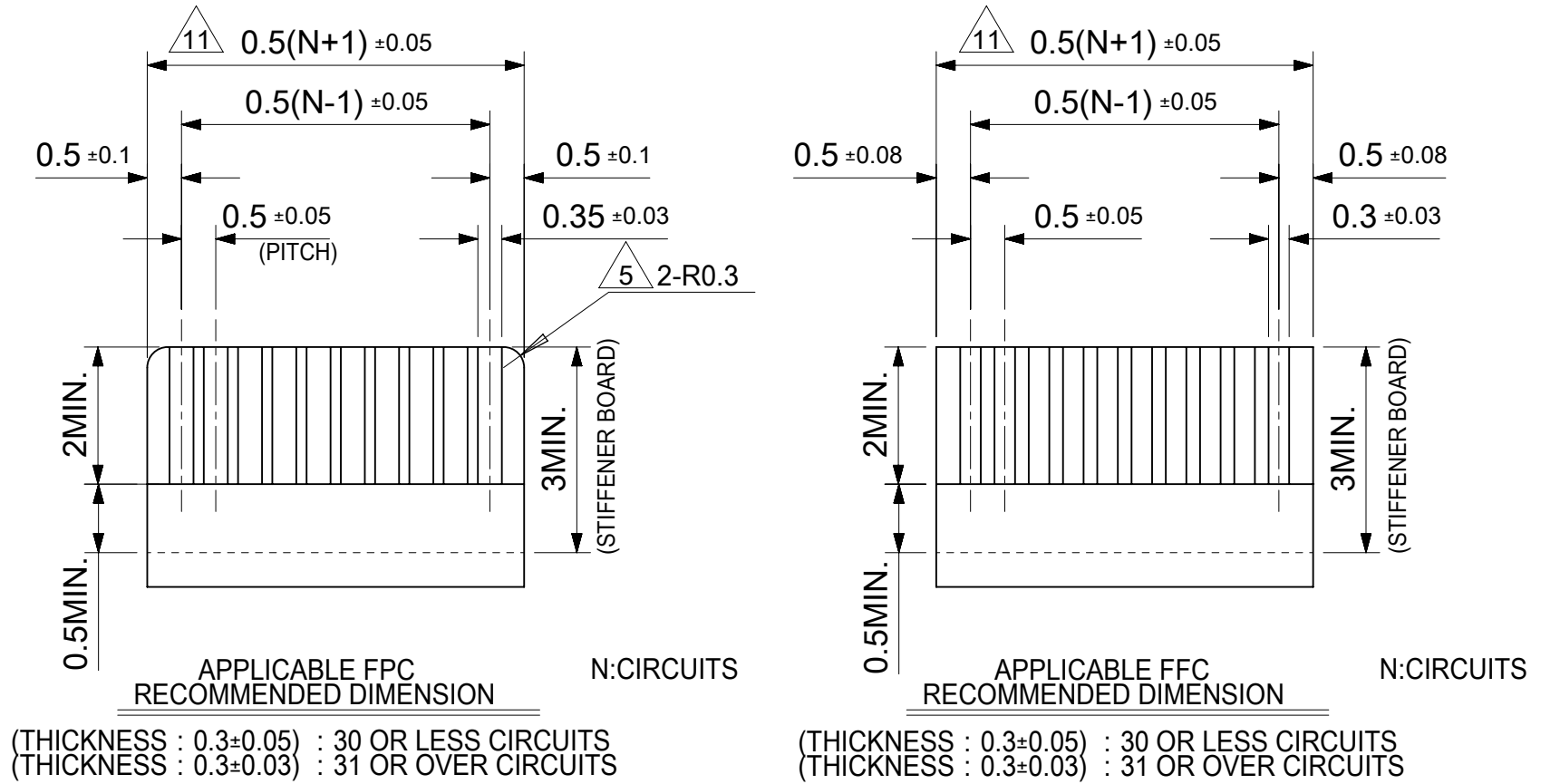
3.5	4.08	2.5	4.7	503480-0640	6
3.0	3.58	2.0	4.2	503480-0540	5
2.5	3.08	1.5	3.7	503480-0440	4
D	C	B	A	EMBOSSED PACKAGE ORDER NO.	CIRCUIT
CONNECTOR SERIES No. 503480-**49					

THIS DRAWING CONTAINS INFORMATION THAT IS PROPRIETARY TO MOLEX ELECTRONIC TECHNOLOGIES, LLC AND SHOULD NOT BE USED WITHOUT WRITTEN PERMISSION

DIMENSION UNITS mm	SCALE 1:1	CURRENT REV DESC:		molex		
GENERAL TOLERANCES (UNLESS SPECIFIED)		EC NO: 740220				
ANGULAR TOL ± 1.0°		DRWN: NARENC 2023/02/17		PRODUCT CUSTOMER DRAWING		
4 PLACES ± 0.2		CHK'D: HSHIMOYAMA 2023/02/27				
3 PLACES ± 0.2		APPR: YNAITO 2023/02/27		DOC TYPE PSD		
2 PLACES ± 0.2		INITIAL REVISION:				
1 PLACE ± 0.2		DRWN: YRKIM 2014/06/11		REVISION C		
0 PLACES ± 0.2		APPR: YSKIM02 2014/07/15				
DRAFT WHERE APPLICABLE MUST REMAIN WITHIN DIMENSIONS		THIRD ANGLE PROJECTION	DRAWING A3-SIZE	SERIES 503480	MATERIAL NUMBER SEE TABLE	CUSTOMER GENERAL MARKET

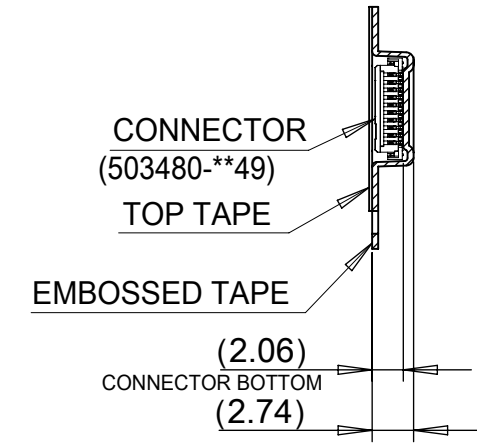
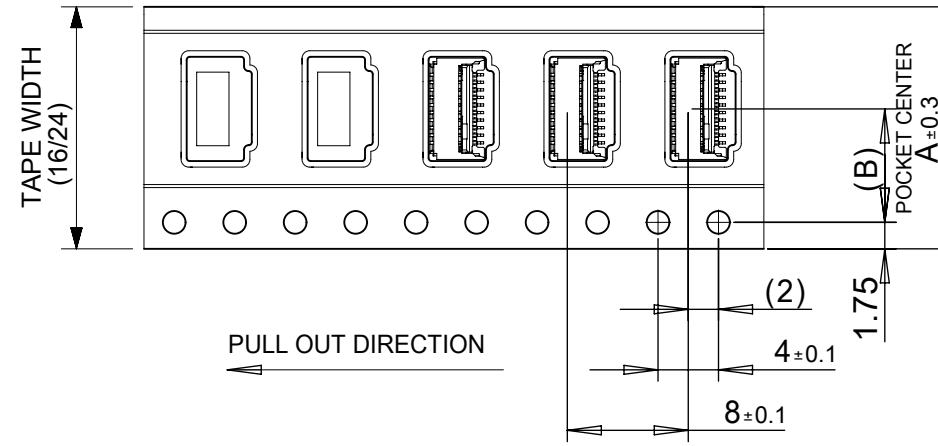
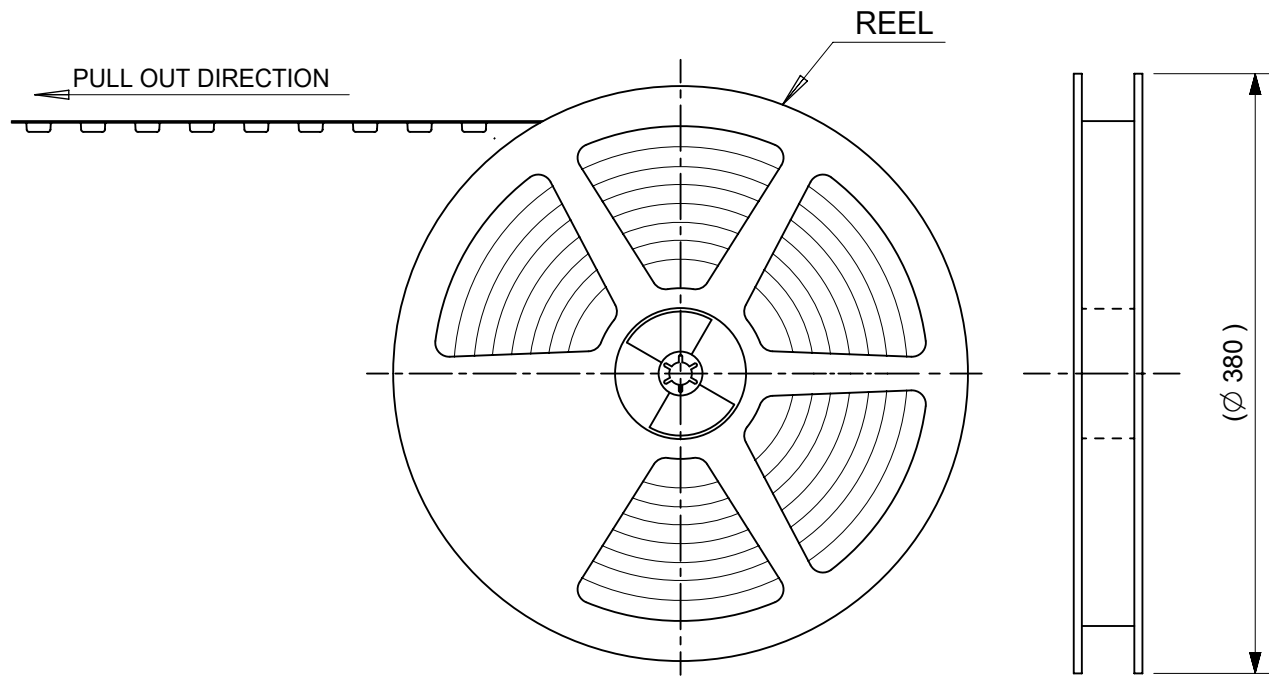
NOTES

1. PART COMPOSITION
 HOUSING MATERIAL: LIQUID CRYSTAL POLYMER(LCP),
 GLASS FILLED, UL94V-0, NATURAL(WHITE)
 TERMINAL MATERIAL: PHOSPHOR BRONZE
 CONTACT AREA : SEPARATED GOLD PLATING
 (0.1 MICROMETER MINIMUM)
 SOLDER TAIL AREA : SEPARATED GOLD PLATING
 UNDERPLATE : NICKEL OVERALL
 (1.0 MICROMETER MINIMUM)
 ACTUATOR MATERIAL : POLYAMIDE(PA), GLASS FILLED,
 UL94 HB, BLACK
 NAIL MATERIAL: PHOSPHOR BRONZE
 SOLDER TAIL AREA : TIN OVERALL(1.0 MICROMETER MINIMUM)
 UNDERPLATE : NICKEL OVERALL(1.0 MICROMETER MINIMUM)
2. PLEASE DO NOT OPERATE THE ACTUATOR BEFORE MOUNTING.
3. PLEASE OPERATE THE ACTUATOR AFTER INSERTING THE FPC INTO THE CONNECTOR.
4. ABOUT FPC
 RECOMMENDED STIFFENER MATERIAL: POLYIMIDE
 RECOMMENDED BASE FILM THICKNESS: 25 MICROMETER
 RECOMMENDED ADHESIVE: THERMOSETTING ADHESIVE
 NOTE: PLEASE PUT APPROPRIATE AMOUNT OF ADHESIVE ON ADHEREND BECAUSE THERE IS A POSSIBILITY THAT THE EXTRA ADHESIVE CAUSES THE DEFECT IN ELECTRICAL CONTINUITY.
 RECOMMENDED PUNCHER DIRECTION:
 FROM CONDUCTOR SIDE TO STIFFENER FILM SIDE.
 RECOMMENDED CONDUCTOR SPECIFICATION:
 THICKNESS OF SOFT COPPER FOIL: 35MICROMETER
5. R0.3 MUST NOT BE OVERLAPPED TO PATTERN OF FPC.
6. COPLANARITY : 0.1 MAXIMUM
8. PLEASE RECOGNIZE A POSSIBILITY TO CHANGE THE SHAPE OF THE PART THAT DOES NOT OBSTRUCT A FUNCTION, BY CIRCUMSTANCES IN OUR PRODUCTION.
9. THIS PRODUCT IS DELIVERED WITH THE ACTUATOR IN THE OPEN POSITION.
10. THIS PRODUCT IS DUAL-CONTACT (TOP- AND BOTTOM-CONTACTS) TYPE CONNECTOR.
11. PLEASE CONFIRM TO INSERT FPC IN ADVANCE WHEN FPC WIDTH IS OVER $0.5(N+1)+0.02$.



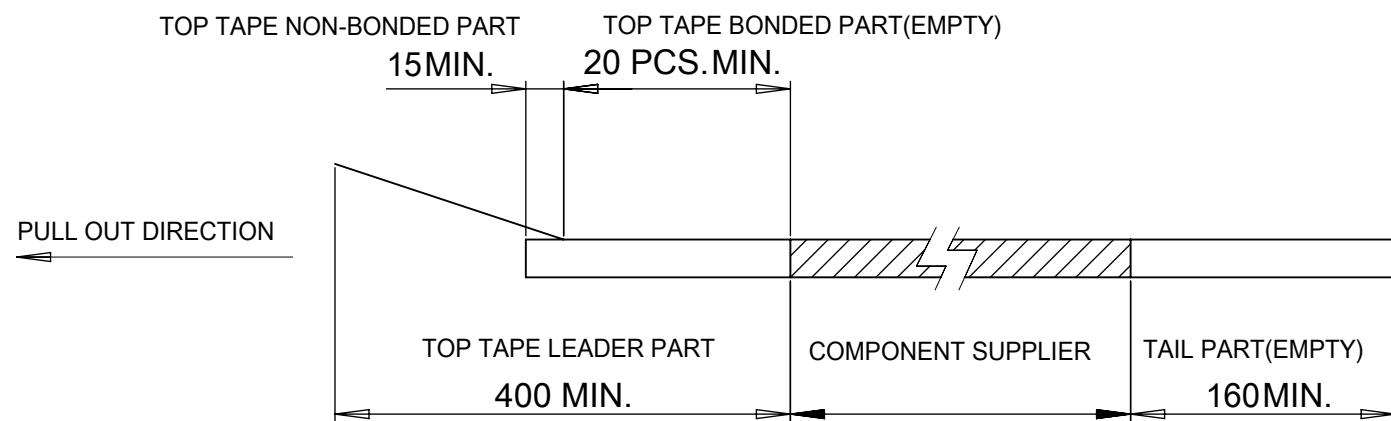
STRUCTURE OF FPC

THIS DRAWING CONTAINS INFORMATION THAT IS PROPRIETARY TO MOLEX ELECTRONIC TECHNOLOGIES, LLC AND SHOULD NOT BE USED WITHOUT WRITTEN PERMISSION									
DIMENSION UNITS	SCALE	CURRENT REV DESC:					molex		
mm	1:1								
GENERAL TOLERANCES (UNLESS SPECIFIED)							0.5 FPC CONN. E/O BACKFLIP H=1.0MM ASSEMBLY		
ANGULAR TOL ± 1.0°							PRODUCT CUSTOMER DRAWING		
4 PLACES	± 0.2	EC NO: 740220	2023/02/17		DOCUMENT NUMBER: SD-503480-003 DOC TYPE: PSD DOC PART: 001 REVISION: C				
3 PLACES	± 0.2	DRWN: NARENC	2023/02/27						
2 PLACES	± 0.2	CHK'D: HSHIMUYAMA	2023/02/27						
1 PLACE	± 0.2	APPR: YNAITO	2023/02/27						
0 PLACES	± 0.2	INITIAL REVISION:		2014/06/11					
DRAFT WHERE APPLICABLE MUST REMAIN WITHIN DIMENSIONS		DRWN: YRKIM	2014/07/15						
		APPR: YSKIM02							
		THIRD ANGLE PROJECTION	DRAWING	SERIES	MATERIAL NUMBER	CUSTOMER		SHEET NUMBER	
			A3-SIZE	503480	SEE TABLE	GENERAL MARKET		2 OF 2	



NOTES

1. IN THE PACKAGE, PART NO. 503480-**49 DETAILED DIMENSIONS. REFER TO SD-503480-003.
2. NUMBER OF CONNECTORS : 4500PCS/REEL
- 3 LEAD TAPE LENGTH



4. MATERIAL
 CARRIER TAPE : PET
 TOP TAPE : PET, OTHER
 REEL : PS <RECYCLE MATERIAL CONTAINED>

5 . COVER TAPE PEEL FORCE IS DEFINED BY IEC60286-3.

7.5	16	16	503480-0640	6
			503480-0540	5
			503480-0440	4
B	A	TAPE WIDTH	ORDER NO.	CIRCUIT

10 UNDER : ±0.20
10 OVER 30 UNDER : ±0.25
30 OVER : ±0.30

FUNCTIONAL SYMBOLS	THIS DRAWING CONTAINS INFORMATION THAT IS PROPRIETARY TO MOLEX ELECTRONIC TECHNOLOGIES, LLC AND SHOULD NOT BE USED WITHOUT WRITTEN PERMISSION		CURRENT REV DESC:	
△/A = 0	mm	NTS	EC NO: 676145	
△/E = 0	GENERAL TOLERANCES (UNLESS SPECIFIED)		DRWN: ICYANG 2021/07/29	
△/V = 0	ANGULAR TOL ± 3.0°		CHK'D: SHCHU 2021/09/02	
DIVISIONAL SYMBOLS	4 PLACES ±		APPR: SHCHU 2021/09/02	
	3 PLACES ±		INITIAL REVISION:	
	2 PLACES ±		DRWN: YRKIM 2014/06/11	
	1 PLACE ±		APPR: YSKIM02 2014/07/15	
	0 PLACES ±		DOCUMENT NUMBER: SD-503480-004	
DRAFT WHERE APPLICABLE MUST REMAIN WITHIN DIMENSIONS		THIRD ANGLE PROJECTION	DRAWING: A3-SIZE	SERIES: 503480
			MATERIAL NUMBER	CUSTOMER: GENERAL MARKET
			DOC TYPE: PSD	DOC PART: 001
			REVISION: D1	SHEET NUMBER: 1 OF 1