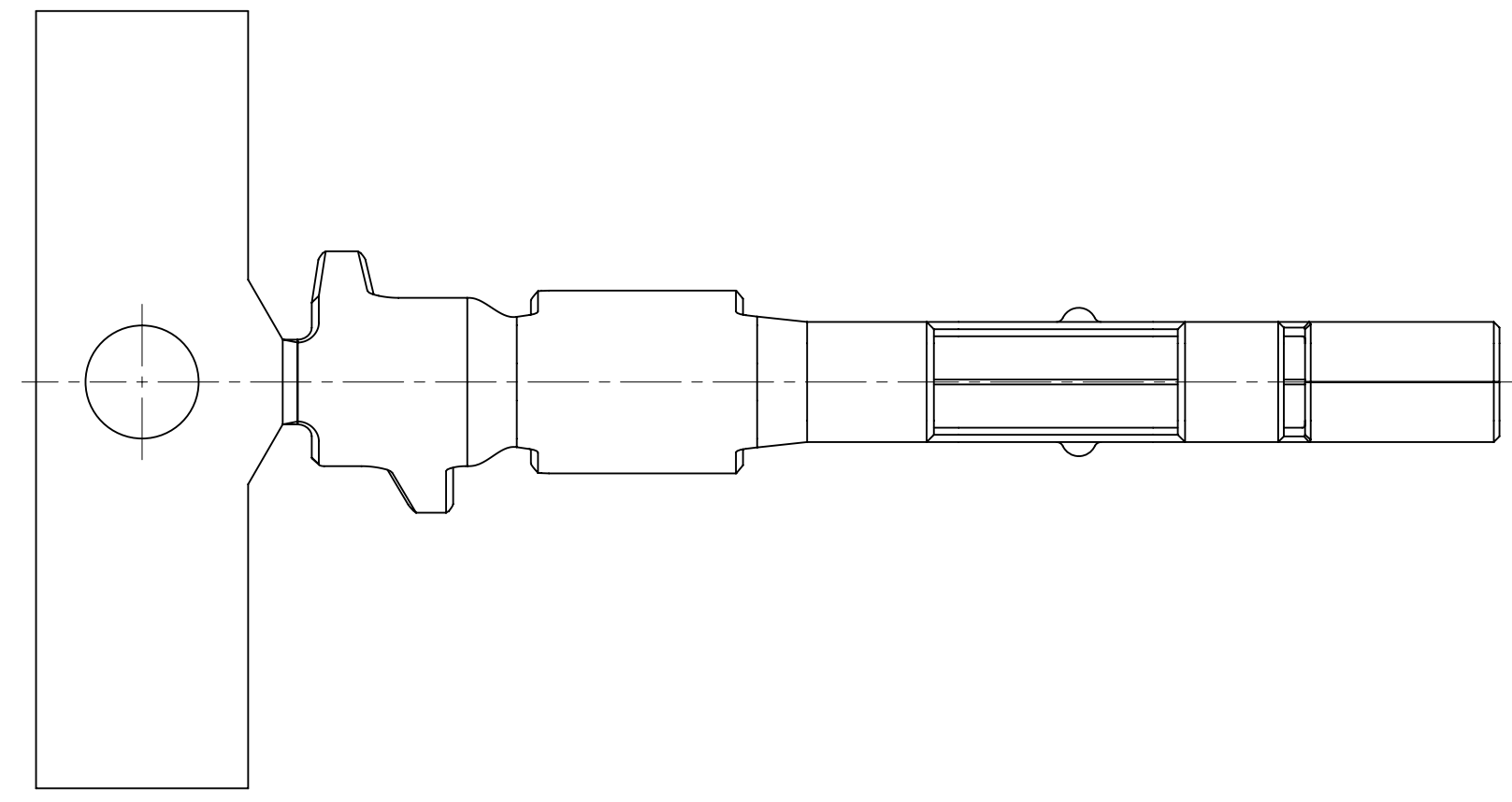
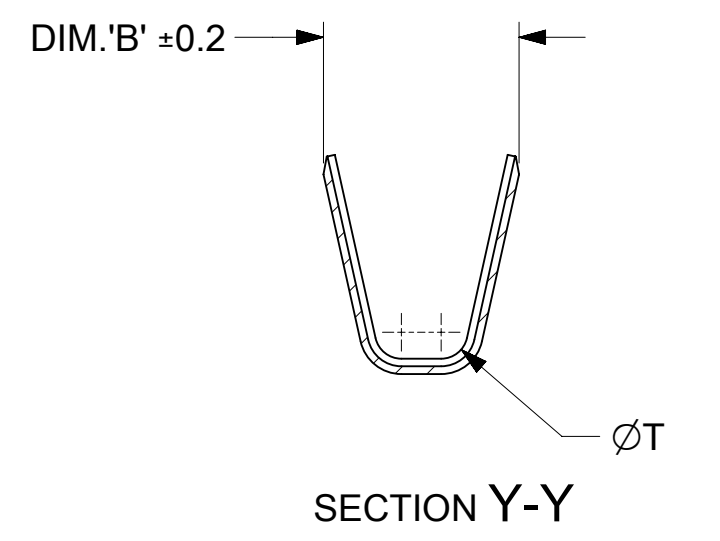
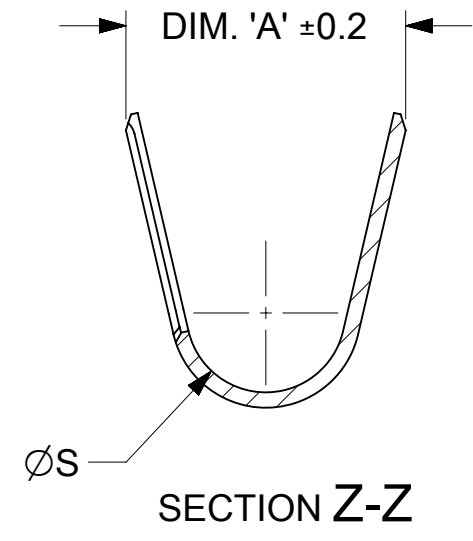
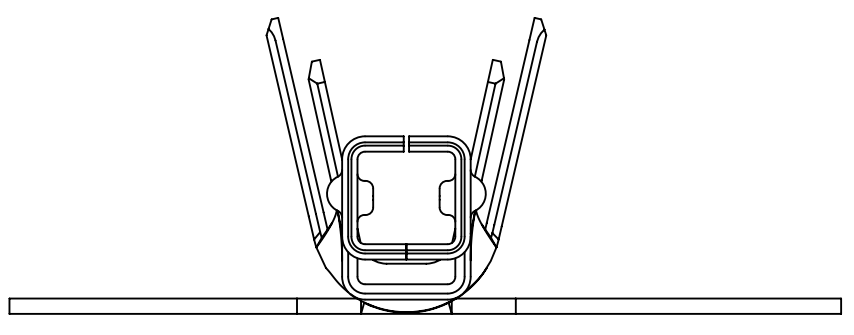
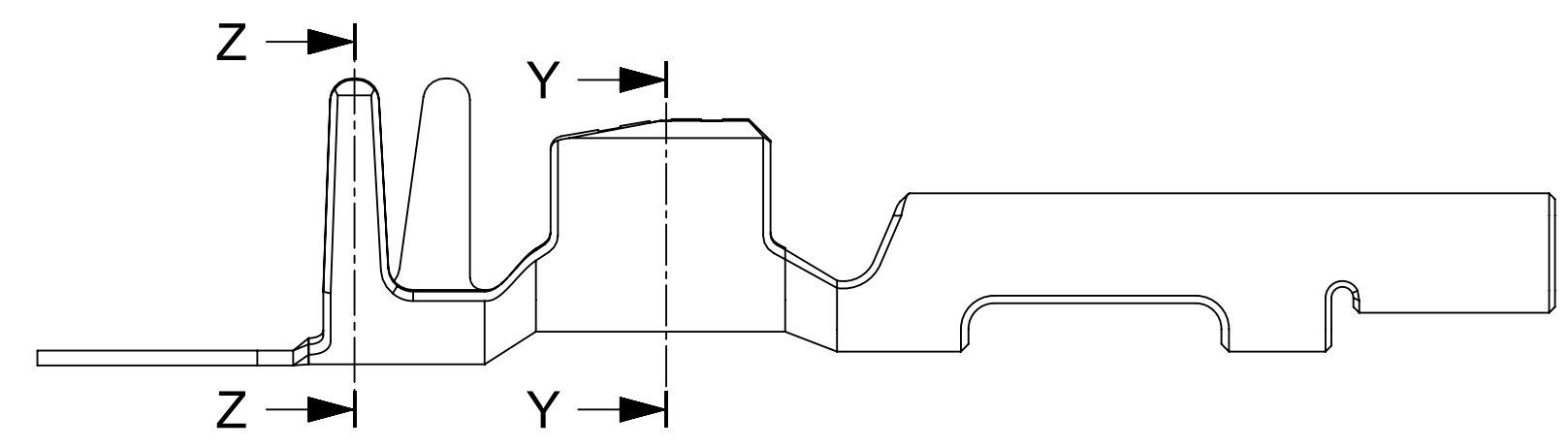
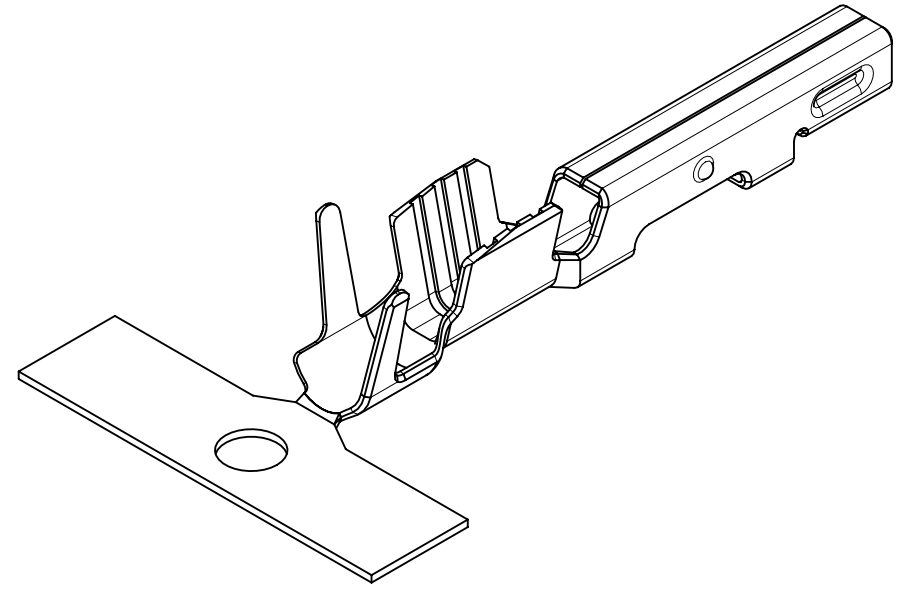
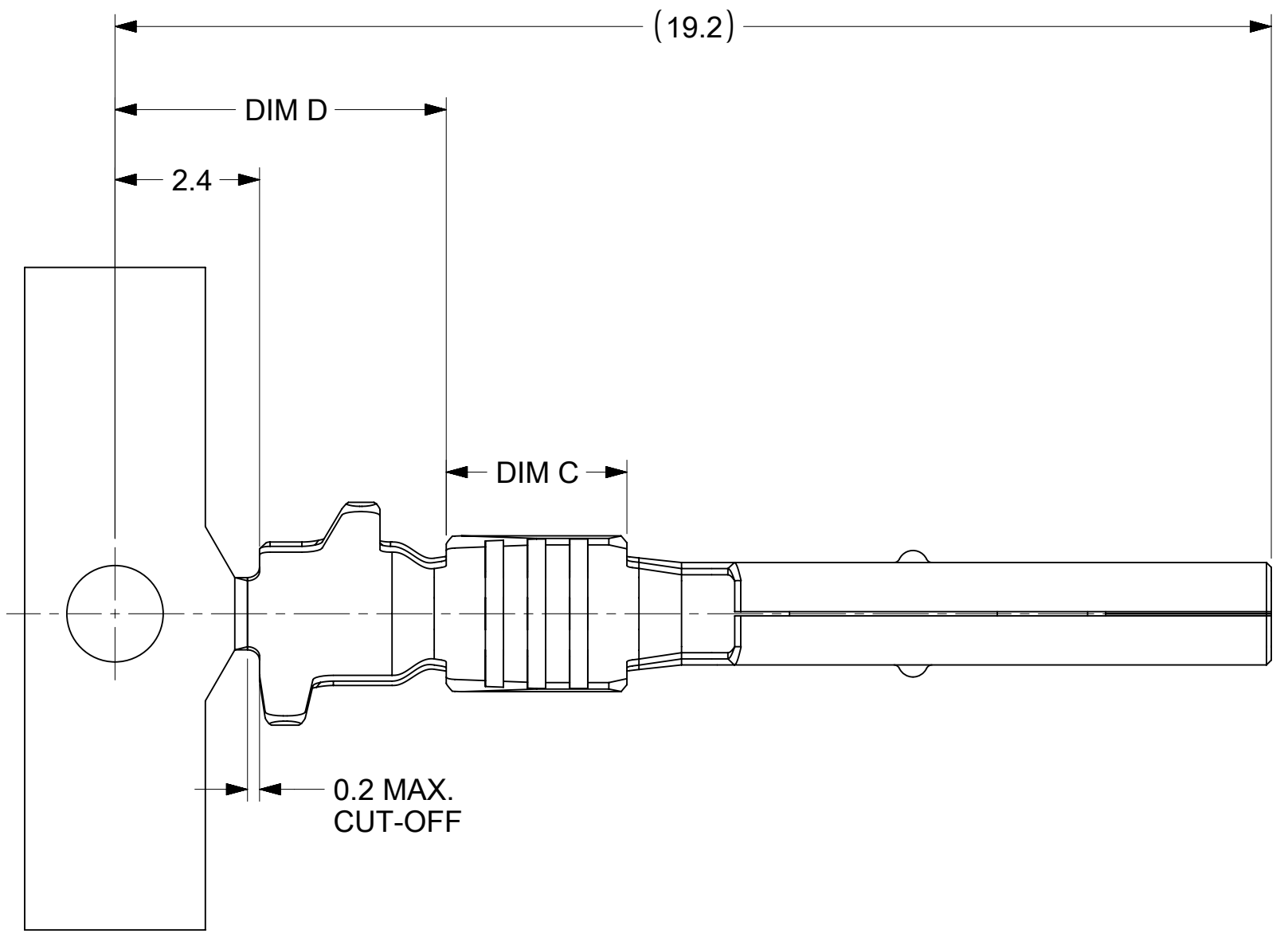


- NOTES:
1. MATERIAL: COPPER ALLOY
 2. PLATING: 100µin MIN. OVERALL MATTE TIN OVER
50µin MIN. OVERALL MATTE NICKEL.
 3. PRODUCT SPECIFICATION: 2077760000-PS
 4. APPLICATION SPECIFICATION: 207776000-AS
 5. PACKAGING SPEC: REEL PACK PER: 2077770000-PK
 6. THIS CRIMP TERMINAL TO BE USED WITH ASSEMBLY
SERIES 207782
 7. THIS CRIMP TERMINAL MATES WITH PLUG CRIMP
TERMINAL SERIES 207776
 8. THIS PART CONFORMS TO CLASS 'B' REQUIREMENTS OF
COSMETIC SPEC PS-45499-002
 9. WIRE SPECIFICATION: SEE CHART
 10. CRIMP TOOLING:
APPLICATOR PART NUMBER: REFER 2077760000-AS
HAND TOOL PART NUMBER: REFER 2077760000-AS



TERMINAL PART NO.	WIRE AWG	INSULATION DIA	A	B	C	D	S	T	WIRE STYLE
2077770001	16AWG	1.9 - 2.4	3.7	2.6	3.0	5.5	2.1	0.7	UL1007/UL1061
2077770002	18-20AWG	1.46 - 2.1	2.7	2.0	3.0	5.5	1.6	0.6	UL1007/UL1061
2077770003	18-20AWG	2.55 - 2.70	3.7	2.0	2.2	6.3	2.5	0.7	UL1015/UL1230

THIS DRAWING CONTAINS INFORMATION THAT IS PROPRIETARY TO MOLEX ELECTRONIC TECHNOLOGIES, LLC AND SHOULD NOT BE USED WITHOUT WRITTEN PERMISSION

DIMENSION UNITS mm	SCALE 10:1	CURRENT REV DESC:		molex
GENERAL TOLERANCES (UNLESS SPECIFIED)		EC NO: 754828		
ANGULAR TOL ± °	4 PLACES ±	DRWN: VENKAS5	2023/06/27	
3 PLACES ±	2 PLACES ±	CHK'D: VENKAS5	2023/06/27	
1 PLACE ± 0.2	0 PLACES ±	APPR: MRAMAKRISHNA	2023/06/27	
DRAFT WHERE APPLICABLE MUST REMAIN WITHIN DIMENSIONS		INITIAL REVISION:		PRODUCT CUSTOMER DRAWING
THIRD ANGLE PROJECTION		DRWN: MUM	2019/01/31	DOCUMENT NUMBER
DRAWING		APPR: NCSR	2019/07/03	2077770000-SD
SERIES		MATERIAL NUMBER		DOC TYPE
A2-SIZE 207777		SEE TABLE		PSD
SHEET NUMBER		CUSTOMER		DOC PART
1 OF 1		GENERAL MARKET		000 C1