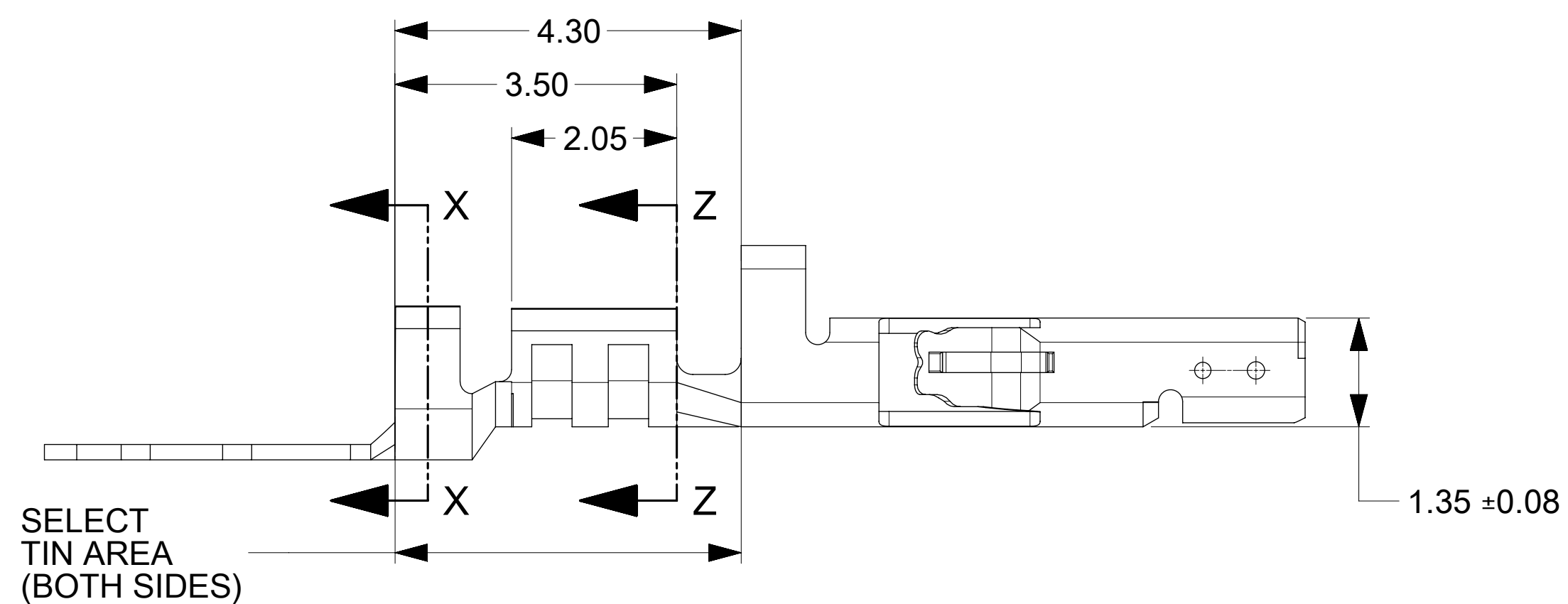
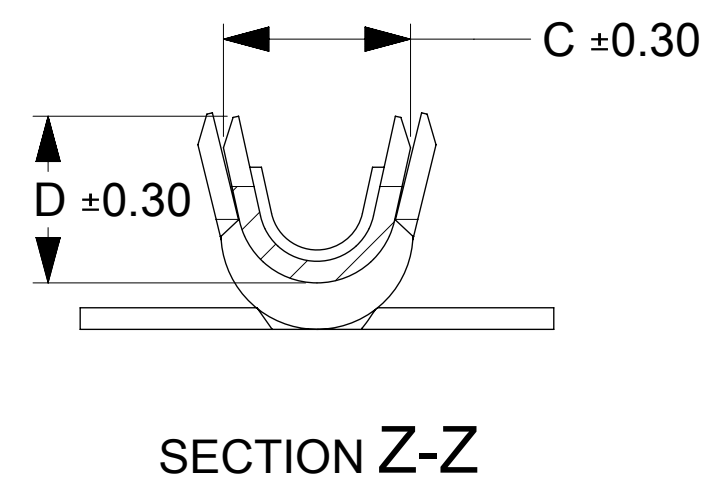
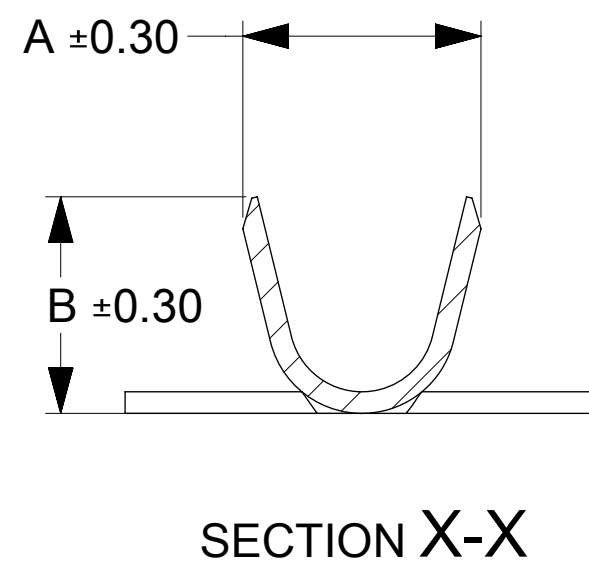
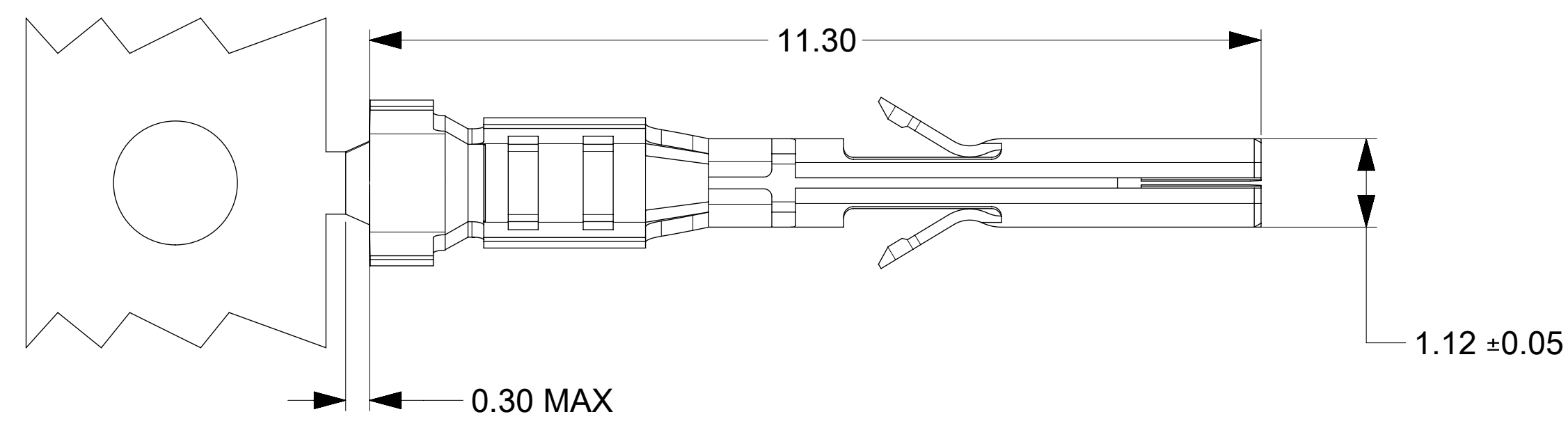
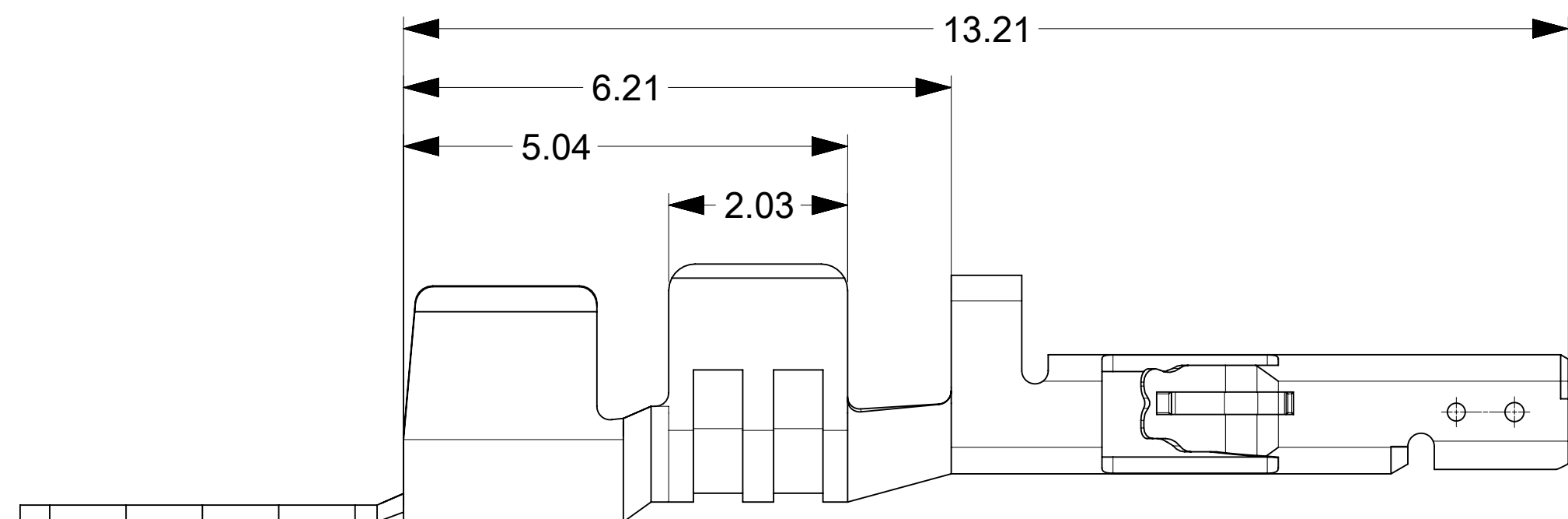


FOR 18AWG & 20-24AWG & 26-30AWG



FOR 16AWG



PART NUMBER	CONTACT PLATING OPTION	WIRE SIZE	ASSEMBLY OPTION	LUBRICATED	A	B	C	D
2064600011	OPTION 1	26-30 AWG	CHAIN	YES	2.10	1.91	1.65	1.47
2064600021		20-24 AWG			2.51	2.31	2.08	1.91
2064600031		18 AWG			2.51	2.31	2.39	2.18
2064600041		16 AWG			2.97	2.67	2.70	2.70
2064600012	OPTION 2	26-30 AWG	CHAIN	NO	2.10	1.91	1.65	1.47
2064600022		20-24 AWG			2.51	2.31	2.08	1.91
2064600032		18 AWG			2.51	2.31	2.39	2.18
2064600042		16 AWG			2.97	2.67	2.70	2.70
2064600013	OPTION 3	26-30 AWG	CHAIN	NO	2.10	1.91	1.65	1.47
2064600023		20-24 AWG			2.51	2.31	2.08	1.91
2064600033		18 AWG			2.51	2.31	2.39	2.18
2064600043		16 AWG			2.97	2.67	2.70	2.70

- NOTES:
- MATERIAL: HIGH COPPER ALLOY
 - PLATING :
 - OPTION 1: TIN 2.5 μm MIN OVER ALL, OVER NICKEL 1.25 μm MIN OVERALL
 - OPTION 2: 0.38μm(15μ") MIN GOLD CONTACT AREA, 1.52μm(60μ")MIN MATTE TIN CRIMP AREA, OVER NICKEL 1.27μm(50μ")MIN OVERALL
 - OPTION 3: 0.76μm(30μ") MIN GOLD CONTACT AREA, 1.52μm(60μ")MIN MATTE TIN CRIMP AREA, OVER NICKEL 1.27μm(50μ")MIN OVERALL
 - PRODUCT SPECIFICATION: 2064600000-PS
 - PACKAGING SPECIFICATION: 2064600000-PK
 - TERMINAL FOR USE IN RECEPTACLE SERIES 206461
 - COSMETIC SPECIFICATION: PS-45499-002 CLASS B

THIS DRAWING CONTAINS INFORMATION THAT IS PROPRIETARY TO MOLEX ELECTRONIC TECHNOLOGIES, LLC AND SHOULD NOT BE USED WITHOUT WRITTEN PERMISSION									
DIMENSION UNITS mm		SCALE NTS		CURRENT REV DESC:				molex	
GENERAL TOLERANCES (UNLESS SPECIFIED)				EC NO: 758590					
ANGULAR TOL ± 3.0°				DRWN: ZIXUAG 2023/08/02				FEMALE TERMINAL MICRO-FIT + SOLUTION	
4 PLACES ±				CHK'D: XQZHANG 2023/08/09					
3 PLACES ±				APPR: XQZHANG 2023/08/09				PRODUCT CUSTOMER DRAWING	
2 PLACES ± 0.25				INITIAL REVISION:					
1 PLACE ± 0.35				DRWN: SMAHAJANSHET 2018/05/08				DOCUMENT NUMBER 2064600000-SD	
0 PLACES ±				APPR: NCSR 2019/04/02					
DRAFT WHERE APPLICABLE MUST REMAIN WITHIN DIMENSIONS		THIRD ANGLE PROJECTION		DRAWING D-SIZE		SERIES 206460		DOC PART 000	
						MATERIAL NUMBER SEE TABLE		REVISION A4	
						CUSTOMER GENERAL MARKET		SHEET NUMBER 1 OF 1	