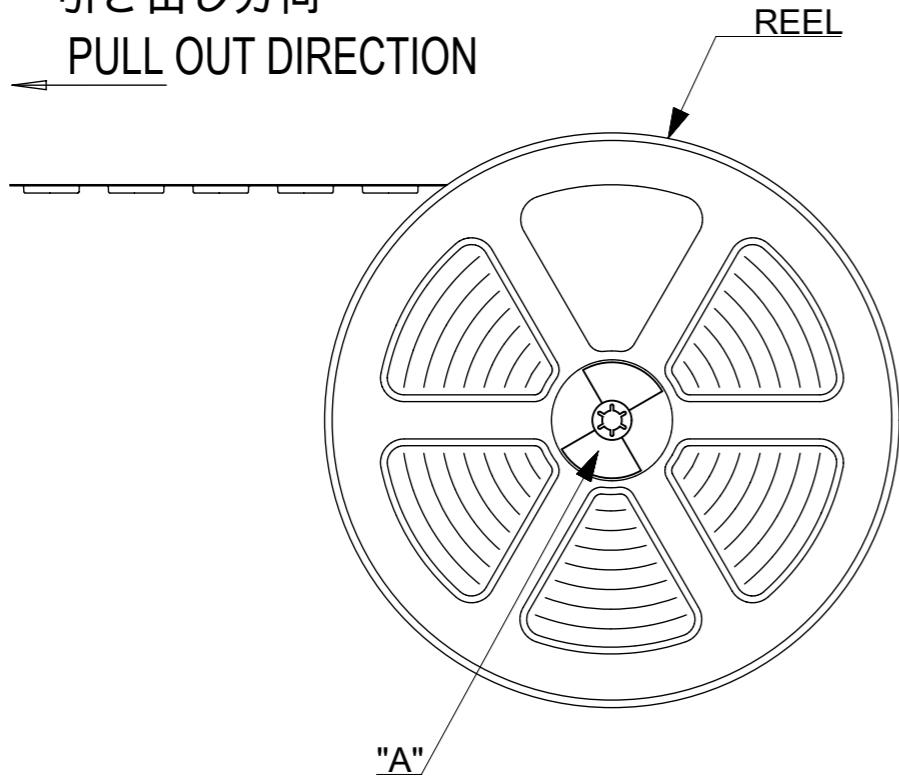
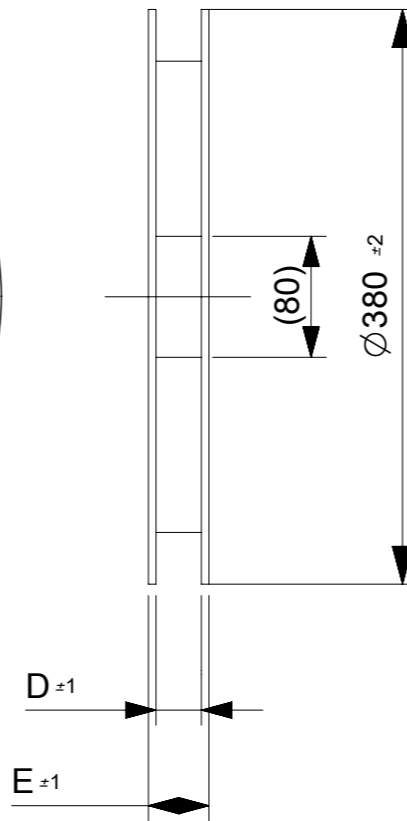


引き出し方向  
PULL OUT DIRECTION



REEL

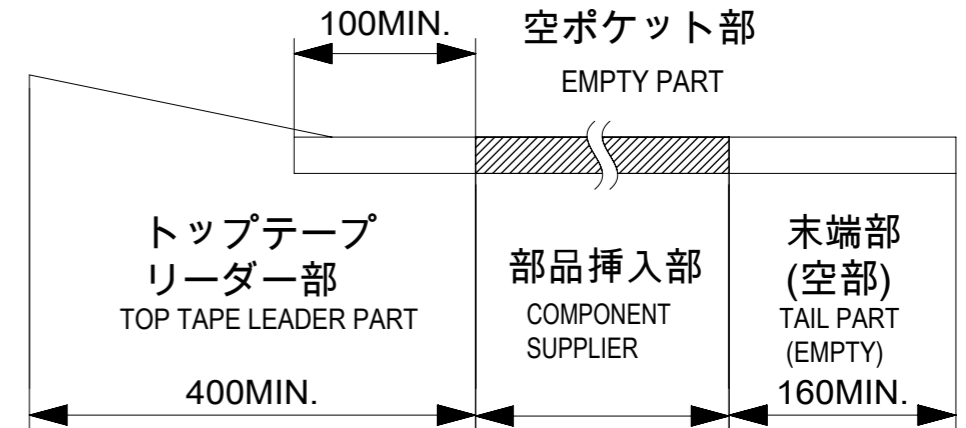
"A"



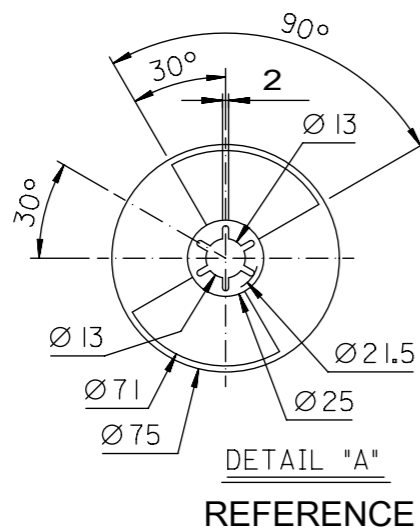
NOTES

- 梱包数量 : 1500個 / リール  
NUMBER OF CONNECTORS : 1500 PCS/REEL.
- リードテープ長さ  
LEAD TAPE LENGTH

引き出し方向  
PULL OUT DIRECTION

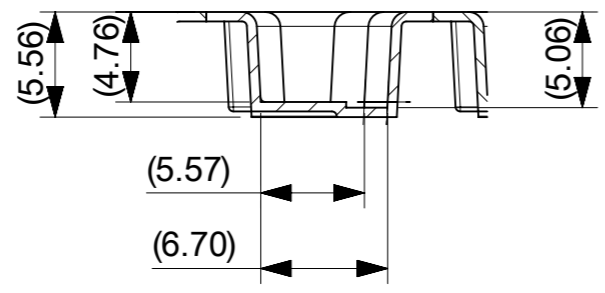
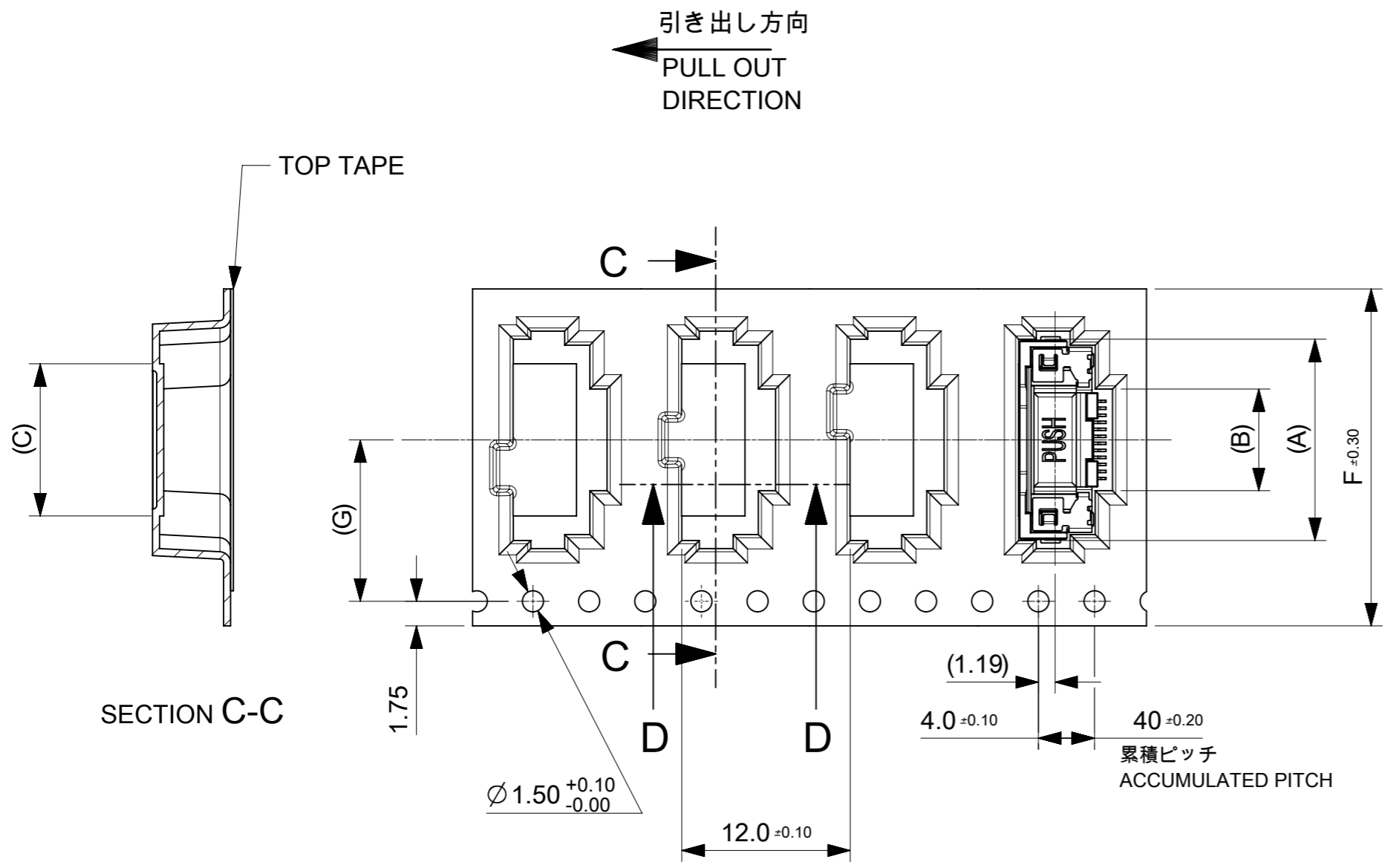


- カバーテープの剥離強度については、IEC60286-3に準拠。  
TOP TAPE PEEL FORCE IS DEFINED BY IEC 60286-3.
- 製品詳細寸法については、図面 2004851600を参照下さい。  
FOR DIMENTIONS OF PRODUCT, REFER TO 2004851600
- 材料 MATERIAL  
キャリアテープ : ポリスチレン  
CARRIER TAPE : POLYSTYRENE  
トップテープ : ポリエチレンテレフタレート、ポリエチレン  
TOP TAPE : POLYETHYLENE TEREHTHALATE, POLYETHYLENE  
リール :ポリスチレン<リサイクル材を含む>  
REEL : POLYSTYRENE RECYCLED MATERIAL CONTAINED
- ELV及びRoHS適合品 ELV AND RoHS COMPLIANT.



DETAIL "A"  
REFERENCE

THIS DRAWING CONTAINS INFORMATION THAT IS PROPRIETARY TO MOLEX ELECTRONIC TECHNOLOGIES, LLC AND SHOULD NOT BE USED WITHOUT WRITTEN PERMISSION		CURRENT REV DESC:		<b>molex</b>		
DIMENSION UNITS	SCALE					
mm	NTS			EMB PKG ONE-TOUCH RA GND		
GENERAL TOLERANCES (UNLESS SPECIFIED)				PRODUCT CUSTOMER DRAWING		
ANGULAR TOL	± 1.0 °			DOCUMENT NUMBER		
4 PLACES	± 0.1	EC NO: 648126		2004850600		
3 PLACES	± 0.1	DRWN: TYAMANE		PSD		
2 PLACES	± 0.1	CHK'D: YMATSUMOTO		000		
1 PLACE	± 0.1	APPR: SHOSHIKAWA		B		
0 PLACES	± 0.1	INITIAL REVISION:		REVISION		
DRAFT WHERE APPLICABLE MUST REMAIN WITHIN DIMENSIONS		THIRD ANGLE PROJECTION	DRAWING	SERIES	MATERIAL NUMBER	CUSTOMER
			A3-SIZE	200485	SEE TABLE	GENERAL
						SHEET NUMBER
						1 OF 3

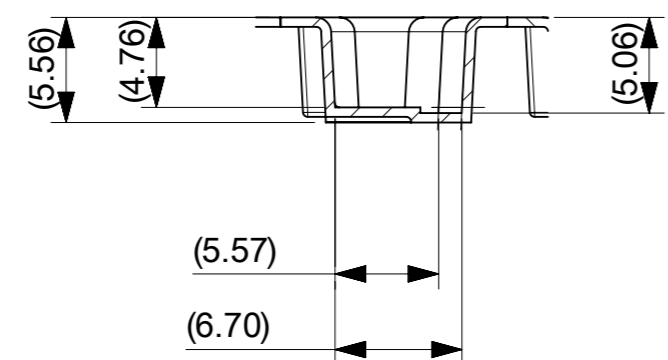
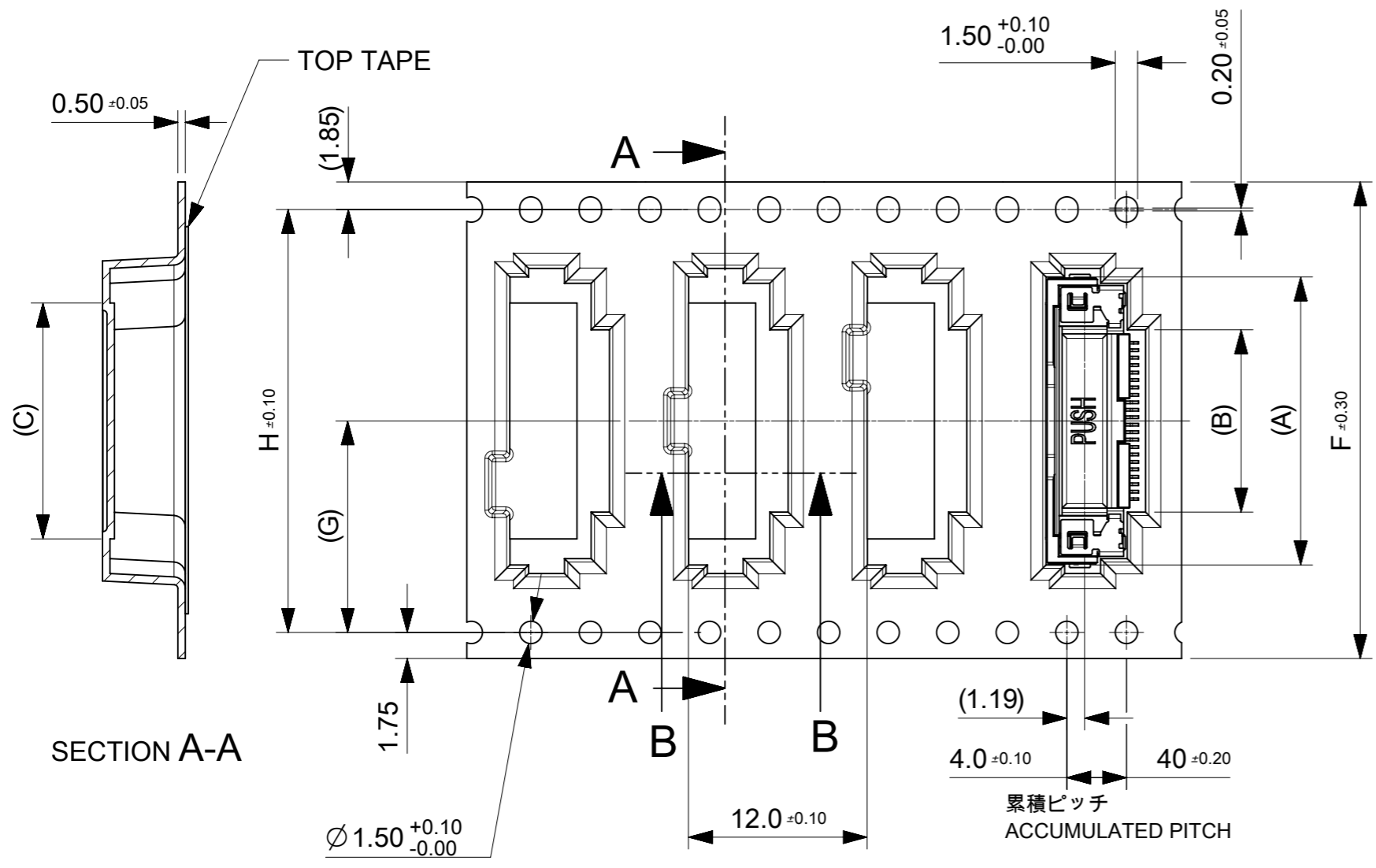


11.5	24	29.4	25.4	10.84	7.04	14.34	2004850610	10
G	F	E	D	C	B	A	EMBOSSED PACKAGE	Ckt
							オーダー番号 ORDER NO.	

THIS DRAWING CONTAINS INFORMATION THAT IS PROPRIETARY TO MOLEX ELECTRONIC TECHNOLOGIES, LLC AND SHOULD NOT BE USED WITHOUT WRITTEN PERMISSION											
DIMENSION UNITS		SCALE		CURRENT REV DESC:						<b>molex</b>	
mm		NTS									
GENERAL TOLERANCES (UNLESS SPECIFIED)				EC NO: 648126						EMB PKG ONE-TOUCH RA GND	
ANGULAR TOL ± 1.0 °				DRWN: TYAMANE 2020/10/15						PRODUCT CUSTOMER DRAWING	
4 PLACES ± 0.1				CHK'D: YMATSUMOTO 2020/10/30						DOCUMENT NUMBER	
3 PLACES ± 0.1				APPR: SHOSHIKAWA 2020/11/02						DOC TYPE	
2 PLACES ± 0.1				INITIAL REVISION:						DOC PART	
1 PLACE ± 0.1				DRWN: TYAMANE 2018/10/03						REVISION	
0 PLACES ± 0.1				APPR: SHOSHIKAWA 2020/06/08						2004850600	
DRAFT WHERE APPLICABLE MUST REMAIN WITHIN DIMENSIONS				THIRD ANGLE PROJECTION		DRAWING		SERIES		MATERIAL NUMBER	
				A3-SIZE		200485		CUSTOMER		SHEET NUMBER	
						SEE TABLE		GENERAL		2 OF 3	

CONNECTOR NO. 20048516\*\*

引き出し方向  
PULL OUT  
DIRECTION

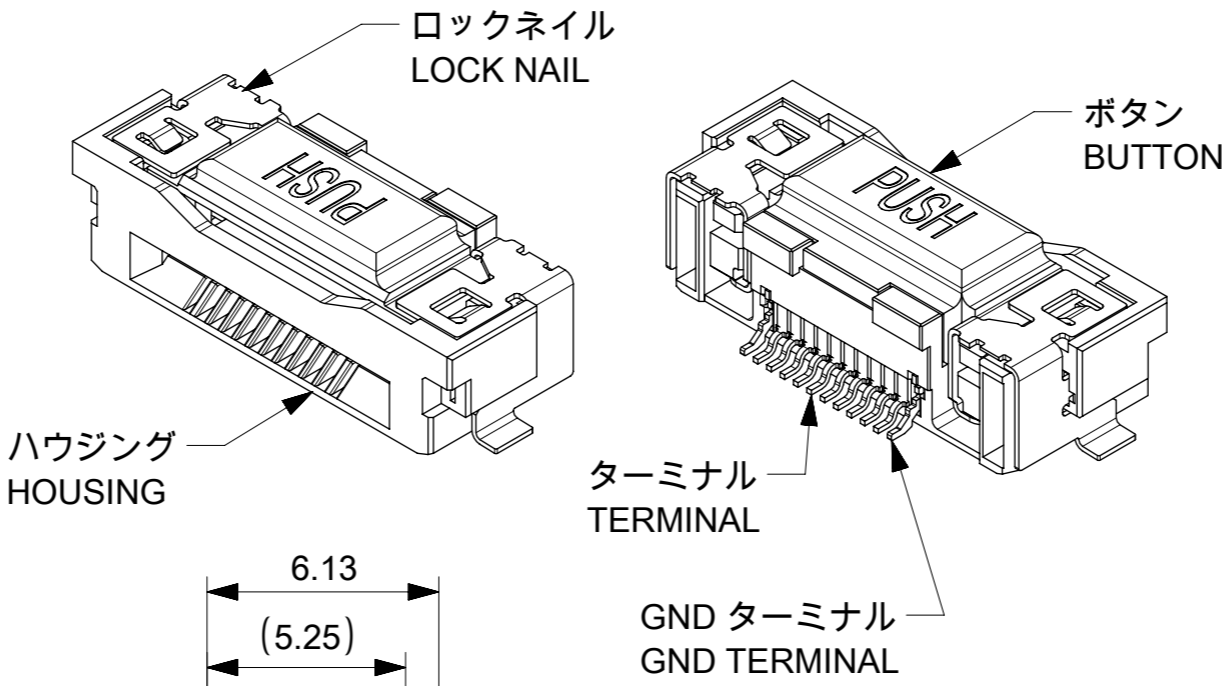
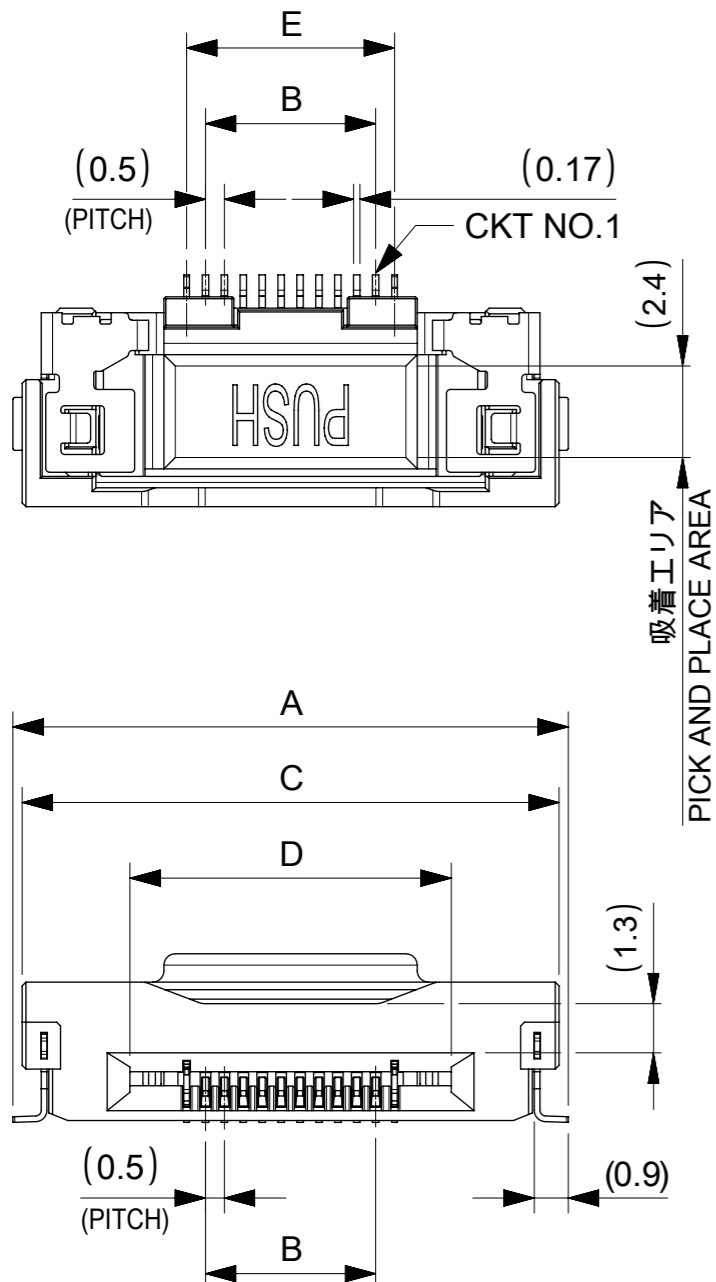


68.4	34.2	72	78.1	73.5	45.84	42.04	49.34	2004850680	80
					40.84	37.04	44.34	2004850670	70
52.4	26.2	56	61.4	75.4	35.84	32.04	39.34	2004850660	60
					31.34	27.54	34.84	2004850651	51
					30.84	27.04	34.34	2004850650	50
40.4	20.2	44	49.4	45.4	25.84	22.04	29.34	2004850640	40
					23.34	19.54	26.84	2004850635	35
					20.84	17.04	24.34	2004850630	30
28.4	14.2	32	37.4	33.4	15.84	12.04	19.34	2004850620	20
H	G	F	E	D	C	B	A	EMBOSSED PACKAGE	Ckt
								オーダー番号 ORDER NO.	

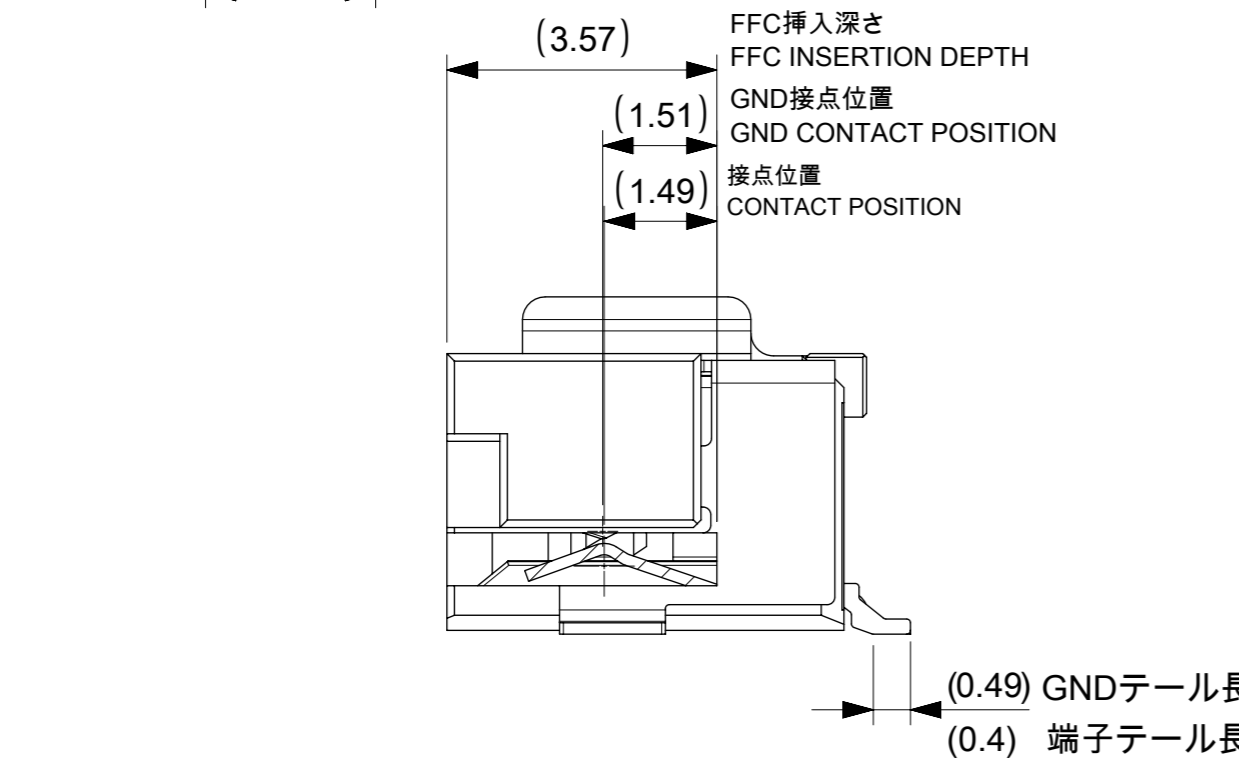
THIS DRAWING CONTAINS INFORMATION THAT IS PROPRIETARY TO MOLEX ELECTRONIC TECHNOLOGIES, LLC AND SHOULD NOT BE USED WITHOUT WRITTEN PERMISSION

DIMENSION UNITS	SCALE	CURRENT REV DESC:		<b>molex</b>	
mm	NTS				
GENERAL TOLERANCES (UNLESS SPECIFIED)				EMB PKG ONE-TOUCH RA GND	
ANGULAR TOL	± 1.0 °			PRODUCT CUSTOMER DRAWING	
4 PLACES	± 0.1	EC NO: 648126	2020/10/15	DOCUMENT NUMBER	DOC TYPE
3 PLACES	± 0.1	DRWN: TYAMANE	2020/10/30	2004850600	PSD
2 PLACES	± 0.1	CHK'D: YMATSUMOTO	2020/11/02	DOC PART	000
1 PLACE	± 0.1	APPR: SHOSHIKAWA		REVISION	B
0 PLACES	± 0.1	INITIAL REVISION:			
DRAFT WHERE APPLICABLE MUST REMAIN WITHIN DIMENSIONS		DRWN: TYAMANE	2018/10/03		
THIRD ANGLE PROJECTION		APPR: SHOSHIKAWA	2020/06/08		
DRAWING		SERIES	MATERIAL NUMBER	CUSTOMER	
A3-SIZE		200485	SEE TABLE	GENERAL	
SHEET NUMBER		3 OF 3			

CONNECTOR NO. 20048516\*\*



NOTES:  
 1.使用材料 MATERIAL  
 ハウジング: 液晶ポリマー, ガラス充填, UL94V-0(黒)  
 HOUSING: LIQUID CRYSTAL POLYMER, GLASS FILLED, UL94V-0(BLACK)  
 ボタン: 液晶ポリマー, ガラス充填, UL94V-0(ナチュラル)  
 BUTTON: LIQUID CRYSTAL POLYMER, GLASS FILLED, UL94V-0(NATURAL)  
 ターミナル: 銅合金(t=0.15)  
 TERMINAL: COPPER ALLOY  
 ロックネイル: 銅合金(t=0.15)  
 LOCK NAIL: COPPER ALLOY  
 GNDターミナル: 銅合金(t=0.15)  
 GND TERMINAL: COPPER ALLOY  
 2.めっき仕様 PLATING  
 ターミナル TERMINAL  
 接点部: 金めっき 0.1μm以上  
 CONTACT AREA: GOLD 0.1 MICROMETER MINIMUM  
 半田付け部: 金めっき  
 SOLDER TAIL AREA: GOLD  
 下地めっき: ニッケル 1.0μm以上  
 UNDERPLATE: NICKEL 1.0 MICROMETER MINIMUM  
 ロックネイル LOCK NAIL  
 錫めっき(1.0μm以上)  
 TIN PLATING (1.0 MICROMETER MIN.)  
 GNDターミナル GND TERMINAL  
 錫めっき(1.0μm以上)  
 TIN PLATING (1.0 MICROMETER MIN.)  
 3.平坦度は0.1ミリ以下とする。  
 COPLANALITY TO BE 0.1 MAXIMUM.



1.323	40.5	43.5	49.2	39.5	49.69	2004850680	80
1.215	35.5	38.5	44.2	34.5	44.69	2004850670	70
1.072	30.5	33.5	39.2	29.5	39.69	2004850660	60
0.957	26	29	34.7	25	35.19	2004850651	51
0.942	25.5	28.5	34.2	24.5	34.69	2004850650	50
0.796	20.5	23.5	29.2	19.5	29.69	2004850640	40
0.702	18	21	26.7	17	27.19	2004850635	35
0.650	15.5	18.5	24.2	14.5	24.69	2004850630	30
0.504	10.5	13.5	19.2	9.5	19.69	2004850620	20
0.358	5.5	8.5	14.2	4.5	14.69	2004850610	10
NET WEIGHT (g)	E	D	C	B	A	EMBOSSED PACKAGE	CIRCUIT
CONNECTOR SERIES NO. 20048516**						ORDER NO.	

THIS DRAWING CONTAINS INFORMATION THAT IS PROPRIETARY TO MOLEX ELECTRONIC TECHNOLOGIES, LLC AND SHOULD NOT BE USED WITHOUT WRITTEN PERMISSION

DIMENSION UNITS	SCALE	CURRENT REV DESC:		<b>molex</b>		
mm	5:1					
GENERAL TOLERANCES (UNLESS SPECIFIED)		EC NO: 753612		0.5FFC CONN. RA ONE TOUCH ASS'Y GND		
ANGULAR TOL ± 1.0°		DRWN: RAJAGN 2023/06/15				
4 PLACES ± 0.1		CHK'D: HSHIMOYAMA 2023/06/16		PRODUCT CUSTOMER DRAWING		
3 PLACES ± 0.1		APPR: YNAITO 2023/06/16				
2 PLACES ± 0.1		INITIAL REVISION:		DOCUMENT NUMBER		
1 PLACE ± 0.1		DRWN: TYAMANE 2018/08/21		2004851600		
0 PLACES ± 0.1		APPR: SHOSHIKAWA 2020/06/08		DOC TYPE DOC PART REVISION		
DRAFT WHERE APPLICABLE MUST REMAIN WITHIN DIMENSIONS		THIRD ANGLE PROJECTION	DRAWING	SERIES	MATERIAL NUMBER	CUSTOMER
			A3-SIZE	200485	SEE TABLE	GENERAL
				SHEET NUMBER	1 OF 2	

