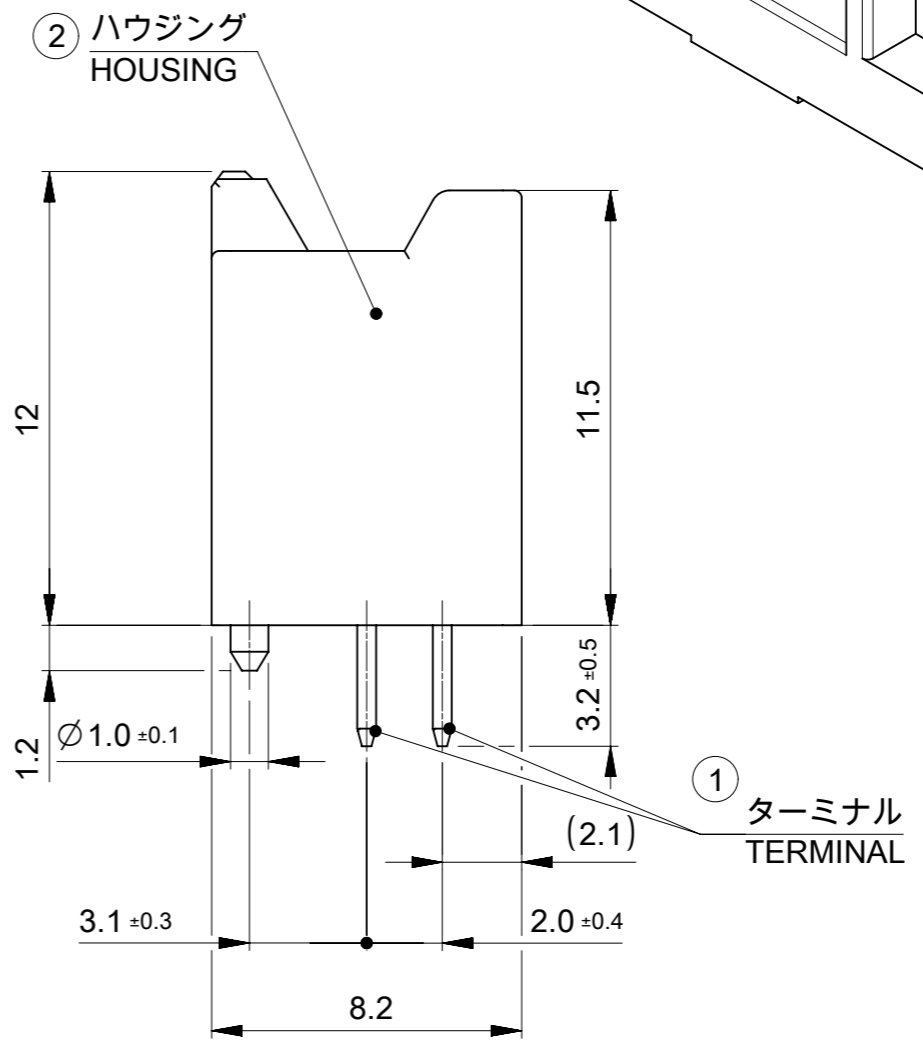
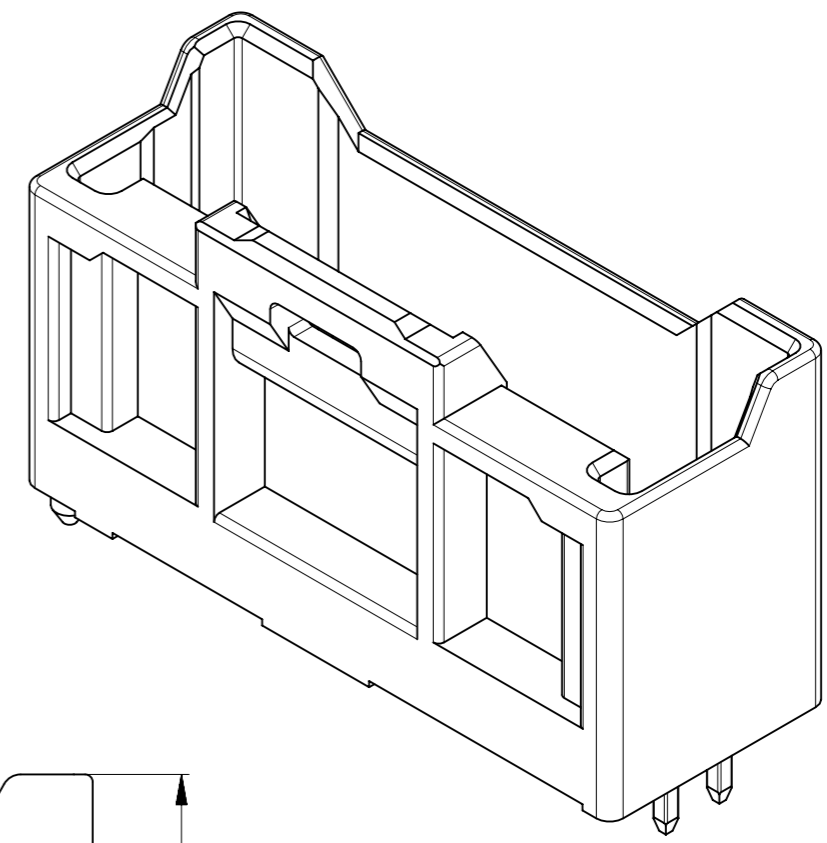




TABLE 1



9.2	38	42	40
9.2	36	40	38
9.2	34	38	36
9.2	32	36	34
9.2	30	34	32
9.2	28	32	30
9.2	26	30	28
9.2	24	28	26
9.2	22	26	24
9.2	20	24	22
9.2	18	22	20
9.2	16	20	18
9.2	14	18	16
9.2	12	16	14
9.2	10	14	12
7.3	8	12	10
C	B	A	極数 CIRCUIT SIZE

番号 No.	部品 PART	材質 MATERIAL		
①	ターミナル TERMINAL	黄銅, BRASS 下地めっき UNDER PLATING 銅めっき 1.0 micro-meter MIN COPPER PLATING 1.0 micro-meter MIN コンタクト CONTACT 無光沢錫めっき(リフロー処理) 1.0 micro-meter MIN MATTE TIN PLATING (REFLOW TREATMENT) 1.0 micro-meter MIN テール SOLDER TAIL		
	ハウジング HOUSING	ポリアミド(PA)ガラス入り, UL94V-0, 色: SEE CHART POLYAMIDE(PA) GLASS FILLED, UL94V-0, COLOR : SEE CHART		
	DOCUMENT STATUS	P1	RELEASE DATE	2023/07/07

THIS DRAWING CONTAINS INFORMATION THAT IS PROPRIETARY TO MOLEX ELECTRONIC TECHNOLOGIES, LLC AND SHOULD NOT BE USED WITHOUT WRITTEN PERMISSION

DIMENSION UNITS	SCALE	CURRENT REV DESC:	<b>molex</b>		
mm	NTS				
GENERAL TOLERANCES (UNLESS SPECIFIED)			IGRID 2.0 PLUG ASSEMBLY VERTICAL TIN PLATING		
ANGULAR TOL ± 3.0 °					
4 PLACES	± 0.2	EC NO: 755147	PRODUCT CUSTOMER DRAWING		
3 PLACES	± 0.2	DRWN: SNAKAMURA08 2023/06/27			
2 PLACES	± 0.2	CHK'D: MARAI 2023/07/07	DOCUMENT NUMBER		
1 PLACE	± 0.2	APPR: AIDA 2023/07/07			
0 PLACES	± 0.2	INITIAL REVISION:	DOC TYPE	DOC PART	REVISION
DRAFT WHERE APPLICABLE MUST REMAIN WITHIN DIMENSIONS			DRWN: SNAKAMURA08 2019/05/09	PSD	000
THIRD ANGLE PROJECTION			SERIES	CUSTOMER	SHEET NUMBER
DRAWING			A3-SIZE	GENERAL	1 OF 3
MATERIAL NUMBER			501645	SEE SHEET 3	

**NOTES.**

1. 材料及び仕上げ(めっき仕様) : TABLE 1 参照  
MATERIAL AND FINISHES : SEE TABLE 1
2. 製品仕様書 : PS-501646-001  
PRODUCT SPECIFICATION:PS-501646-001
3. 嵌合相手:  
MATES WITH:

リセプタクルハウジング RECEPTACLE HOUSING	501646 SERIES	
圧着端子 RECEPTACLE CRIMP TERMINAL	AWG #22-26 錫めっき AWG #22-26 TIN PLATING	501647 SERIES
	AWG #26-28 錫めっき AWG #26-28 TIN PLATING	501648 SERIES

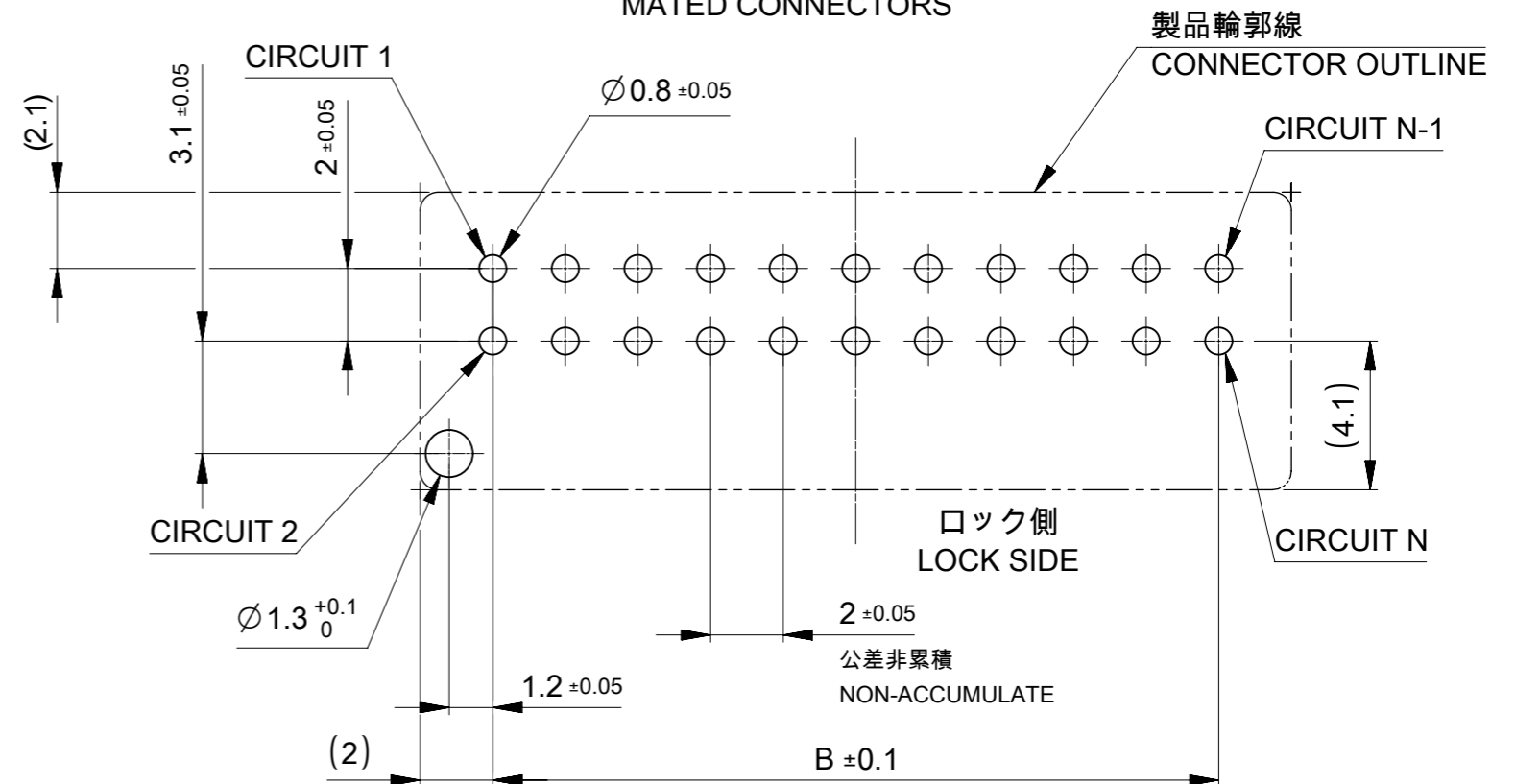
4. アプリケーション仕様書(コネクタ取扱い説明書) : 5016460000 PS A01  
APPLICATION SPECIFICATION(CONNECTOR MANNUAL): 5016460000 PS A01
5. 本製品は錫めっき品です。  
THIS PRODUCT IS A TIN PLATING.
6. 極数/2 = 偶数に適応  
APPLY FOR CIRCUIT SIZE / 2 =EVEN
7. ターミナルに錫めっきを使用している為、外観に摺動痕が付く場合があります。  
THE WOUND OF FRICTION MIGHT ADHERE TO EXTERNALS  
BECAUSE THE TIN PLATING IS USED FOR TERMINAL.
8. 梱包仕様書: SPK-501645-001  
PACKING INFORMATION : SPK-501645-001
9. 発注番号 : SHEET 3 参照  
ORDER No. : PLEASE REFER TO SHEET 3 FOR PRODUCT LIST

501645 \*\*2\*

極数 CIRCUIT SIZE	ハウジングカラー HOUSING COLOR
	0:ナチュラル NATURAL (白 WHITE)
	1:黒 BLACK
	2:赤 RED
	4:青 BLUE
	6:緑 GREEN



嵌合状態図  
MATED CONNECTORS



基板取付穴推奨寸法(マウント面)

POLARIZED RECOMMENDED PCB LAYOUT HOLE DIMENSION (MOUNTING SIDE)

参考基板厚  $t=1.2\sim 1.6$

REFERENCE PCB THICKNESS  $t=1.2\sim 1.6$

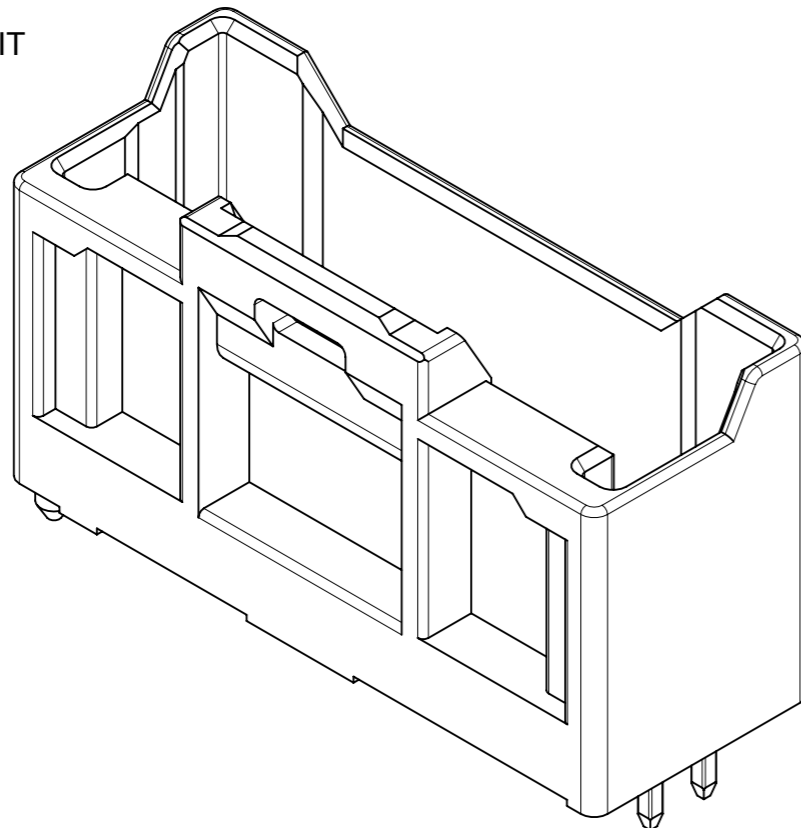
THIS DRAWING CONTAINS INFORMATION THAT IS PROPRIETARY TO MOLEX ELECTRONIC TECHNOLOGIES, LLC AND SHOULD NOT BE USED WITHOUT WRITTEN PERMISSION		CURRENT REV DESC:		<b>molex</b>		
DIMENSION UNITS	SCALE					
mm	NTS			IGRID 2.0 PLUG ASSEMBLY VERTICAL TIN PLATING		
GENERAL TOLERANCES (UNLESS SPECIFIED)				PRODUCT CUSTOMER DRAWING		
ANGULAR TOL	$\pm 3.0^\circ$			DOCUMENT NUMBER		
4 PLACES	$\pm 0.2$	EC NO: 755147		5016450000-SD		
3 PLACES	$\pm 0.2$	DRWN: SNAKAMURA08 2023/06/27		DOC TYPE		
2 PLACES	$\pm 0.2$	CHK'D: MARAI 2023/07/07		PSD		
1 PLACE	$\pm 0.2$	APPR: AIDA 2023/07/07		DOC PART		
0 PLACES	$\pm 0.2$	INITIAL REVISION:		000		
DRAFT WHERE APPLICABLE MUST REMAIN WITHIN DIMENSIONS		THIRD ANGLE PROJECTION	DRAWING	SERIES	MATERIAL NUMBER	CUSTOMER
			A3-SIZE	501645	SEE SHEET 3	GENERAL
						REVISION
						F
						SHEET NUMBER
						2 OF 3

製品形状  
PRODUCT SHAPE

10, 12極  
10, 12CIRCUIT



14 - 40 極  
14 - 40 CIRCUIT



△ 9 製品一覧 PRODUCT LIST

緑: GREEN	青: BULE	赤: RED	黒 : BLACK	ナチュラル : NATURAL (白 : WHITE)	HOUSING COLOR
501645 4026	501645 4024	501645 4022	501645 4021	501645 4020	40
↑ 3826	↑ 3824	↑ 3822	↑ 3821	↑ 3820	38
3626	3624	3622	3621	3620	36
3426	3424	3422	3421	3420	34
3226	3224	3222	3221	3220	32
3026	3024	3022	3021	3020	30
2826	2824	2822	2821	2820	28
2626	2624	2622	2621	2620	26
2426	2424	2422	2421	2420	24
2226	2224	2222	2221	2220	22
2026	2024	2022	2021	2020	20
1826	1824	1822	1821	1820	18
1626	1624	1622	1621	1620	16
↓ 1426	↓ 1424	↓ 1422	↓ 1421	↓ 1420	14
↓ 1226	↓ 1224	↓ 1222	↓ 1221	↓ 1220	12
501645 1026	501645 1024	501645 1022	501645 1021	501645 1020	10
発注番号 ORDER No.					極数
PACKAGING STYLE : TRAY					CIRCUIT SIZE

THIS DRAWING CONTAINS INFORMATION THAT IS PROPRIETARY TO MOLEX ELECTRONIC TECHNOLOGIES, LLC AND SHOULD NOT BE USED WITHOUT WRITTEN PERMISSION

DIMENSION UNITS mm	SCALE NTS	CURRENT REV DESC:		<b>molex</b>		
GENERAL TOLERANCES (UNLESS SPECIFIED)		EC NO: 755147				
ANGULAR TOL ± 3.0 °	4 PLACES ± 0.2	DRWN: SNAKAMURA08 2023/06/27		PRODUCT CUSTOMER DRAWING		
3 PLACES ± 0.2	2 PLACES ± 0.2	CHK'D: MARAI 2023/07/07		DOCUMENT NUMBER		
1 PLACE ± 0.2	0 PLACES ± 0.2	APPR: AIDA 2023/07/07		5016450000-SD		
INITIAL REVISION:		DRWN: SNAKAMURA08 2019/05/09		DOC TYPE	DOC PART	REVISION
DRAFT WHERE APPLICABLE MUST REMAIN WITHIN DIMENSIONS		APPR: KOMURAKAMI 2019/05/24		PSD	000	F
THIRD ANGLE PROJECTION		DRAWING	SERIES	CUSTOMER		SHEET NUMBER
A3-SIZE		501645	SEE CHART	GENERAL		3 OF 3