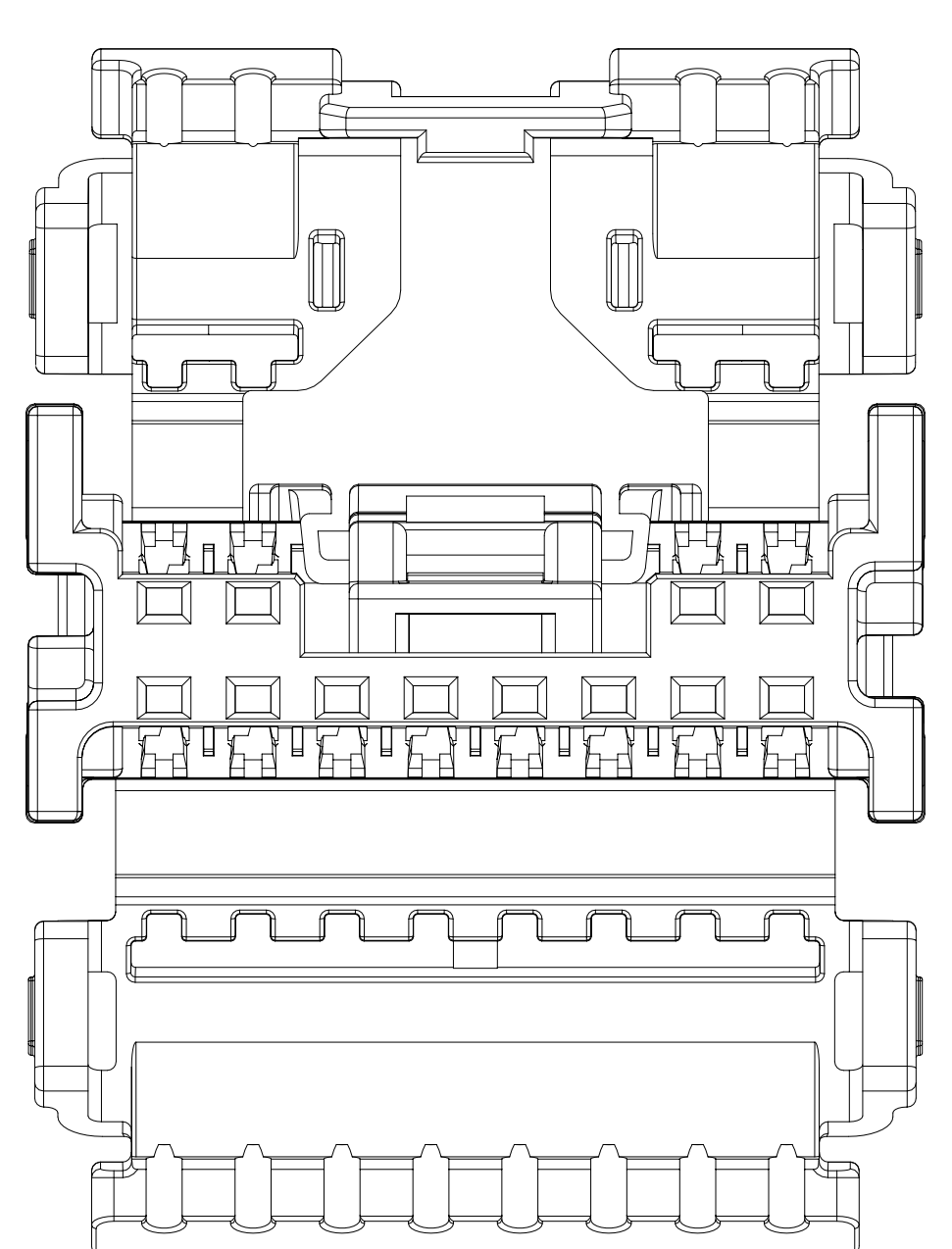
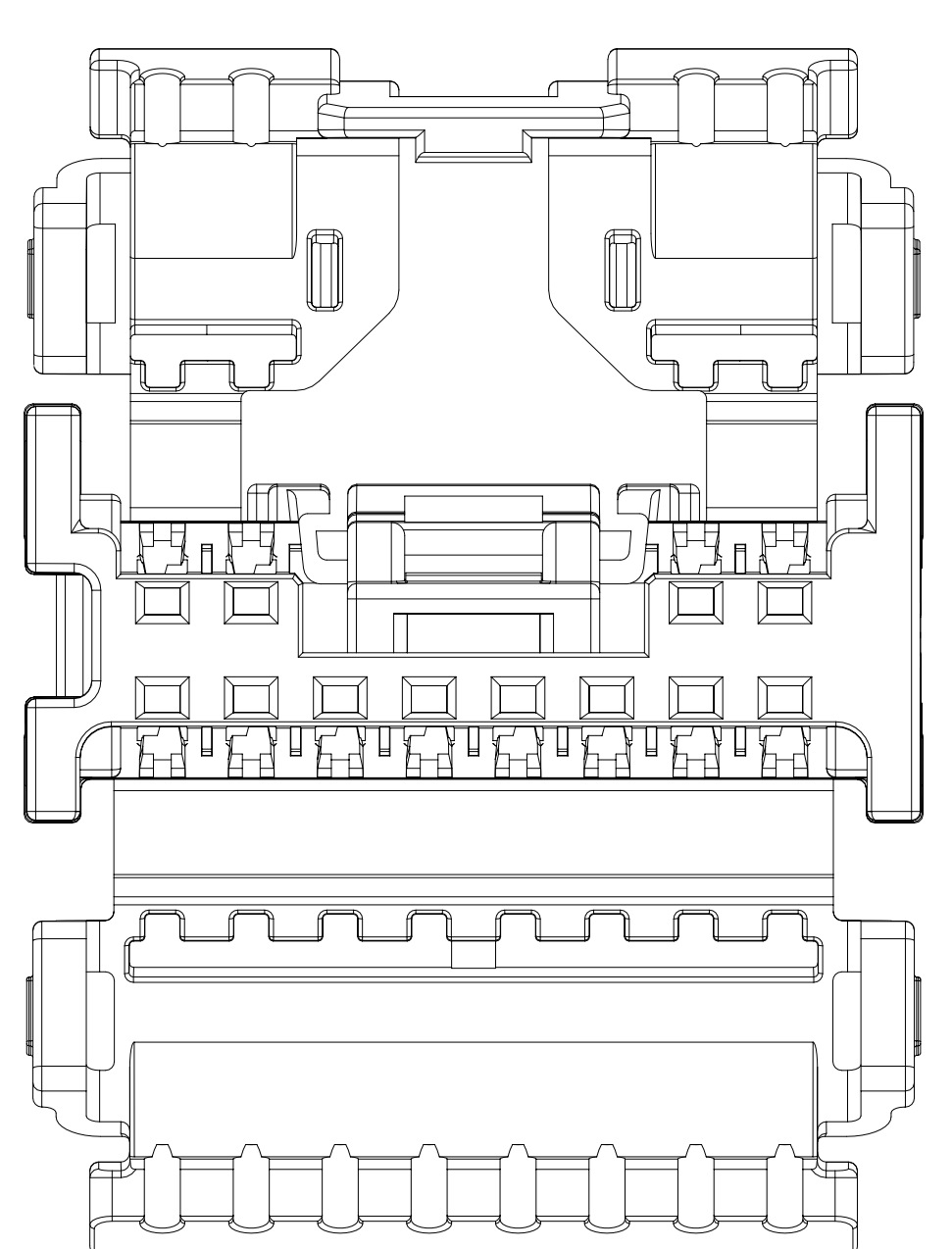


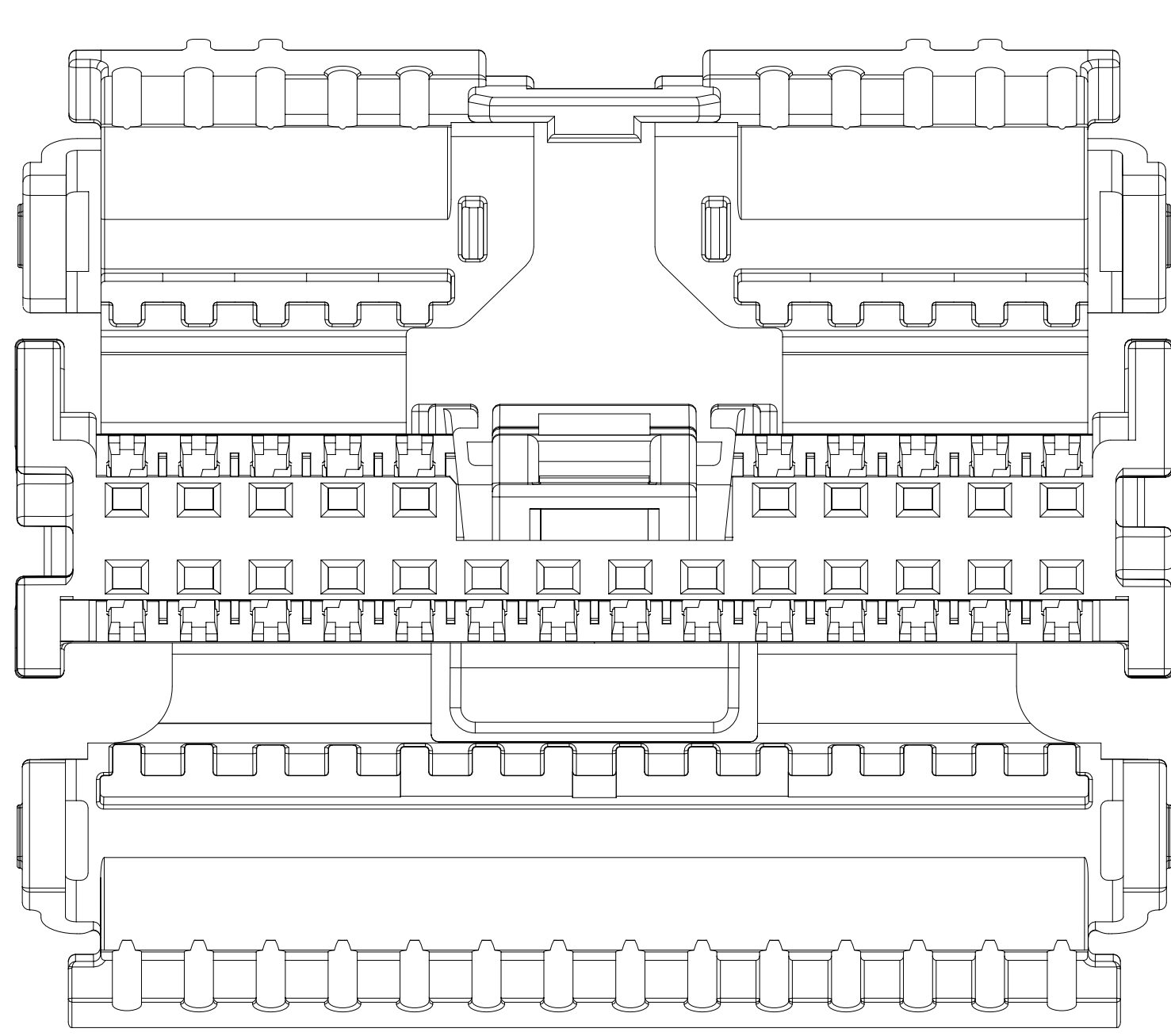
12 CIRCUIT POLARIZATION A



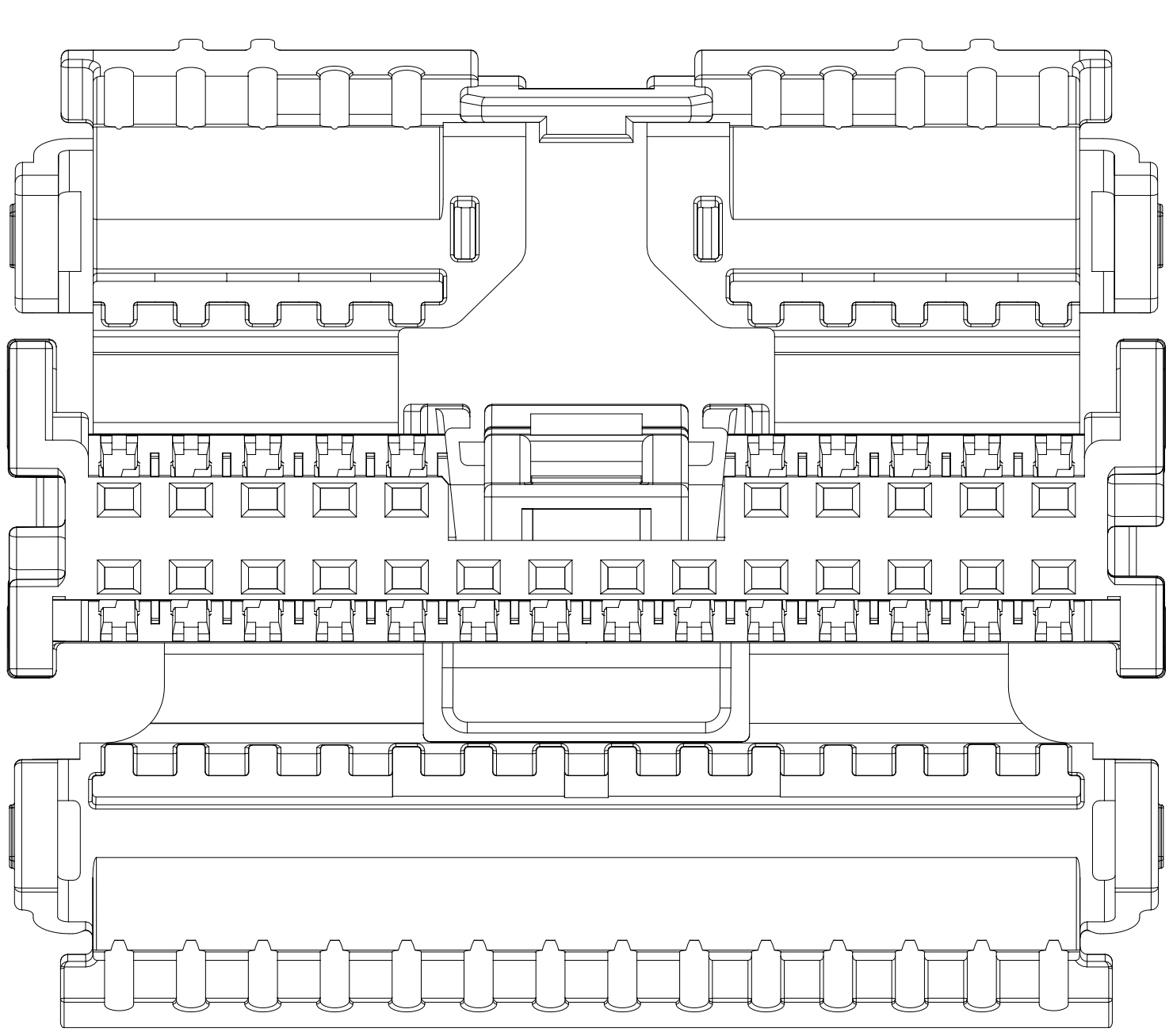
12 CIRCUIT POLARIZATION B



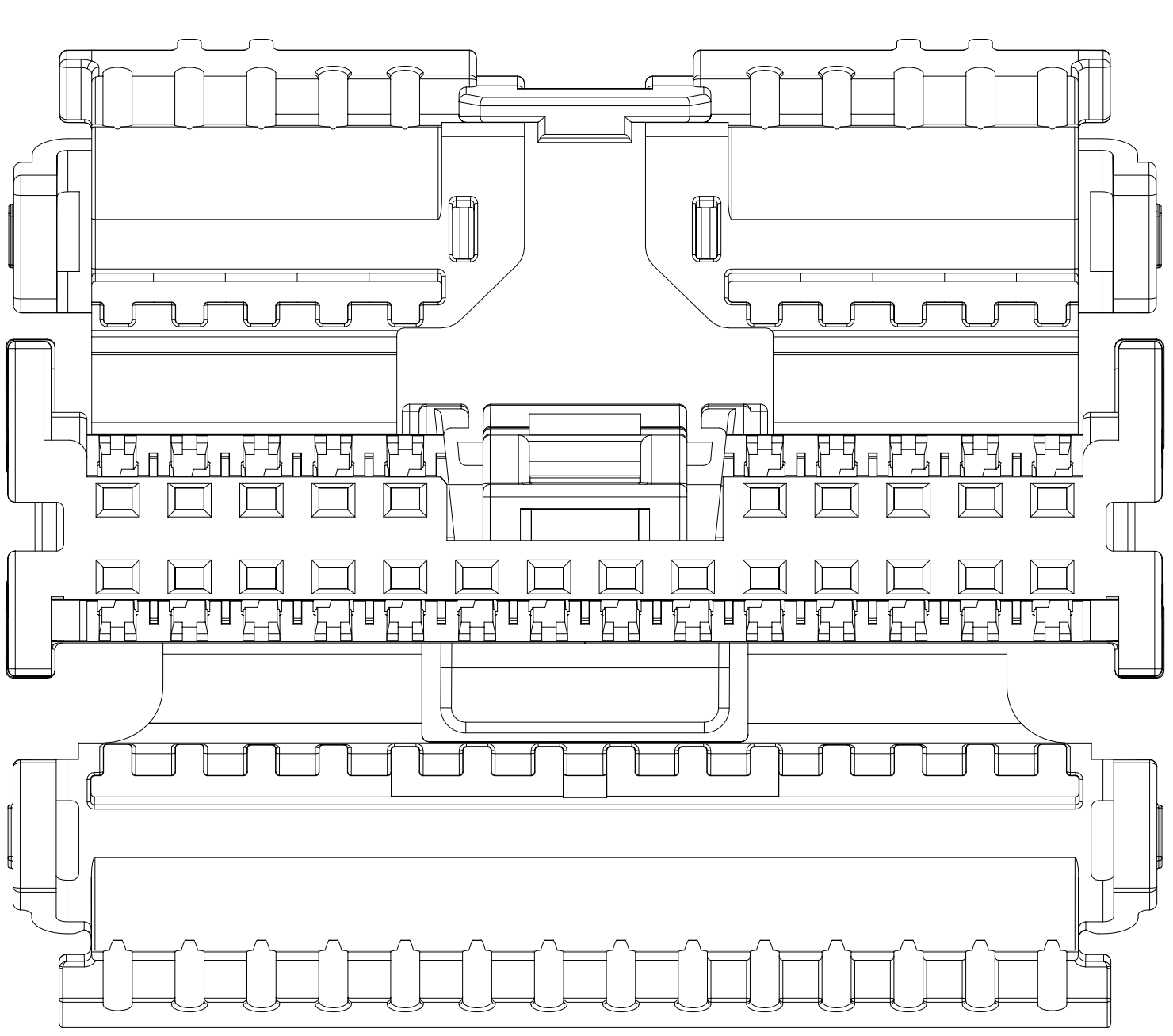
12 CIRCUIT POLARIZATION C



24 CIRCUIT POLARIZATION A



24 CIRCUIT POLARIZATION B

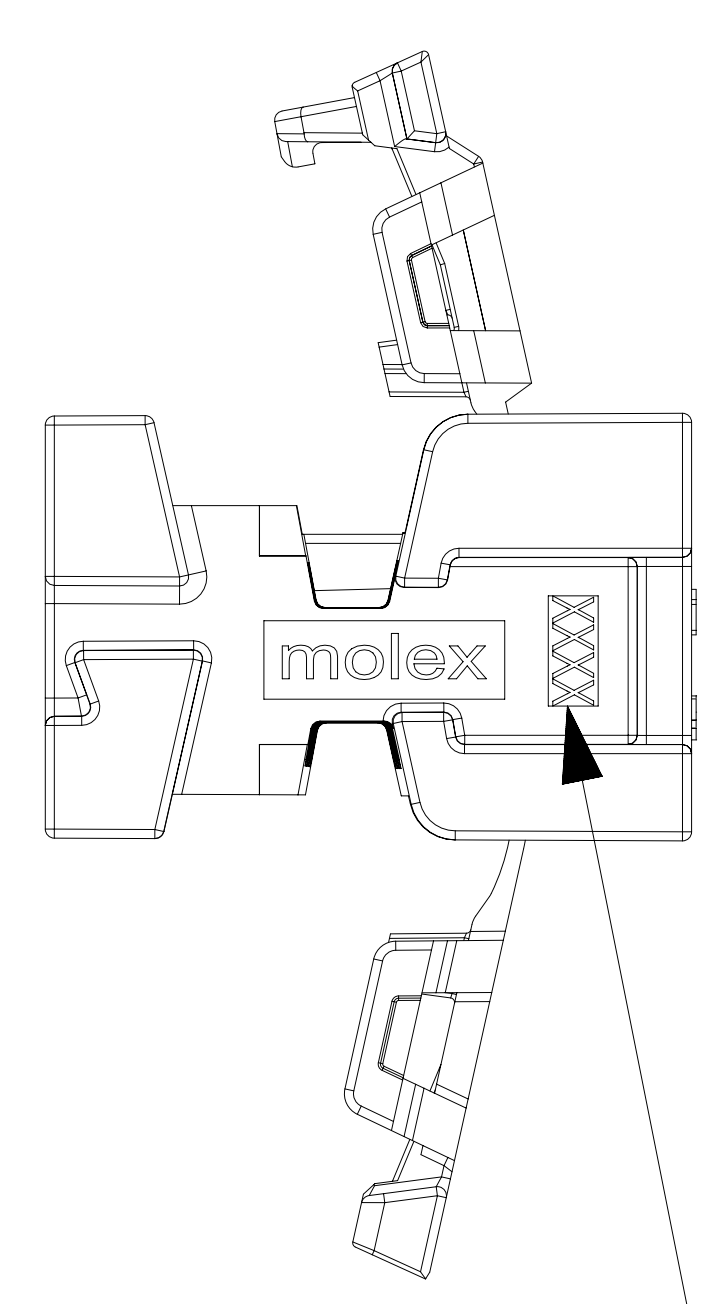


24 CIRCUIT POLARIZATION C

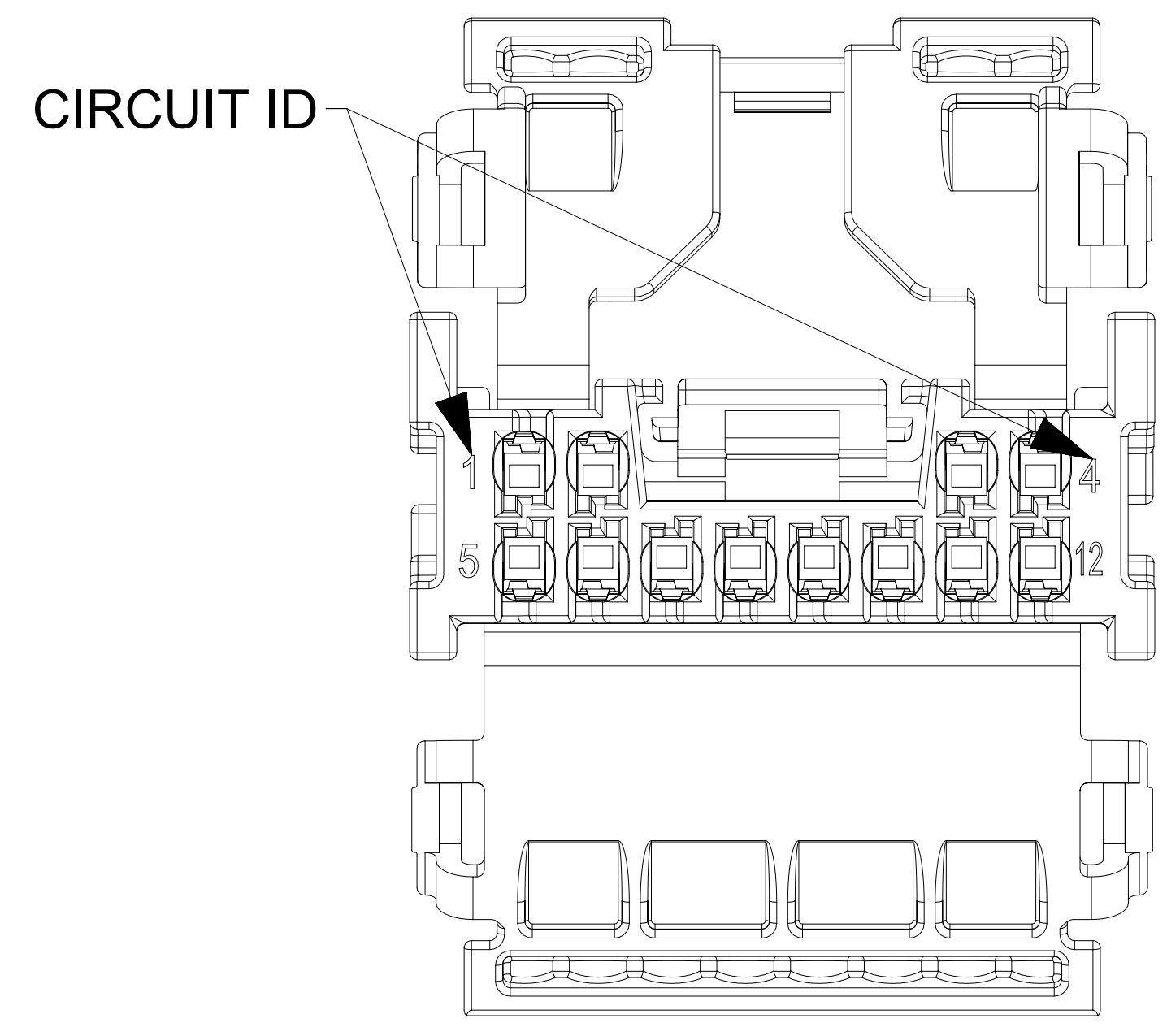
1. GENERAL:
  - a. APPLICATION SPECIFICATION SEE: AS-34791-020
  - b. PRODUCT SPECIFICATION SEE: PS-34791-020
  - c. PACKAGING SPECIFICATION PER MOLEX DRAWING: SEE CHART
  - d. PARTS MUST BE IN COMPLIANCE TO MOLEX CHEMICAL SUBSTANCES FOR PRODUCTS AND PACKAGING SPECIFICATION: QEHS-699000-301
  - e. DATA MUST BE SUBMITTED UNDER THE MOLEX PART NUMBER TO IMDS (COMPANY ID#13255)
  - f. FLAMMABILITY REQUIREMENT: PER ISO3795 OR GM3191
    1. BURN RATE 100 mm/MIN MAXIMUM
    2. MATERIAL MUST BE SELF EXTINGUISHING
  - g. VISUAL DEFECTS SHALL MEET COSMETIC STANDARD PS-45499-002 (Class B)
  - h. FOR TERMINAL USAGE, REFER TO MOLEX SALES DRAWING SD-560023-002 (PLAN OBSOLESCENCE IN 2024) AND 5600230800.
  - j. 16-24CKT PBT PARTS PLANNED FOR OBSOLESCENCE FEB 2021 ECOPAXX VERSIONS WILL SERVE AS REPLACEMENT

2. DESIGN - MATERIALS: SEE P/N TABLE

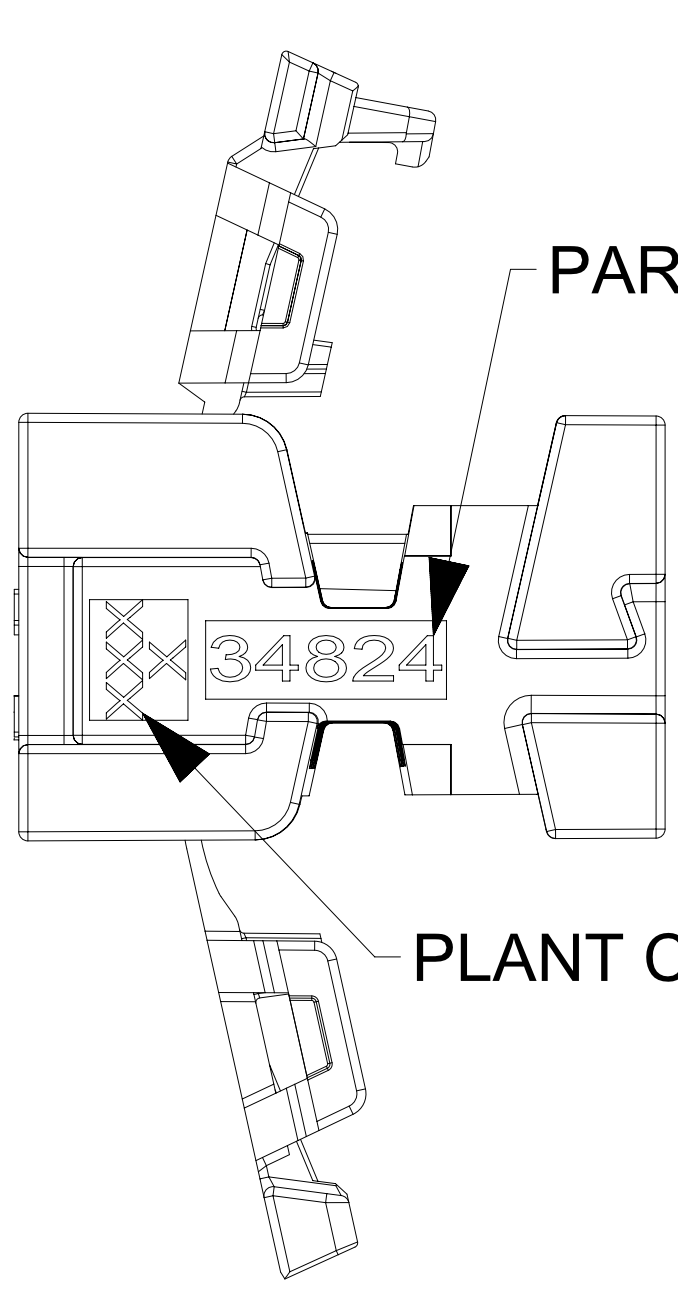
3. DESIGN - GEOMETRY:
  - a. THIS IS A 100% CAD GENERATED PART. THE CAD MATHEMATICAL DATA IS THE MASTER FOR THIS PART. FOR DIMENSIONAL OR ANY INFORMATION NOT SHOWN ON THIS DRAWING, ANALYZE THE CAD MODEL.
  - b. GEOMETRIC DIMENSIONS AND TOLERANCES PER ASME Y14.5M - 2009
  - c. GENERAL TOLERANCES:
    - LINEAR: PER DIN 16901 CODE B FOR PRECISION ENGINEERING (SEE TABLE)
    - ANGULAR:  $\pm 3^\circ$
  - d. EDGES AND UNDIMENSIONED DETAILS PER ISO13715
  - e. CORNERS SHOWN AS SHARP TO BE R 0.2 MAX
  - f. LETTERING SHALL BE 0.1 MAX RAISED IN 0.15 MAX RECESS PAD AND NOT PROTRUDE THE SURFACE. THIS INCLUDES RECYCLING CODE, PLANT AND CAVITY ID, VENDOR ID, CIRCUIT ID, AND PART SERIES NUMBER.
  - g. DIMENSION APPLIES ONLY TO RECEPTACLES WITH LOCK BRIDGE OPTION.
  - h. DIM 9 & 12 TOLERANCE  $+0.30/-0.15$  FOR ALL PA410 RECEPTACLES 16-24CKT.



RECYCLING CODE  
SEE BOM ON SHEET 3 FOR MATERIAL IDENTIFIER

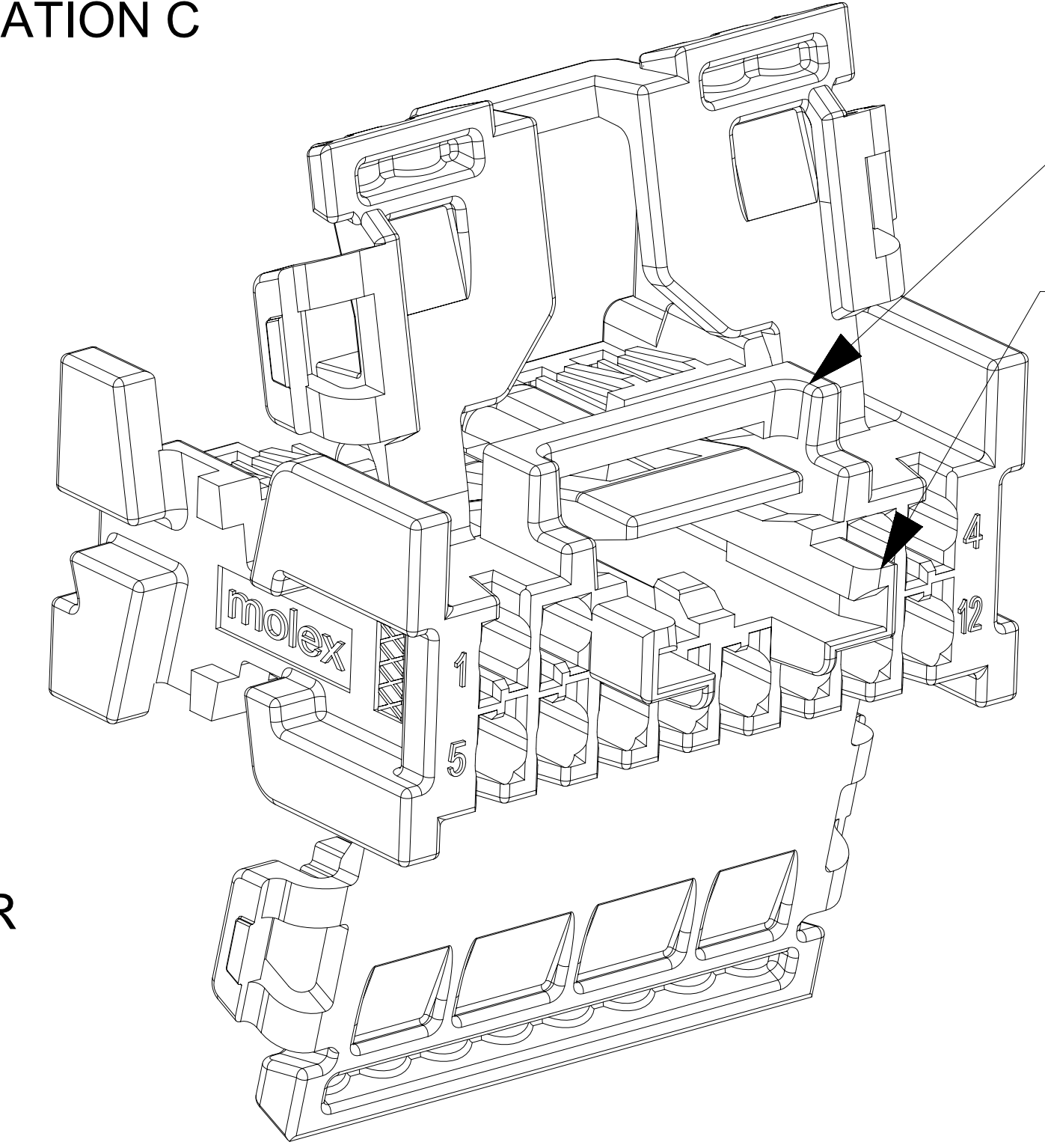


CIRCUIT ID



PART SERIES NUMBER

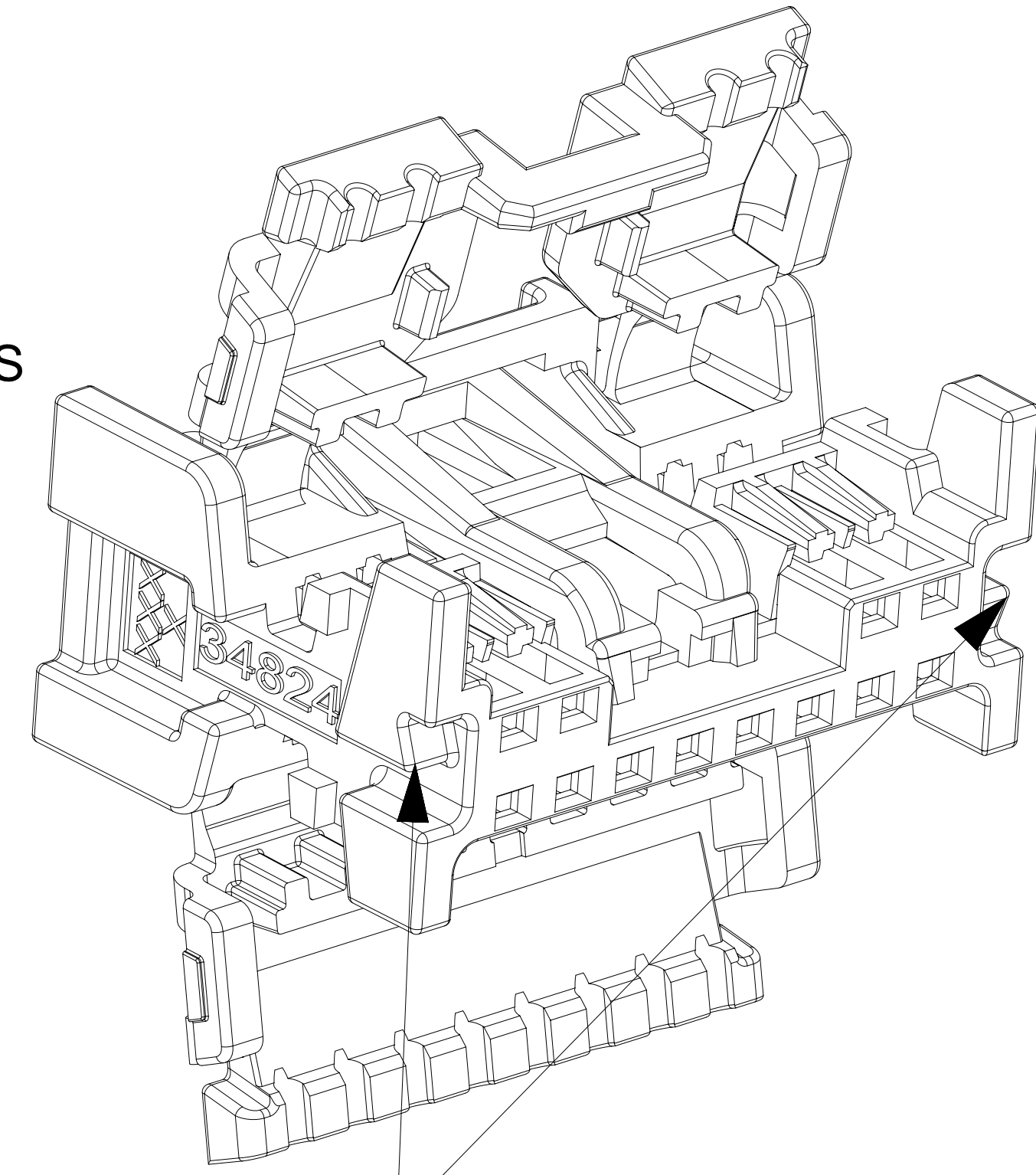
PLANT CODE & CAVITY ID



BRIDGED OPTION

CPA TRAY WITH BRIDGED OPTIONS

SCALE 7:1



POLARIZATION FEATURES

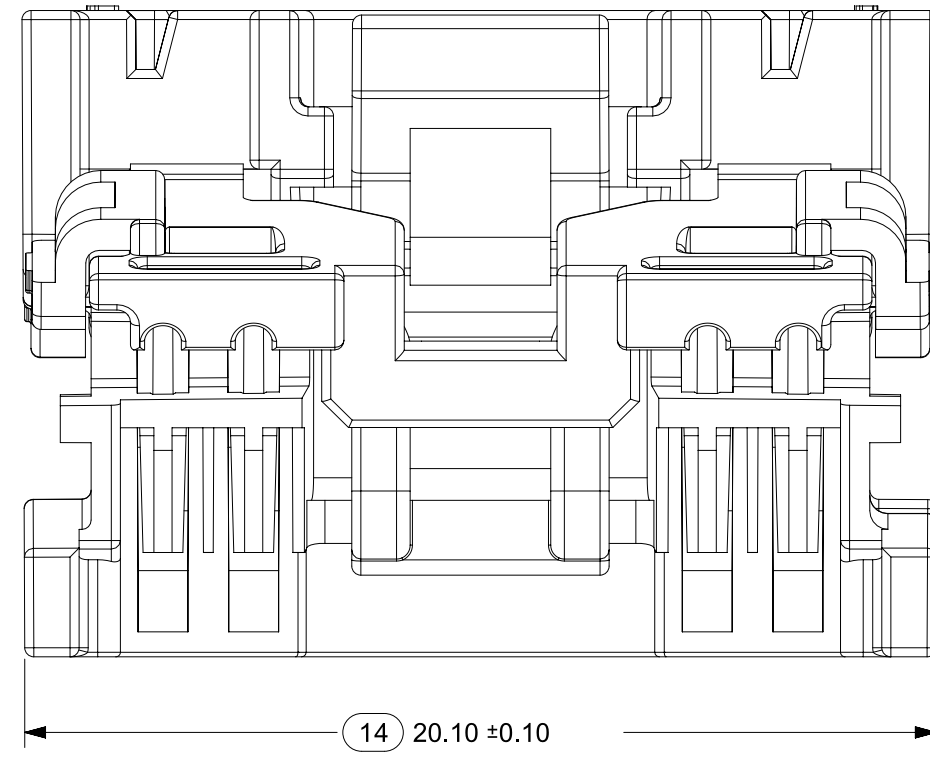
SCALE 7:1

|                              |  |
|------------------------------|--|
| INSPECTION BALLOON LOG       |  |
| PER DRAWING REVISION: L9     |  |
| LAST BALLOON USED: 17        |  |
| ADDED BALLOON NUMBERS:       |  |
| REMOVED BALLOON NUMBERS: 1-7 |  |

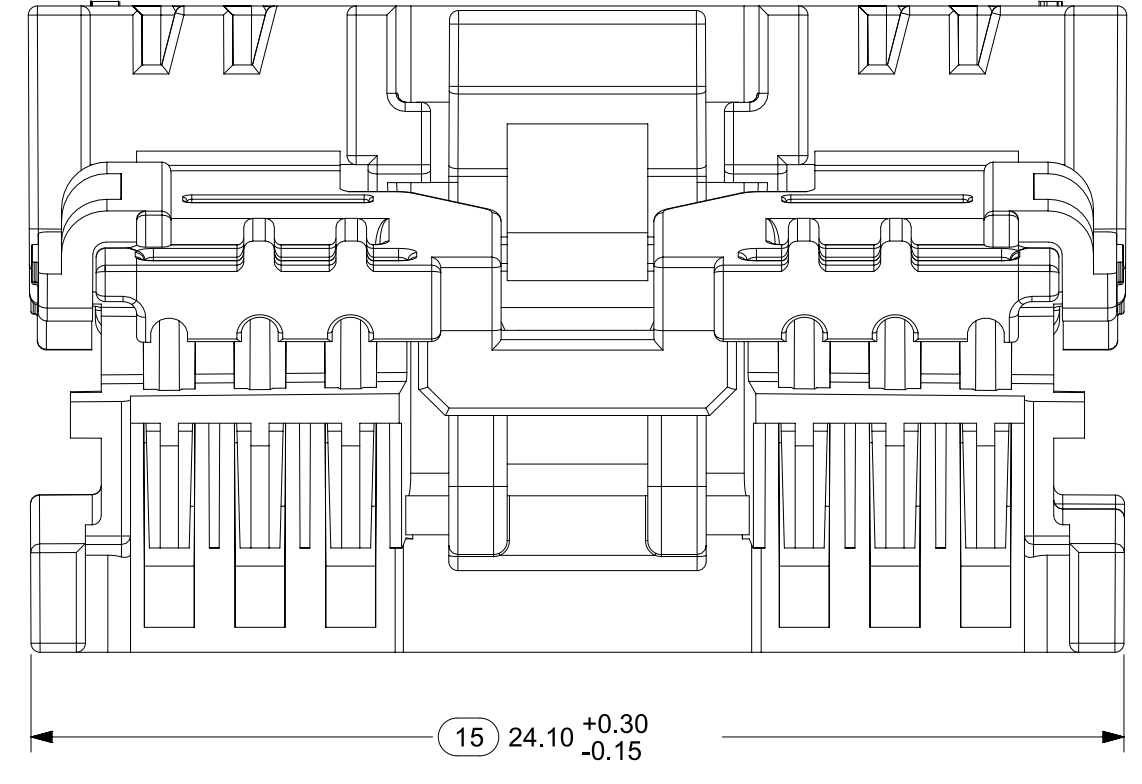
|     |  |
|-----|--|
| L9  | ADDED TERMINAL SD-DRAWING 5600230800 AT NOTES 1-H ON SHEET 1                     |
| L8  | CHANGED RECYCLING CODE TO "XXXX" WAS "PBT"                                       |
| L7  | OBSOLETE PART NUMBERS 348241200/01/02/40/41/42, 348241160/01/02, 348240160/01/02 |
| L6  | DRAWING REMASTERED   |
| L5  | PAGE 1: ADDED NOTE 1)  |
| L4  | PAGE 3: ADDED NOTE SYMBOL TO BOM   |
| L3  | VERTICAL PITCH DIMENSION ADDED   |
| L2  | UPDATED PIN TABLE TO SHOW MATERIAL   |
| L1  |  |
| REV | DESCRIPTION  |

|  |                    |   |  |                    |  |                |  |
|--|--------------------|---|--|--------------------|--|----------------|--|
| FUNCTIONAL SYMBOLS                                   |                    | THIS DRAWING CONTAINS INFORMATION THAT IS PROPRIETARY TO MOLEX ELECTRONIC TECHNOLOGIES, LLC AND SHOULD NOT BE USED WITHOUT WRITTEN PERMISSION |  | CURRENT REV DESC:  |  |                |  |
| MM   | 6:1                | GENERAL TOLERANCES (UNLESS SPECIFIED)   |  | STATUS: Production |  |                |  |
| ANGULAR TOL  | $\pm 0.5^\circ$    | 4 PLACES $\pm$  |  | DRWN: Yann Chen    |  | 2023-10-20     |  |
| DIVISIONAL SYMBOLS                                   | 3 PLACES $\pm$     | 2 PLACES $\pm 0.100$  |  | CHK'D: Gang Li     |  | 2023-10-25     |  |
|  | 1 PLACE $\pm 0.20$ | 0 PLACES $\pm$  |  | APPR: Colin Zhang  |  | 2023-10-30     |  |
| DRAFT WHERE APPLICABLE MUST REMAIN WITHIN DIMENSIONS |                    | THIRD ANGLE PROJECTION  |  | DRAWING            |  | SERIES         |  |
|  |                    |   |  | E-SIZE             |  | 34824          |  |
|  |                    |   |  | MATERIAL NUMBER    |  | CUSTOMER       |  |
|  |                    |   |  | SD-34824-002       |  | GENERAL MARKET |  |
|  |                    |   |  | DOCUMENT NUMBER    |  | REVISION       |  |
|  |                    |   |  | PSD 001            |  | L9             |  |
|  |                    |   |  | SHEET NUMBER       |  | 1 OF 3         |  |

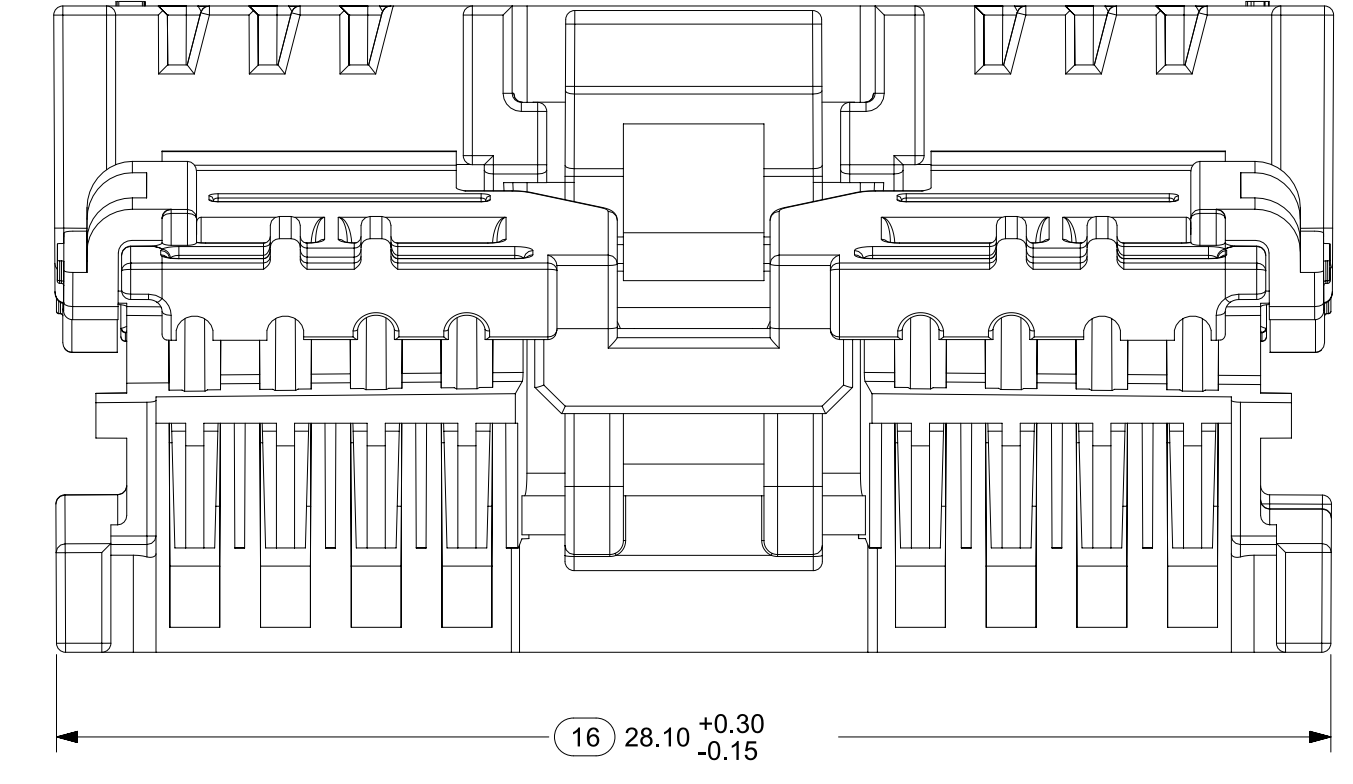
# 12 CIRCUIT



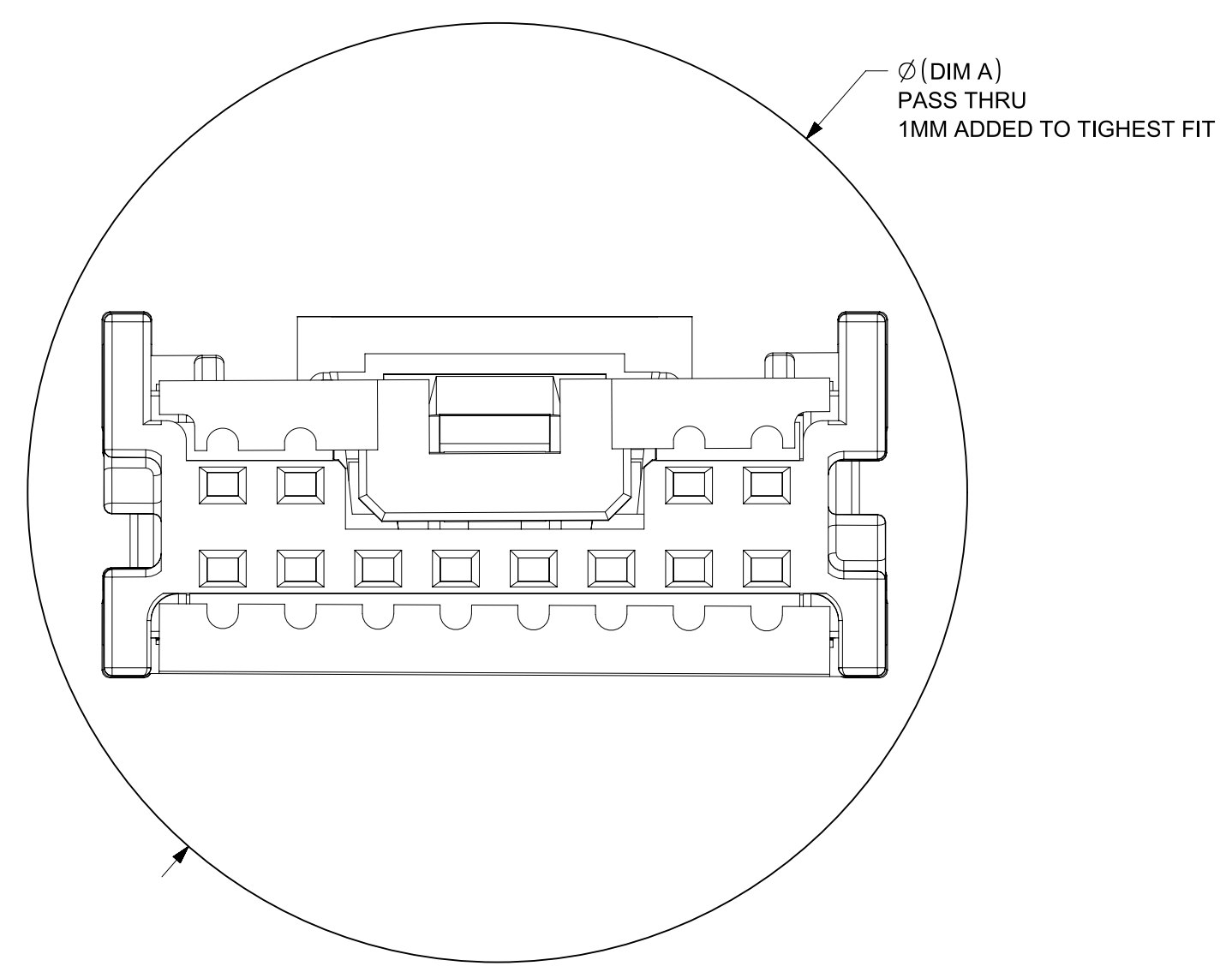
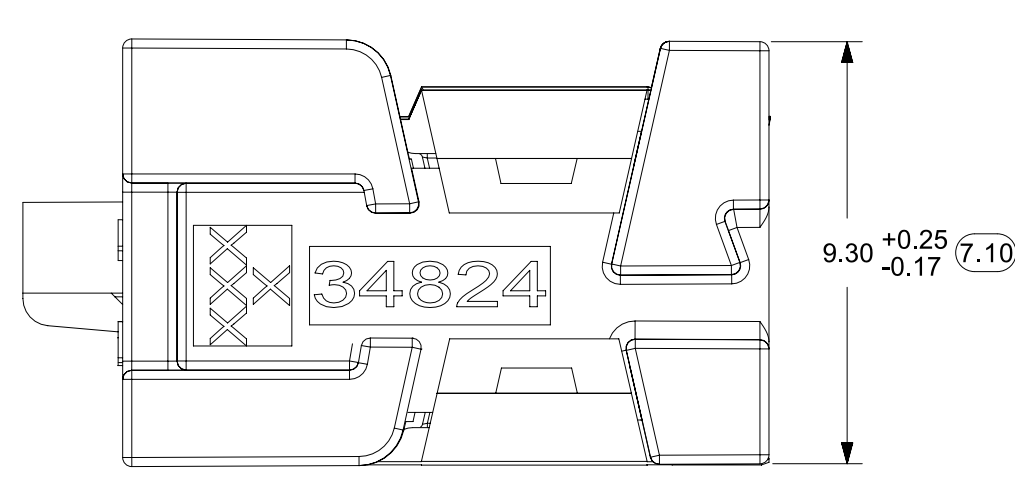
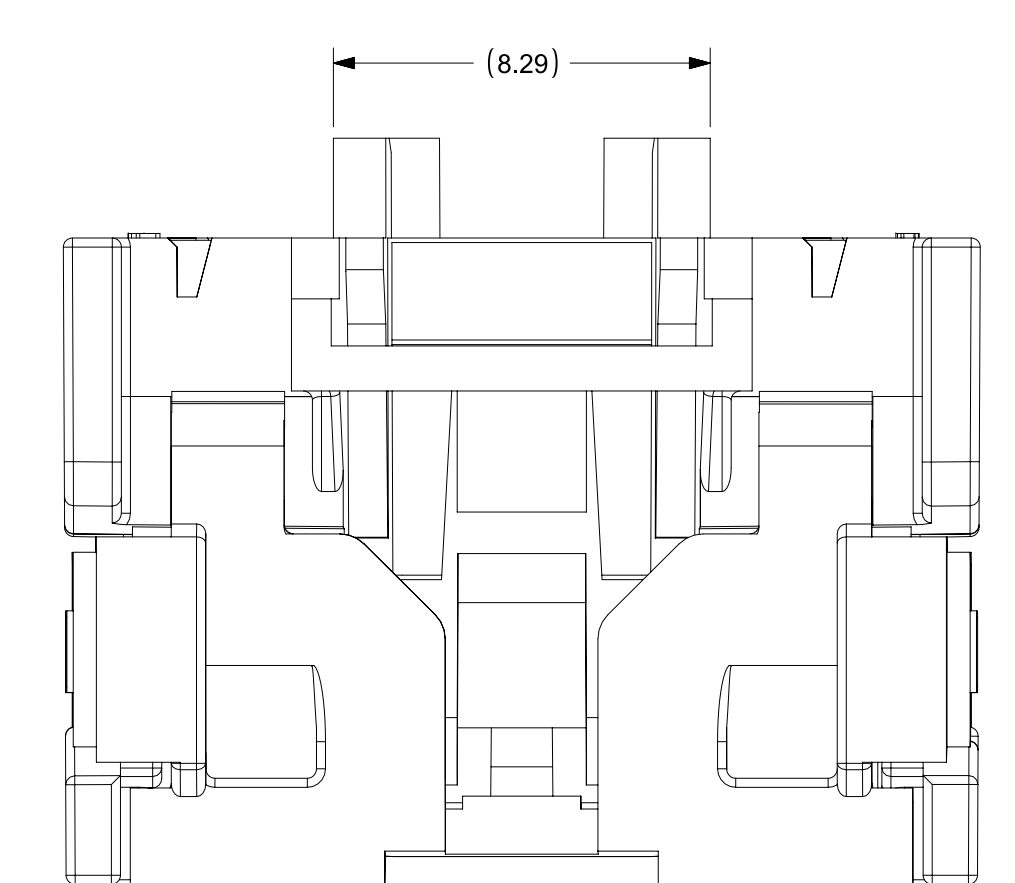
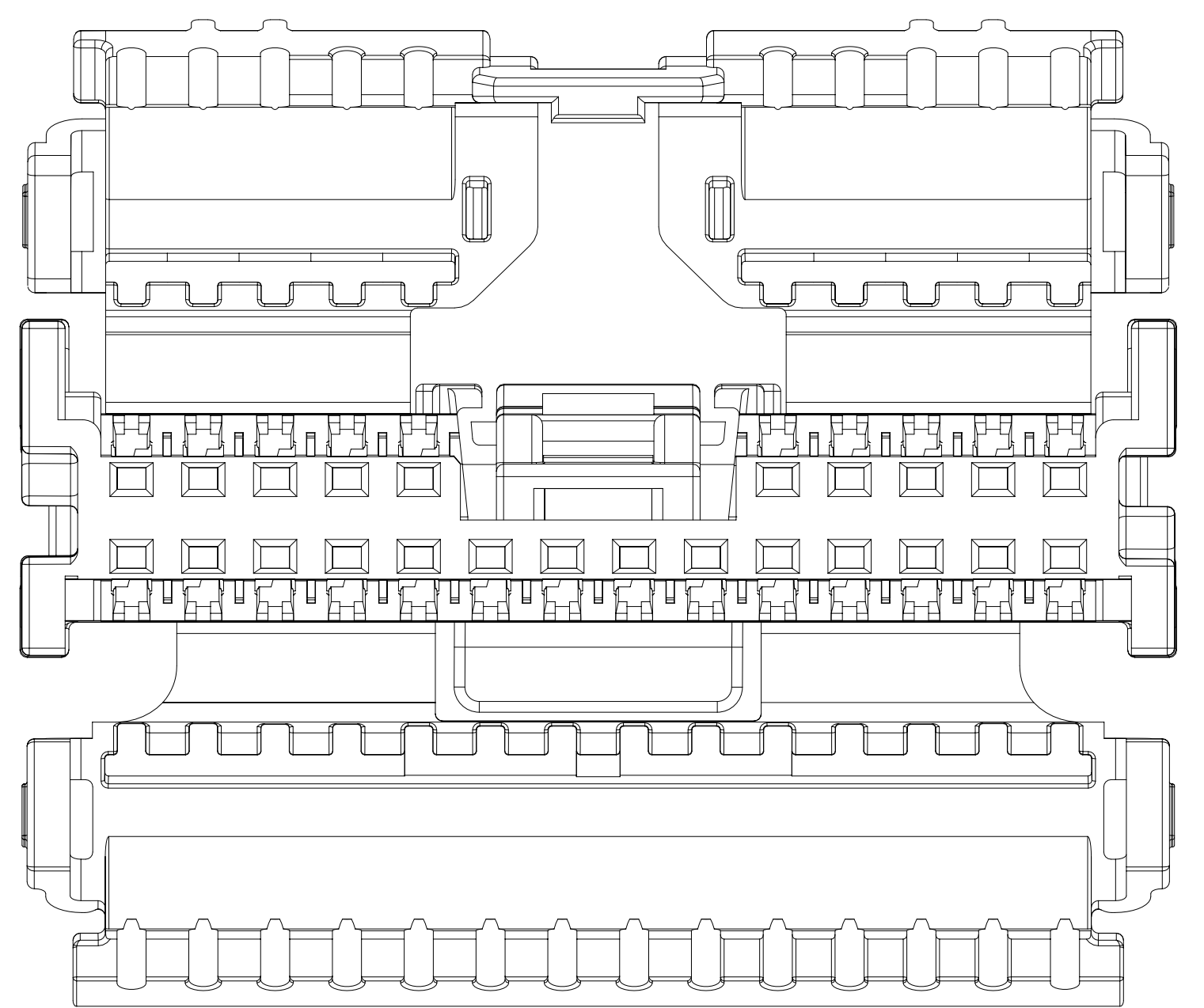
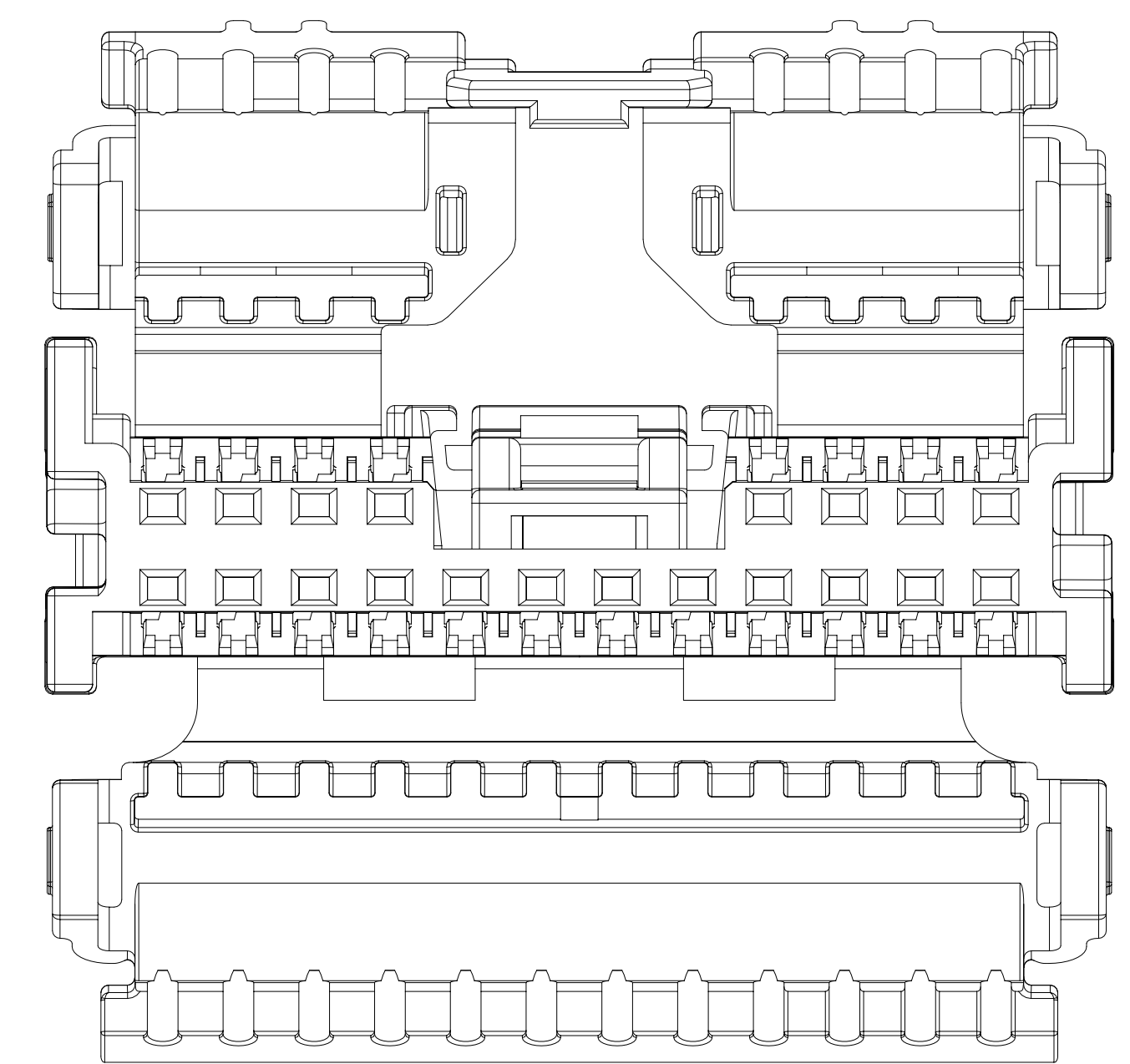
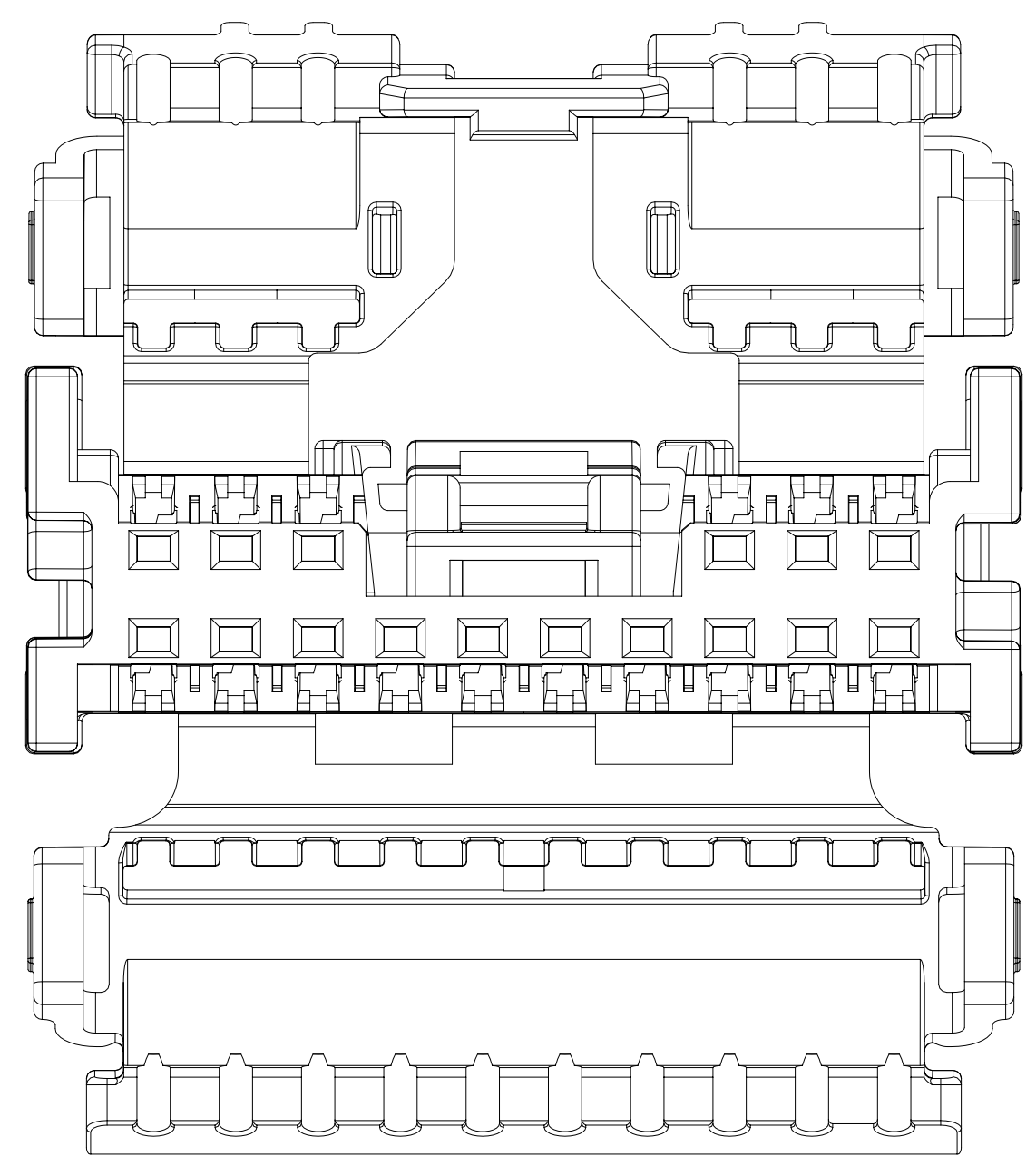
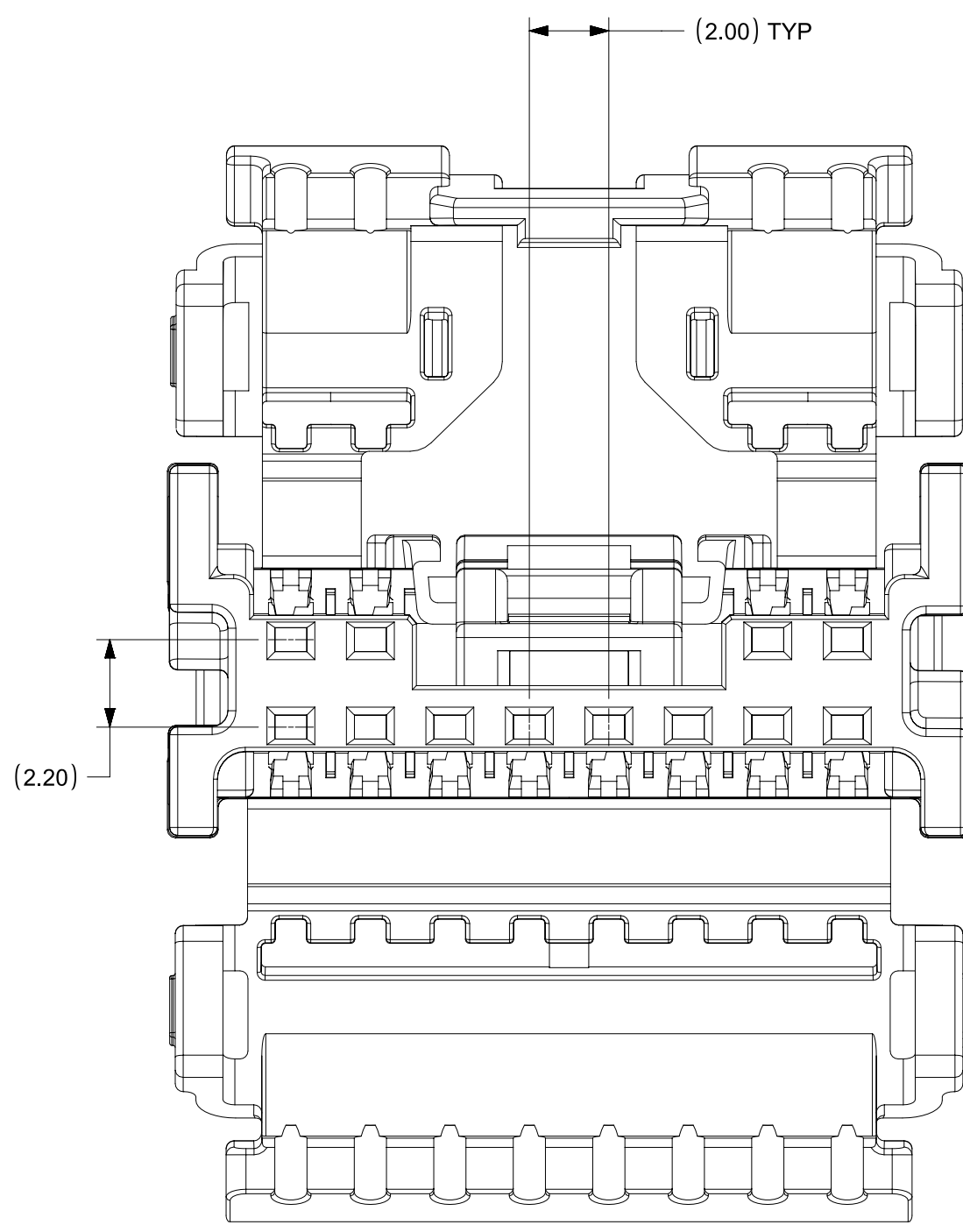
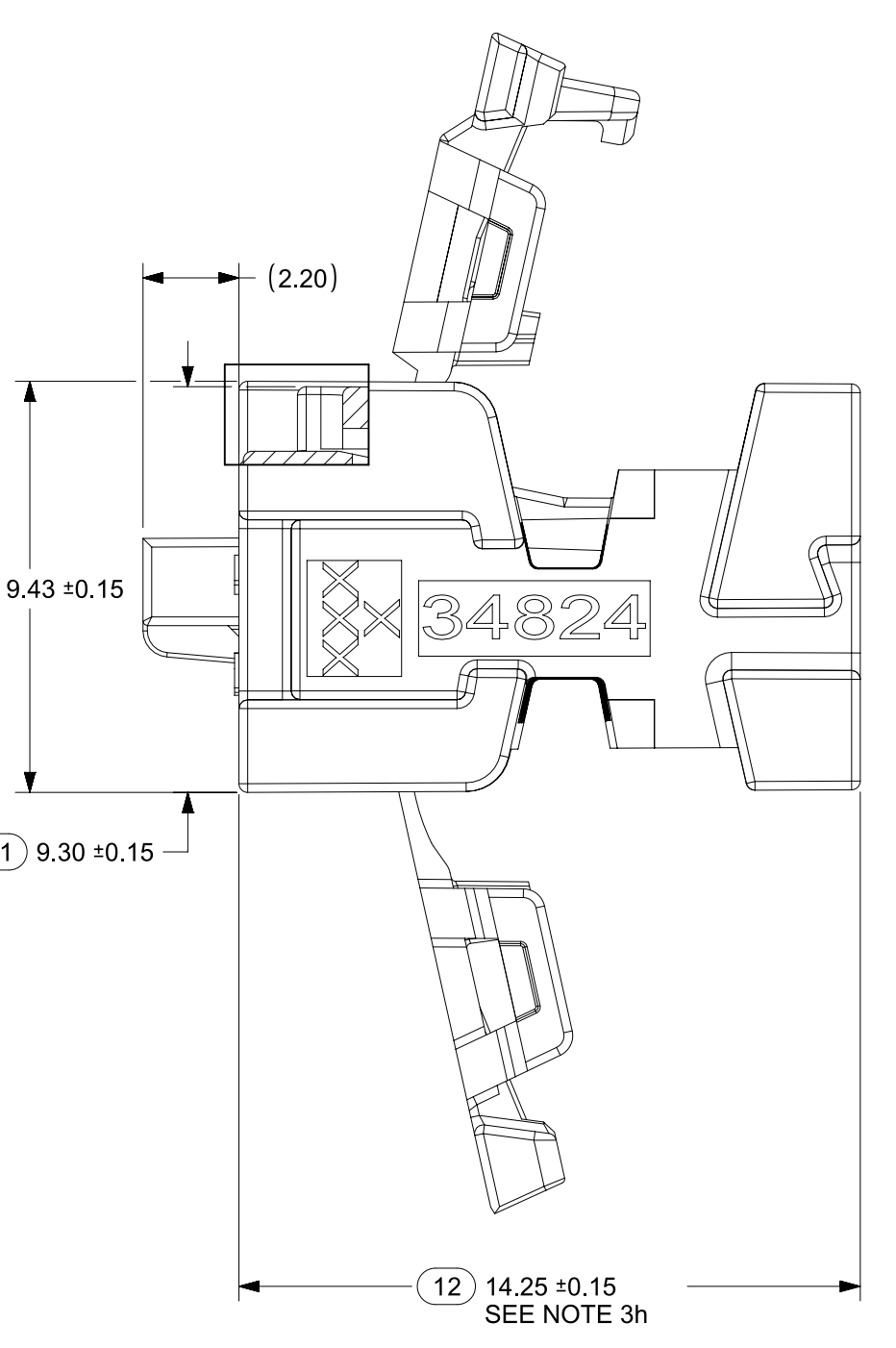
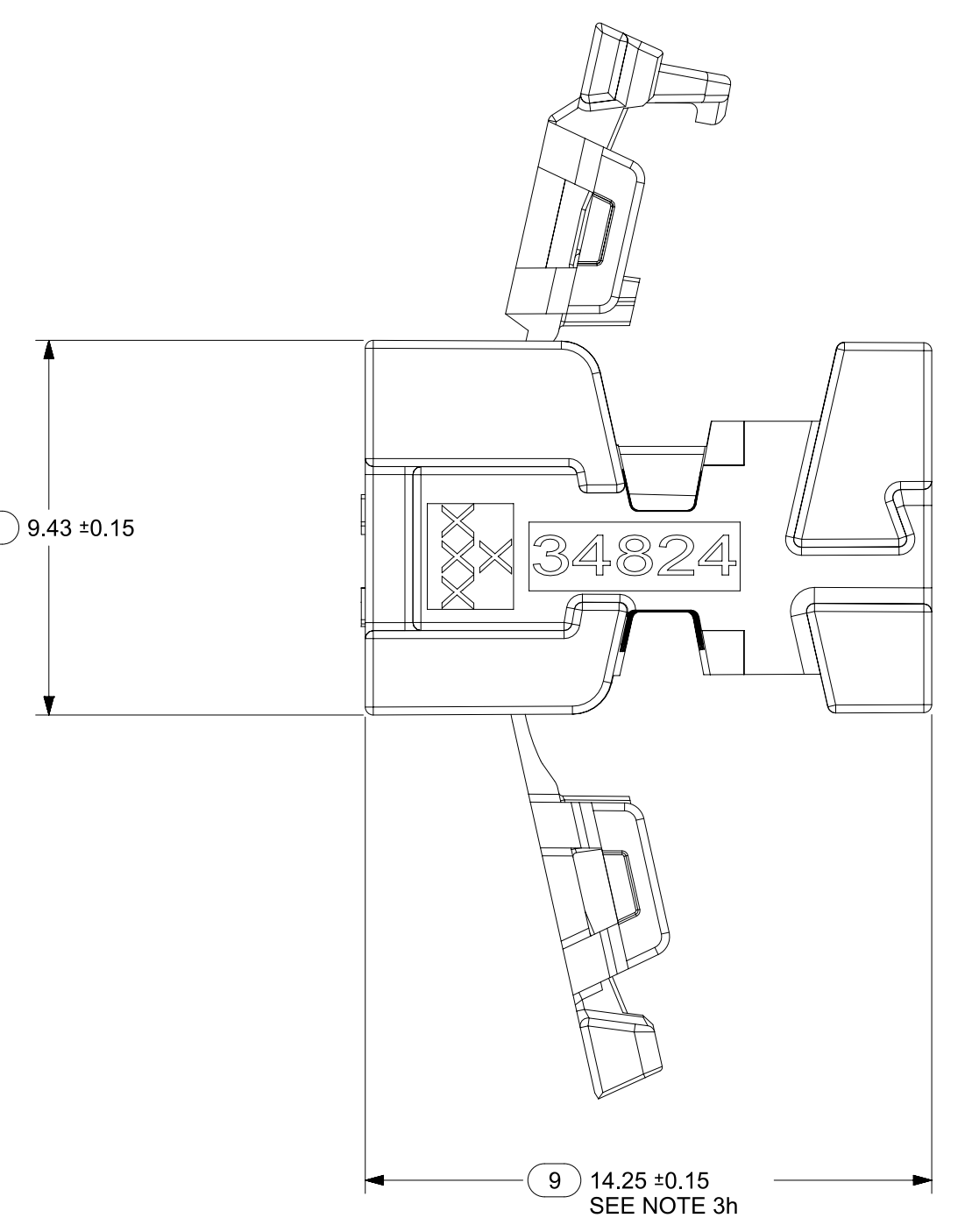
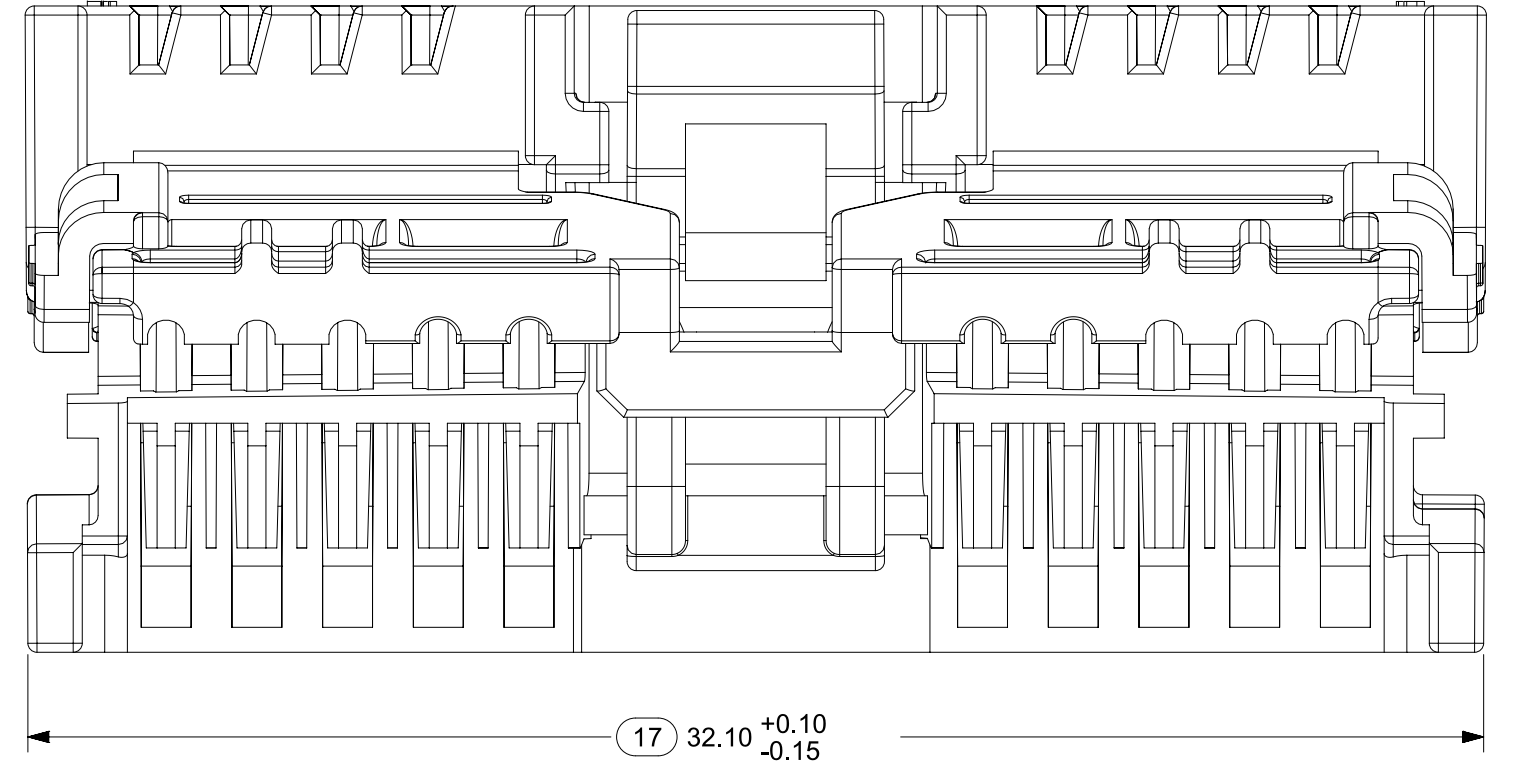
# 16 CIRCUIT



# 20 CIRCUIT



# 24 CIRCUIT



**PASS THRU DIM TABLE**

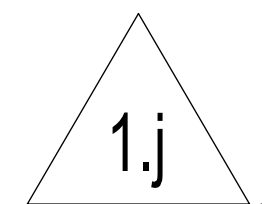
| CIRCUIT SIZE | DIM A |
|--------------|-------|
| 12           | 24.18 |
| 16           | 27.88 |
| 20           | 31.64 |
| 24           | 35.48 |

|   |   |                   |  |  |  |
|---|---|-------------------|--|--|--|
| <b>FUNCTIONAL SYMBOLS</b><br>A = 0<br>E = 0<br>F = 0<br><b>DIVISIONAL SYMBOLS</b> | THIS DRAWING CONTAINS INFORMATION THAT IS PROPRIETARY TO MOLEX ELECTRONIC TECHNOLOGIES, LLC AND SHOULD NOT BE USED WITHOUT WRITTEN PERMISSION |                   | <b>molex</b><br>MINI50 DUAL ROW RECEPTACLE SALES DWG                         |  |  |
|   | DIMENSION UNITS: <b>MM</b><br>SCALE: <b>6:1</b>   | CURRENT REV DESC: |  |  |  |
|   | GENERAL TOLERANCES (UNLESS SPECIFIED)<br>ANGULAR TOL ± 0.5°<br>4 PLACES ±<br>3 PLACES ±<br>2 PLACES ± 0.100<br>1 PLACE ± 0.20<br>0 PLACES ±   |                   | STATUS: Production<br>DRWN: Yann Chen<br>CHK'D: Gang Li<br>APPR: Colin Zhang | 2023-10-20<br>2023-10-25<br>2023-10-30         | DOCUMENT NUMBER: <b>SD-34824-002</b><br>DOC TYPE: PSD<br>DOC PART: 001<br>REVISION: <b>L9</b>            |
|   | DRAFT WHERE APPLICABLE MUST REMAIN WITHIN DIMENSIONS  |                   | THIRD ANGLE PROJECTION   | DRAWING: <b>E-SIZE</b><br>SERIES: <b>34824</b> | MATERIAL NUMBER: <b>GENERAL MARKET</b><br>CUSTOMER: <b>GENERAL MARKET</b><br>SHEET NUMBER: <b>2 OF 3</b> |



# MINI50 RECEPTACLES - PBT

| MATERIAL NUMBER<br>BULK PACKAGING<br>PK-31301-538 | LOCK BRIDGE | CIRCUIT | POL | COLOR     | MATERIAL | MATING COMPONENT                        |                                |                                |                                |                                |                                |
|---|-------------|---------|-----|-----------|----------|---|--------------------------------|--------------------------------|--------------------------------|--------------------------------|--------------------------------|
|   |             |         |     |           |          | SURFACE MOUNT TECHNOLOGY (SMT) HEADER   |                                | VERTICAL THRU HOLE HEADER      |                                | RIGHT ANGLE THRU HOLE HEADER   |                                |
|   |             |         |     |           |          | TAPE AND REEL PACKAGING<br>PK-31301-786 | TUBE PACKAGING<br>PK-31301-688 | TRAY PACKAGING<br>PK-31301-440 | TUBE PACKAGING<br>PK-31301-688 | TRAY PACKAGING<br>PK-31301-440 | TUBE PACKAGING<br>PK-31301-688 |
| 34824-0124  | NO          | 12      | A   | BLACK     | PBT      | 34897-8120                              | 34897-9120                     | 34825-0124                     | 34825-9124                     | 34826-0124                     | 34826-9124                     |
| 34824-0125  | NO          | 12      | B   | GRAY      |          | 34897-8121                              | 34897-9121                     | 34825-0125                     | 34825-9125                     | 34826-0125                     | 34826-9125                     |
| 34824-0126  | NO          | 12      | C   | DARK GRAY |          | 34897-8122                              | 34897-9122                     | 34825-0126                     | 34825-9126                     | 34826-0126                     | 34826-9126                     |
| 34824-1124  | YES         | 12      | A   | BLACK     |          | 34897-8120                              | 34897-9120                     | 34825-0124                     | 34825-9124                     | 34826-0124                     | 34826-9124                     |
| 34824-1125  | YES         | 12      | B   | GRAY      |          | 34897-8121                              | 34897-9121                     | 34825-0125                     | 34825-9125                     | 34826-0125                     | 34826-9125                     |
| 34824-1126  | YES         | 12      | C   | DARK GRAY |          | 34897-8122                              | 34897-9122                     | 34825-0126                     | 34825-9126                     | 34826-0126                     | 34826-9126                     |



# MINI50 RECEPTACLES - PA410

| MATERIAL NUMBER<br>BULK PACKAGING<br>PK-31301-538 | LOCK BRIDGE OPTION | CIRCUIT | POL | COLOR     | MATERIAL | MATING COMPONENT                      |                |                           |                   |                                |                                |
|---|--------------------|---------|-----|-----------|----------|---------------------------------------|----------------|---------------------------|-------------------|--------------------------------|--------------------------------|
|   |                    |         |     |           |          | SURFACE MOUNT TECHNOLOGY (SMT) HEADER |                | VERTICAL THRU HOLE HEADER |                   | RIGHT ANGLE THRU HOLE HEADER   |                                |
|   |                    |         |     |           |          | TAPE AND REEL<br>PACKAGING            | TUBE PACKAGING | TRAY<br>PACKAGING         | TUBE<br>PACKAGING | TRAY PACKAGING<br>PK-31301-440 | TUBE PACKAGING<br>PK-31301-688 |
| 34824-0164  | NO                 | 16      | A   | BLACK     | PA410    | 34897-8160                            | 34897-9160     | 34825-0160                | 34825-9160        | 34826-0160                     | 34826-9160                     |
| 34824-0165  | NO                 | 16      | B   | GRAY      |          | 34897-8161                            | 34897-9161     | 34825-0161                | 34825-9161        | 34826-0161                     | 34826-9161                     |
| 34824-0166  | NO                 | 16      | C   | DARK GRAY |          | 34897-8162                            | 34897-9162     | 34825-0162                | 34825-9162        | 34826-0162                     | 34826-9162                     |
| 34824-1164  | YES                | 16      | A   | BLACK     |          | 34897-8160                            | 34897-9160     | 34825-0160                | 34825-9160        | 34826-0160                     | 34826-9160                     |
| 34824-1165  | YES                | 16      | B   | GRAY      |          | 34897-8161                            | 34897-9161     | 34825-0161                | 34825-9161        | 34826-0161                     | 34826-9161                     |
| 34824-1166  | YES                | 16      | C   | DARK GRAY |          | 34897-8162                            | 34897-9162     | 34825-0162                | 34825-9162        | 34826-0162                     | 34826-9162                     |
| 34824-0204  | NO                 | 20      | A   | BLACK     |          | 34897-8200                            | 34897-9200     | 34825-0200                | 34825-9200        | 34826-0200                     | 34826-9200                     |
| 34824-0205  | NO                 | 20      | B   | GRAY      |          | 34897-8201                            | 34897-9201     | 34825-0201                | 34825-9201        | 34826-0201                     | 34826-9201                     |
| 34824-0206  | NO                 | 20      | C   | DARK GRAY |          | 34897-8202                            | 34897-9202     | 34825-0202                | 34825-9202        | 34826-0202                     | 34826-9202                     |
| 34824-1204  | YES                | 20      | A   | BLACK     |          | 34897-8200                            | 34897-9200     | 34825-0200                | 34825-9200        | 34826-0200                     | 34826-9200                     |
| 34824-1205  | YES                | 20      | B   | GRAY      |          | 34897-8201                            | 34897-9201     | 34825-0201                | 34825-9201        | 34826-0201                     | 34826-9201                     |
| 34824-1206  | YES                | 20      | C   | DARK GRAY |          | 34897-8202                            | 34897-9202     | 34825-0202                | 34825-9202        | 34826-0202                     | 34826-9202                     |
| 34824-0244  | NO                 | 24      | A   | BLACK     |          | 34897-8240                            | 34897-9240     | 34825-0240                | 34825-9240        | 34826-0240                     | 34826-9240                     |
| 34824-0245  | NO                 | 24      | B   | GRAY      |          | 34897-8241                            | 34897-9241     | 34825-0241                | 34825-9241        | 34826-0241                     | 34826-9241                     |
| 34824-0246  | NO                 | 24      | C   | DARK GRAY |          | 34897-8242                            | 34897-9242     | 34825-0242                | 34825-9242        | 34826-0242                     | 34826-9242                     |
| 34824-1244  | YES                | 24      | A   | BLACK     |          | 34897-8240                            | 34897-9240     | 34825-0240                | 34825-9240        | 34826-0240                     | 34826-9240                     |
| 34824-1245  | YES                | 24      | B   | GRAY      |          | 34897-8241                            | 34897-9241     | 34825-0241                | 34825-9241        | 34826-0241                     | 34826-9241                     |
| 34824-1246  | YES                | 24      | C   | DARK GRAY |          | 34897-8242                            | 34897-9242     | 34825-0242                | 34825-9242        | 34826-0242                     | 34826-9242                     |

|   |   |  |   |                        |        |   |  |                                      |                               |
|---|---|--|---|------------------------|--------|---|--|--------------------------------------|-------------------------------|
| <b>FUNCTIONAL SYMBOLS</b><br>= 0<br>= 0<br>= 0<br><b>DIVISIONAL SYMBOLS</b><br>4 PLACES ±<br>3 PLACES ±<br>2 PLACES ± 0.100<br>1 PLACE ± 0.20<br>0 PLACES ± | THIS DRAWING CONTAINS INFORMATION THAT IS PROPRIETARY TO MOLEX ELECTRONIC TECHNOLOGIES, LLC AND SHOULD NOT BE USED WITHOUT WRITTEN PERMISSION<br>DIMENSION UNITS: <b>MM</b> SCALE: <b>6:1</b> |  | CURRENT REV DESC:<br><br>STATUS: Production<br>DRWN: Yann Chen<br>CHK'D: Gang Li<br>APPR: Colin Zhang<br>2023-10-20<br>2023-10-25<br>2023-10-30 |                        |        |   |  |                                      |                               |
|   | GENERAL TOLERANCES (UNLESS SPECIFIED)<br>ANGULAR TOL ± 0.5°   |  |   |                        |        |   |  | MINI50 DUAL ROW RECEPTACLE SALES DWG |                               |
|   | DRAFT WHERE APPLICABLE MUST REMAIN WITHIN DIMENSIONS  |  |   | THIRD ANGLE PROJECTION | E-SIZE | SERIES<br><b>34824</b>  | MATERIAL NUMBER<br><b>SD-34824-002</b> | CUSTOMER<br><b>GENERAL MARKET</b>    | SHEET NUMBER<br><b>3 OF 3</b> |
|   |   |  |   |                        |        | PRODUCT SALES DRAWING<br>DOCUMENT NUMBER: <b>SD-34824-002</b>   DOC TYPE: <b>PSD</b>   DOC PART: <b>001</b>   REVISION: <b>L9</b> |  |                                      |                               |