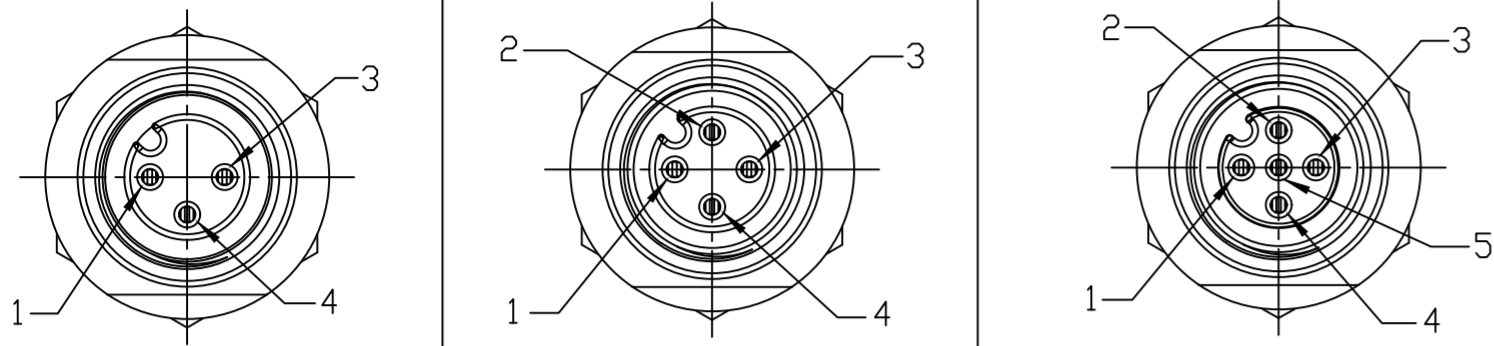


FACE VIEW - FEMALE INSERT



1 BROWN
3 BLUE
4 BLACK

1 BROWN
2 WHITE
3 BLUE
4 BLACK

1 BROWN
2 WHITE
3 BLUE
4 BLACK
5 GRAY

PART NUMBER LEGEND

8R3A00A18A1201

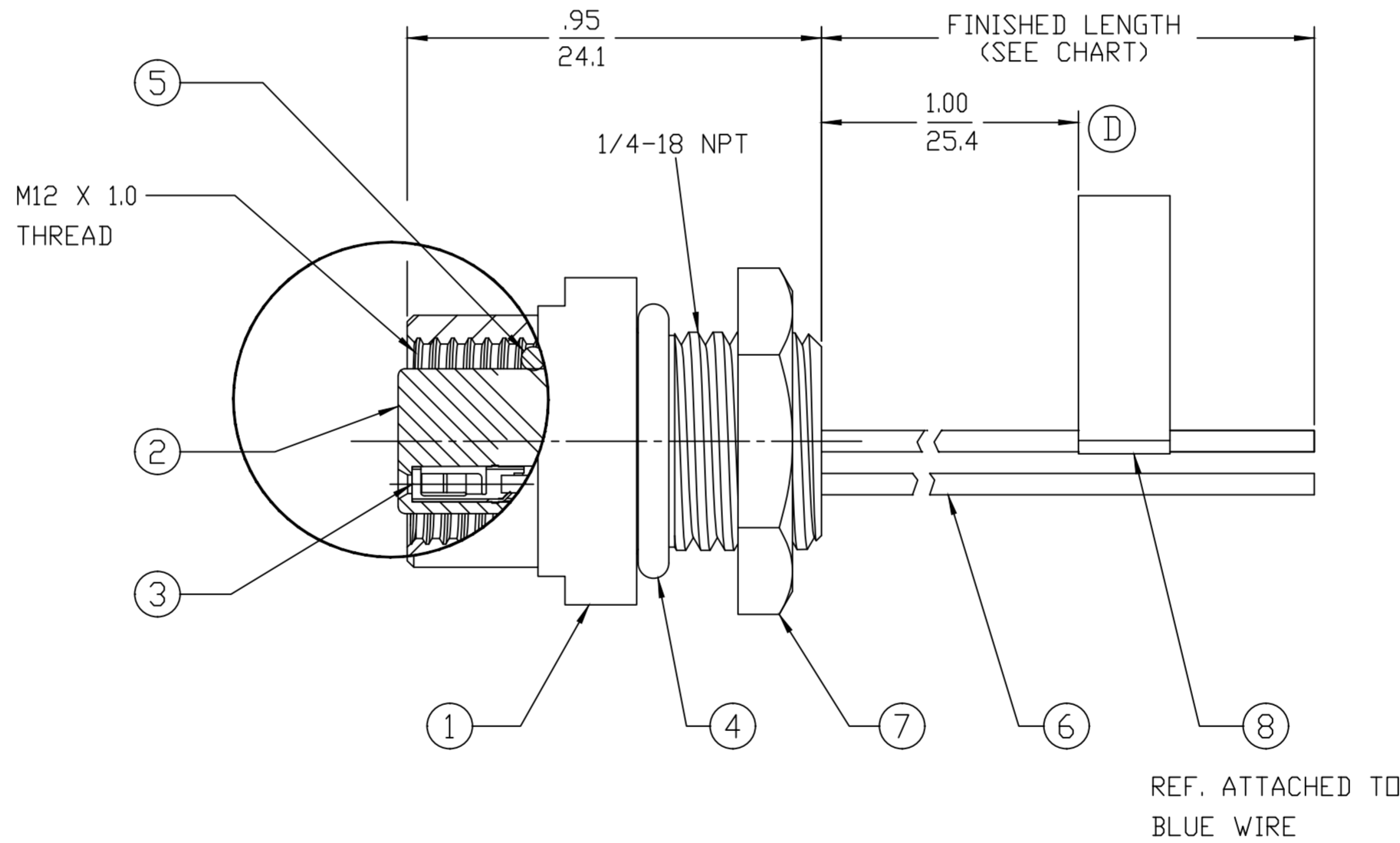
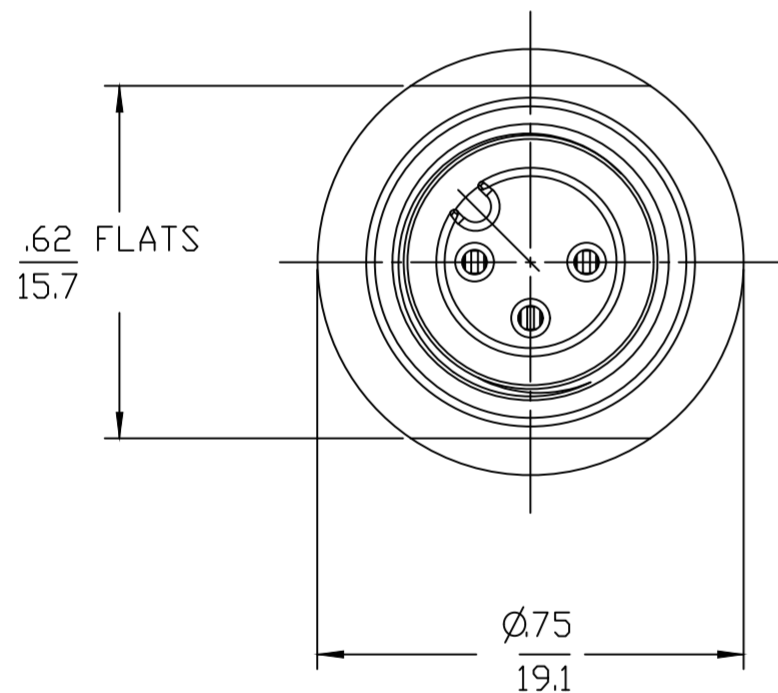
FINISHED LENGTH:
A120= 12 INCHES
M005= 0.5 METER
M010= 1 METER
M100= 10 METER

SHELL MATERIAL/FINISH
BLANK= ALUMINUM/BLACK ANODIZED
1 = 303 ST. STEEL
3 = BRASS/NICKEL PLATE
8 = 316 ST. STEEL

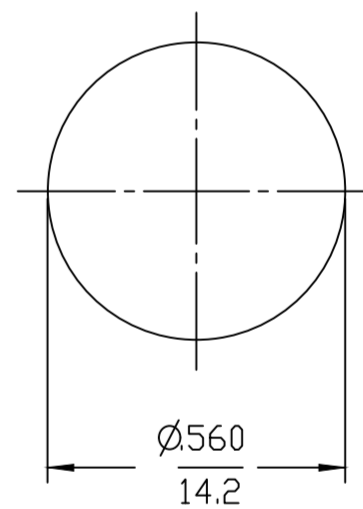
PART NUMBER	POLES	DESCRIPTION	FINISHED LENGTH
1200700056	3	8R3A00A18A120	12.0" +.75" -0 [0.3M +19.1MM -0]
1200700114	4	8R4A00A18A120	12.0" +.75" -0 [0.3M +19.1MM -0]
1200700201	5	8R5A00A18A120	12.0" +.75" -0 [0.3M +19.1MM -0]
1200700119	4	8R4A00A18M010	3.28' +2.19" -0 [1M +55.6MM -0]

NOTES:

- MATERIAL: SEE TABLE
- FINISHES: SEE TABLE
- ELECTRICAL SPECIFICATIONS
VOLTAGE RATING: 250V
CURRENT RATING: 4 AMPS
- PROTECTION: IP67 (WHEN MATED)
- DIMS SHOWN ARE FOR REFERENCE ONLY



REF. KNOCK-OUT HOLE



REF. ATTACHED TO
BLUE WIRE

FINAL ASSEMBLY
1200700056 (SHOWN)

8	FLAG LABEL	VINYL	BLACK/YELLOW
7	PANEL NUT	STEEL	ZINC PLATED
6	WIRE, 22-1	PVC INSULATED	SEE FACE VIEWS
5	O-RING (MATING)	VITON	RED
4	O-RING (PANEL)	NITRILE	BLACK
3	CONTACT SOCKET	Cu ALLOY	GOLD PLATED
2	INSERT, FEMALE	NYLON	BLACK
1	SHELL	SEE P/N LEGEND	SEE P/N LEGEND
ITEM	DESCRIPTION	MATERIAL	FINISH

CABLE LENGTH TOLERANCES

<.3M [1FT]:	+19mm-0 [+1.75in-0]
.3 - .9M [1 - 3FT]:	+44.5mm-0 [+1.75in-0]
.9 - 1.8M [3 - 6FT]:	+55.6mm-0 [+2.19in-0]
1.8 - 3.7M [6 - 12FT]:	+88.9mm-0 [+3.50in-0]
3.7 - 7.3M [12 - 24FT]:	+165.1mm-0 [+6.50in-0]
7.3-14.6M [24 - 48FT]:	+317.5mm-0 [+12.50in-0]
14.6 - 30.5M [48-100FT]:	+622.3mm-0 [+24.50in-0]
OVER 30M [100FT]:	+2% OF FINISHED LENGTH

FUNCTIONAL SYMBOLS									
FA=0	THIS DRAWING CONTAINS INFORMATION THAT IS PROPRIETARY TO MOLEX ELECTRONIC TECHNOLOGIES, LLC AND SHOULD NOT BE USED WITHOUT WRITTEN PERMISSION	DIMENSION UNITS		SCALE		CURRENT REV DESC: ADD NEW PN, UPDATE LENGTH PER MANUFACTURING DOC, ADD TOL BLOCK			
FC=0		INCH/MM		NTS					
FP=0		GENERAL TOLERANCES (UNLESS SPECIFIED)							
DIVISIONAL SYMBOLS		mm		INCH		EC NO: 690994			
		4 PLACES ±----		±----		DRWN: CCHRSTKA 2022/01/05			
		3 PLACES ±----		±----		CHK'D: RSTONE 2022/01/07			
		2 PLACES ±----		±----		APPR: BWOODMAN 2022/01/07			
		1 PLACE ±----		±----		INITIAL REVISION:			
		0 PLACES ±----		±----		DRWN: NKUMAR01 2009/08/27			
		ANGULAR TOL ± ---- °		±----		APPR: JFMURPHY 2009/08/28			
DRAFT WHERE APPLICABLE MUST REMAIN WITHIN DIMENSIONS		THIRD ANGLE PROJECTION		DRAWING		SERIES		DOCUMENT NUMBER	
		C-SIZE		120070		MATERIAL NUMBER		CUSTOMER	
						SEE TABLE		GENERAL MARKET	
								SHEET NUMBER	
								1 OF 1	