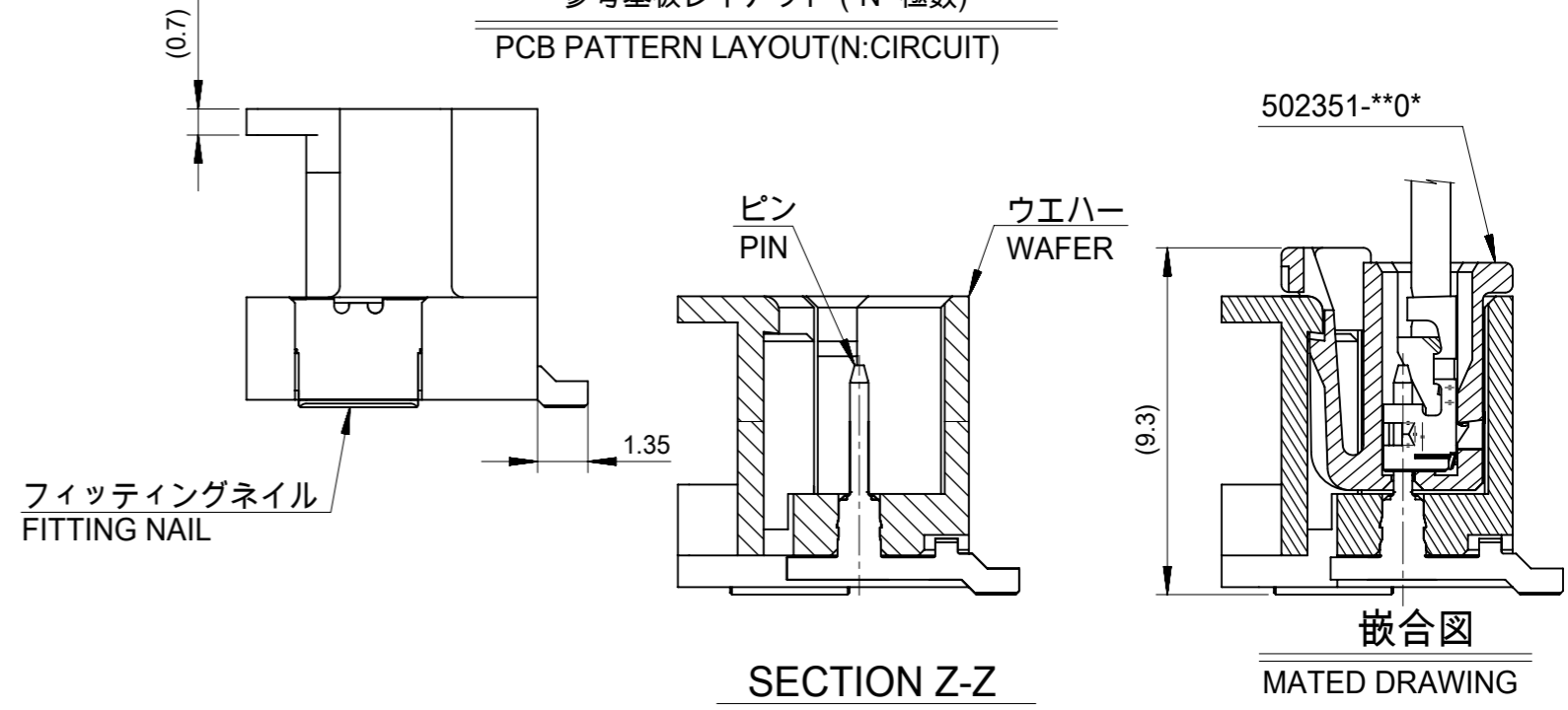
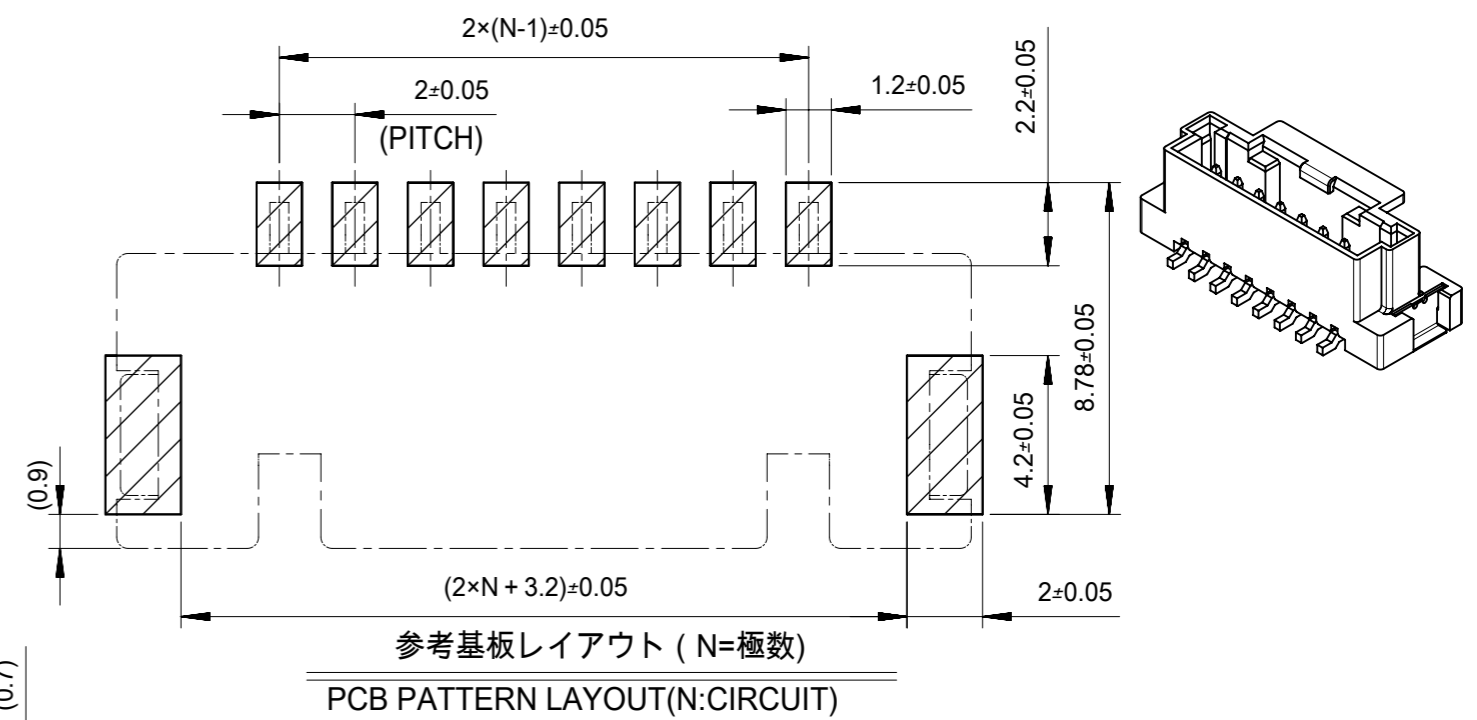


8CKTS



注記
NOTES

- 材質
ウエハー: 耐熱性ナイロン UL94V-0
ピン: 銅合金、ニッケル下地、錫メッキ、金メッキ
フィッティングネール: 銅合金、ニッケル下地、錫メッキ
MATERIAL
WAFER: POLYAMIDE UL94V-0
PIN: COPPER ALLOY, GOLD OR TIN OVER NICKEL PLATE.
FINNTING NAIL: COPPER ALLOY, TIN OVER NICKEL PLATE.
- 色: ナチュラル、黒、赤、青
COLOR: NATURAL, BLACK, RED, BLUE
- 嵌合相手:
ハウジング: 502351-**0*
錫メッキ端子: 50212-8*00, 50372-8*00, 560085-0101
金メッキ端子: 56161-8*81
MATES WITH
HOUSING: 502351-**0*
SN PLATING TERMINAL: 50212-8*00, 50372-8*00, 560085-0101
AU PLATING TERMINAL: 56161-8*81

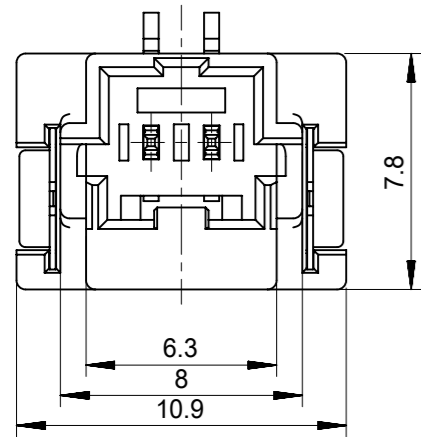
- インボス梱包品の詳細はSD-560020-002参照
DETAILED TAPING PACKAGE, SEE SD-560020-002
- 半田付け面のコプラナリティ: 0.1mm MAX.
CO-PLANARITY OF SOLDER TAILS TO BE 0.1mm MAX.
- 一般公差
GENERAL TOLERANCES
10 UNDER: ±0.2
10 OVER 30 UNDER: ±0.25
30 OVER: ±0.3
ANGULAR: ±1°

INITIAL REVISION:

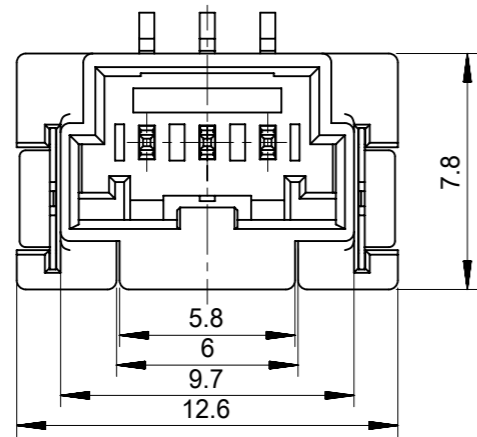
DRWN	SHSHIBATA	2009/02/18
CHECK	HKOMATSU	2009/02/18
APPR	AKANESHIGE	2009/02/18

FUNCTIONAL SYMBOLS	THIS DRAWING CONTAINS INFORMATION THAT IS PROPRIETARY TO MOLEX ELECTRONIC TECHNOLOGIES, LLC AND SHOULD NOT BE USED WITHOUT WRITTEN PERMISSION		CURRENT REV DESC:	
	FA=0	mm	SCALE	5:1
DIVISIONAL SYMBOLS	FE=0	GENERAL TOLERANCES (UNLESS SPECIFIED)		
	FP=0	4 PLACES	MM	INCH
		3 PLACES	±	±
		2 PLACES	±	±
		1 PLACE	±	±
		0 PLACES	±	±
		ANGULAR TOL	±	°
DRAFT WHERE APPLICABLE MUST REMAIN WITHIN DIMENSIONS		THIRD ANGLE PROJECTION		DRAWING
		A3-SIZE		SERIES
		560020		MATERIAL NUMBER
		GENERAL MARKET		CUSTOMER
		1 OF 4		SHEET NUMBER

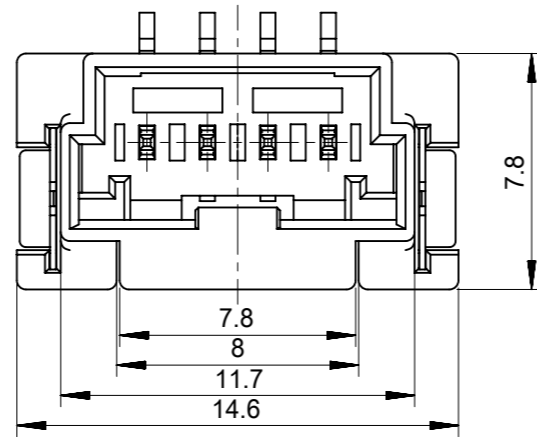
DOCUMENT STATUS	P1	RELEASE DATE	2020/04/06	00:33:42
-----------------	----	--------------	------------	----------



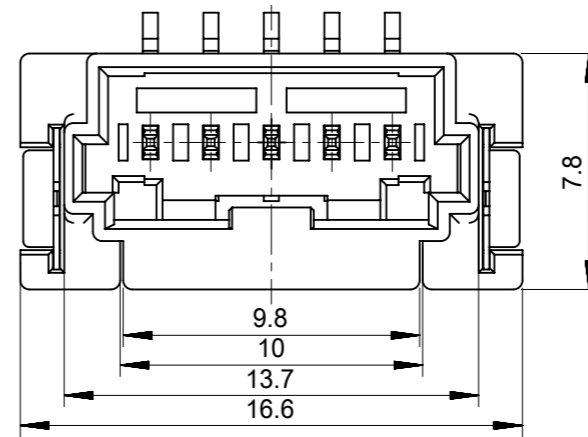
2CKTS



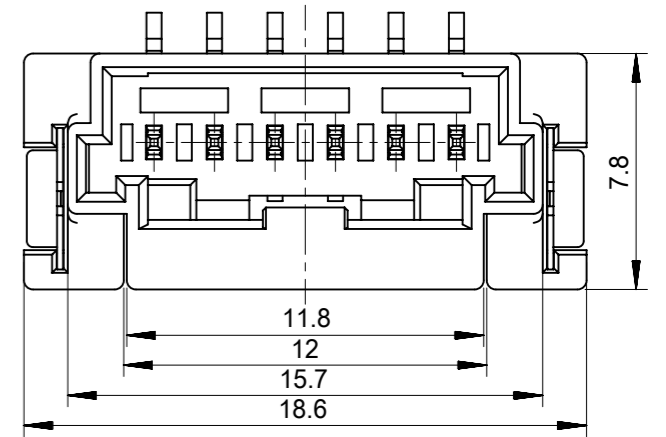
3CKTS



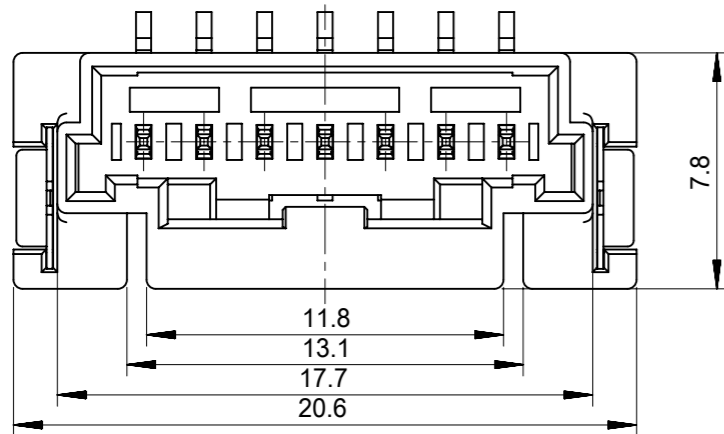
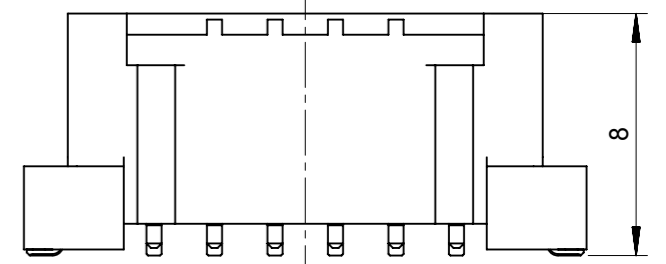
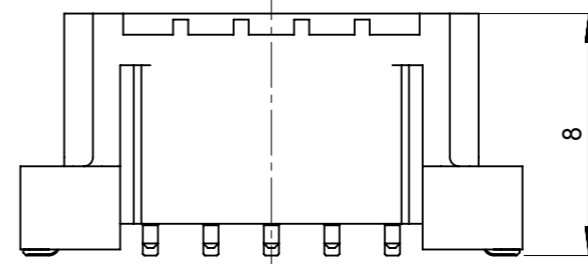
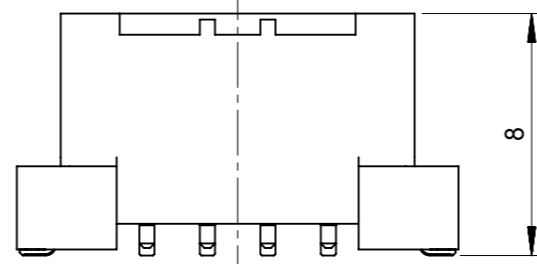
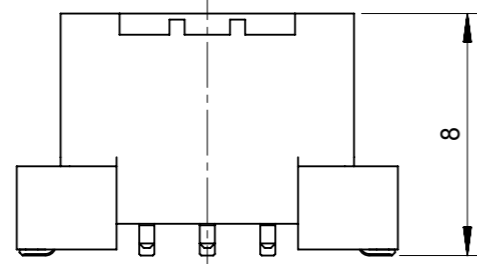
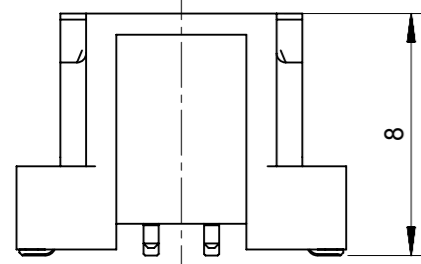
4CKTS



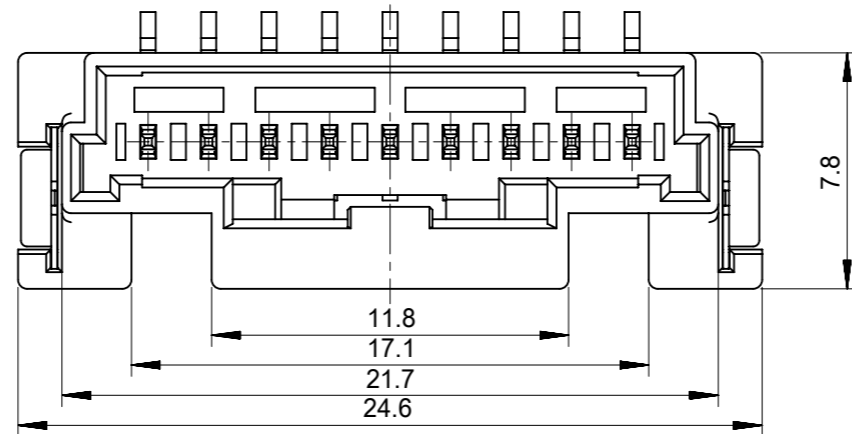
5CKTS



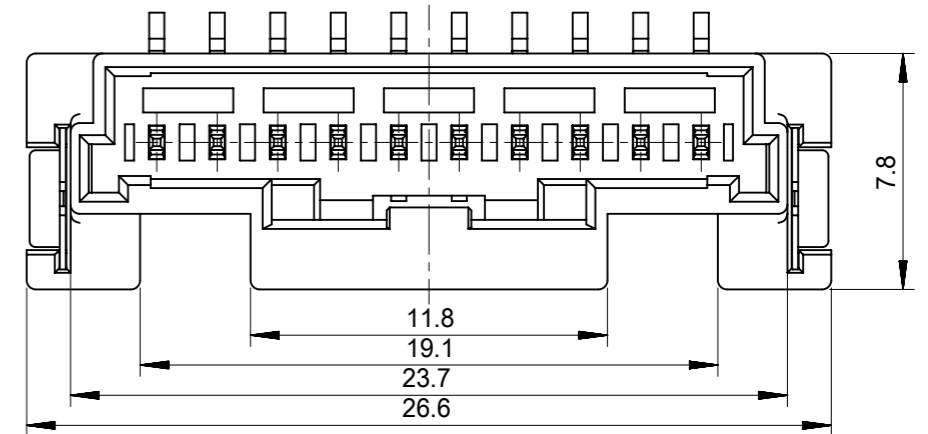
6CKTS



7CKTS



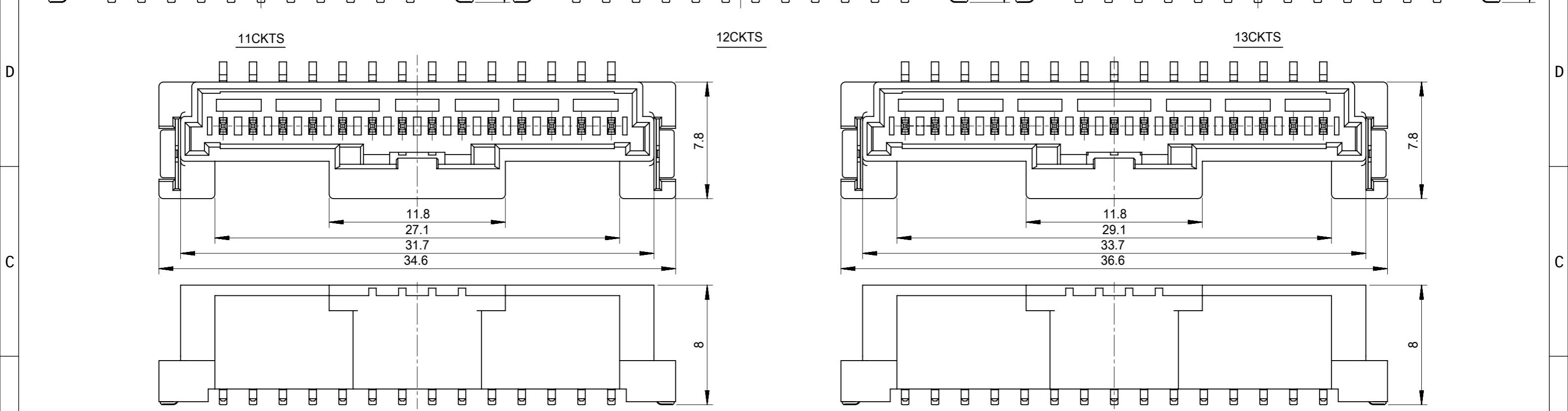
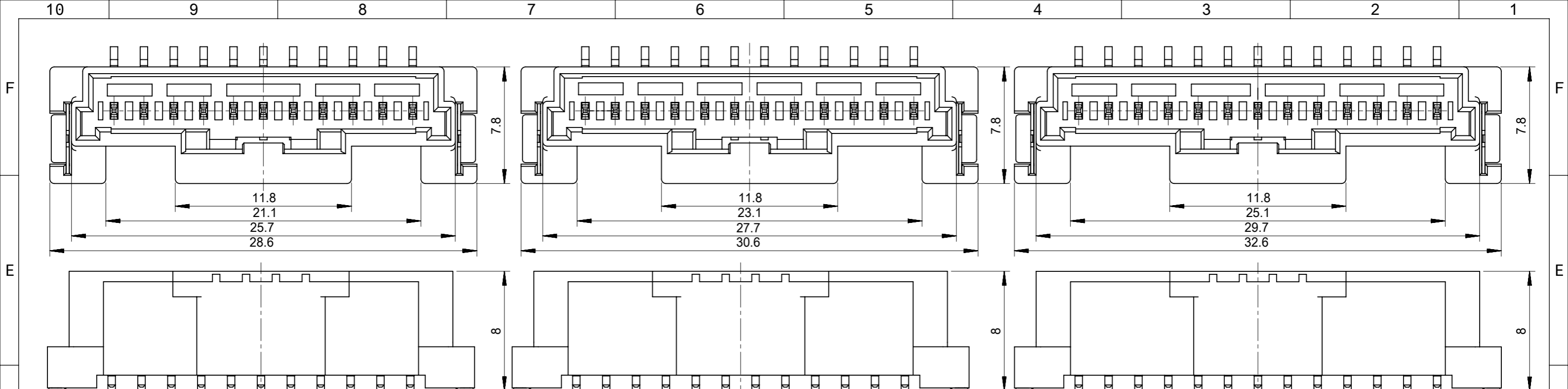
9CKTS



10CKTS

INITIAL REVISION:
 DRWN SHSHIBATA 2009/02/18
 CHECK HKOMATSU 2009/02/18
 APPR AKANESHIGE 2009/02/18

FUNCTIONAL SYMBOLS FA = 0 FB = 0 FC = 0	THIS DRAWING CONTAINS INFORMATION THAT IS PROPRIETARY TO MOLEX ELECTRONIC TECHNOLOGIES, LLC AND SHOULD NOT BE USED WITHOUT WRITTEN PERMISSION		CURRENT REV DESC:	
	DIMENSION UNITS mm	SCALE 4:1		
DIVISIONAL SYMBOLS	GENERAL TOLERANCES (UNLESS SPECIFIED)		EC NO: 635305	
	4 PLACES ±	MM INCH	DRWN: MUNEMOTO 2020/04/02	
	3 PLACES ±		CHK'D: HIJIMA 2020/04/03	
	2 PLACES ±		APPR: TOSADA 2020/04/06	
	1 PLACE ±		INITIAL REVISION:	
	0 PLACES ±		DRWN: DRAWN BY 0099/99/99	
	ANGULAR TOL ± °		APPR: APPR BY 0099/99/99	
DRAFT WHERE APPLICABLE MUST REMAIN WITHIN DIMENSIONS		THIRD ANGLE PROJECTION	DRAWING	SHEET NUMBER
			A3-SIZE	2 OF 4
		SERIES	MATERIAL NUMBER	CUSTOMER
		560020		GENERAL MARKET
		DOCUMENT NUMBER		DOC TYPE
		SD-560020-001		PSD
		DOC PART		REVISION
		001		K



DOCUMENT STATUS	P1	RELEASE DATE	2020/04/06	00:33:42
-----------------	----	--------------	------------	----------

INITIAL REVISION:
 DRWN SHSHIBATA 2009/02/18
 CHECK HKOMATSU 2009/02/18
 APPR AKANESHIGE 2009/02/18

FUNCTIONAL SYMBOLS FA = 0 FB = 0 FP = 0	THIS DRAWING CONTAINS INFORMATION THAT IS PROPRIETARY TO MOLEX ELECTRONIC TECHNOLOGIES, LLC AND SHOULD NOT BE USED WITHOUT WRITTEN PERMISSION		CURRENT REV DESC:		
	DIMENSION UNITS mm	SCALE 4:1	EC NO: 635305 DRWN: MUNEMOTO 2020/04/02 CHK'D: HIJIMA 2020/04/03 APPR: TOSADA 2020/04/06		
DIVISIONAL SYMBOLS	GENERAL TOLERANCES (UNLESS SPECIFIED)		INITIAL REVISION:		
	4 PLACES ±	MM INCH	DRWN: DRAWN BY 0099/99/99 APPR: APPR BY 0099/99/99		
DRAFT WHERE APPLICABLE MUST REMAIN WITHIN DIMENSIONS		THIRD ANGLE PROJECTION	DRAWING A3-SIZE	SERIES 560020	MATERIAL NUMBER SD-560020-001
MOLEX			2.0MM PITCH W/B CONN. WAFER ASSY ST. SMT		
PRODUCT CUSTOMER DRAWING			DOCUMENT NUMBER SD-560020-001	DOC TYPE PSD	DOC PART 001
			CUSTOMER GENERAL MARKET	REVISION K	SHEET NUMBER 3 OF 4

Sn NATURAL	11.8	29.1	33.7	36.6	560020-1520	15
	11.8	27.1	31.7	34.6	560020-1420	14
	11.8	25.1	29.7	32.6	560020-1320	13
	11.8	23.1	27.7	30.6	560020-1220	12
	11.8	21.1	25.7	28.6	560020-1120	11
	11.8	19.1	23.7	26.6	560020-1020	10
	11.8	17.1	21.7	24.6	560020-0920	9
	11.8	15.1	19.7	22.6	560020-0820	8
	11.8	13.1	17.7	20.6	560020-0720	7
	11.8	12	15.7	18.6	560020-0620	6
	9.8	10	13.7	16.6	560020-0520	5
	7.8	8	11.7	14.6	560020-0420	4
	5.8	6	9.7	12.6	560020-0320	3
	6.3	/	8.0	10.9	560020-0220	2
PLATING COLOR	D	C	B	A	EMBOSSED PACKAGE ORDER NO.	CKTS
CONNECTOR SERIES NO. 560020-**08						

Au NATURAL	11.8	29.1	33.7	36.6	560020-1530	15
	11.8	27.1	31.7	34.6	560020-1430	14
	11.8	25.1	29.7	32.6	560020-1330	13
	11.8	23.1	27.7	30.6	560020-1230	12
	11.8	21.1	25.7	28.6	560020-1130	11
	11.8	19.1	23.7	26.6	560020-1030	10
	11.8	17.1	21.7	24.6	560020-0930	9
	11.8	15.1	19.7	22.6	560020-0830	8
	11.8	13.1	17.7	20.6	560020-0730	7
	11.8	12	15.7	18.6	560020-0630	6
	9.8	10	13.7	16.6	560020-0530	5
	7.8	8	11.7	14.6	560020-0430	4
	5.8	6	9.7	12.6	560020-0330	3
	6.3	/	8.0	10.9	560020-0230	2
PLATING COLOR	D	C	B	A	EMBOSSED PACKAGE ORDER NO.	CKTS
CONNECTOR SERIES NO. 560020-**18						

Sn BLACK	11.8	29.1	33.7	36.6	560020-1521	15
	11.8	27.1	31.7	34.6	560020-1421	14
	11.8	25.1	29.7	32.6	560020-1321	13
	11.8	23.1	27.7	30.6	560020-1221	12
	11.8	21.1	25.7	28.6	560020-1121	11
	11.8	19.1	23.7	26.6	560020-1021	10
	11.8	17.1	21.7	24.6	560020-0921	9
	11.8	15.1	19.7	22.6	560020-0821	8
	11.8	13.1	17.7	20.6	560020-0721	7
	11.8	12	15.7	18.6	560020-0621	6
	9.8	10	13.7	16.6	560020-0521	5
	7.8	8	11.7	14.6	560020-0421	4
	5.8	6	9.7	12.6	560020-0321	3
	6.3	/	8.0	10.9	560020-0221	2
PLATING COLOR	D	C	B	A	EMBOSSED PACKAGE ORDER NO.	CKTS
CONNECTOR SERIES NO. 560020-**28						

Sn RED	/	/	/	/	/	15
	/	/	/	/	/	14
	/	/	/	/	/	13
	/	/	/	/	/	12
	/	/	/	/	/	11
	/	/	/	/	/	10
	/	/	/	/	/	9
	11.8	15.1	19.7	22.6	560020-0822	8
	/	/	/	/	/	7
	11.8	12	15.7	18.6	560020-0622	6
	/	/	/	/	/	5
	7.8	8	11.7	14.6	560020-0422	4
	5.8	6	9.7	12.6	560020-0322	3
	6.3	/	8.0	10.9	560020-0222	2
PLATING COLOR	D	C	B	A	EMBOSSED PACKAGE ORDER NO.	CKTS
CONNECTOR SERIES NO. 560020-**48						

Sn BLUE	/	/	/	/	/	15
	/	/	/	/	/	14
	/	/	/	/	/	13
	/	/	/	/	/	12
	/	/	/	/	/	11
	/	/	/	/	/	10
	/	/	/	/	/	9
	11.8	15.1	19.7	22.6	560020-0823	8
	/	/	/	/	/	7
	11.8	12	15.7	18.6	560020-0623	6
	/	/	/	/	/	5
	7.8	8	11.7	14.6	560020-0423	4
	5.8	6	9.7	12.6	560020-0323	3
	6.3	/	8.0	10.9	560020-0223	2
PLATING COLOR	D	C	B	A	EMBOSSED PACKAGE ORDER NO.	CKTS
CONNECTOR SERIES NO. 560020-**68						

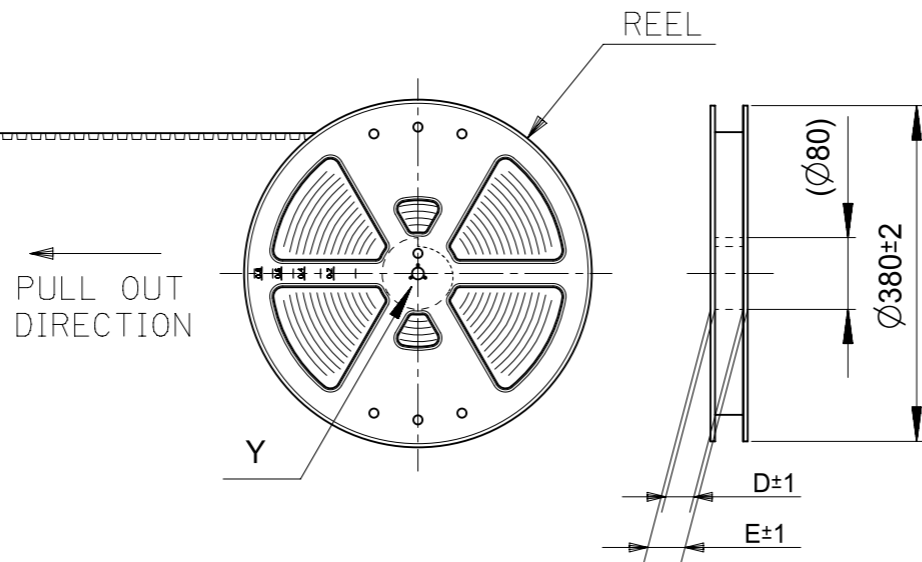
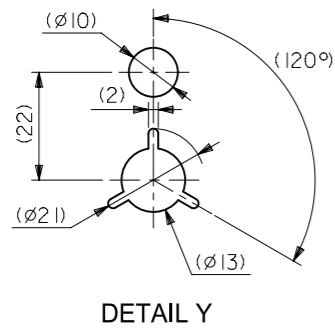
INITIAL REVISION:
 DRWN SHSHIBATA 2009/02/18
 CHECK HKOMATSU 2009/02/18
 APPR AKANESHIGE 2009/02/18

FUNCTIONAL SYMBOLS		THIS DRAWING CONTAINS INFORMATION THAT IS PROPRIETARY TO MOLEX ELECTRONIC TECHNOLOGIES, LLC AND SHOULD NOT BE USED WITHOUT WRITTEN PERMISSION	
FA=0	mm	SCALE 1:1	CURRENT REV DESC:
FE=0	GENERAL TOLERANCES (UNLESS SPECIFIED)		
FP=0	MM INCH		
DIVISIONAL SYMBOLS		4 PLACES ±	EC NO: 635305
		3 PLACES ±	DRWN: MUNEMOTO 2020/04/02
		2 PLACES ±	CHK'D: HIJIMA 2020/04/03
		1 PLACE ±	APPR: TOSADA 2020/04/06
		0 PLACES ±	INITIAL REVISION:
		ANGULAR TOL ± °	DRWN: DRAWN BY 0099/99/99
DRAFT WHERE APPLICABLE MUST REMAIN WITHIN DIMENSIONS		THIRD ANGLE PROJECTION	APPR: APPR BY 0099/99/99
		DRAWING A3-SIZE	SERIES 560020
		MATERIAL NUMBER	CUSTOMER GENERAL MARKET
		DOCUMENT NUMBER SD-560020-001	DOC TYPE PSD
		DOC PART 001	REVISION K
		SHEET NUMBER 4 OF 4	



2.0MM PITCH W/B CONN.
 WAFER ASSY ST. SMT

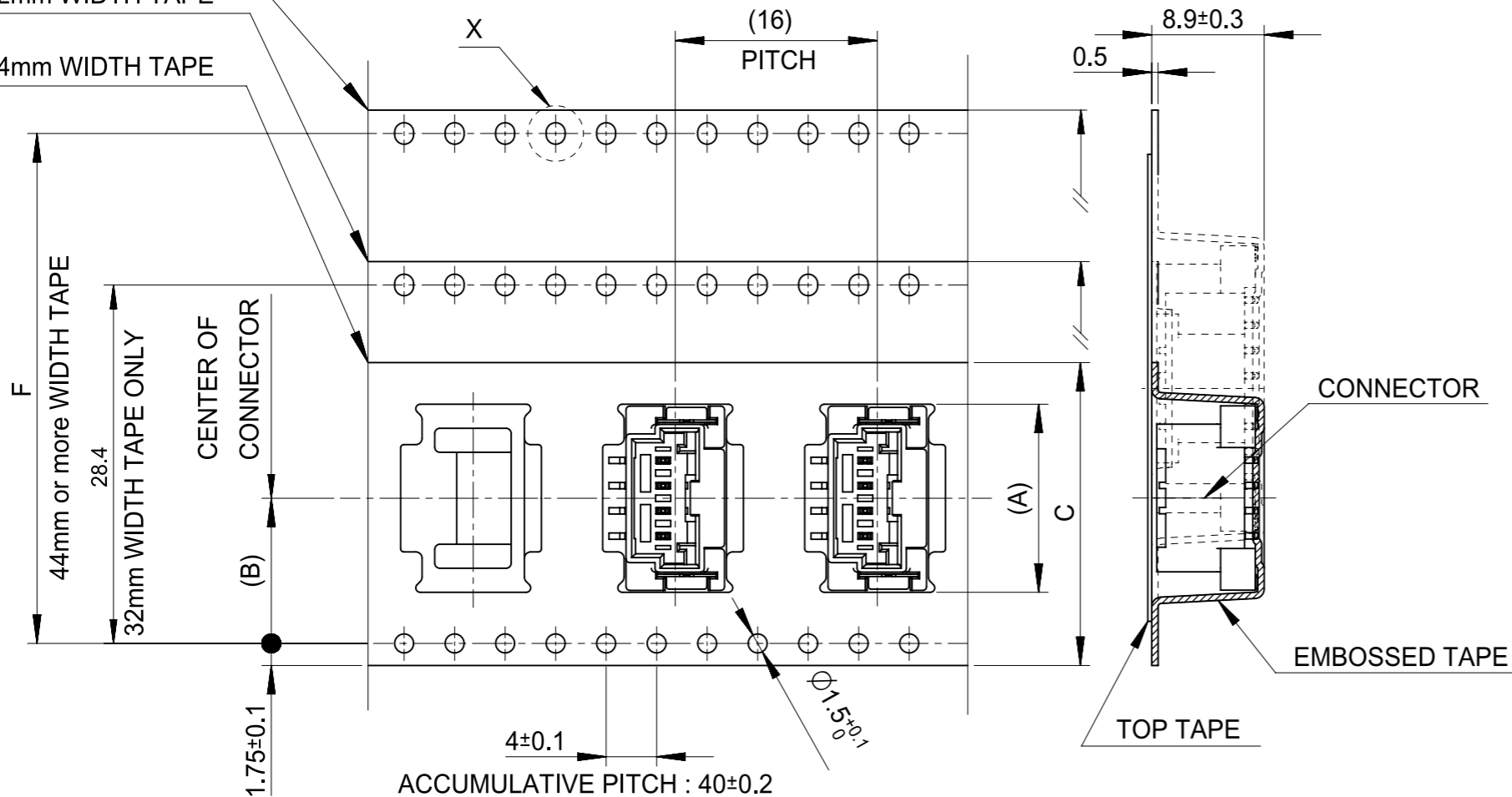
PRODUCT CUSTOMER DRAWING



44mm or more
WIDTH TAPE

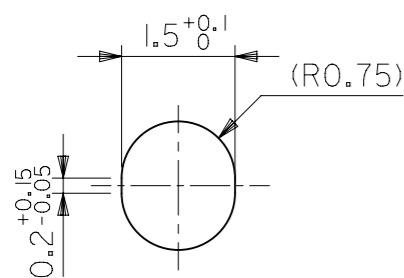
32mm WIDTH TAPE

24mm WIDTH TAPE



PULL OUT DIRECTION

DIRECTION OF CONNECTOR
IN EMBOSSED TAPE



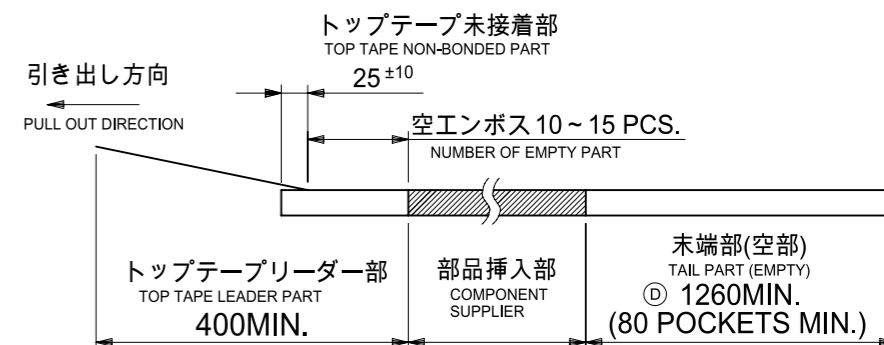
DETAIL X
(SCALE 10:1)

NOTES

- 製品番号:
 ナチュラル・錫めっき 560020-**20
 ナチュラル・金めっき 560020-**30
 黒・錫めっき 560020-**21
 赤・錫めっき 560020-**22
 青・錫めっき 560020-**23
 詳細寸法については、製品単体図面を参照ください。

- PART NO.
 NATURAL・Sn Plating 560020-**20
 NATURAL・Au Plating 560020-**30
 BLACK・Sn Plating 560020-**21
 RED・Sn Plating 560020-**22
 BLUE・Sn Plating 560020-**23
 SEE SALES DRAWING FOR CONNECTOR

- 梱包数量: 650個/REEL
 NUMBER OF CONNECTORS 650 PCS/REEL
- リードテープ長さ
 LEAD TAPE LENGTH



- 材料
 MATERIAL
 キャリアテープ: ポリスチレン
 CARRIER TAPE: POLYSTYRENE
 トップテープ: PET, PE, PEF
 TOP TAPE: PET, PE, PEF
 リール: ポリスチレン
 REEL: POLYSTYRENE

- 一般公差
 GENERAL TOLERANCES
 10 UNDER: ±0.2
 10 OVER 30 UNDER: ±0.25
 30 OVER: ±0.3
 ANGULAR: ±1°

FUNCTIONAL SYMBOLS	THIS DRAWING CONTAINS INFORMATION THAT IS PROPRIETARY TO MOLEX ELECTRONIC TECHNOLOGIES, LLC AND SHOULD NOT BE USED WITHOUT WRITTEN PERMISSION		CURRENT REV DESC:		molex						
	FA = 0	mm NTS							SCALE		
DIVISIONAL SYMBOLS	FE = 0	GENERAL TOLERANCES (UNLESS SPECIFIED)		PHASE:		2.0MM PITCH W/B ST. WAFER ASSY EMBOSSED TAPE PACKAGE					
	FP = 0	4 PLACES ±	MM	INCH	CO NO:	PRODUCT SALES DRAWING					
		3 PLACES ±			DRWN: Hideo Yoneyama	2023-10-23	DOCUMENT NUMBER				
		2 PLACES ±			CHK'D: Hiromichi Komatsu	2023-10-23	SD-560020-003		DOC TYPE	DOC PART	REVISION
		1 PLACE ±			APPR: Takashi Iida	2023-10-24	SEE CHART		PSD	001	F2
		0 PLACES ±			INITIAL REVISION:			MATERIAL NUMBER			
		ANGULAR TOL ± 0.5°			DRWN: YTAMAKI	2014/05/23	GENERAL MARKET		CUSTOMER		
		DRAFT WHERE APPLICABLE MUST REMAIN WITHIN DIMENSIONS		THIRD ANGLE PROJECTION	APPR: MAYAMAMOTO	2014/06/30	SEE CHART		GENERAL MARKET		
				DRAWING	SERIES		MATERIAL NUMBER		CUSTOMER		
				A3-SIZE	560020		SEE CHART		GENERAL MARKET		
						SHEET NUMBER		1 OF 2			

Sn NATURAL	52.4	61.4	57.4	56	26.2	36.9	560020-1520	15
						34.9	560020-1420	14
						32.9	560020-1320	13
	40.4	49.4	45.4	44	20.2	30.9	560020-1220	12
						28.9	560020-1120	11
						26.9	560020-1020	10
						24.9	560020-0920	09
						22.9	560020-0820	08
						20.9	560020-0720	07
	28.4	37.4	33.4	32	14.2	18.9	560020-0620	06
						16.9	560020-0520	05
						14.9	560020-0420	04
		29.4	25.4	24	11.5	12.9	560020-0320	03
11.2	560020-0220					02		
PLATING COLOR	F	E	D	C	(B)	(A)	エンボス梱包品 製品番号 EMBOSSED PACKAGE MATERIAL NO.	CIRCUITS

Au NATURAL	52.4	61.4	57.4	56	26.2	36.9	560020-1530	15
						34.9	560020-1430	14
						32.9	560020-1330	13
	40.4	49.4	45.4	44	20.2	30.9	560020-1230	12
						28.9	560020-1130	11
						26.9	560020-1030	10
						24.9	560020-0930	09
						22.9	560020-0830	08
						20.9	560020-0730	07
	28.4	37.4	33.4	32	14.2	18.9	560020-0630	06
						16.9	560020-0530	05
						14.9	560020-0430	04
		29.4	25.4	24	11.5	12.9	560020-0330	03
11.2	560020-0230					02		
PLATING COLOR	F	E	D	C	(B)	(A)	エンボス梱包品 製品番号 EMBOSSED PACKAGE MATERIAL NO.	CIRCUITS

Sn BLACK	52.4	61.4	57.4	56	26.2	36.9	560020-1521	15
						34.9	560020-1421	14
						32.9	560020-1321	13
	40.4	49.4	45.4	44	20.2	30.9	560020-1221	12
						28.9	560020-1121	11
						26.9	560020-1021	10
						24.9	560020-0921	09
						22.9	560020-0821	08
						20.9	560020-0721	07
	28.4	37.4	33.4	32	14.2	18.9	560020-0621	06
						16.9	560020-0521	05
						14.9	560020-0421	04
		29.4	25.4	24	11.5	12.9	560020-0321	03
11.2	560020-0221					02		
PLATING COLOR	F	E	D	C	(B)	(A)	エンボス梱包品 製品番号 EMBOSSED PACKAGE MATERIAL NO.	CIRCUITS

Sn RED	/	/	/	/	/	/	/	15
	/	/	/	/	/	/	/	14
	/	/	/	/	/	/	/	13
	40.4	49.4	45.4	44	20.2	/	/	12
						/	/	11
						/	/	10
						/	/	09
						22.9	560020-0822	08
						/	/	07
	28.4	37.4	33.4	32	14.2	18.9	560020-0622	06
						/	/	05
						14.9	560020-0422	04
		29.4	25.4	24	11.5	12.9	560020-0322	03
11.2	560020-0222					02		
PLATING COLOR	F	E	D	C	(B)	(A)	エンボス梱包品 製品番号 EMBOSSED PACKAGE MATERIAL NO.	CIRCUITS

Sn BLUE	/	/	/	/	/	/	/	15
	/	/	/	/	/	/	/	14
	/	/	/	/	/	/	/	13
	40.4	49.4	45.4	44	20.2	/	/	12
						/	/	11
						/	/	10
						/	/	09
						22.9	560020-0823	08
						/	/	07
	28.4	37.4	33.4	32	14.2	18.9	560020-0623	06
						/	/	05
						14.9	560020-0423	04
		29.4	25.4	24	11.5	12.9	560020-0323	03
11.2	560020-0223					02		
PLATING COLOR	F	E	D	C	(B)	(A)	エンボス梱包品 製品番号 EMBOSSED PACKAGE MATERIAL NO.	CIRCUITS

FUNCTIONAL SYMBOLS	THIS DRAWING CONTAINS INFORMATION THAT IS PROPRIETARY TO MOLEX ELECTRONIC TECHNOLOGIES, LLC AND SHOULD NOT BE USED WITHOUT WRITTEN PERMISSION		CURRENT REV DESC:		molex
$\nabla_A = 0$ $\nabla_F = 0$ $\nabla_P = 0$	DIMENSION UNITS	SCALE	PHASE:		
	mm	NTS	CO NO:		
	GENERAL TOLERANCES (UNLESS SPECIFIED)		DRWN: Hideo Yoneyama 2023-10-23		PRODUCT SALES DRAWING
	MM INCH		CHK'D: Hiromichi Komatsu 2023-10-23		
DIVISIONAL SYMBOLS	4 PLACES ±	±	APPR: Takashi Iida 2023-10-24		DOCUMENT NUMBER
	3 PLACES ±	±	INITIAL REVISION:		
	2 PLACES ±	±	DRWN: YTAMAKI 2014/05/23		SD-560020-003
	1 PLACE ±	±	APPR: MAYAMAMOTO 2014/06/30		
	0 PLACES ±	±	ANGULAR TOL ± 0.5°		DOC TYPE
	DRAFT WHERE APPLICABLE MUST REMAIN WITHIN DIMENSIONS		THIRD ANGLE PROJECTION	DRAWING	DOC PART
				A3-SIZE	REVISION
			SERIES	MATERIAL NUMBER	CUSTOMER
			560020	SEE CHART	GENERAL MARKET
					SHEET NUMBER
					2 OF 2